

LINHAI 500 ATV - 9054031 & 9054032

Reservedele
Spareparts



P.Lindberg

INDHOLDSFORTEGNELSE / INDEX

- Fig 1: Styr / handlebar
Fig 2: Brændstoftank / fuel tank
Fig 3: Ophæng, bag / rear fenders
Fig 4: Stel, forrest / front body and frame
Fig 5: Støddæmper, front / shock absorber, front
Fig 6: Bærearml, bag / rear arm
Fig 7: For- og baghjul / front and rear wheel
Fig 8: Gearkasse, front og bag / front and rear gearbox
Fig 9: Skiftestang / shift rod
Fig 10: Venstre drivaksel, front (4WD) / front left drive axle (4WD)
Fig 11: Højre drivaksel, front (4WD) / front right drive axle (4WD)
Fig 12: Venstre drivaksel, bag / rear left drive axle
Fig 13: Venstre drivaksel, bag (XL) / rear left drive axle (XL)
Fig 14: Højre drivaksel, bag / rear right drive axle
Fig 15: Højre drivaksel, bag (XL) / rear right drive axle (XL)
Fig 16: Spindel, front og bag / front and rear knuckle assy
Fig 17: Ratstamme / steering column
Fig 18: Elektrisk system / electrical system
Fig 19: Bremsesystem / brake system
Fig 20: Bremsekaliber, højre - front & bag / brake caliper, right - front & rear
Fig 21: Bremsekaliber, venstre - front & bag / brake caliper, left - front & rear
Fig 22: Parkeringsbremse / auxiliary brake
Fig 23: Bremsepædal / pedal brake
Fig 24: Kofanger og stel / bumper and rack
Fig 25: Motor / engine
Fig 26: Gearkasse, front / gearbox, front
Fig 27: Gearkasse, gammel model / gearbox, old model
Fig 28: Gearkasse, bag - ny model / gearbox, rear - new model
Fig 29: Hovedcylinder / cylinder head cover
Fig 30: Hovedcylinder / cylinder head
Fig 31: Krumtapaksel / crankshaft
Fig 32: Cylinder / cylinder
Fig 33: Krumtapaksel / crankshaft
Fig 34: Krumtapaksel (ny model) / crankshaft (new model)
Fig 35: Venstre krumtaphus / left crankcase
Fig 36: Højre krumtaphus / right crankcase
Fig 37: CVT hus / CVT housing
Fig 38: CVT cover / CVT cover
Fig 39: Venstre krumtaphus cover / left crankcase cover
Fig 40: Venstre krumtaphus cover, ny / left crankcase cover, new
Fig 41: Generator / generator
Fig 42: Starter (elektrisk) / electric starter
Fig 43: Kobling / clutch
Fig 44: Transmission I / transmission I
Fig 45: Transmission II / transmission II
Fig 46: Transmission III / transmission III
Fig 47: Oliepumpe / oil pump
Fig 48: Vandpumpe / water pump
Fig 49: Cover, venstre side / left side cover
Fig 50: Cover, venstre side, ny / left side cover, new
Fig 51: Karburator / carburetor
Fig 52: Oliekøler / oil radiator
Fig 53: CVT luftkøler / CVT air shroud
Fig 54: Luftfilter / air cleaner
Fig 55: Udstødning / exhaust
Fig 56: Køler / radiator
Fig 57: Tilbehør / accessories

Fig. 1: Styr / handlebar

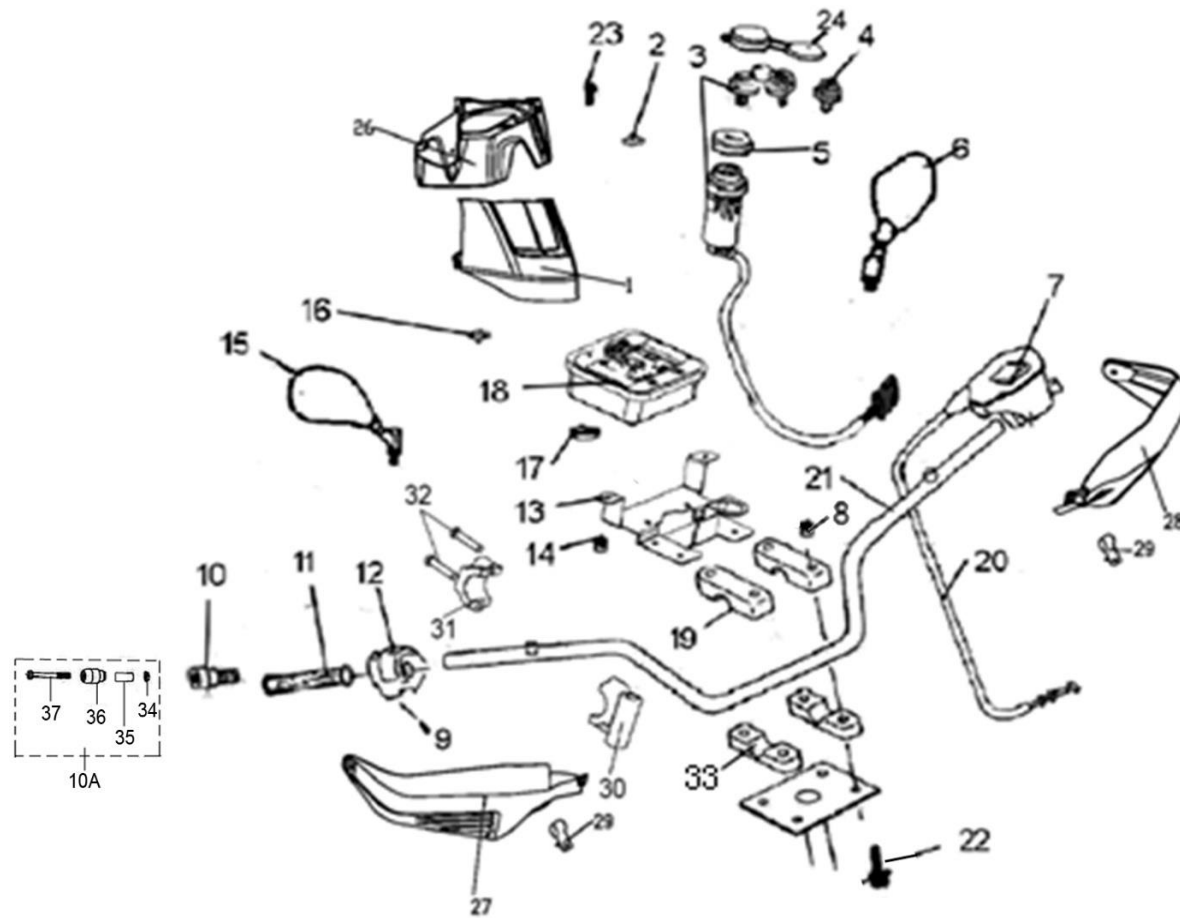


Fig. 1: Styr / handlebar

Ref. no.	PL nr / art. no.	Varenavn	Art. name	OE no.	Antal / pcs
1	9045059	Speedometerhus for	Front speedometer cover	27415	1
2	9030698	Kontakt for katastrofeblink	Emergency switch	70425	1
3	9045060	Tændingslås med nøgle (vandtæt)	Ignition switch w/key (waterproof)	27457	1
4	N/A	Pin	Key blank	25003	1
5	9039404	Møtrik for tændingskontakt	Nut, threaded	25004	1
6	9030482	Sidespejl, højre	Rear view mirror, right	30117	1
7	9057109	Gasregulering (m/2WD/4WD kontakt)	Throttle control (w/2WD & 4WD switch)	35072	1
8	9050207	Møtrik M8	Nut M8	10079	4
9	9050220	Bolt M6x16	Bolt M6x16	10140	1
10	9030037	Styr endestykke	Grip end	30119	2
10a	9054232	Styr endestykke (Ny type styr)	New guard, handlebar end assy	72037	2
11	9057110	Håndtag	Grip	35005	2
12	9057111	Kontakt, komplet	Switch assy	35090	1
13	9037382	Speedometerbeslag	Speedometer bracket	25008	1
14	9050206	Møtrik M6	Nut M6	10004	2
15	9030483	Sidespejl, venstre	Rear view mirror, left	30118	1
16	9057112	Cover f/speedometer	Speedometer cover cap	25010	1
17	N/A	Gummiskive	Rubber washer	70447	2
18	N/A	LCD speedometer	LCD speedometer	35089	1
19	9057113	Clamp t/styr	Clamp f/handlebar	20112a	2
20	9057114	Gaskabel	Throttle cable	35073	1
21	9057115	Styr	Handlebar	35007	1
21	9057116	Styr (ny model)	Handlebar (new model)	35007a	1
22	9050236	Bolt M8x70	Bolt M8x70	10531	4
23	9049325	Skrue M6x12	Screw M6x12	25013	2
24	9039406	Dæksel for tændingskontakt	Ignition switch cover	27257	1
26	9045061	Speedometerhus bag	Rear speedometer cover	27416	1
27	9045062	Håndbeskytter højre	Handlebar cover, right	27417	1
28	9045063	Håndbeskytter venstre	Handlebar cover, left	27418	1
29	9045064	Clamps for håndbeskytter	Handle cover installation belt	27419	2
30	9045065	Spejlbeslag øverst	Up holder, rear view mirror	25525	1
31	9045066	Spejlbeslag nederst	Down holder, rear view mirror	25526	1
32	9050221	Bolt M6x20	Bolt M6x20	10008	2
33	9057117	Overfald/clamp t/styr	Handlebar down clamp	70703	2
34	9050206	Møtrik M6	Nut M6	10913	2
35	N/A	Spændeblok	Tensioning block	72035	2
36	N/A	Afbalanceringsvægt	Balance weight	72036	2
37	9050226	Skrue M6x70	Screw, M6x70	10940	2

Fig. 2: Brændstoftank / fuel tank

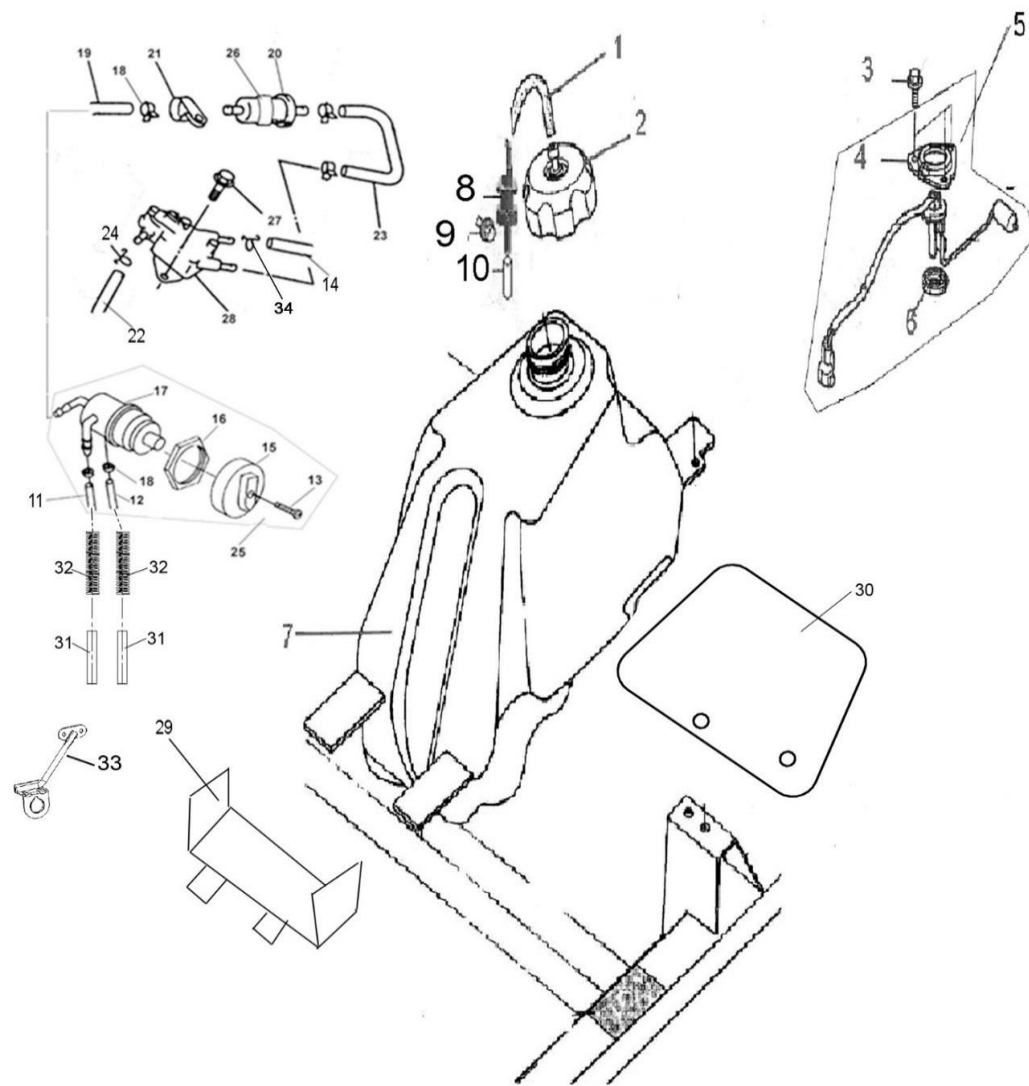


Fig. 2: Brændstoftank / fuel tank

Ref. no.	PL nr / art. no.	Varenavn	Art. name	OE no.	Antal / pcs
1	N/A	Oliespild rør	Tube, fuel cap breather	28095	1
2	9030701	Tankdæksel	Fuel cap	70725	1
3	9050220	Bolt M6x16	Bolt, M6x16	10183	4
4	N/A	Plade	Plate, unit set	35085	1
5	N/A	Brændstof unit	Fuel unit set, assy	35084	1
6	9057118	Pakning, base	Gasket, base	35086	1
7	9057119	Brændstoftank	Fuel tank	35021	1
8	N/A	Ventil f/brændstoftank	Valve, fuel tank	710.021	1
9	N/A	Bolt, M5x10	Bolt, M5x10	10820	1
10	N/A	Rør	Tube	70734	1
11	N/A	Brændstofs slange, 11	Fuel line, 11	35022	1
12	N/A	Brændstofs slange, 12	Fuel line, 22	35023	1
13	9034625	Skrue M4	Screw M4	10007	1
14	N/A	Rør	Pipe	35025	1
15	9029745	Knap for benzinbane sort	Fuel control knob	20215a	1
16	N/A	Møtrik	Nut	20216	1
17	9030040	Benzinbane	Fuel valve	20217	1
18	9049279	Spændebånd	Hoseclamp	20218	9
19	N/A	Brændstofs slange, 2	Fuel line 2	20219	1
19	N/A	Brændstofs slange, 1	Fuel line 1	36140	1
20	N/A	Brændstoffilter dup	Fuel filter pad	20220	1
21	9049545	Clamp	Clamp	20221	1
22	N/A	Brændstofs slange, 3	Fuel line 3	35024	1
23	N/A	Brændstofs slange, 2	Fuel line 2	35525	1
24	N/A	Spændebånd, Ø11,3	Hoseclamp, Ø11,3	40706	7
25	9030042	Benzinbane sort	Fuel valve assy	20225a	1
26	N/A	Brændstoffilter	Fuel filter pad	20226	1
27	9042723	Bolt M6x12	Bolt M6x12	10140	2
28	9029750	Benzinpumpe	Fuel pump, assy	20228	1
29	N/A	Beslag, sæde	Mounting bracket, assy	35380	1
30	N/A	Brændstoftank, isolerende film	Fuel tank adiabatic pellicle	35520	1
31	N/A	Brændstofs slange, isolerende film	Fuel line adiabatic pellicle	35521	2
32	N/A	Fjeder	Fuel line spring	35522	2
33	N/A	Beslag, brændstofsventil	Bracket, fuel valve	36141	1
34	N/A	Spændebånd, Ø9,8	Hoseclamp, Ø9,8	36001	2

Fig. 3: Ophæng, bag / rear fenders

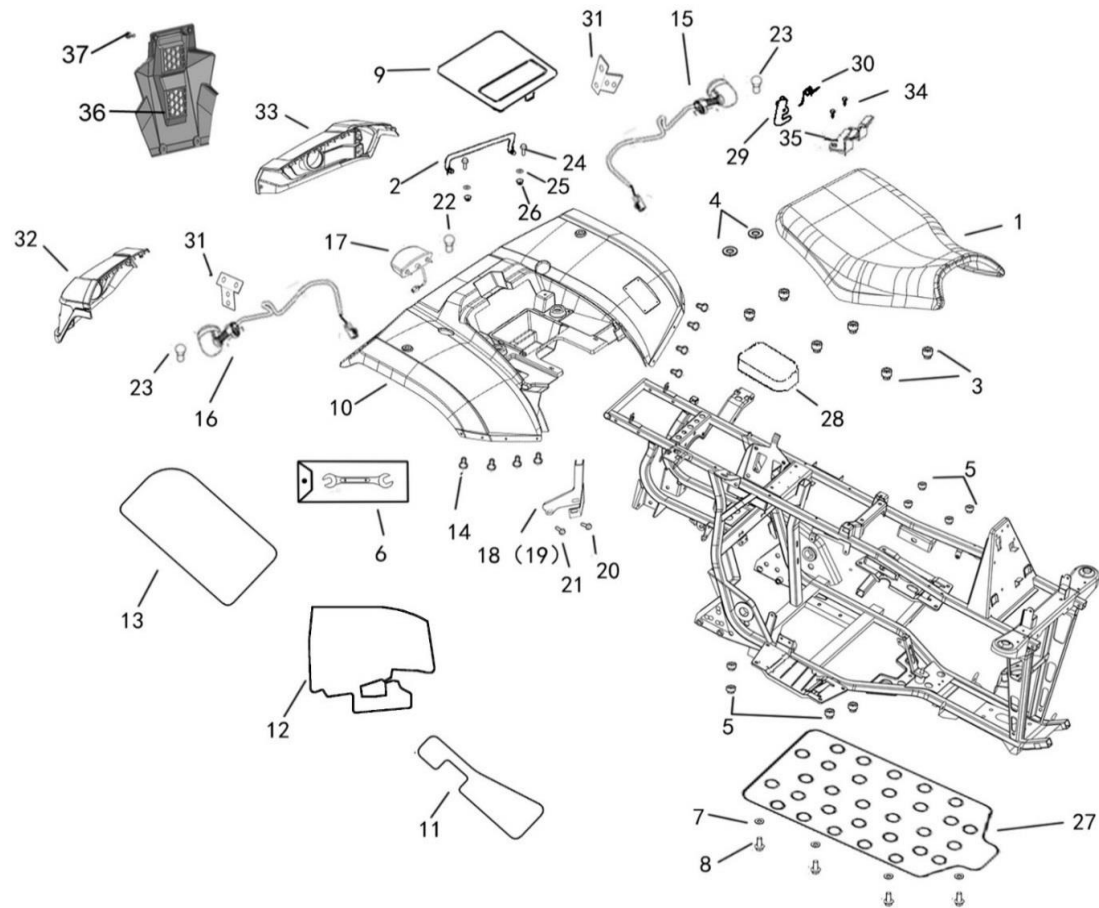


Fig. 3: Ophæng, bag / rear fenders

Ref. no.	PL nr / art. no.	Varenavn	Art. name	OE no.	Antal / pcs
1	9030709	Sæde	Seat, black (basic)	25040	1
1	N/A	Sæde	Seat	35512	1
2	9030710	Låsepal	Latch assembly	25041	1
3	9030711	Gummistøtte lille	Rubber, seat setting 1	25042	6
4	9039611	Gummidæmper	Rubber, seat setting 2	70445	2
5	9030675	Gummidup	Rubber pad	20316	8
6	N/A	Værktøj	Tool	25044	1
7	N/A	Skive	Washer	20331	7
8	9050221	Bolt M6x20	Bolt M6x20	10191	9
9	9030713	Låg til værktøjskasse	Tool box cap	25045a	1
10	9057120	Ophæng, bag	Rear fender	27381a	1
11	9030923	Fodhviler højre	Footrest right adiabatic pellicle	25047	1
12	9057121	Stænkskærm 1, bag	Rear mud adiabatic pellicle, 1	35001	1
13	9057122	Stænkskærm 2, bag	Rear mud adiabatic pellicle, 2	35002	1
14	9039399	Skrue M6x16	Screw, M6x16	10420	8
15	9057123	Blinklys, venstre - bag	Indication light, left rear	27478	1
16	9057124	Blinklys, højre - bag	Indication light, right rear	27479	
17	9057125	Baglygte	Taillight (f/waterproof unit)	25280	1
18	9057126	Holder f/bagskjold - venstre	Trestle, left	25054	1
19	9057127	Holder f/bagskjold - højre	Trestle, right	25055	1
20	9050236	Bolt M8x70	Bolt M8x70	25056	2
21	9050234	Bolt M8x45	Bolt M8x45	10055	2
22	9034295	Baglygtepære12V 21W/5W	Taillight bulb 12V 21W/5W	22017	1
23	9034261	Pære 12V10W	REAR INDICATION LIGHT BULB 12V10W (WH)	25091	2
24	9024650	Bolt M6X12	Bolt M6X12	10140	2
25	9034979	Skive	Washer	10006	2
26	9034633	Møtrik	Nut	10004	2
27	9057128	Plastic plade	Plastic plate	35497	1
28	9057129	Batteri cover	Battery cover	35078	1
29	9049268	Låsekrog	Hook bracket, seat lock	70788	1
30	9049217	Fjeder for låsekrog	Spring	70802	1
31	N/A	Beslag	Rear indication light bracket	27362	2
32	9039444	Bagflap højre	Taillight cover, R	27383	1
33	9039443	Bagflap venstre	Taillight cover, L	27382	1
34	N/A	Skrue, M6x16 ST4.2x13	Screw, M6x16 ST4.2x13	10178	2
35	N/A	Hus	Baffle seat	70803	1
36	9057130	Cover, bag	Rear decoration cover	35498	1
37	9034776	Bolt, M6x12	Bolt, M6x12	20227	4

Fig 4: Stel, forrest / front body and frame

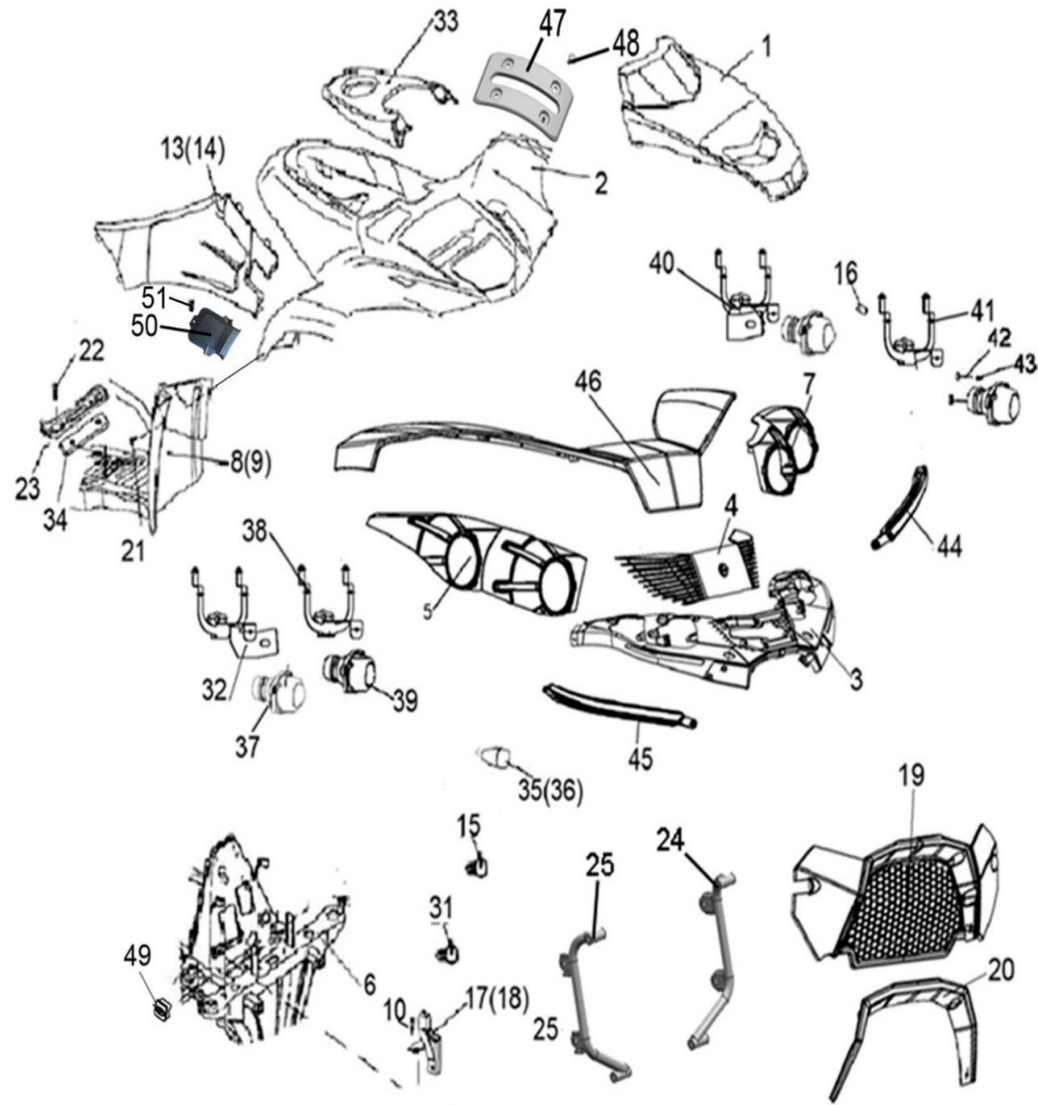


Fig. 4: Stel, forrest / front body and frame

Ref. no.	PL nr / art. no.	Varenavn	Art. name	OE no.	Antal / pcs
1	9030719	Frontskærm midter sort	Front cover	25064	1
2	9057131	Frontskærm	Front body	35079	1
3	9057132	Lygtepanel sort	Front body cover	27420	1
4	9045068	Frontgrill øverst	Front cover	27421	1
5	9045042	Lygtehus højre forlygte	Protector, R, headlight	27422	1
6	N/A	Stel	Frame comp. (EU)	35011	1
6	N/A	Stel	Frame comp. (EFI & carburetor mode)	35011a	1
7	9045043	Lygtehus venstre forlygte	Protector, L, headlight	27423	1
8	9057133	Fodhviler, højre	Footrest, right	35076	1
9	9057134	Fodhviler, venstre	Footrest, left	35077	1
10	9035027	Bolt M6x12	Bolt M6x12	10140	2
13	9057135	Side cover, højre	Side cover, R	25076a	1
14	9057136	Side cover, venstre	Side cover, L	25077	1
15	9034279	Pære forlys 35W/35W	Bulb, headlight 35W/35W	22371	4
16	9039436	Kugleforbindelse forlygte	Ball joint, headlight	27371	4
17	9057137	Fodstøtte, lille - højre	Trestle, R	35029	1
18	9057138	Fodstøtte, lille - venstre	Trestle, L	35028	1
19	9045046	Frontgrill	Plate, front rack	27426	1
20	9057139	Mellemstykke, front	Inserts, front rack	27427	1
21	9039399	Skrue M6x16	Screw, M6x16	10420	8
22	N/A	Skrue M6x20	Screw, M6x20	10127	4
23	N/A	Trin	Step	70336	2
24	9057140	Beslag, venstre	Left bracket radiator	35012	1
25	9057141	Beslag, højre	Right bracket radiator	35013	1
31	9041089	Pære 12V 10W orange	Front indicator light bulb, 12V/10W	32045	2
32	9057142	Beslag, forlygte - højre	High beam bracket, R	27428	1
33	9057143	Cover, brændstoftank - top	Cover, fuel tank top	35080	1
34	9057144	Gummiskive	Rubber washer	70300	2
35	9057145	Blinklys, højre front	Front indicator light, right	27495	1
36	9057146	Blinklys, venstre front	Front indicator light, left	27494	1
37	9057147	Forlys, langt lys	High beam	27455	2
38	9057148	Beslag, højre - kørelys	Dipped headlight bracket, R	27431	1
39	9057149	Kørelys / forlygte	Dipped headlight	27456	2
40	9057150	Beslag, venstre - kørelys	High beam bracket, L	27432	1
41	N/A	Beslag	Dipped headlight bracket, L	27433	1

42	N/A	Justeringsbolt, forlys	Adjustment bolt, headlight	27372	8
43	N/A	Fjeder	Spring	27373	8
44	9045044	LED lys venstre forrest	LED light, L	27434	1
45	9045045	LED lys højre forrest	LED light, R	27435	1
46	9045040	Dækskærm over forlygte	Board, front cover	27436	1
47	9057152	Cover, sort	Shift cover (black)	35499	1
48	N/A	Skrue, ST4.8x12	Screw, ST4.8x12	10520	4
49	N/A	Gummi cover	Rubber cover	25608	6
50	N/A	Dæksel	Cap, side cover R	35515	1
51	N/A	Skrue, ST4.2x13	Screw, ST4.2x13	10178	3

Fig. 5: Støddæmper, front / shock absorber, front

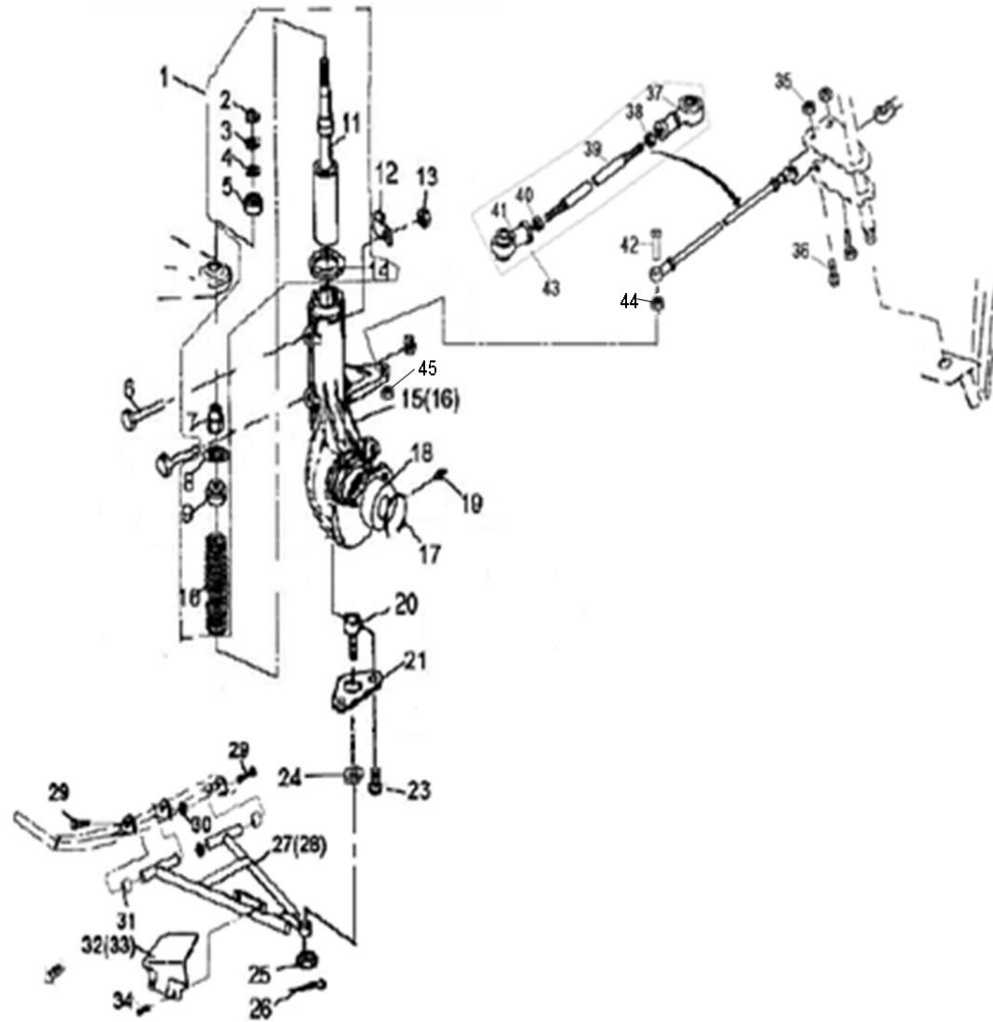


Fig. 5: Støddæmper, front / shock absorber, front

Ref. no.	PL nr / art. no.	Varenavn	Art. name	OE no.	Antal / pcs
1	9057153	Støddæmper, front - komplet	Front shock absorber assembly	35015	2
2	9034762	Møtrik M14x1.5	Nut, M14x1.5	10091	2
3	9034784	Skive	Washer	21802	2
4	9029718	Afstandsgummi	Spacer, rubber	21803	2
5	9029652	Fjederbensleje øverst	Upper pivot ball	21804	2
6	9050235	Bolt M 8x60	Bolt M 8x60	10093	4
7	9034852	Møtrik M14x1.5	Nut, M14x1.5	21806	2
8	9029653	Fjederbensleje nederst	Lower pivot ball	21807	2
9	9029654	Fjederskål	Spring retainer	21808	2
10	9034744	Forfjeder	Spring	26909	2
11	9034745	Støddæmper forrest	Strut bumper	26908	2
12	N/A	Clamp	Clamp	32104	2
13	9050207	Møtrik M8	Nut M8	10079	4
14	9030439	Låsering	Spring retainer	21813	2
15	9057154	Fjederben, venstre	Strut body left	35019	1
16	9057155	Fjederben, højre	Strut body right	35016	1
17	9034757	Låsering	Circlip	26912	2
18	9034759	Forhjulsleje	Vearing	26913	2
19	N/A	Fedtnippel	Grease fitting	27074	2
20	9030061	Bærekugletap	Ball joint stud	20512	2
21	9030062	Holder bærearms bolt	Ball joint mounting bracket	20513	2
23	9034773	Bolt M6x12	Bolt M6x12	10022	4
24	9034775	Skive	Washer	10019	2
25	9034777	Møtrik M10x1.25	Nut M10x1.25	27067	2
26	9034779	Split pin 2.5x25	Cotter pin 2.5x25	10501	2
27	9030009	Bærearmlen venstre	A-arm, left	20518F	1
28	9029800	Bærearmlen højre	A-arm, right	20627F	1
29	9029798	Bærearms aksel	A-arm, pivot shaft	20522f	2
30	9033896	Møtrik M12x1.25	Nut, M12x1.25	10136	4
31	9029799	Bøsning	Bushing	20524f	4

32	9030010	Bærearms beskyttelse venstre	A-arm shield, left	20519	1
33	9030011	Bærearms beskyttelse højre	A-arm shield, right	20628	1
34	9033898	Skrue M5x12	Screw, M5x12	10001	4
35	9031005	Hjulmøtrik M10x1.25	Nut, M10x1.25	10015	2
36	9034175	Bolt M10x1.25x55	Bolt M10x1.25x55	10016	2
37	9030064	Sporstangs ende A	Tie rod end, A	20503	2
38	N/A	Kontramøtrik, højre	Jam nut (right)	10017	2
39	9057156	Sporstang	Tie rod	20505	2
39	9057157	Justerbar sporstang	Tie rod (new model)	35147	2
40	N/A	Kontramøtrik, venstre	Jam nut (left)	20506	2
41	9030633	Sporstangs ende B	Tie rod end, B	20507	2
42	N/A	Bolt	Bolt	35518	2
43	9030063	Sporstang komplet	Tie rod assy	20629	2
43	N/A	Sporstang komplet (ny model)	Tie rod assy (new model)	35146	2
44	9057158	T-muffe, front	Front T type	35017	1
45	9057159	T-muffe, ned	Down T type	35018	1

Fig. 6: Bærear, bag / rear arm

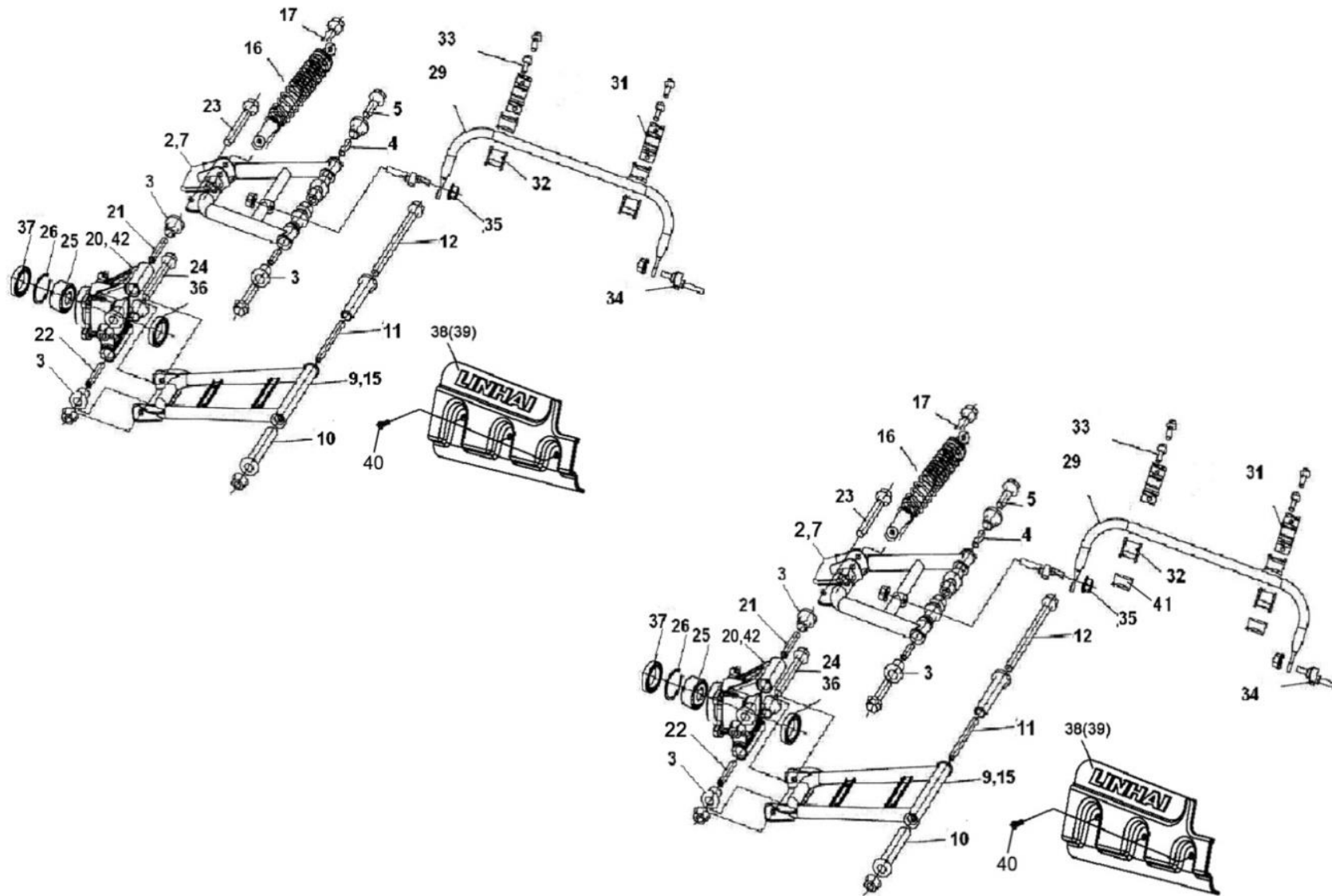


Fig. 6: Bærearmlag, bag / rear arm

Ref. no.	PL nr / art. no.	Varenavn	Art. name	OE no.	Antal / pcs
2	9039414	Bærearmlag venstre øverst	Arm L RR	27324	1
3	9039665	Bøsning bagerste øverste bærearmlag	Bushing 1, arm, R RR	70682	16
4	9039467	Bøsning	Collar	70683	4
5	9049216	Bolt M10x80x1,25	Bolt M10x80x1,25	70684	4
7	9039415	Bærearmlag højre øverst	Arm, R RR	27325	1
9	9039417	Bærearmlag venstre nederste	Arm set, L RR	27326	1
10	9039654	Bøsning for bærearmlag nederst	Bushing 2, arm, R RR	70665	4
11	9049302	Rørbøsning for bagerst nederst bærearmlag	Collar, arm	70687	2
12	9049244	Akselbolt for bærearmlag M10x230x1,25	Bolt M10x230x1,25	70688	2
15	9039417	Bærearmlag højre nederst	Arm set R RR	27327	1
16	9039450	Støddæmper bag	Shock absorber RR	27394	2
17	N/A	Bolt, M10x1.25x52	Bolt, M10x1.25x52	70012	4
20	9057160	Spindel, venstre & højre	Knuckle L RR	70691	1
20	9057161	Spindel, venstre	Knuckle L RR (cast steel)	27492	1
20	9057162	Spindel, venstre	Knuckle L RR (cast steel)	36136	1
21	9039670	Bøsning øverste bærearmlag/spindel	Collar, knuckle RR (upper)	70692	2
22	9039671	Bøsning nederst bærearmlag/spindel	Collar, knuckle RR (lower)	70693	2
23	9039648	Bolt øverst spindel	Bolt knuckle (upper)	70694	2
24	9039649	Bolt nederst spindel	Bolt knuckle (lower)	70695	2
25	9039662	Baghjulsleje	Bearing, AU0712	70674	2
26	9039518	Låsering Ø 58	Circlip Ø 58	70055	2
29	9057163	Fjeder f/stabilisator	Spring, RR stabilizer	35385	1
31	9039471	Holder for stabilisator	Holder, stabilizer bush	70697	2
31	9057164	Holder f/stabilisator bøsning (ny model)	Holder, stabilizer bush (new model)	72017	2
31	9057165	Holder f/stabilisator bøsning (2015 ny model)	Holder, stabilizer bush (2015 new model)	35523	2
32	9039672	Bøsning højre bag stabilisator	Bush RR stabilizer	70698	2
32	9057166	Bøsning højre bag stabilisator (ny model)	Bush RR stabilizer (new model)	72018	2
33	9050231	Bolt M8x20	Bolt M8x20	10081	4

34	9039673	Bolt til bagerste stabilisator	Link RR stablizer	70699	2
35	9031005	Møtrik M10x1,25	Nut, M10x1,25	10015	18
36	9039663	Pakdåse 61.5 43 11	Seal 61.5 43 11	70675	2
37	9039664	Pakdåse 58 41.2 11	Seal 58 41.2 11	70676	2
38	9049397	Beskyttelse for bæream HF	Arm protect, L	70977	1
39	9049396	Beskyttelse for bæream VF	Arm protect, R	70976	1
40	9033898	Bolt M5x12	Bolt M5x12	10001	6
41	9057167	Beslag	Bracket	72019	2
42	9057160	Spindel, venstre & højre	Knuckle, R RR	70691	1
42	9057167	Spindel, højre	Knuckle R RR (cast steel)	27493	1
42	9057168	Spindel, højre	Knuckle R RR (cast steel)	36135	1

Fig 7: For- og baghjul / front and rear wheel

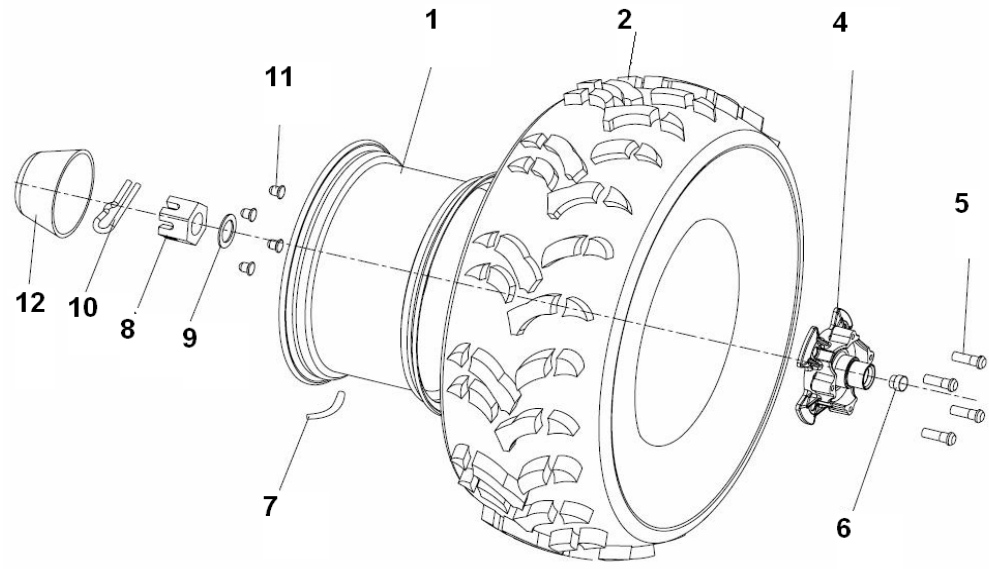


Fig 7: For- og baghjul / front and rear wheel

Ref. no.	PL nr / art. no.	Varenavn	Art. name	OE no.	Antal / pcs
FORHJUL / FRONT					
1A	N/A	WHEEL SUB-ASSY, FR(ALUMINIUM)	WHEEL SUB-ASSY, FR(ALUMINIUM)	35508	2
1B	9057170	WHEEL SUB-ASSY, FR(ALUMINIUM)	WHEEL SUB-ASSY, FR(ALUMINIUM)	35723	2
1D	9039483	Alufælg for	WHEEL SUB-ASSY, FR(IRON) (FRANCE) (S	27330	2
2	N/A	Forhjul, AT25x8-12 6PR	Tire, front - AT25x8-12 6PR	27329t	2
	9057171	Forhjul, AT25x8-12 43J	Tire, front - AT25x8-12 43J	35509	2
	N/A	TIRE FRONT AT25X8-12 47F (WANDA P377) (E4-	TIRE FRONT AT25X8-12 47F (WANDA P377)	35528	2
4	9039409	Forhjulsnav	Hub assy	27285	2
BAGHJUL / REAR					
1A	N/A	WHEEL SUB-ASSY, RR(ALUMINIUM)	WHEEL SUB-ASSY, RR(ALUMINIUM)	35510	2
1B	9057172	WHEEL SUB-ASSY, RR(ALUMINIUM)	WHEEL SUB-ASSY, RR(ALUMINIUM)	35717	2
1D	9050399	Alufælg bag	WHEEL SUB-ASSY, RR(IRON) (FRANCE) (S	27331	2
2	N/A	Baghjul, RR AT25X10-12 6PR	Tire, RR AT25X10-12 6PR	35006	2
	9057173	Baghjul, RR AT25X10-12 50J	Tire, RR AT25X10-12 50J	35511	2
	N/A	TIRE, RR AT25X10-12 65F (WANDA P377) (E4-	TIRE, RR AT25X10-12 65F (WANDA P377)	35529	2
4	9039475	Baghjulsnav	Hub, RR wheel	70719	2
FÆLLES / BOTH					
5	9039472	Hjulbolt, M12x1,25	Bolt, M12x1,25	70714	16+16
6	9039474	Tætningsprop	Seal	70718	2+2
7	9029813	Ventil	Valve, rim	20807	4+4
8	9039476	Kronemøtrik	Bolt, slotted	70721	4+4
9	N/A	Skive	Washer	70722	2+2
10	9034985	Split 4x32	Pin, 4x32	26267	2+2
11	9049611	Hjilmøtrik	Nut, wheel	27411	8+8
12	9039473	Navkapsel	Cap, wheel center	70717	2+2

Fig. 8: Skiftestang / shift rod

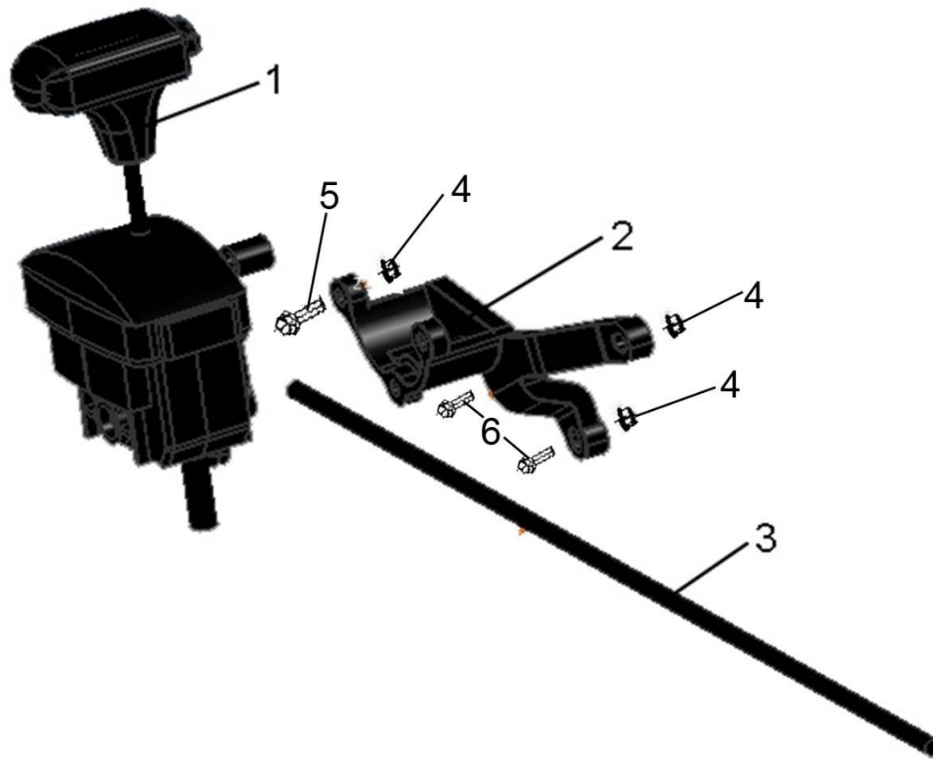


Fig. 8: Skiftestang / shift rod

Ref. no.	PL nr / art. no.	Varenavn	Art. name	OE no.	Antal / pcs
1	9057174	Gearvælger	Shifter assy mounting (old model)	35008	1
1	9057175	Gearvælger, beslag	Shifter assy mounting (new model)	35008a	1
2	N/A	Beslag	Shifter mounting bracket	35010	1
3	N/A	Beslag	Shifter mounting rod (old model)	35009	1
3	9057176	Gearstang, ny model	Shifter mounting rod (new model)	35009a	1
4	9050207	Møtrik, M8	Nut, M8	10067	3
5	9050234	Bolt, M8x50	Bolt, M8x50	10403	1
6	9050232	Bolt, M8x30	Bolt, M8x30	10078	2

Fig. 9: Gearkasse, front og bag / front and rear gearbox

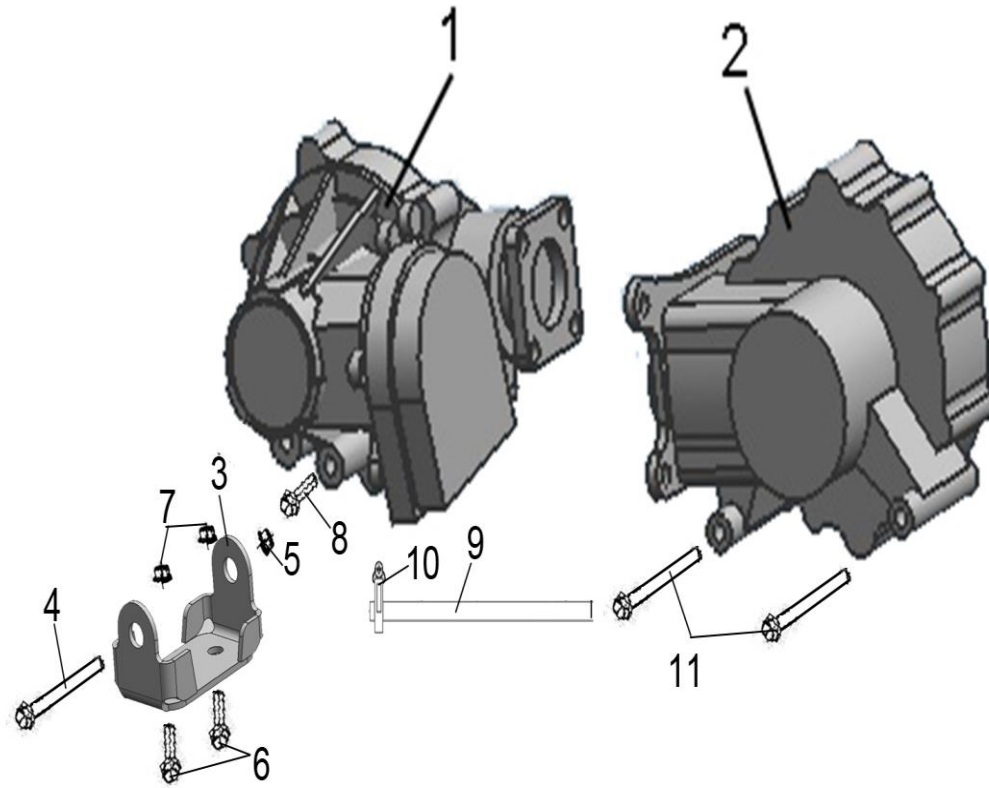


Fig. 9: Gearkasse, front og bag / front and rear gearbox

Ref. no.	PL nr / art. no.	Varenavn	Art. name	OE no.	Antal / pcs
1	9057177	Gearkasse, front - komplet	Front gearbox, assy	35004	1
2	9057179	Gearkasse, bag - komplet	Rear gearbox, assy	35003	1
3	N/A	Beslag t/gearkasse (front)	Bracket, front gear box assy	35500	1
4	N/A	Bolt, M10x1,25x90	Bolt, M10x1,25x90	10924	1
5	9031005	Møtrik, M10x1,25	Nut, M10x1,25	10015	1
6	9034535 (inaktiv)	Bolt, M8x1,25x16	Bolt, M8x1,25x16	10168	2
7	9033914 (inaktiv)	Møtrik, M8x1,25	Nut, M8x1,25	10079	2
8	N/A	Bolt, M10x1,25x35	Bolt, M10x1,25x35	10283	2
9	N/A	Rør, Ø5xØ9x450	Pipe, Ø5xØ9x450	35501	2
10	9034708 (inaktiv)	Spændebånd	Clamp	22924	2
11	N/A	Bolt, M10x1,25x110	Bolt, M10x1,25x110	10925	2

Fig. 10: Venstre drivaksel, front (4WD) / front left drive axle (4WD)

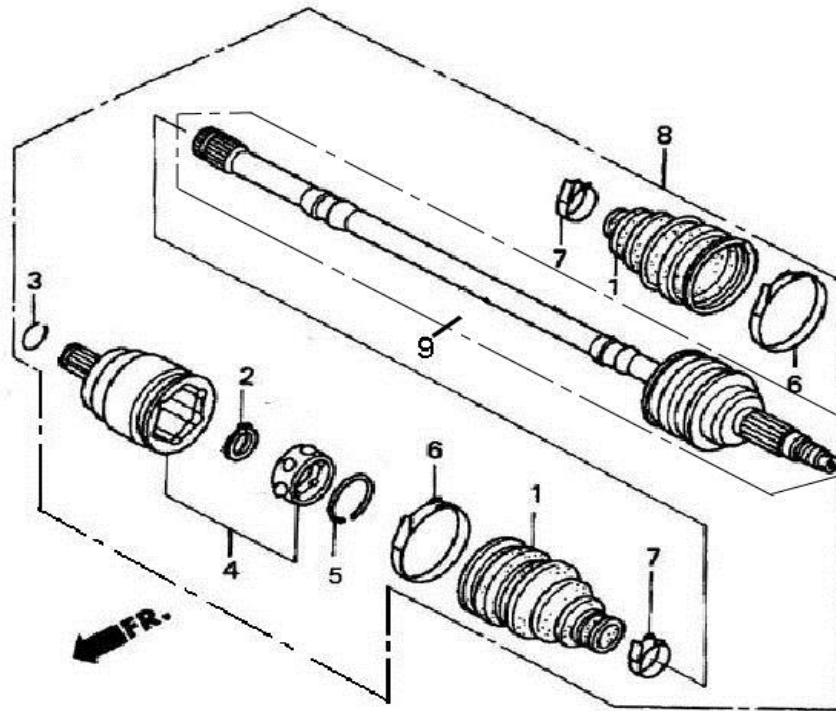


Fig. 10: Venstre drivaksel, front (4WD) / front left drive axle (4WD)

Ref. no.	PL nr / art. no.	Varenavn	Art. name	OE no.	Antal / pcs
1	N/A	Plade	Outer board boot	35038	1
2	N/A	Spændering	Circlip	35044	1
3	N/A	Stopring, 19,2	Stopper ring, 19,2	35046	1
4	N/A	Samler	Joint, inboard	35041	1
5	N/A	Stopring	Stopper ring	35039	1
6	N/A	Ring, B	Boot band, B	35040	1
7	N/A	Ring, A	Boot band, A	35037	1
8	9057180	Drivaksel, front venstre - komplet	Front left drive axle	35030	1
9	N/A	Drivaksel	Drive axle / outer CV joint assy	35032	1

Fig. 11: Højre drivaksel, front (4WD) / front right drive axle (4WD)

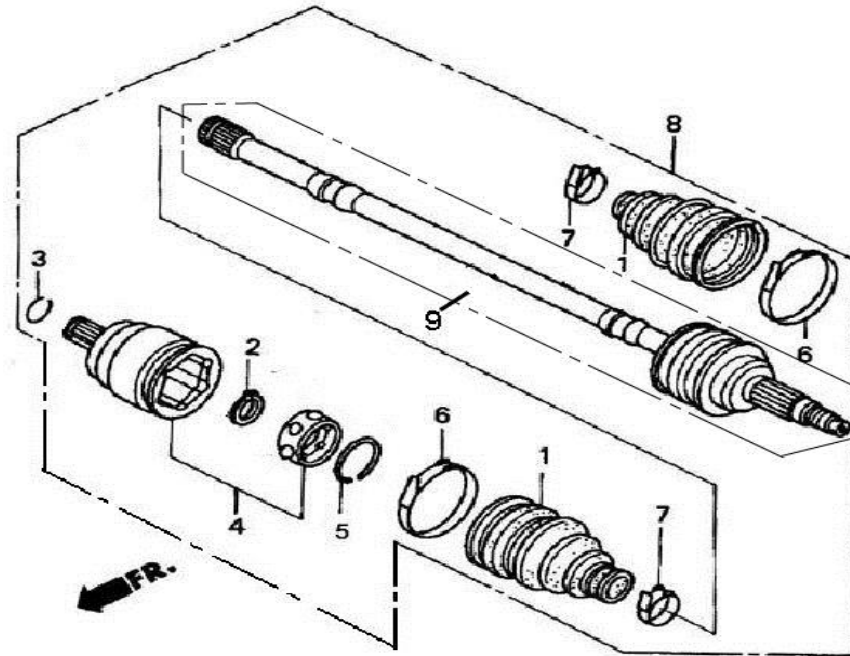
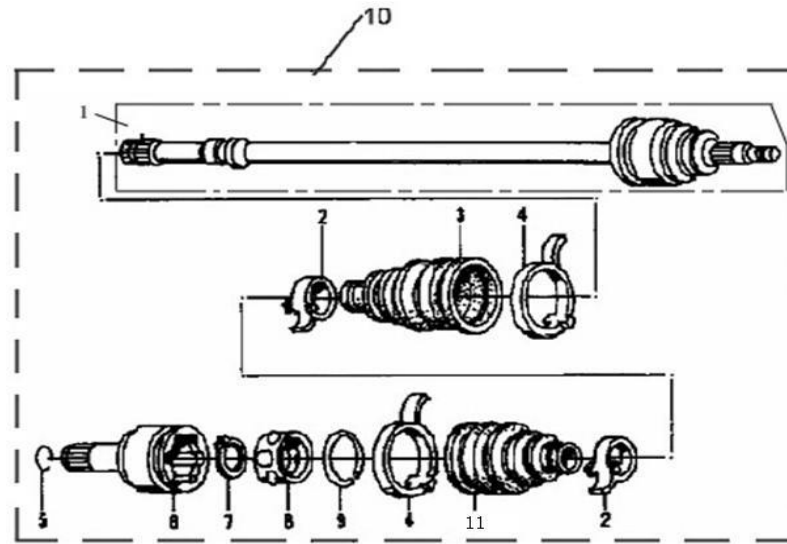


Fig. 11: Højre drivaksel, front (4WD) / front right drive axle (4WD)

Ref. no.	PL nr / art. no.	Varenavn	Art. name	OE no.	Antal / pcs
1	N/A	Plade	Outer board boot	35038	1
2	N/A	Spændering	Circlip	35044	1
3	N/A	Stopring, 19,2	Stopper ring, 19,2	35046	1
4	N/A	Samler	Joint, inboard	35041	1
5	N/A	Stopring	Stopper ring	35039	1
6	N/A	Ring, B	Boot band, B	35040	1
7	N/A	Ring, A	Boot band, A	35037	1
8	9057181	Drivaksel, front højre - komplet	Front right drive axle	35031	1
9	N/A	Drivaksel	Drive axle / outer CV joint assy	35033	1

Fig. 12: Venstre drivaksel, bag / rear left drive axle



35048a



35048



Fig. 12: Venstre drivaksel, bag / rear left drive axle

Ref. no.	PL nr / art. no.	Varenavn	Art. name	OE no.	Antal / pcs
1	N/A	Drivaksel	Drive axle / outer CV joint assembly	35050	1
2	N/A	Ring, A	Boot band A	35057	1
3	N/A	Plade	Outer left board boot	35056	1
4	N/A	Ring, B	Boot band B	35052	1
5	N/A	Stopring, B	Stopper ring B	35065	1
6	N/A	Samler	Outer CV joint	35064	1
7	N/A	Låsering 20	Circlip 20	35063	1
8	N/A	Beslag	Steel ball bracket / gear wheel	35060	1
9	N/A	Stopring, B	Stopper ring A	35059	1
10	N/A	Venstre drivaksel, bag	Rear left drive axle	35048	1
10	9057182	Venstre drivaksel, bag - ny model	Rear left drive axle (new model)	35048a	1
11	N/A	Plade	Outer right board boot	35526	1

Fig. 13: Venstre drivaksel, bag (XL) / rear left drive axle (XL)

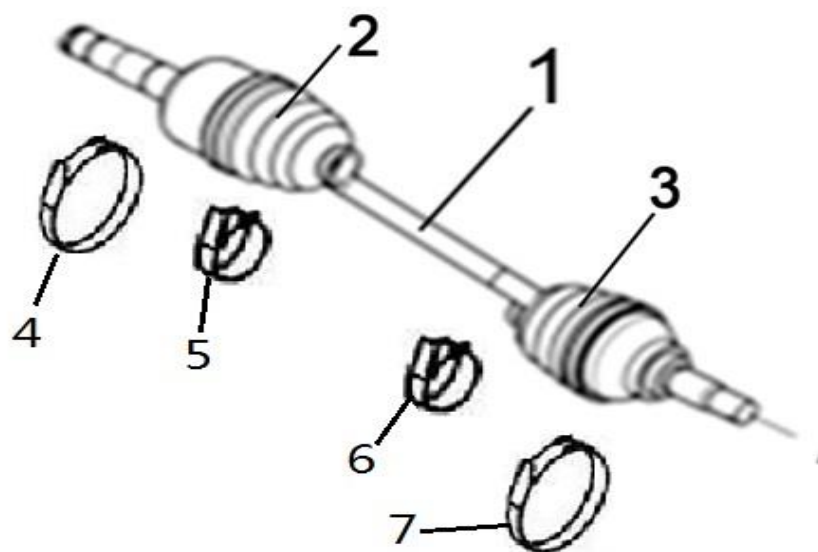


Fig. 13: Venstre drivaksel, bag (XL) / rear left drive axle (XL)

Ref. no.	PL nr / art. no.	Varenavn	Art. name	OE no.	Antal / pcs
1	N/A	Drivaksel, venstre bag - XL	Rear left drive axle, XL	36143	1
2	N/A	Plade	Inner board boot	36196	1
3	N/A	Plade	Outer board boot	36165	1
4	N/A	Plade, indre	Inner board boot, B	36197	1
5	N/A	Plade, indre	Inner board boot, A	36167	1
6	N/A	Plade, ydre	Outer board boot, B	36198	1
7	N/A	Plade, ydre	Outer board boot, A	36199	1

Fig. 14: Højre drivaksel, bag / rear right drive axle

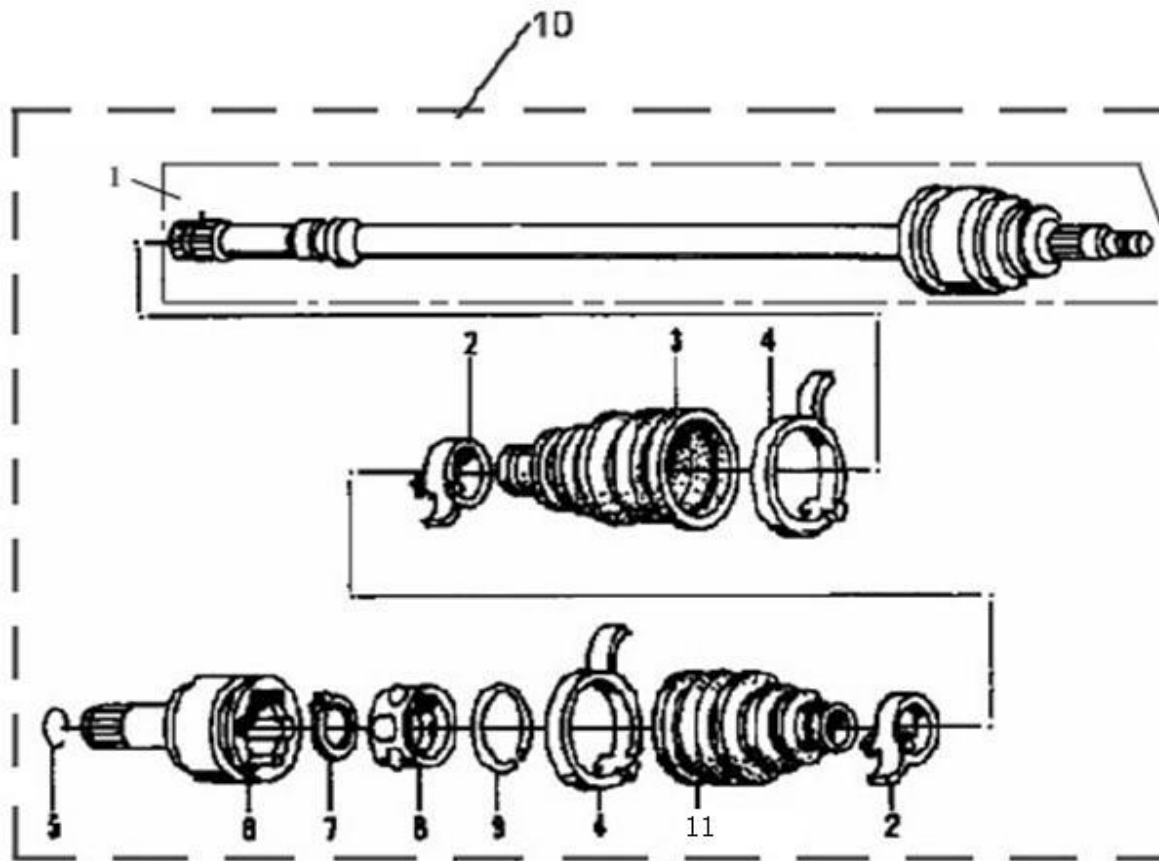


Fig. 14: Højre drivaksel, bag / rear right drive axle

Ref. no.	PL nr / art. no.	Varenavn	Art. name	OE no.	Antal / pcs
1	N/A	Drivaskel	Drive axle / outer CV joint assembly	35051	1
2	N/A	Ring, A	Boot band A	35057	1
3	N/A	Plade, ydre	Outer left board boot	35056	1
4	N/A	Ring, B	Boot band B	35052	1
5	N/A	Stopring, B	Stopper ring B	35065	1
6	N/A	Samler	Outer CV joint	35067	1
7	N/A	Clip	Circlip 20	35063	1
8	N/A	Beslag	Steel ball bracket / gear wheel	35060	1
9	N/A	Stopring, A	Stopper ring A	35059	1
10	9057183	Drivaksel, højre front - ny model	Rear right drive axle	35049	1
11	N/A	Plade, ydre	Outer right board boot	35526	1

Fig 15: Højre drivaksel, bag (XL) / rear right drive axle (XL)

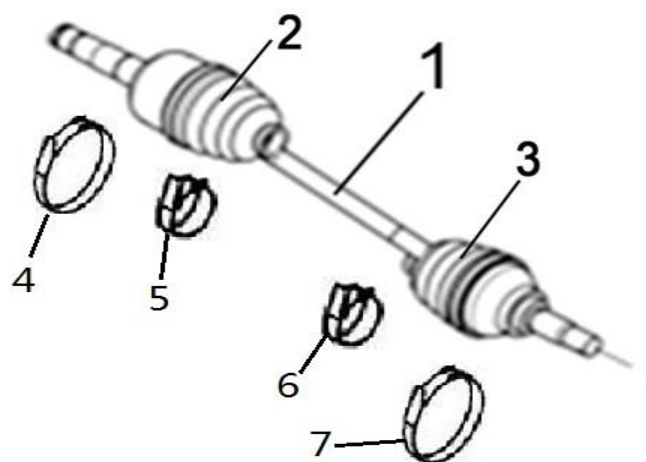


Fig 15: Højre drivaksel, bag (XL) / rear right drive axle (XL)

Ref. no.	PL nr / art. no.	Varenavn	Art. name	OE no.	Antal / pcs
1	9057184	Drivaksel, højre & venstre, bag - XL	Rear right drive axle, XL	36144	1
2	N/A	Plade	Inner board boot	36196	1
3	N/A	Plade	Outer board boot	36165	1
4	N/A	Plade, indre	Inner board boot, B	36197	1
5	N/A	Plade, indre	Inner board boot, A	36167	1
6	N/A	Plade, ydre	Outer board boot, B	36198	1
7	N/A	Plade, ydre	Outer board boot, A	36199	1

Fig. 16: Spindel, front og bag / front and rear knuckle assy

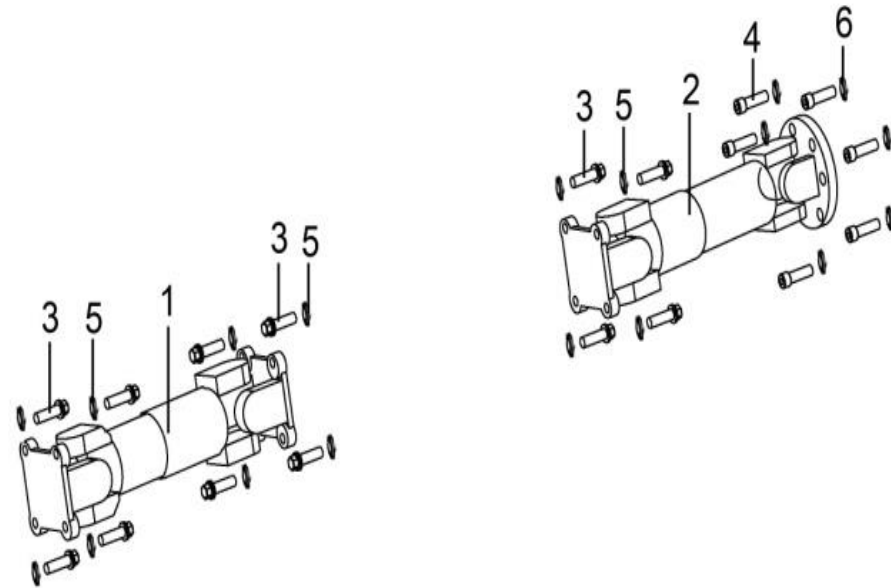


Fig. 16: Spindel, front og bag / front and rear knuckle assy

Ref. no.	PL nr / art. no.	Varenavn	Art. name	OE no.	Antal / pcs
1	9057185	Spindel, front	Front knuckle	35081	1
1	9057186	Spindel, front & bag - XL	Front knuckle, XL	36150	1
2	9057187	Spindel, bag	Rear knuckle	35082	1
2	N/A	Spindel, bag - XL	Rear knuckle, XL	36151	1
3	N/A	Bolt, M8x1x25	Bolt, M8x1x25	10926	12
4	N/A	Bolt, M10x1,25x32	Bolt, M10x1,25x32	10927	6
5	9033861	Fjederskive	Spring washer	10106	12
6	9033908 (inaktiv)	Fjederskive	Spring washer	10027	6

Fig. 17: Ratstamme / steering column

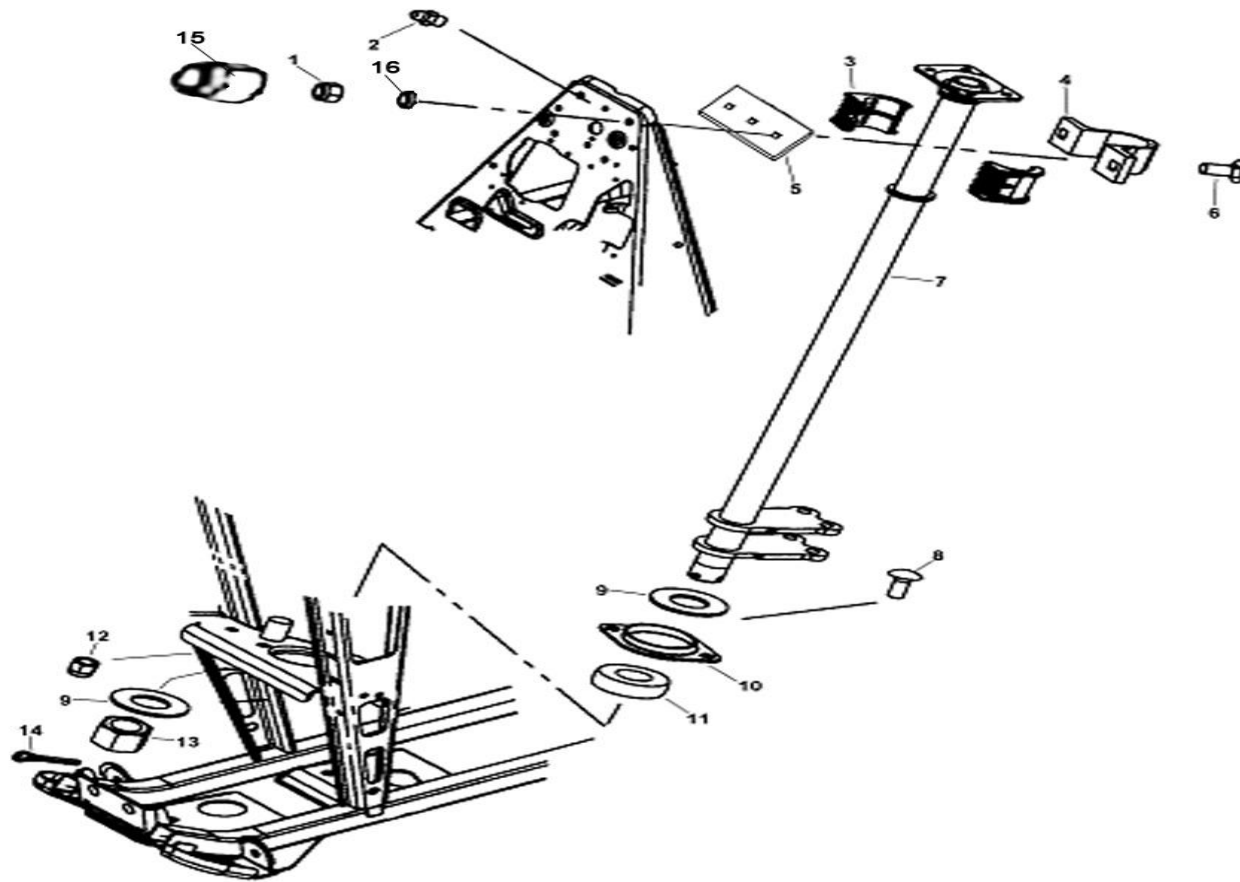


Fig. 17: Ratstamme / steering column

Ref. no.	PL nr / art. no.	Varenavn	Art. name	OE no.	Antal / pcs
1	9050207	Møtrik, M8	Nut, M8	10079	2
2	9034761 (inaktiv)	Smørenippel	Grease fitting	10026	1
3	9029719	Bøsning	Bushing	21903	2
4	9036381	U-bøjle, bag	Steering clamp, rear	21904	1
5	9038948	Holder plade	Steering clamp, front	21905	1
6 & 8	N/A	Bolt	Bolt	21906	2
7	9057188	Ratstamme	Steering column	35020	1
9	9057189	Skive	Washer	21909	2
10	9029656	Lejeholder	Bearing retainer	21910	1
11	9029657	Leje	Bearing	21911	1
12	9050207	Møtrik, M8	Nut, M8	10079	2
13	9029658	Kronemøtrik	Steering column retainer nut	10100	1
14	N/A	Splitpind	Cotter pin	10101	1
15	N/A	Beskyttelsescover	Protect cover	27256	2
16	9033861	Fjederskive	Spring washer	10106	2

Fig. 18: Elektrisk system / electrical system

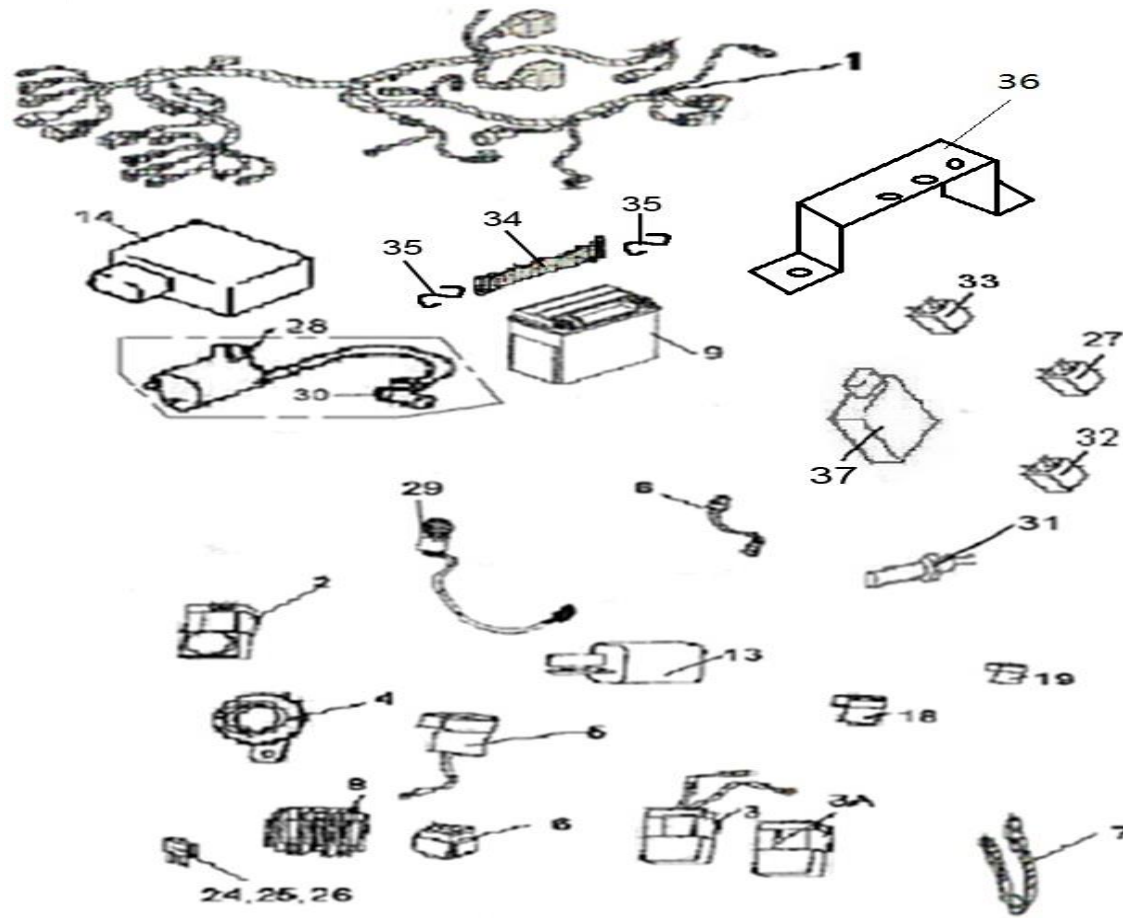


Fig. 18: Elektrisk system / electrical system

Ref. no.	PL nr / art. no.	Varenavn	Art. name	OE no.	Antal / pcs
1	9057190	Ledningsnet	Wiring harness	35087	1
1	N/A	Ledningsnet	Wiring harness	35531	1
2	9057191	Bakalarm	Reverse gear warning	35088	1
3	9029670	Hastighedsbegrænser bakgear	Reverse speed limiter	22002a	1
4	9049317	Horn	Horn	70404	1
5	9057192	Blinklys relæ	Flasher relay assy	27438	1
6	9049388	Start relæ	Starter relay	71602	1
7	9034325 (inaktiv)	Strips	Tie	25530	20
8	9049505	Laderelæ	Regulator rectifier	71603	1
9	N/A	Batteri	Battery	35091	1
13	9030031	Kondensator	Capacitor	32021	1
14	9057193	CDI	CDI	35386	1
18	9029720	Gummibeskyttelse 1	Rubber sheath 1	25517	
19	9029721	Gummibeskyttelse 2	Rubber sheath 2	25519	
24	9039401	Sikring 7,5A	7.5 Amp fuse	22019	1
25	9039402	Sikring 15A	15 Amp fuse	22020	2
26	9039403	Sikring 3A	3 Amp fuse	22021	1
27	9030031	Kondensator	Capacitor	32021	1
28	9057194	Tændspole	Ignition coil and wire	35514	1
29	9039597	Udtags stik 12V	Accessory socket, assy	70400	1
31	9049266	Bremsekontakt vandtæt model	Brake switch (f/waterproof unit)	70405A	1
32	9057195	Hjælpe kontakt	Auxiliary relay	35083	4
33	9049365	Relæ	Start relay (control fan)	50280	1
33	9049365	Relæ	Start relay (old)	50280	2
33	9057196	Relæ (ny model)	Start relay (new)	35656	2
34	9030030	Batteristrop	Tie, battery	22018	1
35	N/A	Krog	Hook	25640	2
36	N/A	Beslag f/hjælpe kontakt	Auxiliary relay bracket	35532	1
37	9057197	Lys kontakt / kontrol	Light control	73591	1

Fig. 19: Bremsesystem / brake system

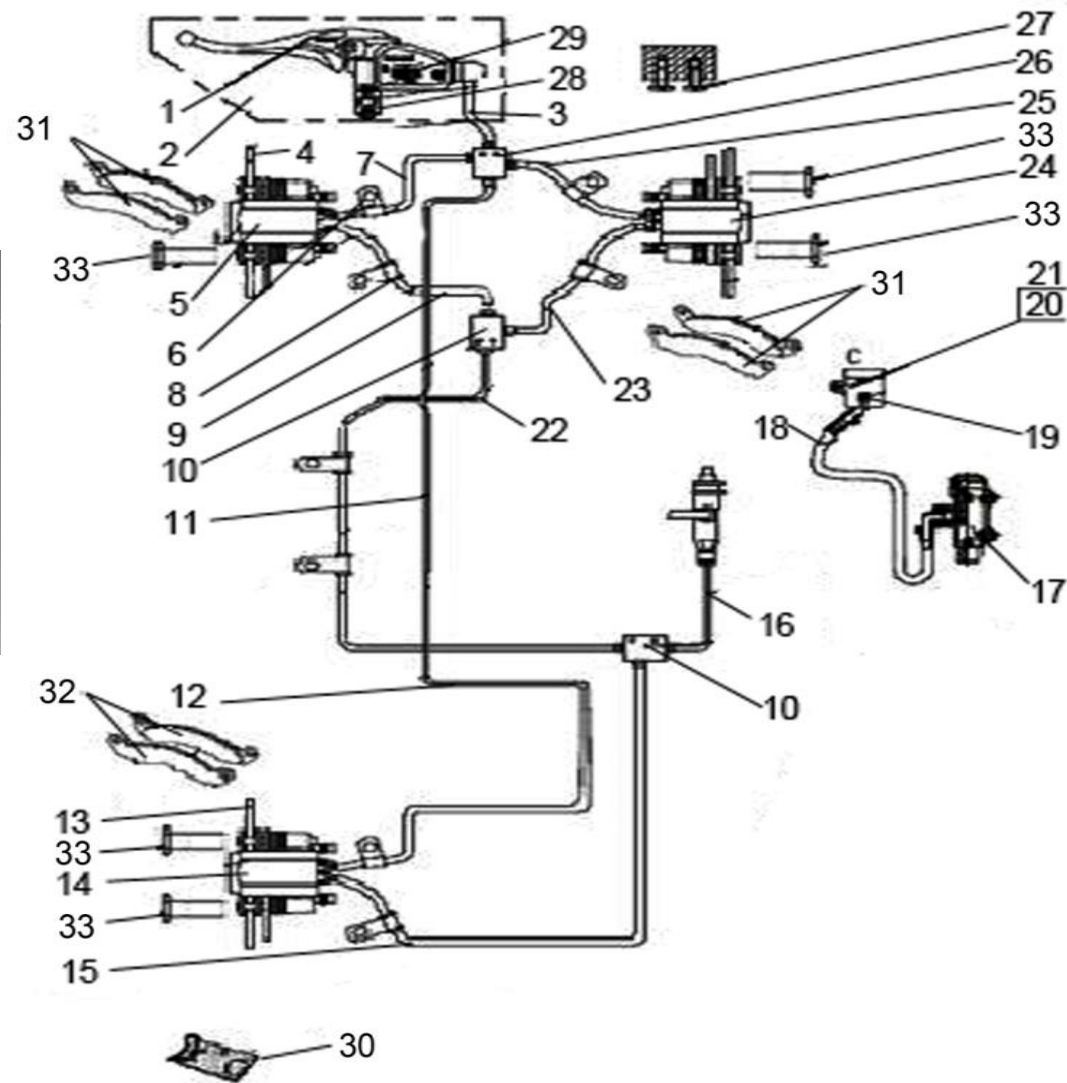


Fig. 19: Bremsesystem / brake system

Ref. no.	PL nr / art. no.	Varenavn	Art. name	OE no.	Antal / pcs
1	9029827	Bremsehåndtag venstre løs	Brake lever	2211120	1
2	9039413	Bremsehovedcylinder styrmontering	Master cylinder w/brake lever	27320	1
3	9029683	Bremseslange hånd til t-stykke	Hand brake hose	22102	1
4	9039644	Bremseskive forrest	Front brake disc	27321	2
5	9057198	Bremsekaliber, front - venstre	Brake caliper front, left	27409	1
6	N.A	Clamp	Clamp	32104	2
7	9029689	Bremseslange venstre for	Front brake hose, 2	22229	1
8	N.A	Gummislange 1	Rubber tube, 1	35534	3
9	9057199	Bremseslange, front	Front brake hose, 1	27313	1
10	9029672	T-stykke	Brake line coupler	32107	1
11	N.A	Slange t/skivebremse	Tube diskbrake rear	35068	1
12	9057200	Bremseslange 1, bag	Rear brake hose, 1	35069	1
13	9039637	Bremseskive bag	Rear brake disc	70537	2
14	9039634	Bremsekaliber bag venstre	Brake caliper left, rear	70520	1
15	N.A	Bremseslange 2, bag	Rear brake hose, 2	35070	1
16	9057201	Bremseslange 3, bag	Rear brake hose, 3	27377	1
17	9039440	Hoved bremsecylinder fodbremse	Foot brake cylinder	27378	1
18	N.A	Slange f/bremsevæske	Reservoir tube	27379	1
19	9039465	Bremsevæskebeholder	Reservoir tube	70496	1
20	N.A	Møtrik, M5	Nut, M5	10109	1
21	N.A	Bolt, M5x12	Bolt, M5x12	10108	1
22	9057202	Bremselange, fodbremse	Tube diskbrake, foot brake	35071	1
23	9029682	Bremseslange forrest H+V	Front brake hose, 2	32233	1
24	9057203	Bremsekaliber, front - højre	Brake caliper, right	27410	1
25	9039628	Bremseslange for H	Front brake hose, 3	70483	1
26	9049330	Firevejs samler	Four line coupler	70548	
27	N.A	Bolt, M5x15	Bolt, M5x15	10111	4
28	N.A	Bolt, M6x22	Bolt, M6x22	27283	2
29	N.A	Låg	Cap	22126	1
30	N.A	Service kit	Service kit	35519	1
31	9029926	Bremseklodser sæt forrest	Inside and outside pad, front	22245	4
32	9029926	Bremseklodser sæt bagerst	Inside and outside pad, rear	22245	2
33	9050231	Bolt M8x20	Bolt M8x20	27212	12

Fig. 20: Bremskaliber, højre - front & bag / brake caliper, right - front & rear

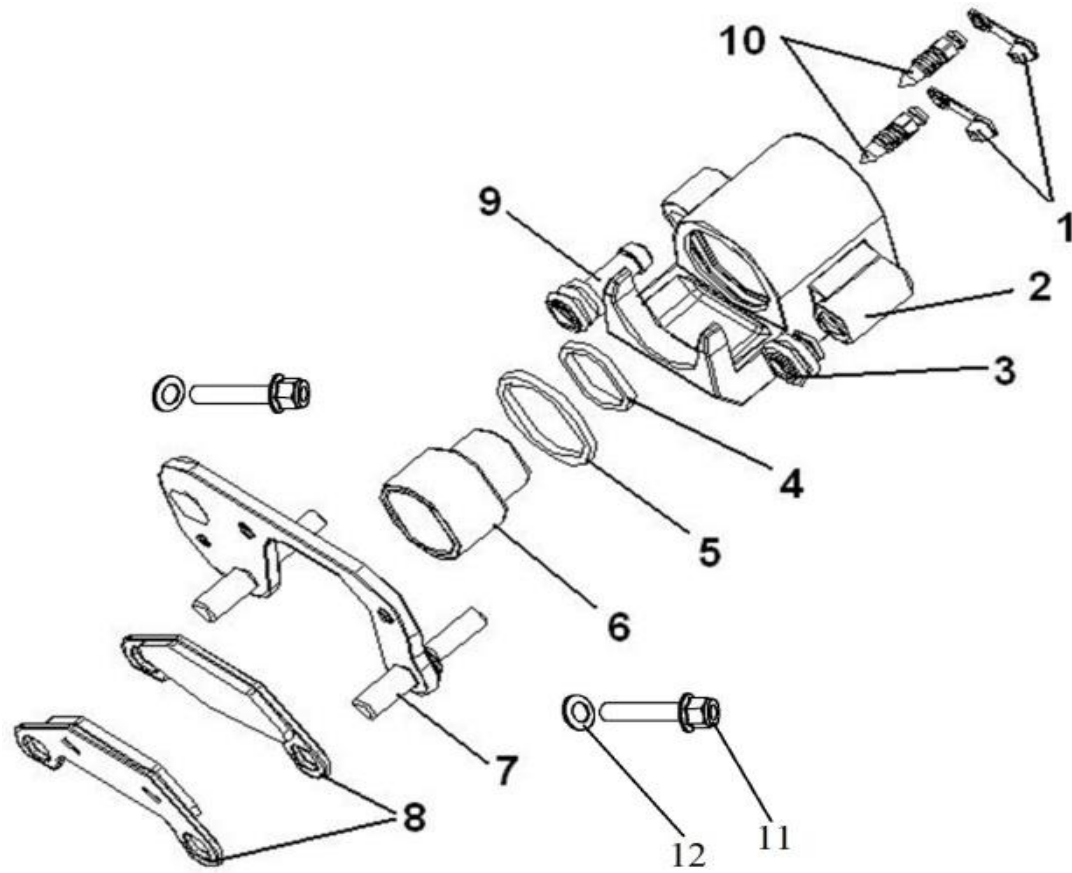


Fig. 20: Bremskaliber, højre - front & bag / brake caliper, right - front & rear

Ref. no.	PL nr / art. no.	Varenavn	Art. name	OE no.	Antal / pcs
1	N/A	Støvhætte t/udluftning	Dustproof cover of blowhole	35538	2
2	N/A	Kaliber enhed, højre	Caliber body, right	35539	1
3	N/A	Støvhætte t/nederste aksel	Dustproof cover of the below axle	35540	1
4	N/A	Pakningsskive 27	Big sealing ring 27	35541	1
5	N/A	Pakningsskive 38	Big sealing ring 38	35542	1
6	N/A	Stempel, kaliber	Caliper piston	35543	1
7	N/A	Beslag	Bracket	35544	1
8	9029926	Bremseklodser, sæt - front	Inside and outside pad	22245	2
9	N/A	Støvhætte t/øverste aksel	Dustproof cover of the above axle	35545	1
10	N/A	Udluftning	Blowhole	35546	2
11	N/A	Bolt, M5x12	Bolt, M5x12	35547	2
12	N/A	Skive	Washer	35548	2

Fig. 21: Bremskaliber, venstre - front & bag / brake caliper, left - front & rear

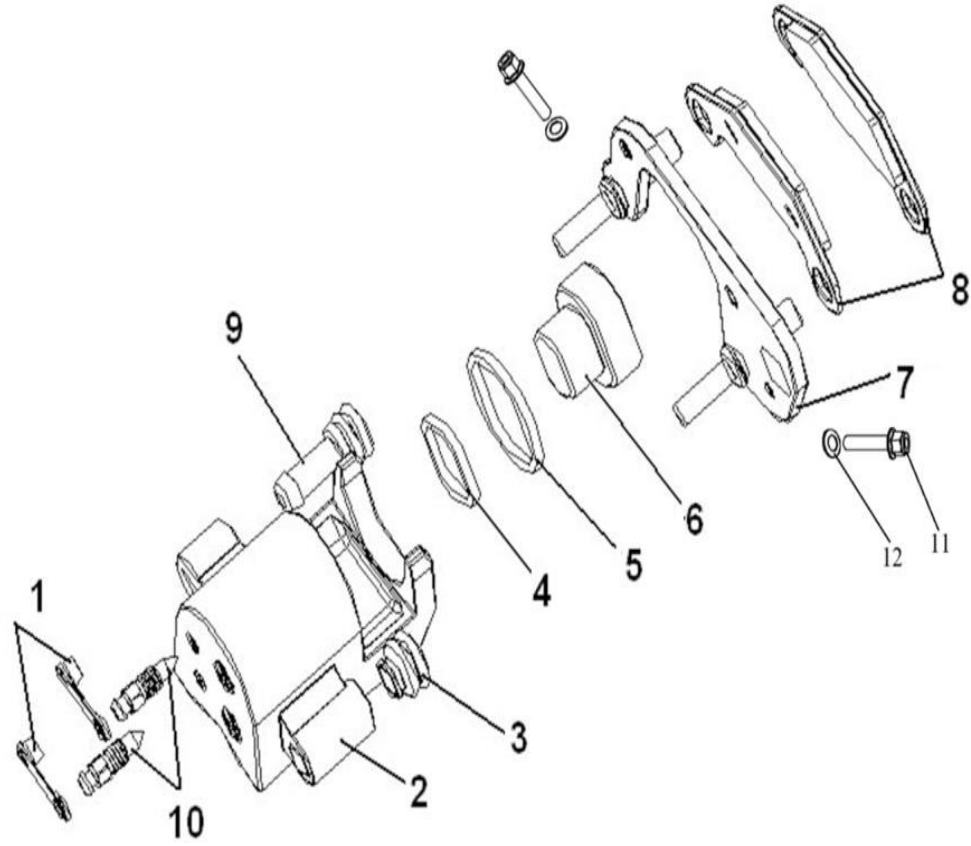


Fig. 21: Bremsekaliber, venstre - front & bag / brake caliper, left - front & rear

Ref. no.	PL nr / art. no.	Varenavn	Art. name	OE no.	Antal / pcs
1	N/A	Støvhætte t/udluftning	Dustproof cover of blowhole	35538	2
2	N/A	Kaliber enhed, venstre	Caliber body, left	35549	1
3	N/A	Støvhætte t/nederste aksel	Dustproof cover of the below axle	35540	1
4	N/A	Pakningsskive 27	Big sealing ring 27	35541	1
5	N/A	Pakningsskive 38	Big sealing ring 38	35542	1
6	N/A	Stempel, kaliber	Caliper piston	35543	1
7	N/A	Beslag	Bracket	35544	1
7	N/A	Beslag	Bracket	35550	1
8	9029926	Bremseklodser, sæt - front	Inside and outside pad	22245	2
9	N/A	Støvhætte t/øverste aksel	Dustproof cover of the above axle	35545	1
10	N/A	Udluftning	Blowhole	35546	2
11	N/A	Bolt, M5x12	Bolt, M5x12	35547	2
12	N/A	Skive	Washer	35548	2

Fig. 22: Parkeringsbremse / auxiliary brake

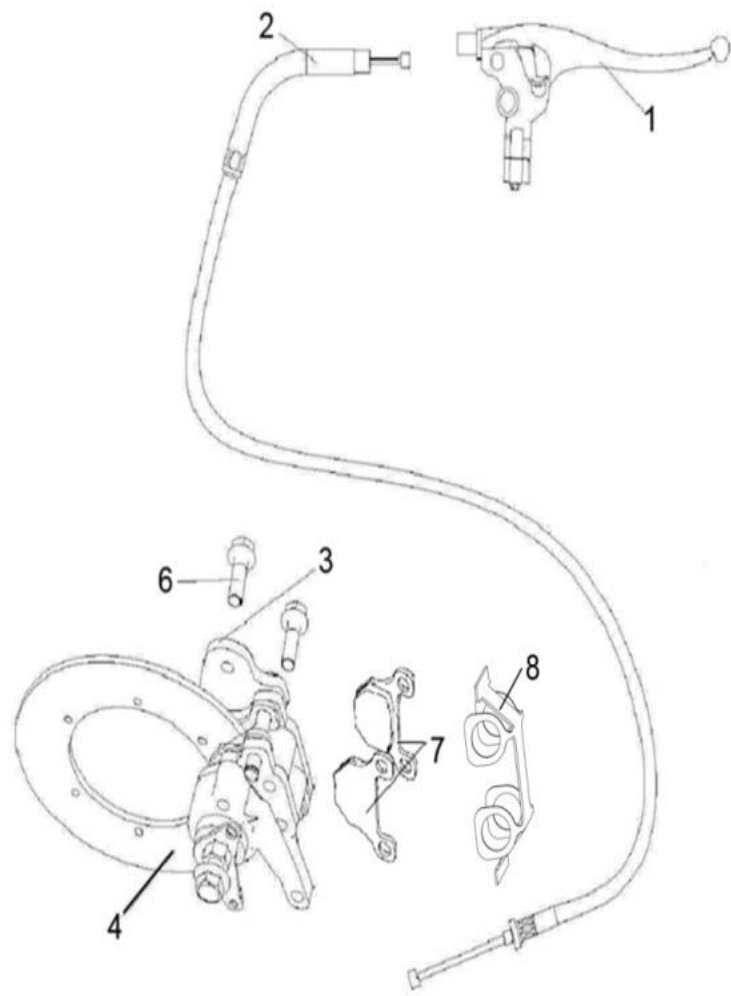


Fig. 22: Parkeringsbremse / auxiliary brake

Ref. no.	PL nr / art. no.	Varenavn	Art. name	OE no.	Antal / pcs
1	9039646	Bremsehåndtag	Master cylinder w/lever	70636	1
2	9039647	Bremsekabel	Brake cable	70637	1
3	9057204	Bremsekaliber	Brake caliper	35074	1
4	9057205	Skivebremse	Disc brake	35075	1
6	9050233	Bolt, M8x40	Bolt, M8x40	10218	2
7	9057206	Bremseklods	Brake pad	32176G	2
8	9057207	Begrænser	Limit spring plate	35530	1

Fig. 23: Bremspedal / pedal brake

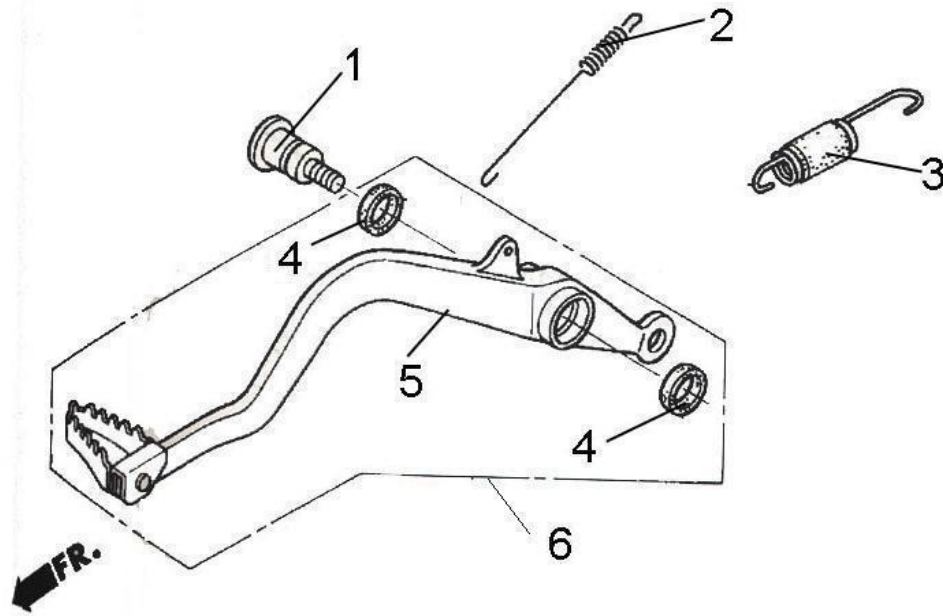


Fig. 23: Bremspedal / pedal brake

Ref. no.	PL nr / art. no.	Varenavn	Art. name	OE no.	Antal / pcs
1	9039640	Bolt, spec. t/bremsepedal	Shaft, brake pivot	70542	1
2	9039424	Fjeder f/stopkontakt, fod	Spring, stop switch	27349	1
3	9029986	Fjeder	Spring assy	25539	1
3	9057208	Fjeder, komplet (bremsepedal)	Spring assy (new model)	35502	1
4	9039638	Pakdåse f/pedalaksel	Dust seal	70540	2
5	N/A	Bremsepedal	Pedal brake	25146	1
6	9030756	Bremsepedal sæt	Pedal brake assy	25147	1

Fig. 24: Kofanger og stel / bumper and rack

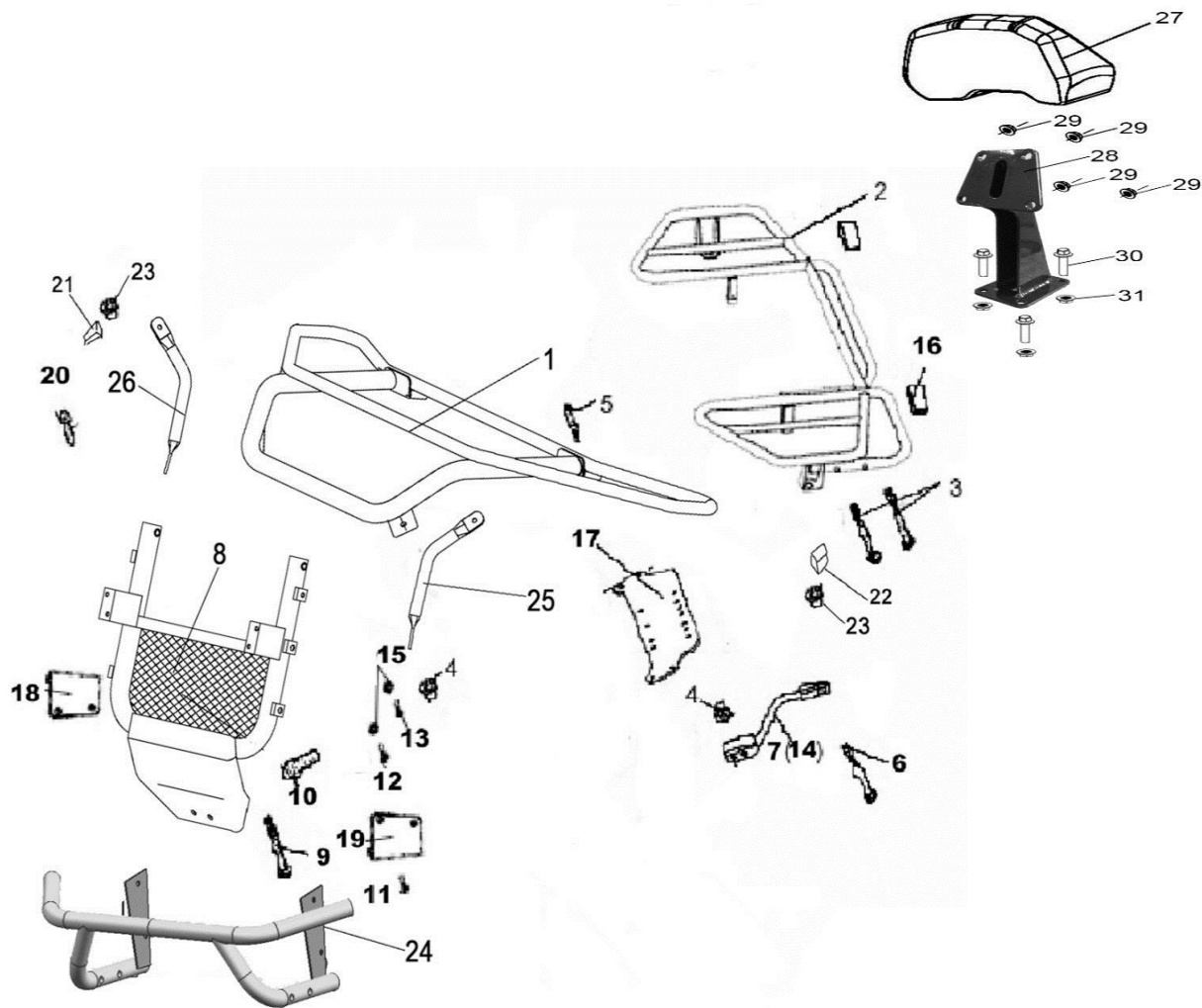


Fig. 24: Kofanger og stel / bumper and rack

Ref. no.	PL nr / art. no.	Varenavn	Art. name	OE no.	Antal / pcs
1	9045057	Bagagebærer, for (EU)	Front rack (EU)	27439	1
2	9057209	Bagagebærer, bag (EU)	Rear rack (EU)	35527	1
	N/A	Bagagebærer, bag (US)	Rear rack (US)	27364a	1
3	9033869 (inaktiv)	Bolt, M8x45	Bolt, M8x45	10055	4
4	9050207	Møtrik, M8	Nut, M8	10079	4
5	9033887 (inaktiv)	Bolt, M8x25	Bolt, M8x25	10059	2
6	N/A	Bolt, M8x85	Bolt, M8x85	10819	2
7	9057210	Bagagebærer, beslag (venstre)	Trestle 1, left	35026	1
8	9057211	Beslag f/kofanger	Bumper bracket	27441	1
9	9050236	Bolt, M8x70	Bolt, M8x70	25056	4
10	9033887 (inaktiv)	Bolt, M8x25	Bolt, M8x25	10059	2
11	N/A	Bolt, M8x55	Bolt, M8x55	10511	4
12	9050231	Bolt, M8x20	Bolt, M8x20	10081	2
13	9033887 (inaktiv)	Bolt, M8x25	Bolt, M8x25	10059	2
14	9057212	Bagagebærer, beslag (højrel)	Trestle 1, right	35027	1
15	N/A	Skive	Washer	26009	4
16	9034298 (inaktiv)	Refleks, rød (EU)	Front reflector, red (EU)	22321	2
17	9057213	Bagagebærer, beslag	Bracket, pulling	70366	1
18	9057214	Holder f/beslag, højre	Holder, R, pulling bracket	27387	1
19	9057215	Holder f/beslag, venstre	Holder, L, pulling bracket	27386	1
20	9034420 (inaktiv)	Bolt, M6x12	Bolt, M6x12	10140	4
24	N/A	Kofanger, forrest	Front bumper	27443	1
25	N/A	Bagagebærer, bag (V)	Front support tube, L	27444	1
26	N/A	Bagagebærer, bag (R)	Front support tube, R	27445	1
27	9057216	Rygstøtte	Backrest	35383	1
28	9057217	Rygstøtte, bag	Rear backrest weld assy	35384	1
29	9050207	Møtrik, M8	Nut, M8	10919	4
30	9033887 (inaktiv)	Bolt, M8x25	Bolt, M8x25	10059	4
31	9050207	Møtrik, M8	Nut, M8	10079	4

Fig. 25: Motor / engine

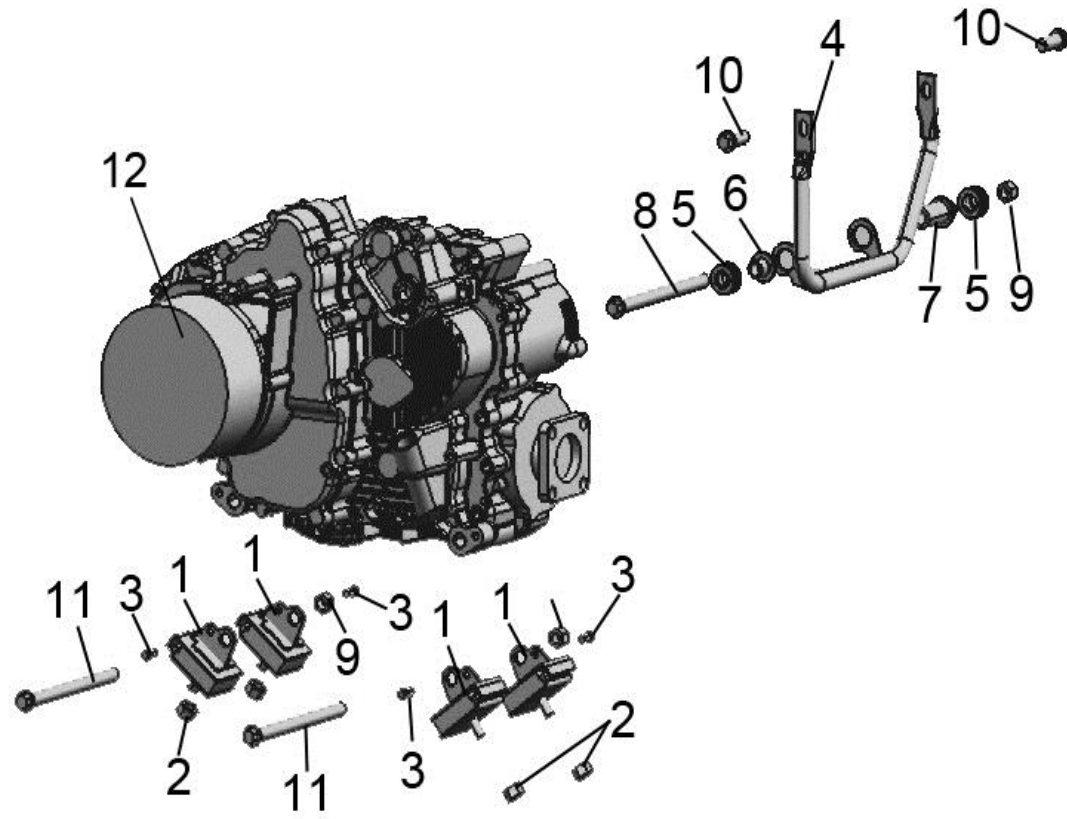


Fig. 25: Motor / engine

Ref. no.	PL nr / art. no.	Varenavn	Art. name	OE no.	Antal / pcs
1	9057218	Bøsning t/motorbeslag	Bushing, engine bracket	35503	4
2	N/A	Møtrik, M10x1,25	Nut, M10x1,25	10015	4
3	9050220	Bolt, M6x16	Bolt, M6x16	10928	4
4	9057219	Frontbeslag	Front engine, mounting bracket	35504	1
5	9057220	Gummibøsning	Rubber bushing	35505	2
6	N/A	Afstandsstykke, 1	Spacer 1	35506	1
7	N/A	Afstandsstykke, 2	Spacer 2	35507	1
8	9057221	Bolt, M12x1,25x170	Bolt, M12x1,25x170	10929	1
9	9033896	Møtrik, M12x1,25	Nut, M12x1,25	10136	3
10	9050230	Bolt, M8x16	Bolt, M8x16	10183	2
11	9057222	Bolt, M12x1,25x150	Bolt, M12x1,25x150	10930	2
12	9057223	Motor, komplet	Engine, assy	35524	1

Fig. 26: Gearkasse, front / gearbox, front

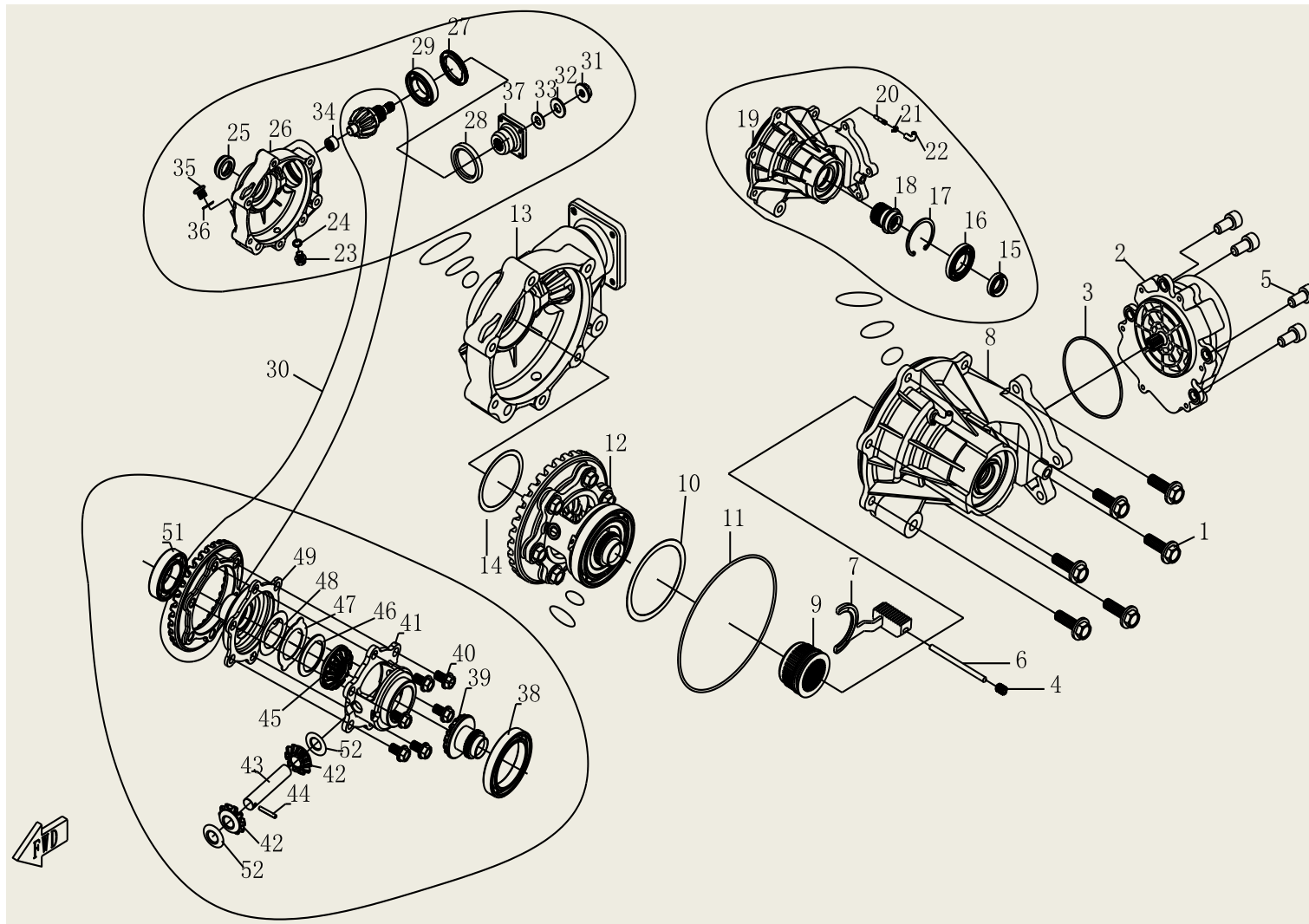


Fig. 26: Gearkasse, front / gearbox, front

Ref. no.	PL nr / art. no.	Varenavn	Art. name	OE no.	Antal / pcs
1	N/A	Bolt, M8x28	Bolt, M8x28	35387	6
2	9057224	Gear, motor	Gear motor	35388	1
3	9057225	O-ring, Ø81,2x1,9	O-ring, Ø81,2x1,9	35389	1
4	N/A	Skrue, M8x10	Screw M8x10	35390	1
5	N/A	Skrue	Screw	35391	4
6	N/A	Akseltap	Pin shaft	35392	1
7	9057226	Skiftegeaffel	Shift fork	35393	1
8	9057227	Gearkasse, front aksel	Gear case assy, front axle	35394	1
9	N/A	Tandhjul, kobling	Drive clutch	35395	1
10-1	N/A	Justerbar shim, 83x71x0,2	Adjustable shim, 83x71x0,2	35396	
10-2	N/A	Justerbar shim, 83x71x0,3	Adjustable shim, 83x71x0,3	35397	
10-3	N/A	Justerbar shim, 83x71x0,4	Adjustable shim, 83x71x0,4	35398	
10-4	N/A	Justerbar shim, 83x71x0,5	Adjustable shim, 83x71x0,5	35399	
10-5	N/A	Justerbar shim, 83x71x1	Adjustable shim, 83x71x1	35400	
11	9057228	O-ring, Ø141x2,4	O-Ring φ141x2.4	35401	1
12	9057229	Gear, differentiale - komplet	Differential gear, assy	35402	1
13	9057230	Cover, front aksel - komplet	Case cover assy, front axle	35403	1
14-1	N/A	Justerbar shim, 61x48x0,1	Adjustable shim, 61x48x0,1	35404	
14-2	N/A	Justerbar shim, 61x48x0,2	Adjustable shim, 61x48x0,2	35405	
14-3	N/A	Justerbar shim, 61x48x0,3	Adjustable shim, 61x48x0,3	35406	
14-4	N/A	Justerbar shim, 61x48x0,4	Adjustable shim, 61x48x0,4	35407	
14-5	N/A	Justerbar shim, 61x48x0,5	Adjustable shim, 61x48x0,5	35408	
14-6	N/A	Justerbar shim, 61x48x1	Adjustable shim, 61x48x1	35409	
15	9057231	Pakdåse, 34x38x8	Oil seal	35410	1
16	9057232	Leje	Bearing	35411	1
17	N/A	Holder	Retainer 62	35412	1
18	N/A	Tandhjul, cover	Drive clutch cover	35413	1
19	N/A	Gear	Gear case, front axle	35414	1
20	N/A	Samler	Joint, breather pipe	35415	1
21	N/A	Rør	Breather pipe	35416	1
22	N/A	Clamp	Wire clamp A7	35417	1
23	N/A	Bolt	Drain bolt, M10x1,25	35418	1
24	N/A	Skive	Washer	35419	1
25	9057233	Pakdåse, 24x38x8	Oil seal, 24x38x8	35420	1
26	N/A	Cover	Case cover, front axle	35421	1

27	N/A	Hus f/leje	Bearing retainer	35422	1
28	9057235	Pakdåse, 48x65x9	Oil seal	35423	1
29	9057236	Leje, 6007	Bearing 6007	35424	1
30	N/A	Tandhjul	Drive pinion gear and differential gear	35425	1
31	N/A	Møtrik, M14x1,5	Nut, M14x1.5	35426	1
32	N/A	Møtrikskive	Nut washer	35427	1
33	9057237	O-ring, 14x6,8	O-Ring	35428	1
34	9057238	Nåleleje	Needle bearing	35429	1
35	N/A	Bolt, M14x1,25x12	Bolt, M14x1,25x12	35430	1
36	N/A	Skive	Washer	35431	1
37	N/A	Forbindelsesled	Coupler	35432	1
38	9057239	Leje, 61912	Bearing, 61912	35433	1
39	N/A	Tandhjul	Drive gear	35434	1
40	N/A	Bolt, M10x1,25x22	Bolt, M10x1,25x22	35435	6
41	N/A	Beslag, differentiale	Bracket, differential	35436	1
42	N/A	Gear, differentiale	Gear (center), differential	35437	2
43	N/A	Gear aksel	Gear shaft (center) differential	35438	1
44	N/A	Stift	Pin	35439	1
45	N/A	Tandhjul	Driven gear	35440	1
46	N/A	Skive	Washer	35441	1
47	N/A	Shim	Shim	35442	1
48-1	N/A	Justerbar shim, 0.10	Adjustable shim, 0.10	35443	
48-2	N/A	Justerbar shim, 0.20	Adjustable shim, 0.20	35444	
48-3	N/A	Justerbar shim, 0.30	Adjustable shim, 0.30	35445	
48-4	N/A	Justerbar shim, 0.40	Adjustable shim, 0.40	35446	
48-5	N/A	Justerbar shim, 0.50	Adjustable shim, 0.50	35447	
48-6	N/A	Justerbar shim, 1.00	Adjustable shim, 1.00	35448	
49	N/A	Top beslag, differentiale	Top bracket, differential gear	35449	1
51	9057236	Leje, 6007	Bearing 6007	35424	1
52	N/A	Ring	Wearing ring	35450	2

Fig. 27: Gearkasse, gammel model / gearbox, old model

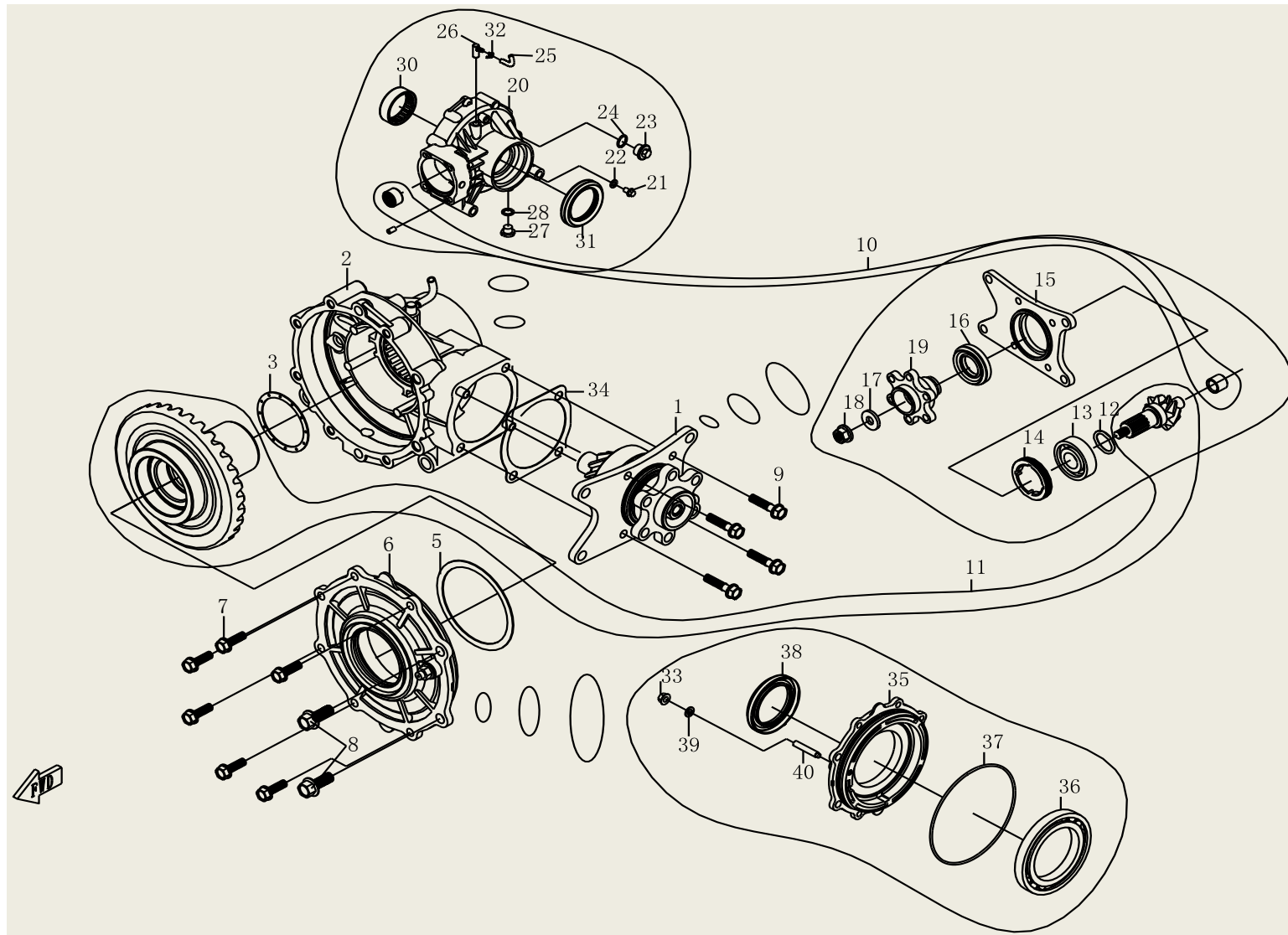


Fig. 27: Gearkasse, gammel model / gearbox, old model

Ref. no.	PL nr / art. no.	Varenavn	Art. name	OE no.	Antal / pcs
1	N/A	Tandhjul	Drive bevel gear assembly	35451	1
2	N/A	Gear	Rear gear case	35452	1
3-1	N/A	Justerbar shim (1) 1.0	Adjustable shim (1) 1.0	35453	
3-2	N/A	Justerbar shim (1) 1.2	Adjustable shim (1) 1.2	35454	
3-3	N/A	Justerbar shim (1) 1.4	Adjustable shim (1) 1.4	35455	
3-4	N/A	Justerbar shim (1) 1.6	Adjustable shim (1) 1.6	35456	
3-5	N/A	Justerbar shim (1) 1.6	Adjustable shim (1) 1.6	35457	
5-1	N/A	Justerbar shim (2) 0.2	Adjustable shim (2) 0.2	35458	
5-2	N/A	Justerbar shim (2) 0.3	Adjustable shim (2) 0.3	35459	
5-3	N/A	Justerbar shim (2) 0.4	Adjustable shim (2) 0.4	35460	
6	N/A	Ring	Ring gear bearing housing	35461	1
7	N/A	Bolt, M8x25	Bolt, M8x25	35462	6
8	N/A	Bolt, M10x25	Bolt, M10x25	35463	2
9	N/A	Bolt, M8x35	Bolt, M8x35	35464	4
10	N/A	Bøsning	Inner & outer race NA 5903 17×30×18	35465	1
11	N/A	Tandhjul	Bevel gear comp. rear axle	35466	1
12	N/A	Justerbar shim	Adjustable shim	35467	1-2
13	N/A	Leje, 6305	Bearing, 6305	35468	1
14	N/A	Hus f/leje	Bearing retainer	35469	1
15	N/A	Tandhjulshus	Bevel gear bearing housing	35470	1
16	N/A	Olie pakring, Ø35xØ61x9	Oil seal, Ø35xØ61x9	35471	1
17	N/A	Skive, 12,5x30x4	Washer, 12.5×30×4	35472	1
18	N/A	Møtrik, M12x1,25	Nut, M12x1,25	35473	1
19	N/A	Forbindelsesled, bagaksel	Coupler, rear axle	35474	1
20	N/A	Gear	Rear gear case	35475	1
21	N/A	Bolt, M8x12,5	Bolt, M8x12,5	35476	1
22	N/A	Skive, 8,2x15x1,5	Washer, 8.2×15×1.5	35477	1
23	N/A	Bolt, M20x1,5x12	Bolt, M20x1,5x12	35478	1
24	N/A	O-ring, 19x2,5	O-ring, 19x2,5	35479	1
25	N/A	Rør	Breather pipe	35480	1
26	N/A	Samler	Pipe joint	35481	1
27	N/A	Bolt, M14x1,25x12	Bolt, M14x1,25x12	35482	1
28	N/A	Skive	Washer	35483	1
30	N/A	Nåleleje, 55BTM6720A	Needle bearing, 55BTM6720A	35484	1

31	N/A	Olie pakring, SD4 65×90×9 NS	Oil seal, SD4 65×90×9 NS	35485	1
32	N/A	Clamp	Wire clamp A7 QC/T621-1999	35486	1
33	9050207	Møtrik, M8	Nut, M8	35487	1
34-1	N/A	Justerbar shim (0.40)	Adjustable shim (0.40)	35488	
34-2	N/A	Justerbar shim (0.50)	Adjustable shim (0.50)	35489	
34-3	N/A	Justerbar shim (0.60)	Adjustable shim (0.60)	35490	
35	N/A	Lejehus, bakgear	Rear gear bearing housing	35491	1
36	N/A	Leje, 16017/C2	Bearing, 16017/C2	35492	1
37	N/A	O-ring, 151x3	O-ring, 151x3	35493	1
38	N/A	Olie pakring, SD4 65×90×9 NS	Oil seal, SD4 65×90×9 NS	35485	1
39	N/A	Pakning, 8,2x15x1,5	Gasket, 8.2×15×1.5	35495	1
40	N/A	Skrue, M8x45	Hex screw, M8x45	35496	1

Fig. 28: Gearkasse, bag - ny model / gearbox, rear - new model

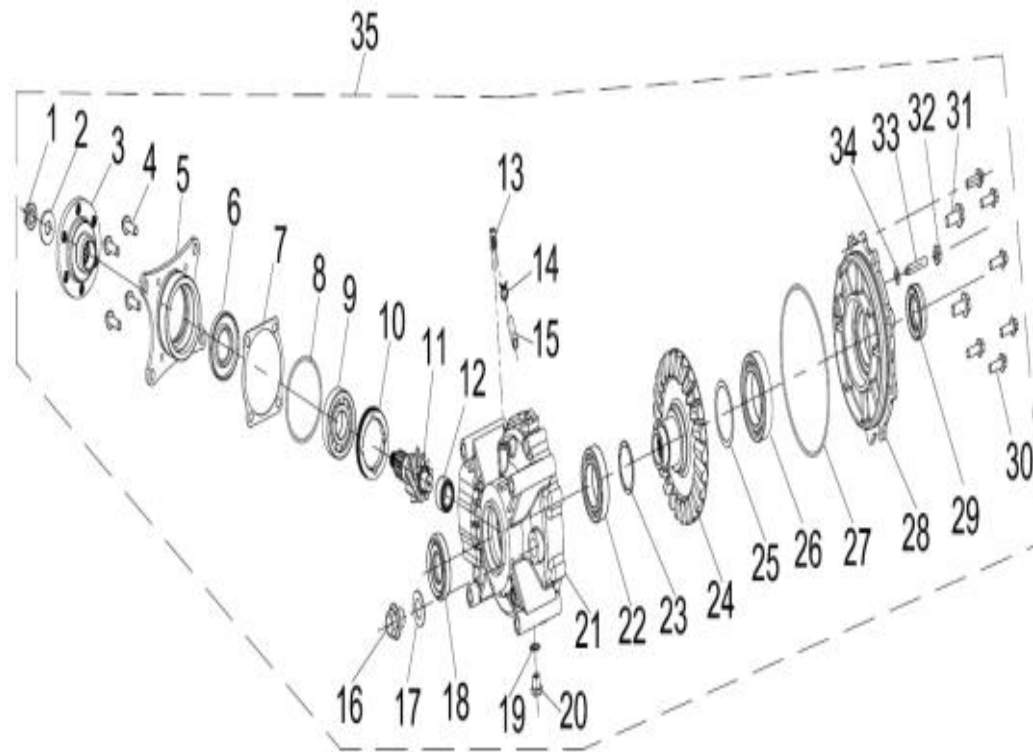


Fig. 28: Gearkasse, bag - ny model / gearbox, rear - new model

Ref. no.	PL nr / art. no.	Varenavn	Art. name	OE no.	Antal / pcs
1	N/A	Møtrik, M12x1,25	Nut, M12x1,25	35473	1
2	N/A	Skive, 12,5x30x4	Washer, 12,5x30x4	26309	1
3	9057240	Forbindelsesled, bagaksel	Coupler, rear axle	35474	1
4	9050232	Bolt, M8x30	Bolt, M8x30	10078	4
5	N/A	Tandhjulshus	Bevel gear bearing housing	26304	1
6	9057241	Pakdåse, Ø35xØ61x9,5	Oil seal, Ø35xØ61x9,5	35471	1
7	N/A	Justerbar shim	Adjustable shim	26308	
8	9057242	O-ring, 69x3	O-ring, 69x3	26311	1
9	N/A	Leje, 6305	Bearing, 6305	35468	1
10	N/A	Holder f/leje, M64x1,5x10	Bearing retainer, M64x1,5x10	26310	1
11	9057243	Spidshjul, komplet	Active bevel gear assembly	26313	1
12	9057244	Nåleleje	Needle bearing	35465	1
13	9034516 (inaktiv)	Udluftningsventil	Vent nozzle	21112	1
14	N/A	Clamps	Clamps	25107	1
15	9033871 (inaktiv)	Udluftningsslange	Vent pipe	21111	1
16	N/A	Bolt, M18x1,25	Bolt, M18x1,25	83179	1
17	N/A	Skive	Washer	83180	1
18	9057245	Pakdåse, 30x60x15	Oil seal, 30x60x15	26303	1
19	N/A	Skive	Washer	83462	1
20	N/A	6-kantet bolt	Hexagon head bolt	83010	1
21	N/A	Bakgear hus	Rear gear case	26312	1
22	9057246	Leje, 6008	Bearing, 6008	10958	1
23	N/A	Justerbar shim, 48x40,3	Adj. shim, 48x40,3	26305	
24	N/A	Tandhjul	Drive bevel gear assembly	26307	1
25	N/A	Justerbar shim, 60,5x50,3	Adj. shim, 60,5x50,3	26306	
26	9057247	Leje, 6010	Bearing, 6010	10569	1
27	9057248	O-ring, 151x3	O-ring, 151x3	35493	1
28	N/A	Lejehus f/bakgear	Rear gear bearing housing	26301	1
29	9057249	Pakdåse, 30x50x13,5	Oil seal, 30x50x13,5	26302	1
30	9033887 (inaktiv)	Bolt, M8x25	Bolt, M8x25	10059	6
31	N/A	Bolt, M10x25	Bolt, M10x25	35463	2
32	9050207	Møtrik, M8	Nut, M8	35487	1
33	N/A	Skrue, M8x45	Hex screw, M8x45	10955	1
34	N/A	Skive	Washer	43615	1
35	9057250	Bagtøj, komplet	Rear axle, assembly	26300	1

Fig. 29: Hovedcylinder / cylinder head cover

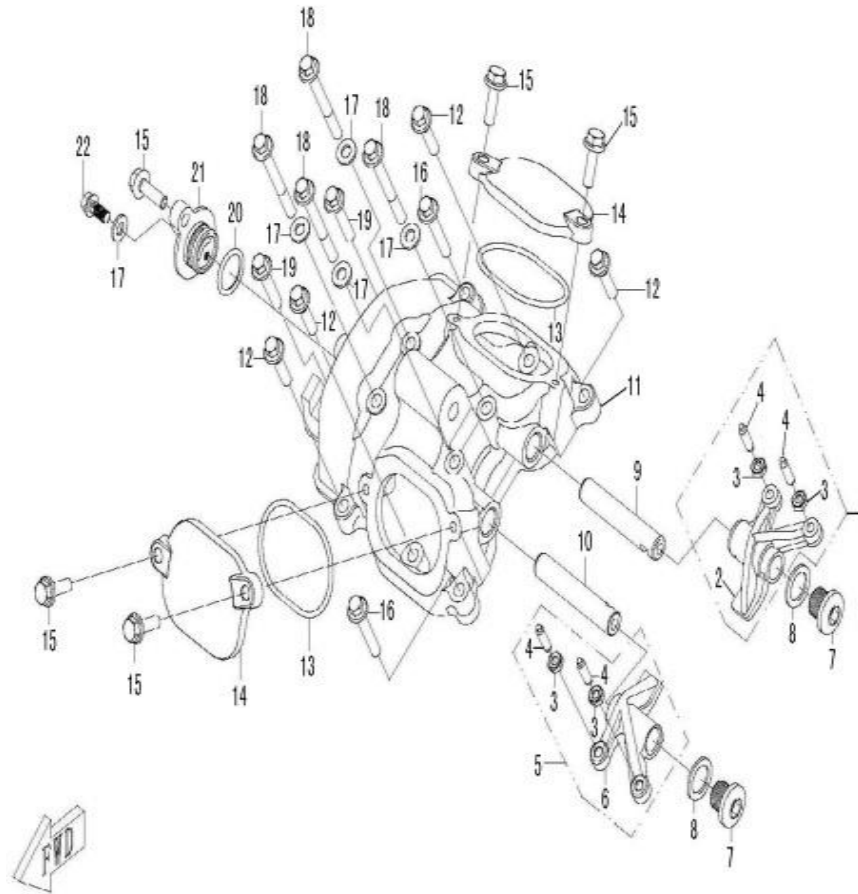


Fig. 29: Hovedcylinder / cylinder head cover

Ref. no.	PL nr / art. no.	Varenavn	Art. name	OE no.	Antal / pcs
1	9057251	Vippearm, ind sugning	Intake rocker arm comp	35143	1
2	N/A	Vippearm, ventil	Intake rocker arm valve	35144	1
3	N/A	Justeringsmøtrik	Adjusting nut valve	35146	4
4	N/A	Justeringskrue	Adjusting screw valve	35147	4
5	9057252	Vippearm, udstødning	Exhaust rocker arm comp	35148	1
6	N/A	Vippearm, ventil	Exhaust rocker arm valve	35149	1
7	N/A	Bolt, M14x1,25x12	Bolt, M14x1,25x12	35150	2
8	9057253	Skive	Washer	35215	2
9	N/A	Vippearm, aksel	Intake rocker shaft	35142	1
10	N/A	Vippearm, aksel	Exhaust rocker shaft	35145	1
11	N/A	Cover f/hovedcylinder	Cylinder head cover	35110	1
12	N/A	Bolt, M6x25	Bolt, M6x25	10187	4
13	9057254	Pakning	Gasket	35111	2
14	N/A	Cover f/justeringsventil	Valve adjust cover	35107	2
15	9034625	Bolt, M6x20	Bolt, M6x20	10110	5
16	N/A	Bolt, M6x35	Bolt, M6x35	10186	2
17	N/A	Skive	Washer	35108	5
18	N/A	Bolt, M6x55	Bolt, M6x55	10530	4
19	9050222	Bolt, M6x30	Bolt, M6x30	10182	2
20	9057255	O-ring, 18x2,4	O-ring, 18x2,4	35113	1
21	9057256	Hætte	Seal cover	35112	1
22	9034420	Bolt, M6x12	Bolt, M6x12	10140	1

Fig. 30: Hovedcylinder / cylinder head

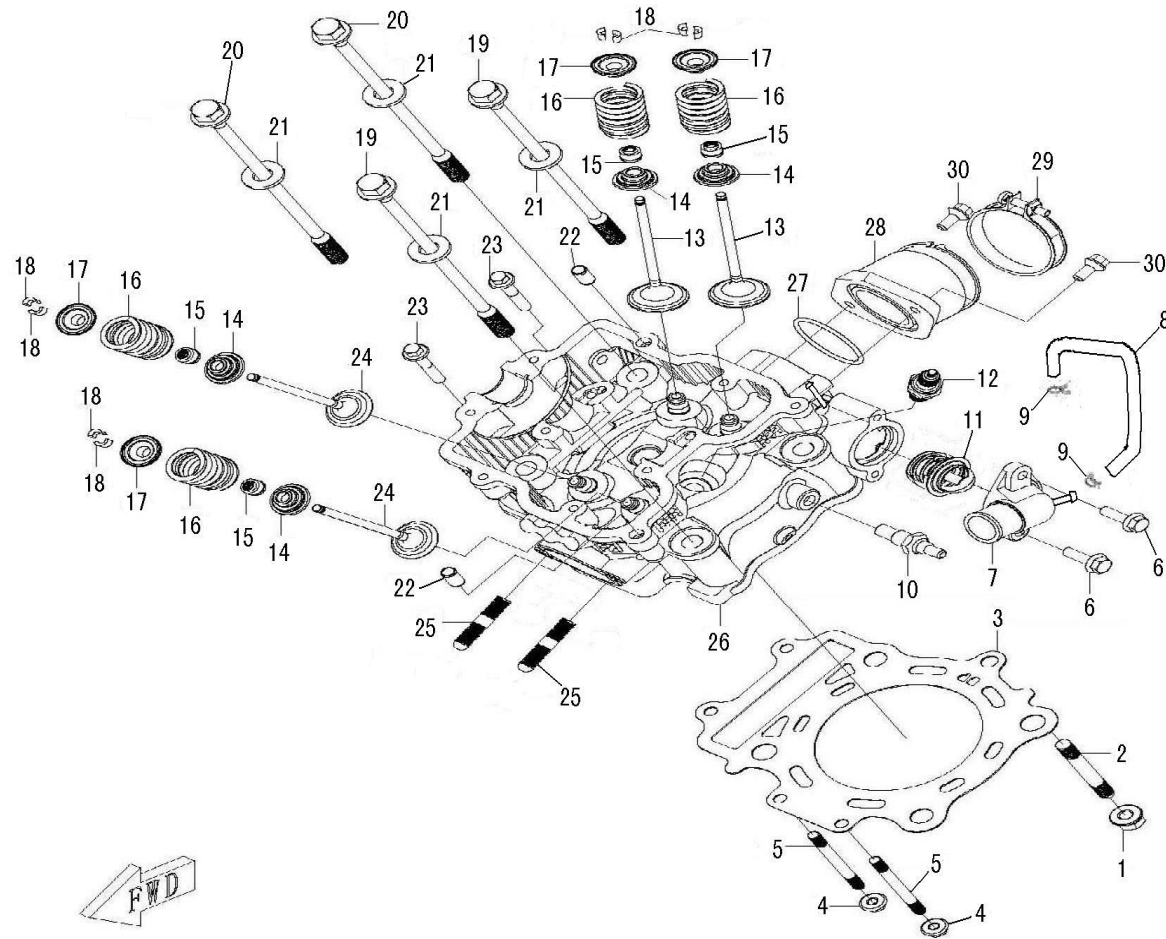


Fig. 30: Hovedcylinder / cylinder head

Ref. no.	PL nr / art. no.	Varenavn	Art. name	OE no.	Antal / pcs
1	N/A	Møtrik, M8	Thrust nut, M8	10067	1
2	N/A	Stift, M8x68	Stud, M8x68	35097	1
3	9057257	Toppakning	Gasket, cylinder head	35106	1
4	9050206	Møtrik, M6	Thrust nut, M6	10004	2
5	N/A	Stift, M6x72	Stud, M6x72	35098	2
6	N/A	Bolt, M6x22	Bolt, M6x22	10278	2
7	9057258	Samlestykke	Water outlet joint, cylinder head	35103	1
8	9057259	Rør	Pipe, cylinder head	35104	1
9	N/A	Clip, 7,5	Clip, 7,5	35109	2
10	N/A	Temperaturføler, vand	Water temperature sensor	35095	1
11	9057260	Termostat	Thermostat	35171	1
12	9057261	Tændrør, NGK DPR7EA-9	Sparkplug DPR7EA-9 (NGK)	35105	1
13	9057262	Indsugningsventil	Intake valve	35135	2
14	9057263	Hus f/fjederventil	Seat spring valve	35137	4
15	9057264	Hus f/ventilstamme	Seat valve stem	35140	4
16	9057265	Fjederventil	Spring valve	35136	4
17	9057266	Holder t/fjederventil	Retainer, spring valve	35138	4
18	9057267	Ventilsplit	Cotter valve	35139	8
19	9057268	Bolt f/cylinder, M10x1,25x190	Cylinder bolt, M10x1,25x190	35100	2
20	9057269	Bolt f/cylinder, M10x1,25x200	Cylinder bolt, M10x1,25x200	35101	2
21	9057270	Skive f/cylinder	Washer, cylinder bolt	35102	4
22	N/A	Styretap, 8x14	Dowel pin, 8x14	50076	2
23	N/A	Bolt, M6x35	Bolt, M6x35	10186	2
24	9057271	Udsugningsventil	Exhaust valve	35141	2
25	N/A	Stift, M8x42	Stud, M8x42	35099	2
26	N/A	Cylinderhoved	Cylinder head	35096	1
27	9057272	O-ring, 40x2,4	O-ring, 40x2,4	35207	1
28	9057273	Samler, karburator	Joint, carburetor	35210	1
29	N/A	Clamp f/indsugningsrør	Air inlet pipe clamp	35208	1
30	N/A	Skrue, M6x16	Screw, M6x16	35209	2

Fig. 31: Knastaksel / camshaft

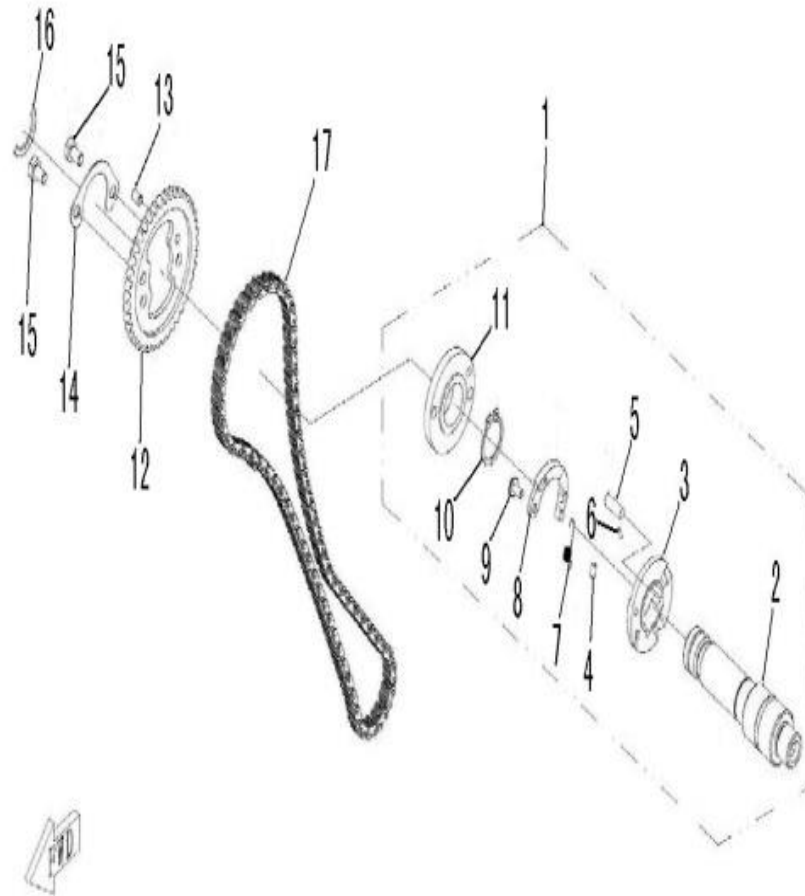


Fig. 31: Knastaksel / camshaft

Ref. no.	PL nr / art. no.	Varenavn	Art. name	OE no.	Antal / pcs
1	9057274	Knastaksel, komplet	Camshaft, assy	35156	1
2	N/A	Knastaksel	Camshaft	35151	1
3	N/A	Begrænser	Limit cam	35168	1
4	N/A	Styretap, dekompression	Dowel pin, decompressor	35167	1
5	N/A	Dekompression	Decompressor cam	35170	1
6	N/A	Aksel	Deflector rod	35169	1
7	N/A	Fjeder, dekompression	Decompressor spring	35164	1
8	N/A	Vippearm, dekompr.	Decompressor rocker arm	35165	1
9	N/A	Vippearm, dekompr., stempel	Decompressor rocker arm wrist	35166	1
10	N/A	Låsering 22	Retainer 22	10841	1
11	N/A	Flange, knastaksel	Flange, camshaft	35155	1
12	9057275	Tandhjul, knastaksel	Timing chain	35154	1
13	N/A	Styretap, fjeder	Dowel pin, timing spring	10835	1
14	N/A	Låsering	Retainer	35153	1
15	N/A	Bolt, M6x10	Bolt, M6x10	10828	2
16	N/A	Afstandsstykke, knastaksel	Camshaft spacer	35152	1
17	9057276	Kæde, knastaksel	Timing chain	35163	1

Fig. 32: Cylinder / cylinder

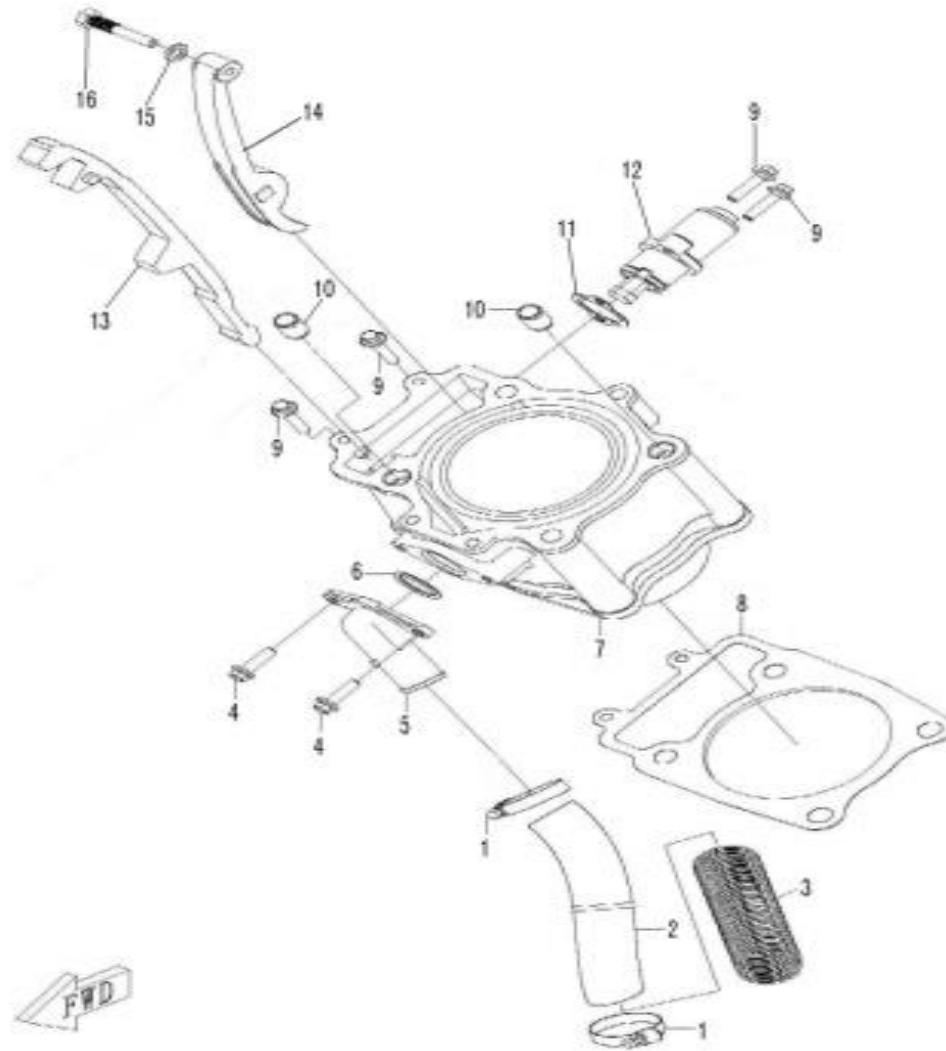


Fig. 32: Cylinder / cylinder

Ref. no.	PL nr / art. no.	Varenavn	Art. name	OE no.	Antal / pcs
1	N/A	Clamp, 20/32	Clamp, 20/32	35343	2
2	9057277	Rør, tilgang	Water inlet hose	35116	1
3	9057278	Manchet	Sleeve, waterhose	35117	1
4	N/A	Bolt, M6x22	Bolt, M6x22	10278	2
5	9057279	Samling	Joint, water inlet	35114	1
6	9057280	O-ring, 24x2,5	O-ring, 24x2,5	35115	1
7	9057281	Cylinder	Cylinder	35119	1
8	9057282	Cylinderpakning	Gasket, cylinder	35120	1
9	N/A	Bolt, M6x25	Bolt, M6x25	10187	4
10	N/A	Styretap, 13x18	Dowel pin, 13x18	35118	2
11	9057283	Pakning, strammer	Gasket, tensioner	35158	1
12	9057284	Kædestrammer	Tensioner	35157	1
13	9057285	Kædestyr	Timing chain guide	35159	1
14	9057286	Kædestyr, plade	Tensioner plate	35160	1
15	N/A	Skive	Washer	35162	1
16	N/A	Bolt, strammer	Bolt, tensioner plate	35161	1

Fig. 33: Krumtapaksel / crankshaft

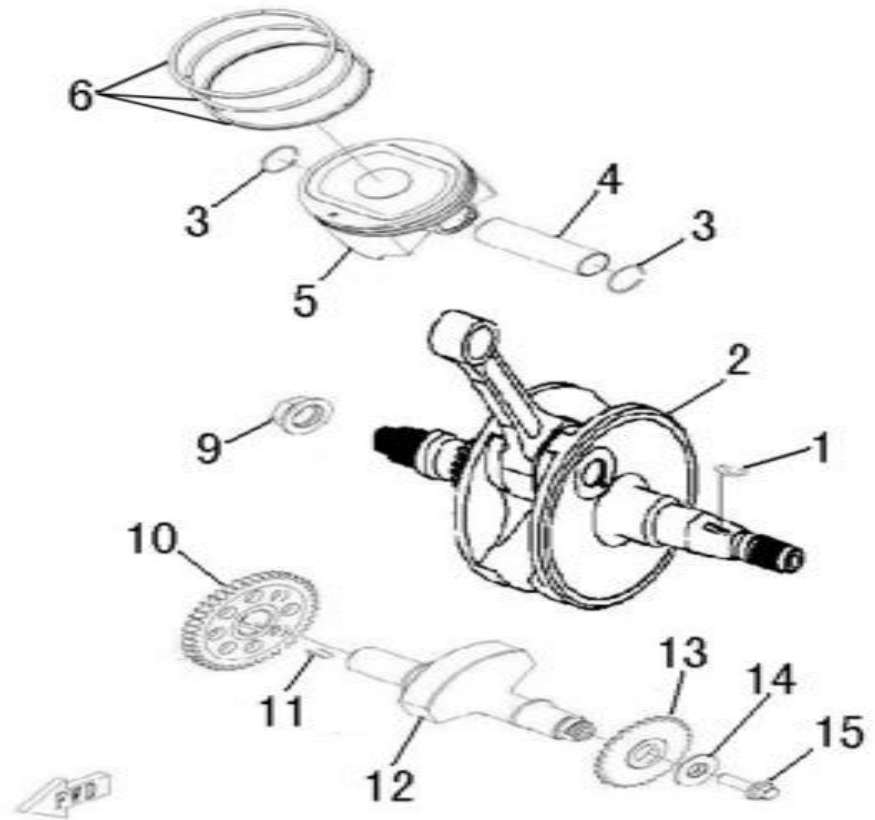


Fig. 33: Krumtapaksel / crankshaft

Ref. no.	PL nr / art. no.	Varenavn	Art. name	OE no.	Antal / pcs
1	9057287	Kile (halvmåne)	Key	35123	1
2	N/A	Krumtapaksel	Crankshaft	35121	1
3	9057288	Clip, stempel pin	Clip, piston pin	35129	2
4	9057289	Stempel pin	Piston pin	35128	1
5	9057290	Stempel	Piston	35127	1
6	9057291	Stempelring	Piston ring	35124	1
9	9057292	Møtrik, M18x1,5 (L)	Nut, M18x1,5 (L)	35122	1
10	9057293	Stabilisator, gear	Gear, balancer shaft	35131	1
11	9057295	Kile (halvmåne)	Key	35133	1
12	9057296	Stabilisator	Balancer shaft	35130	1
13	9057297	Tandhjul, stabilisator	Sprocket, balancer shaft	35132	1
14	N/A	Skive, 10,2x28x2	Washer, 10,2x28x2	35134	1
15	9033910 (inaktiv)	Bolt, M10x25	Bolt, M10x25	10028	1

Fig. 34: Krumtapaksel (ny model) / crankshaft (new model)

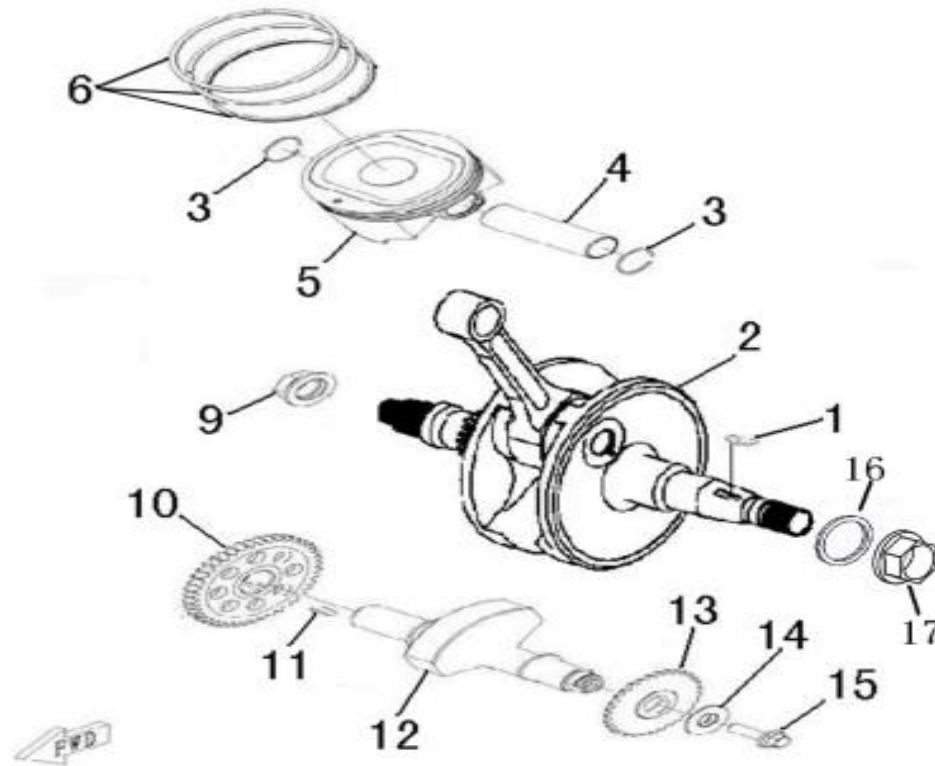


Fig. 34: Krumtapaksel (ny model) / crankshaft (new model)

Ref. no.	PL nr / art. no.	Varenavn	Art. name	OE no.	Antal / pcs
1	N/A	Kile (halvmåne)	Key	35123	1
2	N/A	Krumtapaksel (ny model)	Crankshaft (new model)	35121a	1
3	N/A	Clip, stempel pin	Clip, piston pin	35129	2
4	N/A	Stempel pin	Piston pin	35128	1
5	N/A	Stempel	Piston	35127	1
6	N/A	Stempelring	Piston ring	35124	1
9	N/A	Møtrik, M18x1,5 (L)	Nut, M18x1,5 (L)	35122	1
10	N/A	Tandhjul, gear	Gear balancer shaft	35131	1
11	N/A	Kile (halvmåne)	Key	35133	1
12	N/A	Stabilisator aksel	Balancer shaft	35130	1
13	N/A	Tandhjul	Sprocket, balancer shaft	35132	1
14	N/A	Skive, 10,2x28x2	Washer, 10,2x28x2	35134	1
15	9033910 (inaktiv)	Bolt, M10x25	Bolt, M10x25	10028	1
16	N/A	Skive	Washer	71689	1
17	N/A	Møtrik, M16x1,5	Nut, M16x1,5	71688	1

Fig. 35: Venstre krømtaphus / left crankcase

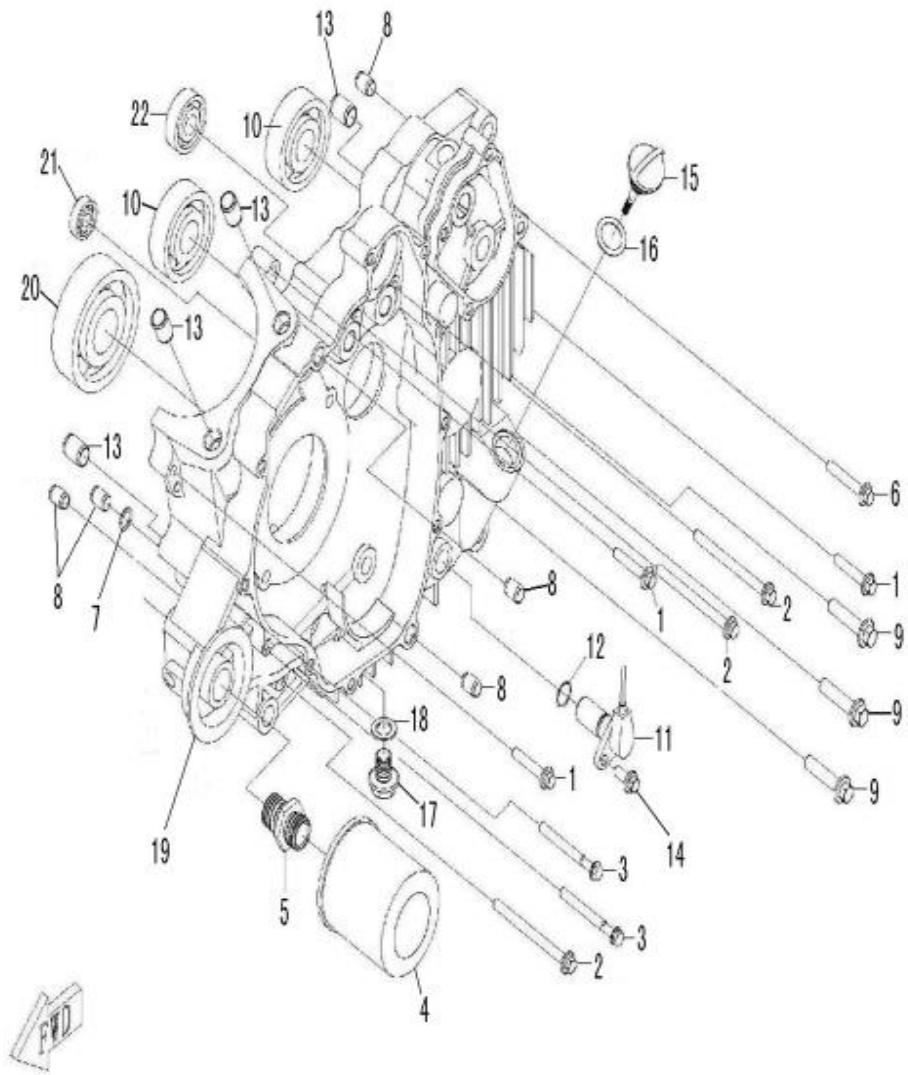


Fig. 35: Venstre krumtaphus / left crankcase

Ref. no.	PL nr / art. no.	Varenavn	Art. name	OE no.	Antal / pcs
1	N/A	Bolt, M6x35	Bolt, M6x35	10186	3
2	9050227	Bolt, M6x80	Bolt, M6x80	10827	3
3	9050225	Bolt, M6x60	Bolt, M6x60	10005	2
4	9057298	Oliefilter	Oil filter	35223	1
5	9057299	Bolt f/oliefilter	Bolt, oil filter	35213	1
6	9050223	Bolt, M6x40	Bolt, M6x40	10177	1
7	9057300	O-ring, 10x1,8	O-ring, 10x1,8	10843	1
8	N/A	Styretap, 10x4	Dowel pin, 10x4	35094	5
9	N/A	Bolt, M8x38	Bolt, M8x38	35221	3
10	N/A	Leje, 6303C3	Bearing, 6303C3	10846	2
11	9057301	Fartsensor	Speed sensor	35337	1
12	9057302	O-ring, 14x1,44	O-ring, 14x1,44	35225	1
13	N/A	Styretap, 13x18	Dowel pin, 13x18	35118	4
14	9050220	Bolt, M6x16	Bolt, M6x16	10189	1
15	9057303	Oliepind	Oil dip rod	35224	1
16	9057304	O-ring, 18x3,55	O-ring, 18x3,55	10844	1
17	9057305	Bolt, M12x1,5	Drain bolt, M12x1,5	50105	1
18	9049183	Bundprop pakning	Washer	1309283	1
19	N/A	Venstre krumtaphus	Left crankcase	35216	1
20	N/A	Leje, 6307	Bearing, 6307	10847	1
21	N/A	Leje, 63/22	Bearing, 63/22	10848	1
22	N/A	Leje, 6202	Bearing, 6202	10849	1

Fig. 36: Højre krumtaphus / right crankcase

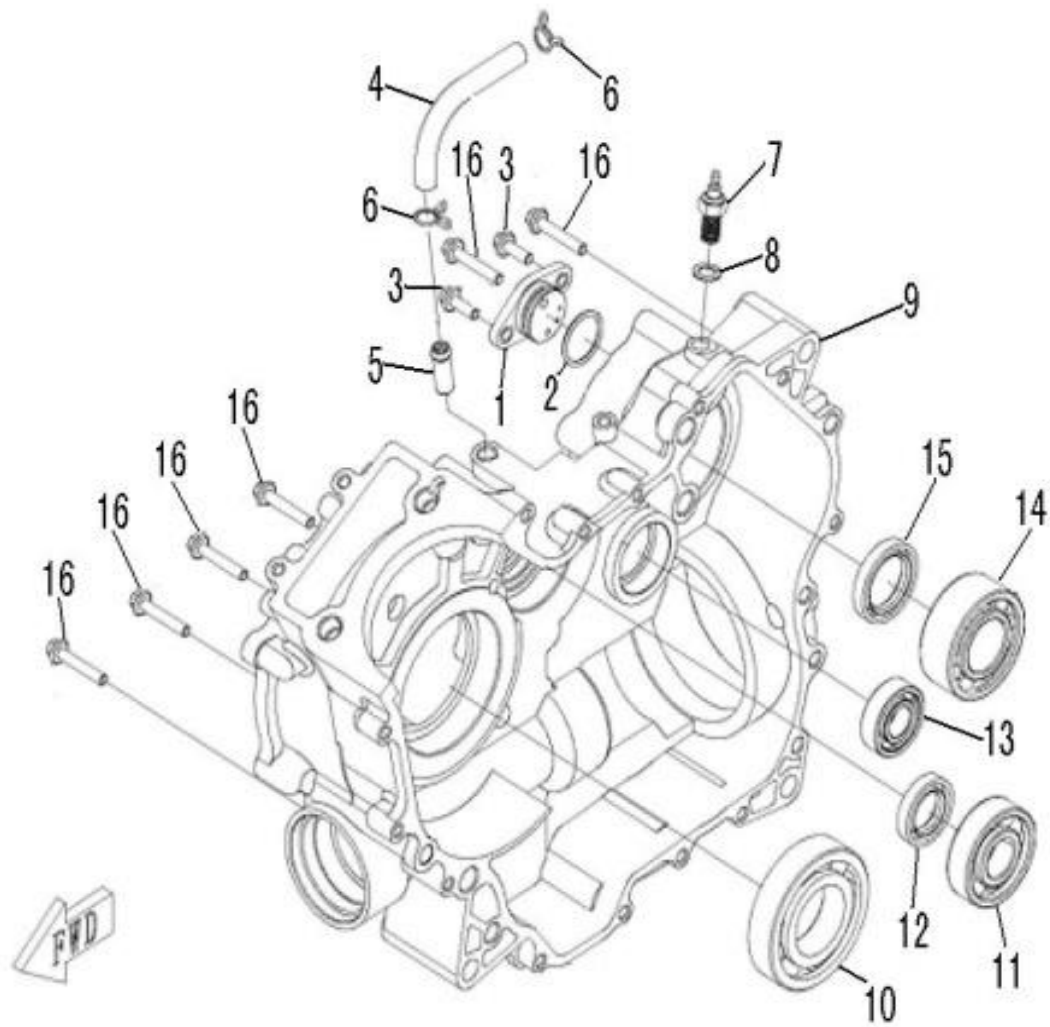


Fig. 36: Højre krumtaphus / right crankcase

Ref. no.	PL nr / art. no.	Varenavn	Art. name	OE no.	Antal / pcs
1	9057306	Gear indikator (sensor)	Gear position sensor	35338	1
2	9057307	O-ring, 26x2,5	O-ring, 26x2,5	35226	1
3	N/A	Bolt, M6x18	Bolt, M6x18	10191	2
4	9057308	Udluftningsslange	Breather hose	35220	1
5	N/A	Samler, udluftningsslange	Joint, breather hose	35219	1
6	N/A	Clamp, A12	Clamp, A12	10845	2
7	9057309	Bakgear indikator	Reverse gear sensor	35339	1
8	N/A	Skive	Washer	35227	1
9	N/A	Højre krumtaphus	Right crankcase	35217	1
10	N/A	Leje, 6208	Bearing 6208	10850	1
11	N/A	Leje, 63/22	Bearing, 63/22	10848	1
12	9057310	Pakdåse, 22x38x7	Oil seal, 22x38x7	35218	1
13	N/A	Leje, 6203RS	Bearing, 6303RS	10851	1
14	N/A	Leje, 5206C3	Bearing, 5206C3	10860	1
15	9057311	Pakdåse, 30x45x8	Oil seal, 30x45x8	35222	1
16	N/A	Bolt, M6x35	Bolt, M6x35	10186	6

Fig. 37: CVT hus / CVT housing

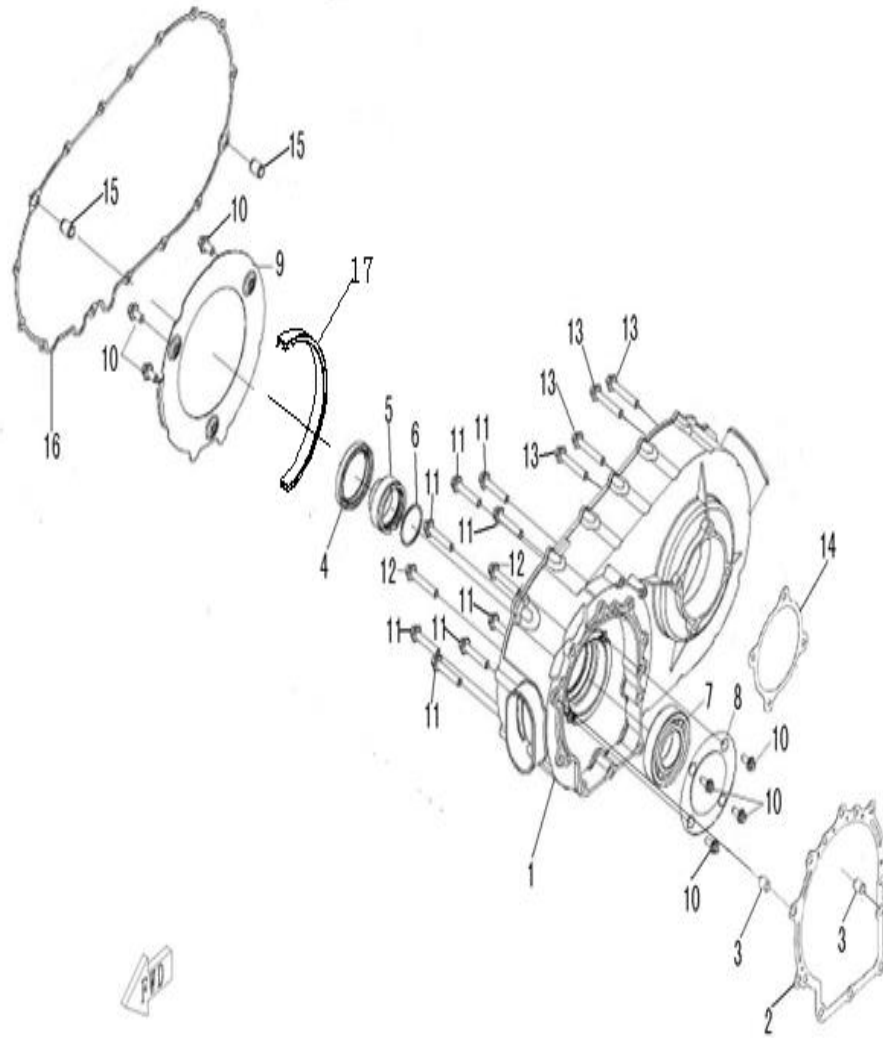


Fig. 37: CVT hus / CVT housing

Ref. no.	PL nr / art. no.	Varenavn	Art. name	OE no.	Antal / pcs
1	9057312	CVT hus	CVT housing	35235	1
2	9057313	Pakning 1, CVT hus	Gasket 1, CVT housing	35238	1
3	N/A	Styretap, 10x14	Dowel pin, 10x14	35094	2
4	9057314	Pakdåse, 54x70x8	Oil seal, 54x70x8	35251	1
5	N/A	Afstandsstykke, drivaksel	Spacer, drive shaft	35228	1
6	9057315	O-ring, 39x2,3	O-ring, 39x2,3	35229	1
7	N/A	Leje, 6208RS	Bearing, 6208RS	10852	1
8	9057316	Holder f/leje	Bearing retainer, CVT	35236	1
9	9057317	Plade, luftindtag	Plate, air intake	35237	1
10	9034420 (inaktiv)	Bolt, M6x12	Bolt, M6x12	10140	7
11	N/A	Bolt, M8x45	Bolt, M8x45	35233	8
12	9050234	Bolt, M8x50	Bolt, M8x50	35232	2
13	N/A	Bolt, M6x25	Bolt, M6x25	10187	4
14	9057318	Pakning 2, CVT hus	Gasket 2, CVT housing	35239	1
15	N/A	Styretap, 13x18	Dowel pin, 13x18	35118	2
16	9057319	Pakning, CVT cover	Gasket, CVT cover	35231	1
17	9057320	Gummistrip	Rubber strip	35533	1

Fig. 38: CVT cover / CVT cover

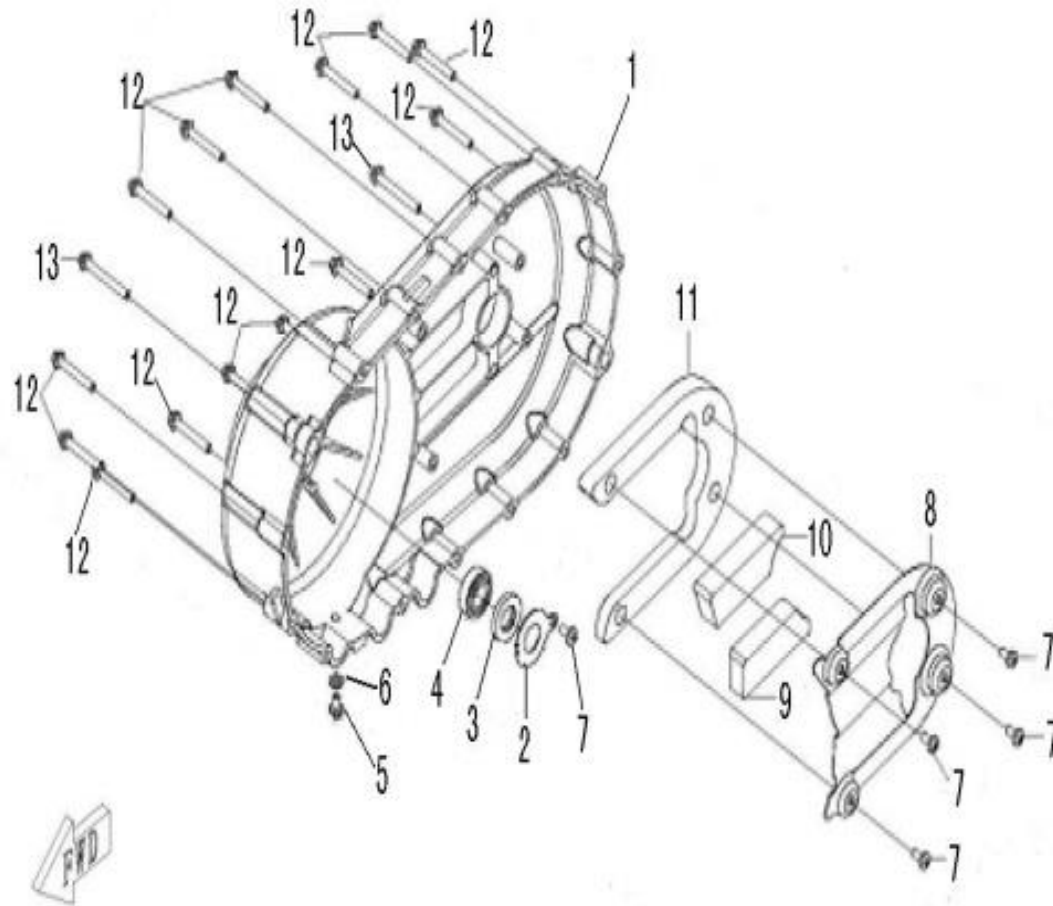


Fig. 38: CVT cover / CVT cover

Ref. no.	PL nr / art. no.	Varenavn	Art. name	OE no.	Antal / pcs
1	9057321	CVT cover	CVT cover	35230	1
2	9057322	Holder f/pakdåse	Limitator, oil seal	35253	1
3	9057323	Pakdåse, 17x35x5	Oil seal, 17x35x5	35252	1
4	N/A	Leje, 6003/P6	Bearing, 6003/P6	10853	1
5	N/A	Bolt, M6x10	Bolt, M6x10	10826	1
6	N/A	Skive	Washer	35108	1
7	9034561 (inaktiv)	Bolt, M6x12	Bolt, M6x12	26262	5
8	9057324	Dæmperplade	Damper plate	35254	1
9	9057325	Gummidæmper 3	Rubber damper 3	35257	1
10	9057326	Gummidæmper 1	Rubber damper 1	35255	1
11	9057327	Gummidæmper 2	Rubber damper 2	35256	1
12	N/A	Bolt, M6x45	Bolt, M6x45	29503	14
13	N/A	Bolt, M6x55	Bolt, M6x55	10530	2

Fig. 39: Venstre krumtaphus cover / left crankcase cover

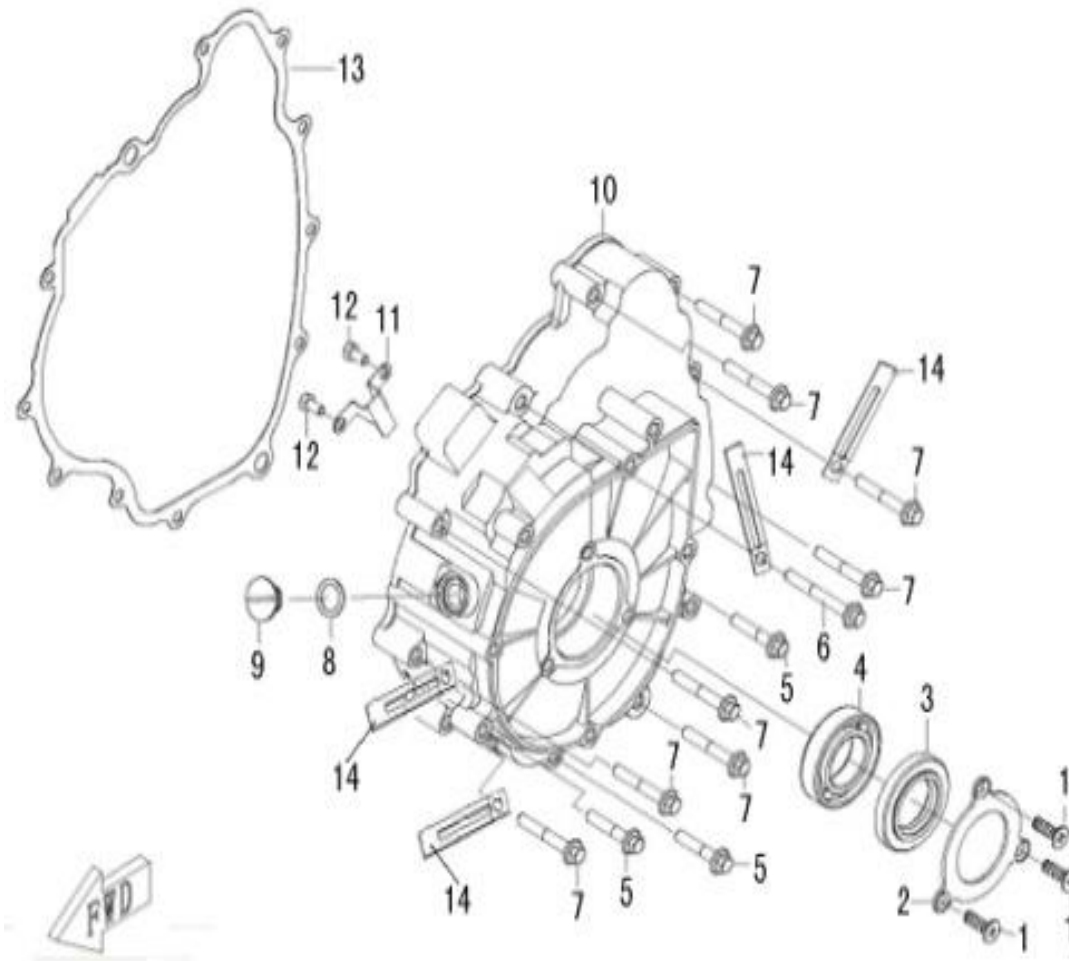


Fig. 39: Venstre krumtaphus cover / left crankcase cover

Ref. no.	PL nr / art. no.	Varenavn	Art. name	OE no.	Antal / pcs
1	N/A	Skrue, M6x10	Screw, M6x10	10832	3
2	N/A	Holder, olie pakring	Holder, oil seal	35245	1
3	9057328	Pakdåse, 28x52x7	Oil seal, 28x52x7	35248	1
4	N/A	Leje, 60/28	Bearing, 60/28	10854	1
5	N/A	Bolt, M6x32	Bolt, M6x32	10329	3
6	9050224	Bolt, M6x50	Bolt, M6x50	10349	1
7	9050223	Bolt, M6x40	Bolt, M6x40	10177	8
8	9057331	O-ring, 12x2,8	O-ring, 12x2,8	35250	1
9	9057332	Prop	Plug, inspection	35249	1
10	N/A	Venstre krumtaphus cover	Left crankcase cover	35234	1
11	N/A	Holder	Lead holder	35246	1
12	N/A	Bolt, M5x10	Bolt, M5x10	10829	2
13	9057329	Pakning, venstre krumtaphus cover	Gasket, left crankcase cover	35244	1
14	N/A	Clamp f/kabel	Cable clamp	35247	4

Fig. 40: Venstre krømtaphus cover, ny / left crankcase cover, new

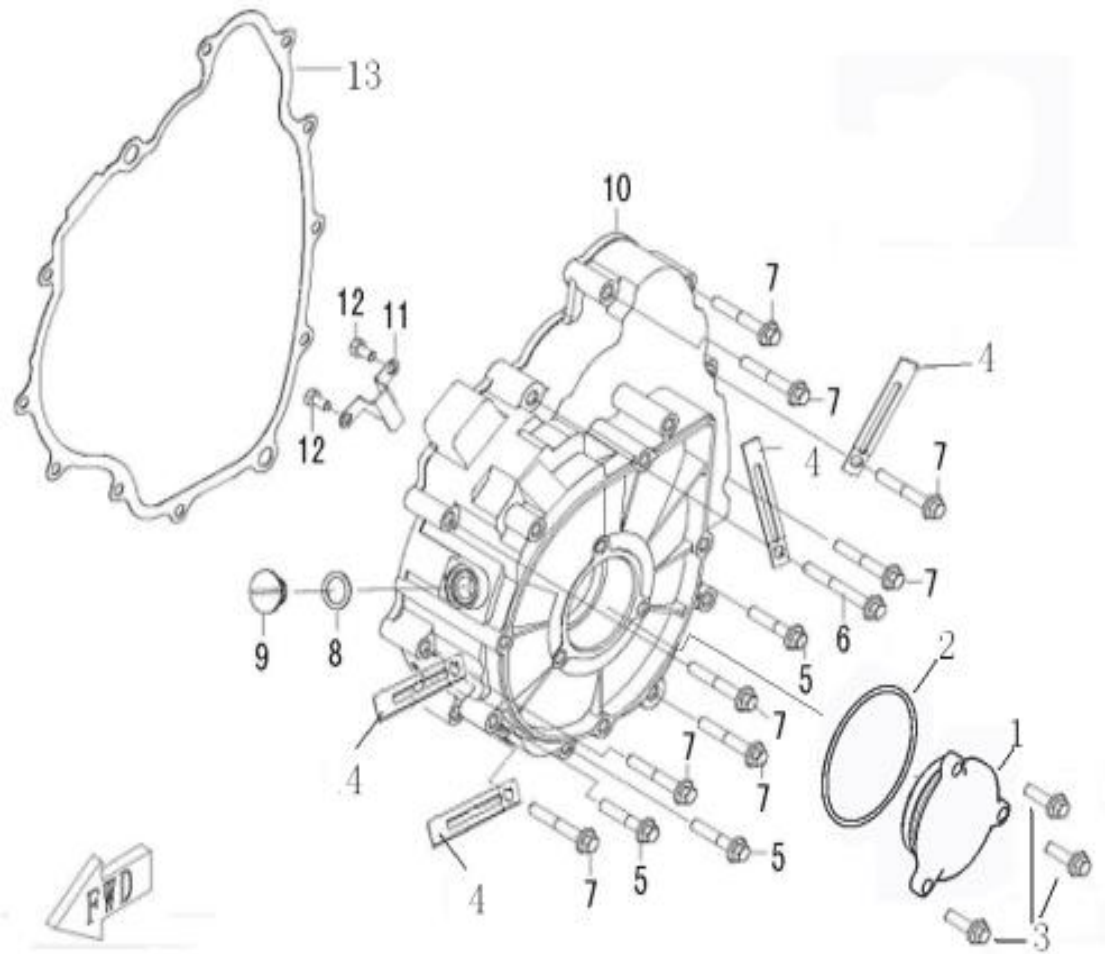


Fig. 40: Venstre krumtaphus cover, ny / left crankcase cover, new

Ref. no.	PL nr / art. no.	Varenavn	Art. name	OE no.	Antal / pcs
1	9057330	Endestykke / hætte	End cap	35537	1
2	9029866	O-ring, 46,5x2,65	O-ring, 46,5x2,65	10039	1
3	9034420 (inaktiv)	Bolt, M6x12	Bolt, M6x12	10140	3
4	N/A	Clamp f/kabel	Cable clamp	35247	4
5	N/A	Bolt, M6x32	Bolt, M6x32	10329	3
6	9050224	Bolt, M6x50	Bolt, M6x50	10349	1
7	9050223	Bolt, M6x40	Bolt, M6x40	10177	8
8	9057331	O-ring, 12x2,8	O-ring, 12x2,8	35250	1
9	9057332	Prop	Plug, inspection	35249	1
10	N/A	Venstre krumtaphus cover	Left crankcase cover	35234	1
11	N/A	Holder	Lead holder	35246	1
12	N/A	Bolt, M5x10	Bolt, M5x10	10829	2
13	9057329	Pakning, venstre krumtaphus cover	Gasket, left crankcase cover	35244	1

Fig. 41: Generator / generator

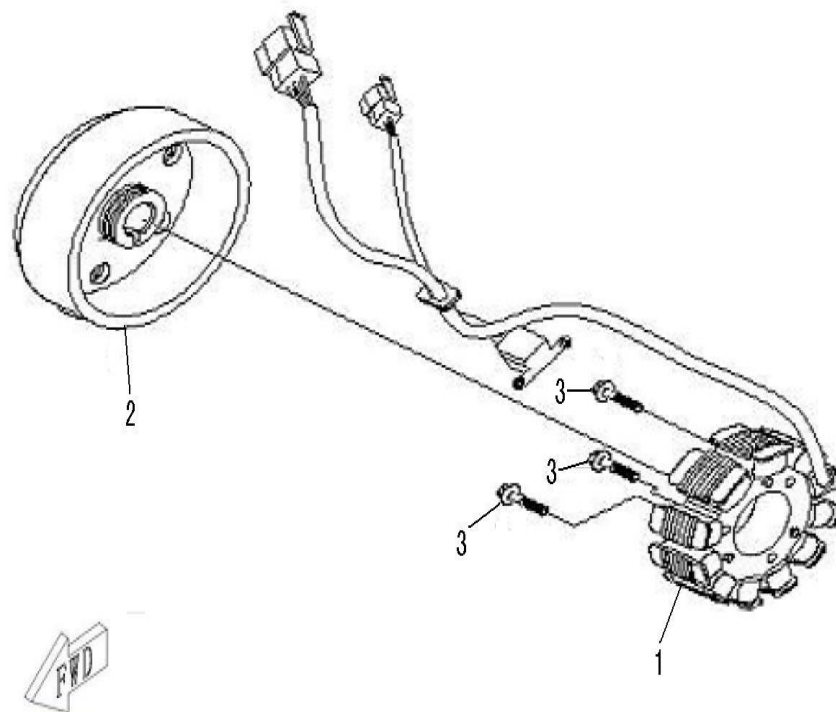


Fig. 41: Generator / generator

Ref. no.	PL nr / art. no.	Varenavn	Art. name	OE no.	Antal / pcs
1	9057333	Stator	Stator assy	35334	1
2	9057334	Rotor	Rotor assy	35335	1
3	9050222	Bolt, M6x30	Bolt, M6x30	10182	3

Fig. 42: Starter (elektrisk) / electric starter

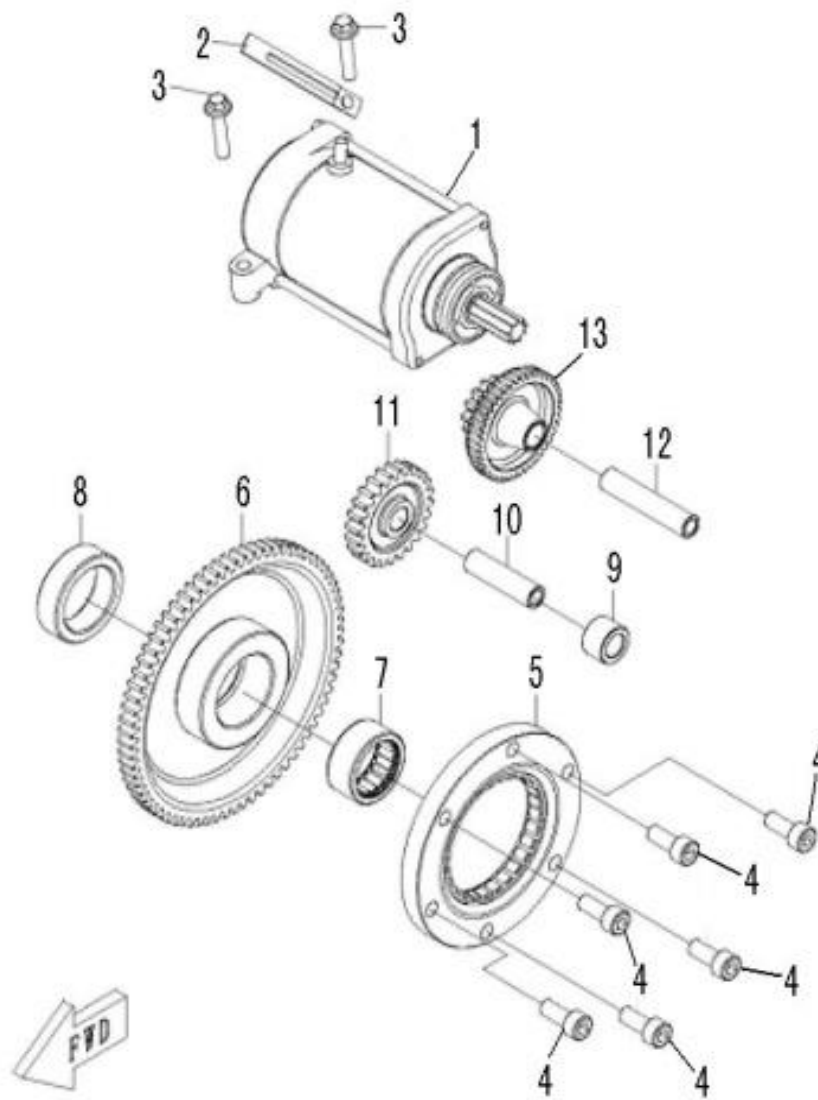


Fig. 42: Starter (elektrisk) / electric starter

Ref. no.	PL nr / art. no.	Varenavn	Art. name	OE no.	Antal / pcs
1	9057335	Start motor	Starting motor	35336	1
2	N/A	Clamp f/kabel	Cable clamp	35247	1
3	9050222	Bolt, M6x30	Bolt, M6x30	10182	2
4	N/A	Skrue, M8x20	Screw, M8x20	10830	6
5	9057336	Friløbsgear	Stater clutch	35265	1
6	9057337	Udgangsgear	Output gear assy	35260	1
7	9057338	Nåleleje, RNA49/22	Needle bearing, RNA49/22	10859	1
8	N/A	Afstandsstykke	Spacer	35259	1
9	N/A	Bøsning, tomgang	Idle gear bushing	35264	1
10	N/A	Aksel, tomgang	Idle gear shaft	35262	1
11	9057339	Mellemhjul	Idle gear	35263	1
12	N/A	Aksel, dobbelt gear	Axle, dual gear	35261	1
13	9057340	Dobbelt gear	Dual gear	35258	1

Fig. 43: Kobling / clutch

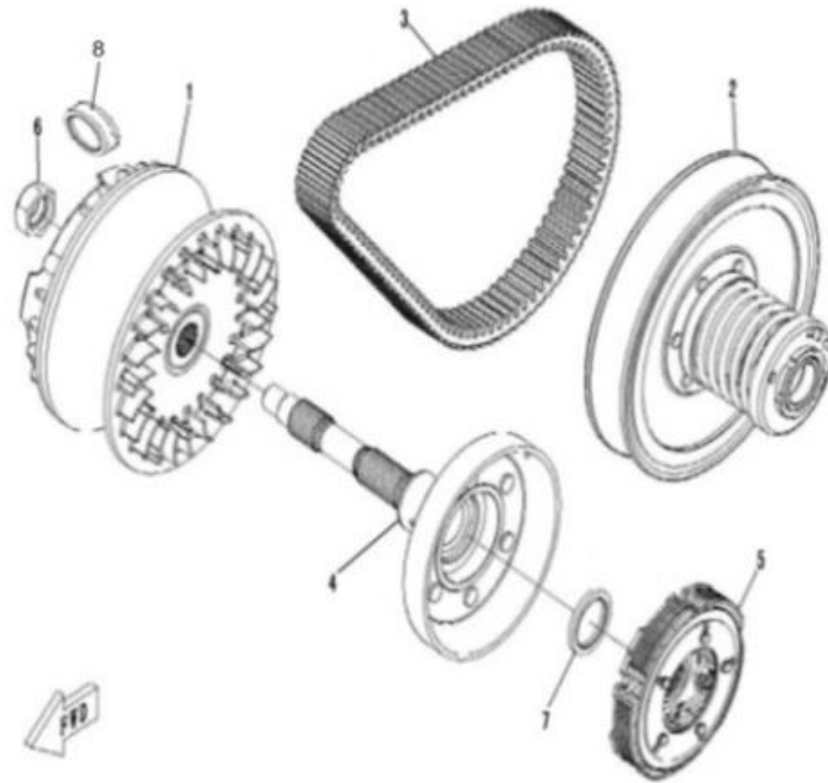


Fig. 43: Kobling / clutch

Ref. no.	PL nr / art. no.	Varenavn	Art. name	OE no.	Antal / pcs
1	9057341	Slyngkobling, variator	Drive assy comp	35298	1
2	N/A	Slyngkobling	Drive assy comp	35299	1
2	9057342	Slyngkobling, variator (R1210)	Drive assy comp (R1210)	35299a	1
3	9057343	Kilerem, variatorrem	V-belt	35297	1
4	9057344	Koblingshus, komplet	Clutch housing assy	35295	1
5	9057345	Slyngkobling	Clutch carrier assy	35296	1
6	9057346	Møtrik, M20x1,5	Nut, M20x1,5	35294	1
7	9057347	Pakdåse, 38x45x4/6	Oil seal, 38x46x4/6	35293	1
8	9057348	Rulle	Roller	35668	8

Fig. 44: Transmission I / transmission I

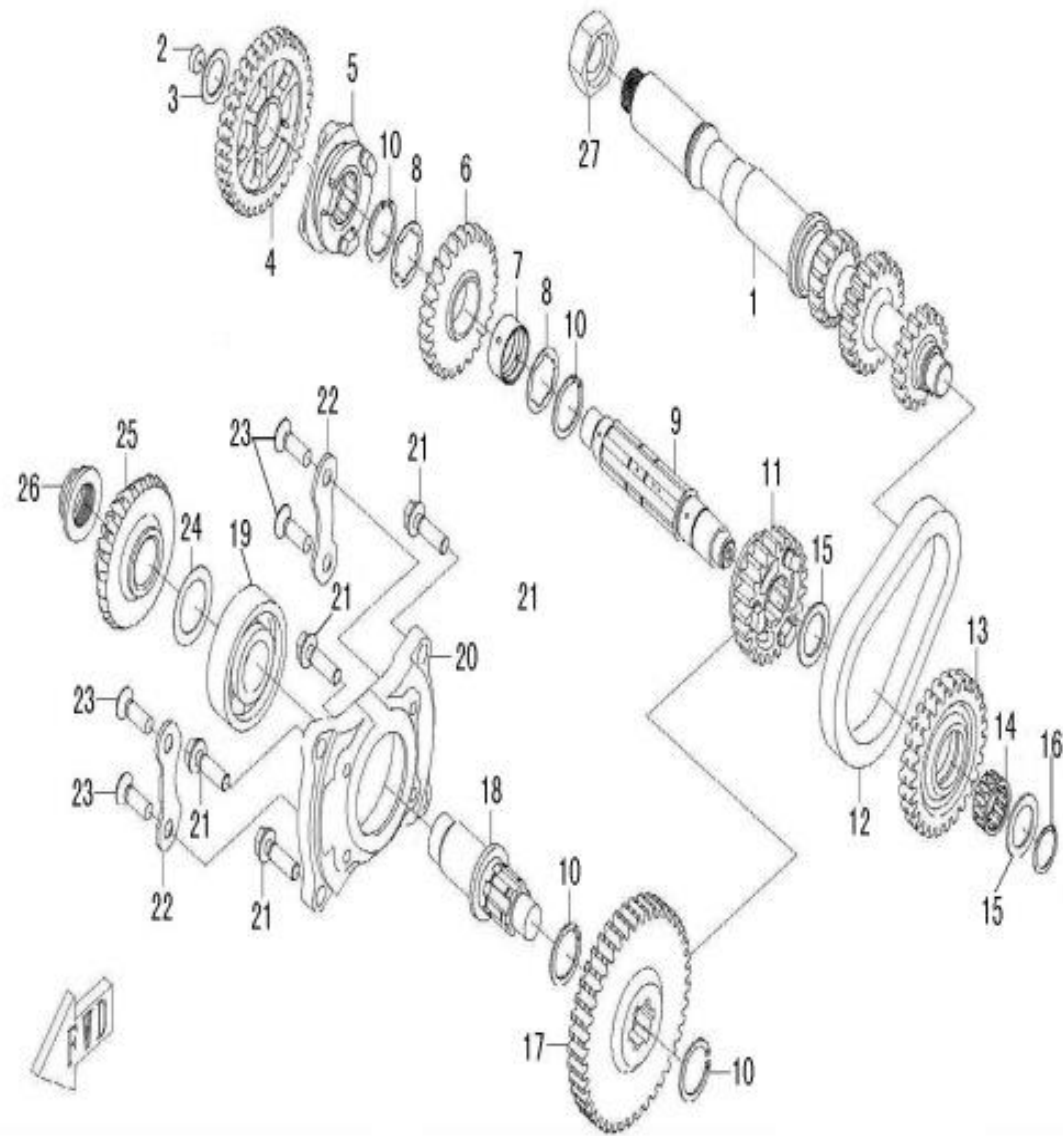


Fig. 44: Transmission I / transmission I

Ref. no.	PL nr / art. no.	Varenavn	Art. name	OE no.	Antal / pcs
1	9057349	Hovedaksel, gearskifte	Main shaft. Gearshift	35320	1
2	9057350	Prop	Bell plug 12	35309	1
3	N/A	Skive, 17.5x26x1	Washer, 17.5x26x1	35307	1
4	9057351	Tandhjul f/lavt gear	Driven gear, low range	35318	1
5	9057352	Bøsning f/gearskifte	Sliding bush, gearshift	35314	1
6	9057533	Tandhjul f/højt gear	Driven gear, high range	35316	1
7	9057354	Bøsning, tandhjul f/højt gear	Bushing, driven gear - high range	35317	1
8	9057355	Skive	Spline washer	35310	2
9	9057356	Aksel, tandhjul	Driven shaft	35315	1
10	9057357	Låsering 25	Circlip 25	35311	2
11	9057358	Tandhjul, udgangsgear	Driven output gear	35308	1
12	9057359	Kæde, bakgear	Chain, reverse gear	35313	1
13	9057360	Kædehjul, bakgear	Sprocket, reverse gear	35319	1
14	9057361	Nåleleje, K20x26x12	Needle bearing, K20x26s12	10858	1
15	N/A	Skive, 20.5x30x1.5	Washer, 20.5x30x1.5	35312	2
16	9033806 (inaktiv)	Låsering 20	Circlip 20	24407	1
17	9057362	Tandhjul, udgangsgear	Output, driven gear	35271	1
18	9057363	Aksel, spidshjul	Drive bevel gear shaft	35276	1
19	N/A	Leje, 6305C3	Bearing, 6305C3	10855	1
20	N/A	Hus f/leje	Bearing seat, driven bevel gear	35274	1
21	N/A	Bolt, M8x28	Bolt, M8x28	35286	4
22	N/A	Holder f/leje	Bearing limit	35287	2
23	N/A	Screw, M8x25	Screw, M8x25	10834	4
24	9057364	Justerbar skive f/spidshjul	Adjustable washer, driven bevel gear	35277	1
25	9057365	Spidshjul	Drive bevel gear	35272	1
26	9057366	Låsemøtrik f/spidshjul	Locknut, bevel gear	35275	1
27	N/A	Møtrik, M20x1,5	Nut, M20x1,5	35294	1

Fig. 45: Transmission II / transmission II

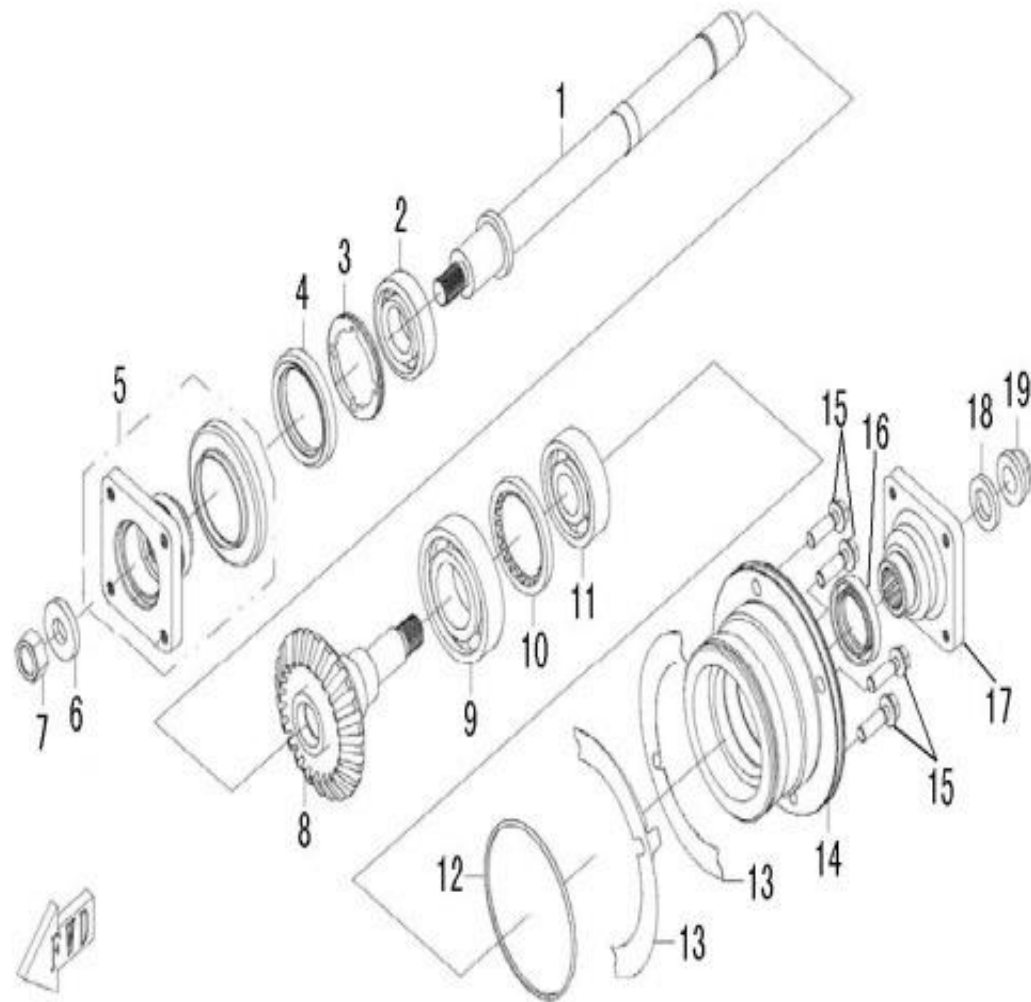


Fig. 45: Transmission II / transmission II

Ref. no.	PL nr / art. no.	Varenavn	Art. name	OE no.	Antal / pcs
1	9057367	Udgangsaksel	Front output shaft	35288	1
2	N/A	Leje, 6205	Bearing 6205	10267N	1
3	N/A	Holder f/leje	Bearing retainer, front output shaft	35291	1
4	9057368	Pakdåse, 44x60x6.7/10	Oil seal, 44x60x6.7/10	35289	1
5	9057369	Samleled, transmission	Coupler, front transmission output	35290	1
6	N/A	Skive	Washer	35292	1
7	9057370	Møtrik, M14x1,5-10	Nut, M14x1.5-10	10837	1
8	9057371	Spidshjul	Driven bevel gear	35273	1
9	N/A	Leje, 6207/P63	Bearing, 6207/P63	10856	1
10	9057372	Møtrik f/leje	Bearing limit nut	35282	1
11	N/A	Leje, 63/22	Bearing 63/22	10848	1
12	9057373	O-ring, 88x2,4	O-ring, 88x2,4	35279	1
13	9057374	Justerbar skive, spidshjul	Adjustable washer, driven bevel gear	35280	2
14	N/A	Hus f/leje	Bearing seat, driven bevel gear	35278	1
15	N/A	Bolt, M8x28	Bolt, M8x28	35286	4
16	9057375	Pakdåse, 30x46x7	Oil seal, 30x46x7	35281	1
17	9057376	Samleled, transmission bag	Coupler, rear transmission output	35283	1
18	N/A	Skive	Washer, rear output shaft nut	35284	1
19	N/A	Møtrik	Nut, rear output shaft	35285	1

Fig. 46: Transmission III / transmission III

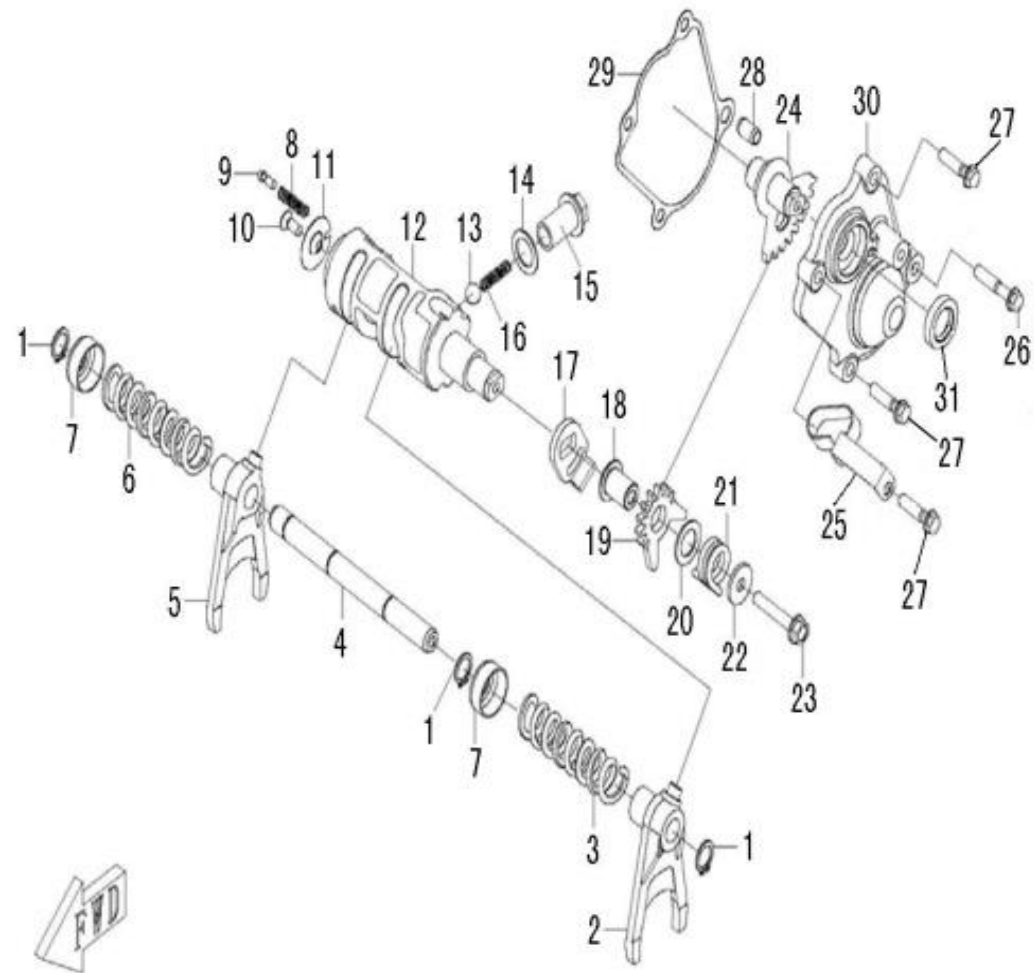


Fig. 46: Transmission III / transmission III

Ref. no.	PL nr / art. no.	Varenavn	Art. name	OE no.	Antal / pcs
1	9034891 (inaktiv)	Låsering 12	Circlip 12	10129	3
2	9057381	Skiftegaffel, venstre	Left shift fork	35330	1
3	9057382	Fjeder (1), skiftegaffel	Spring 1, shift fork	35327	1
4	N/A	Guide bar	Guide bar	35333	1
5	9057383	Skiftegaffel, højre	Right shift fork	35329	1
6	9057384	Fjeder (2), skiftegaffel	Spring 2, shift fork	35328	1
7	9057385	Holder f/fjeder	Spring seat	35326	2
8	9057386	Fjeder f/gear kontakt	Spring, gear contactor	35322	1
9	9057387	Gear kontakt	Gear contactor	35321	1
10	N/A	Bolt, M5x12	Bolt, M5x12	10833	1
11	N/A	Skive	Limit washer	35323	1
12	9057388	Skiftetromle	Shift cam	35331	1
13	9057389	Låsekugle, 3/8	Friction ball 3/8	10842	1
14	N/A	Skive, 14x22x1	Washer, 14x22x1	35324	1
15	9057390	Hulbolt, M14x1,5	Bolt, M14x1,5	35325	1
16	9057391	Fjeder, begrænser	Limit spring	35332	1
17	9057392	Skive f/tandhjul	Washer, driven sector gear	35303	1
18	9057393	Aksel f/tandhjul	Shaft, driven sector gear	35302	1
19	9057394	Skiftetandhjul (medbringer)	Driven sector gear	35301	1
20	9057395	Skive, 13,5x22x1	Washer, 13.5x22x1	35304	1
21	9057396	Spændefjeder f/tandhjul	Torsion spring, driven sector gear	35305	1
22	9057397	Skive, 6.6x20x2	Washer, 6.6x20x2	35306	1
23	N/A	Bolt, M6x35	Bolt, M6x35	10186	1
24	9057398	Skiftetandhjul	Weld part, driven sector gear	35300	1
25	9057399	Clip	Clip	35243	1
26	N/A	Bolt, M6x32	Bolt, M6x32	10329	1
27	N/A	Bolt, M6x25	Bolt, M6x25	10187	3
28	N/A	Styretap, 8x14	Dowel pin, 8x14	50076	1
29	9057400	Pakning f/gear hus	Gasket, sector gear housing	35241	1
30	N/A	Cover	Cover, sector gear housing	35240	1
31	9057401	Pakdåse, 15x25x5	Oil seal, 15x25x5	35242	1

Fig. 47: Oliepumpe / oil pump

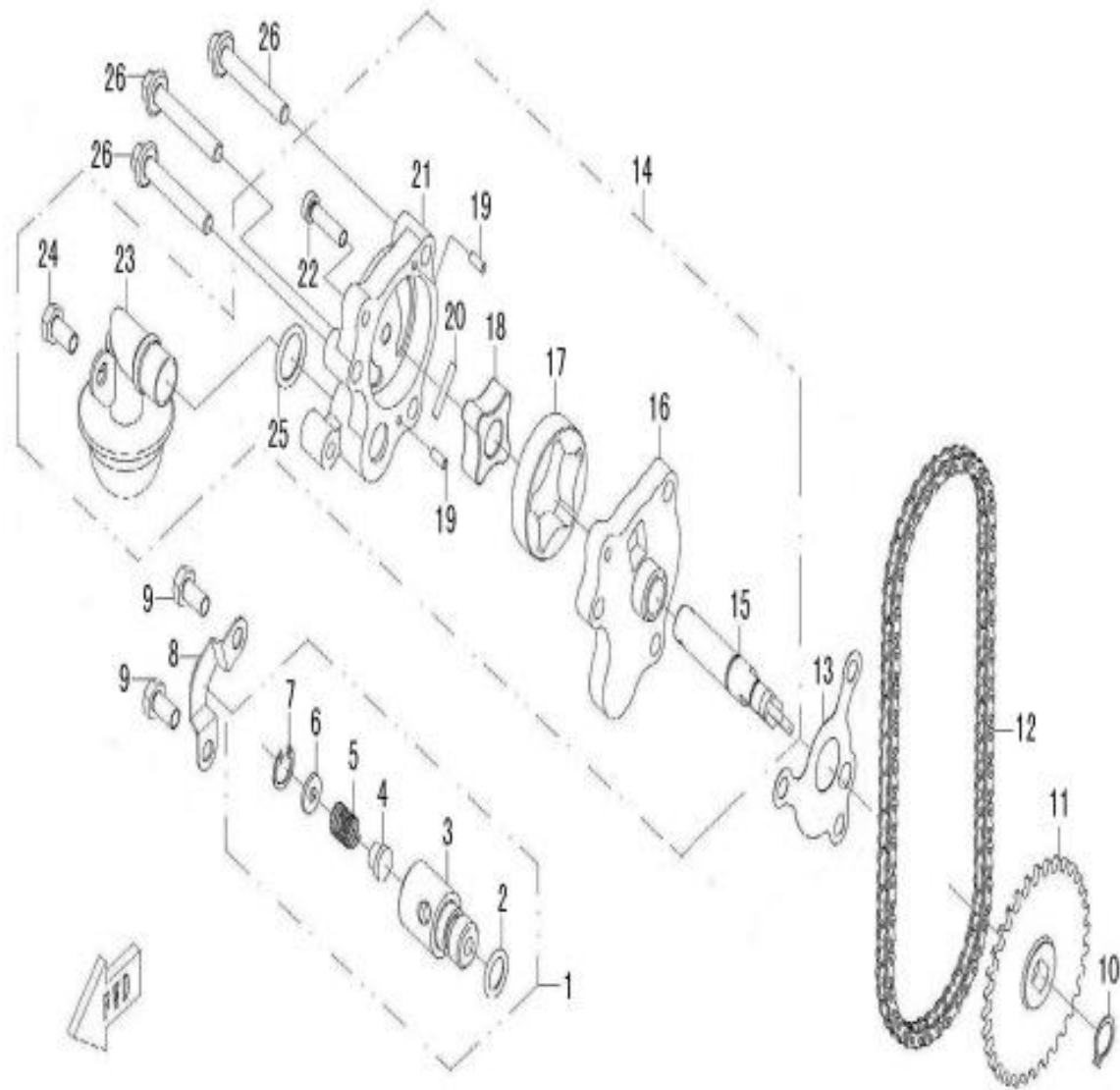


Fig. 47: Oliepumpe / oil pump

Ref. no.	PL nr / art. no.	Varenavn	Art. name	OE no.	Antal / pcs
1	9057402	Udluftningsventil	Relief valve	35197	1
2	N/A	O-ring, 10x2,3	O-ring, 10x2,3	35200	1
3	N/A	Hus f/udluftningsventil	Relief valve body	35198	1
4	N/A	Olieprop	Oil plug, relief valve	35199	1
5	N/A	Fjeder f/udluftningsventil	Spring, relief valve	35201	1
6	N/A	Fjederskive	Spring washer	35202	1
7	N/A	Låsering 12	Circlip 12	10838	1
8	N/A	Strip, udluftningsventil	Pressure strip, relief valve	35203	1
9	9034420 (inaktiv)	Bolt, M6x12	Bolt, M6x12	10140	2
10	N/A	Låsering 11	Circlip 11	10840	1
11	N/A	Tandhjul, oliepumpe	Sprocket, oil pump	35191	1
12	9057403	Kæde, oliepumpe	Chain, oil pump	35196	1
13	9057404	Pakning, oliepumpe	Gasket, oil pump	35206	1
14	9057405	Oliepumpe	Oilpump	35195	1
15	N/A	Aksel, oliepumpe	Shaft, oil pump	35192	1
16	N/A	Cover, oliepumpe	Cover, oil pump	35187	1
17	N/A	Rotor, ydre - oliepumpe	Outer rotor, oil pump	35189	1
18	N/A	Rotor, indre - oliepumpe	Inner rotor, oil pump	35190	1
19	N/A	Styretap	Dowel pin	35193	2
20	N/A	Pin, lige	Straight pin	35194	1
21	N/A	Hus f/oliepumpe	Oil pump housing	35188	1
22	N/A	Skrue, M5x20	Screw, M5x20	10857	1
23	N/A	Oliesi	Oil strainer	35204	1
24	N/A	Bolt, M6x14	Bolt, M6x14	10210	1
25	N/A	O-ring, 14x2,5	O-ring, 14x2,5	35205	1
26	9050223	Bolt, M6x40	Bolt, M6x40	10177	3

Fig. 48: Vandpumpe / water pump

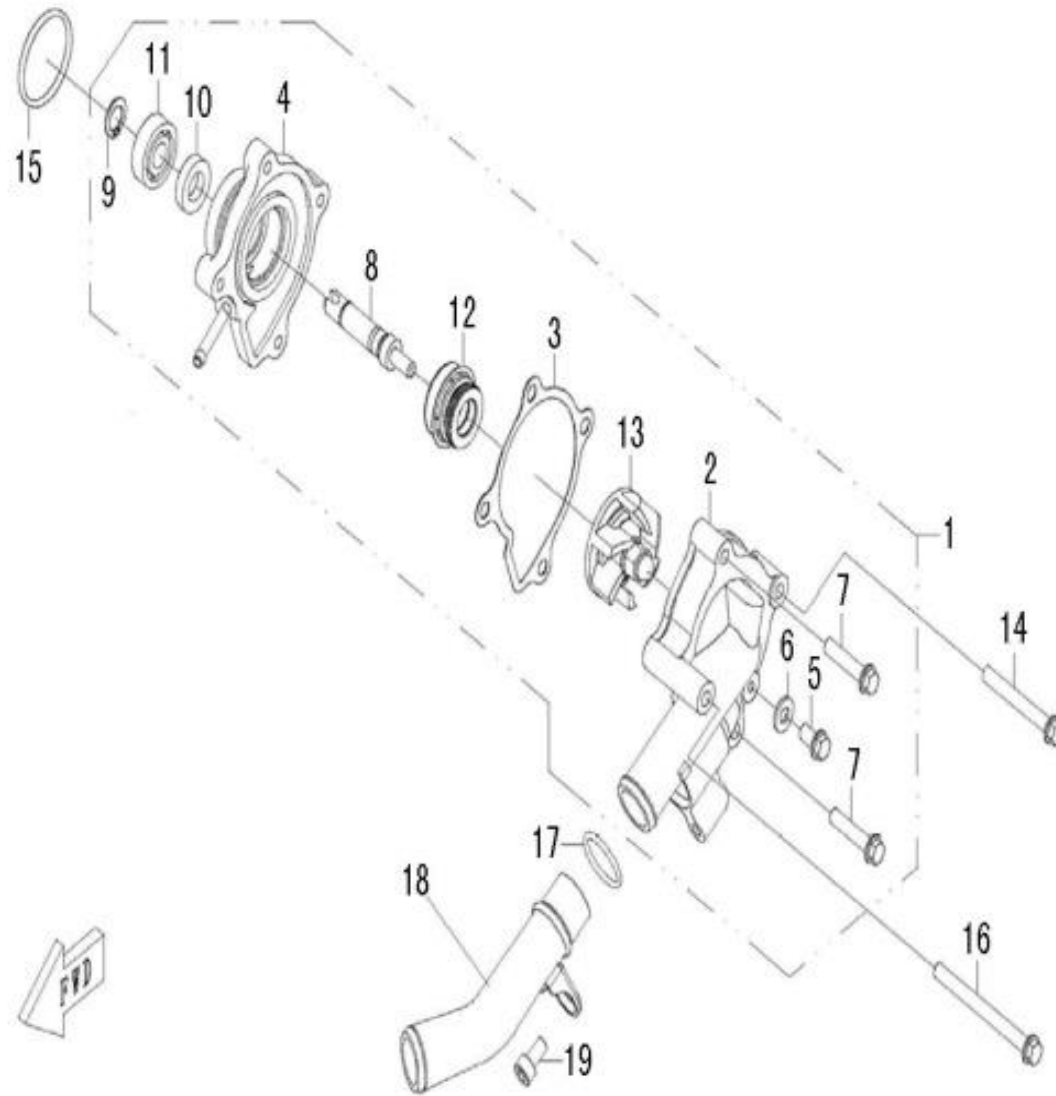


Fig. 48: Vandpumpe / water pump

Ref. no.	PL nr / art. no.	Varenavn	Art. name	OE no.	Antal / pcs
1	9057406	Vandpumpe, komplet	Water pump assy	35179	1
2	N/A	Cover f/vandpumpe	Water pump cover	35173	1
3	9057407	Pakning	Gasket	35176	1
4	N/A	Hus f/vandpumpe	Water pump housing	35172	1
5	9034420 (inaktiv)	Bolt, M6x12	Bolt, M6x12	10140	1
6	N/A	Skive	Washer	35108	1
7	9050222	Bolt, M6x30	Bolt, M6x30	10182	2
8	N/A	Aksel, vandpumpe	Water pump shaft	35175	1
9	N/A	Låsering 10	Circlip 10	10839	1
10	9057408	Pakdåse. 10x20x5	Oil seal, 10x20x5	35177	1
11	N/A	Leje, 6000	Bearing, 6000	70020	1
12	9057409	Pakning	Water seal	35178	1
13	9057410	Skovlhjul	Impeller	35180	1
14	9050224	Bolt, M6x50	Bolt, M6x50	10349	1
15	9057411	O-ring, 35x2,5	O-ring, 35x2,5	35174	1
16	9050226	Bolt, M6x70	Bolt, M6x70	10160	1
17	9057412	O-ring, 21x2,5	O-ring, 21x2,5	35182	1
18	N/A	Rør	Water outlet pipe	35181	1
19	N/A	Skrue, M6x10	Screw, M6x10	10831	1

Fig. 49: Cover, venstre side / left side cover

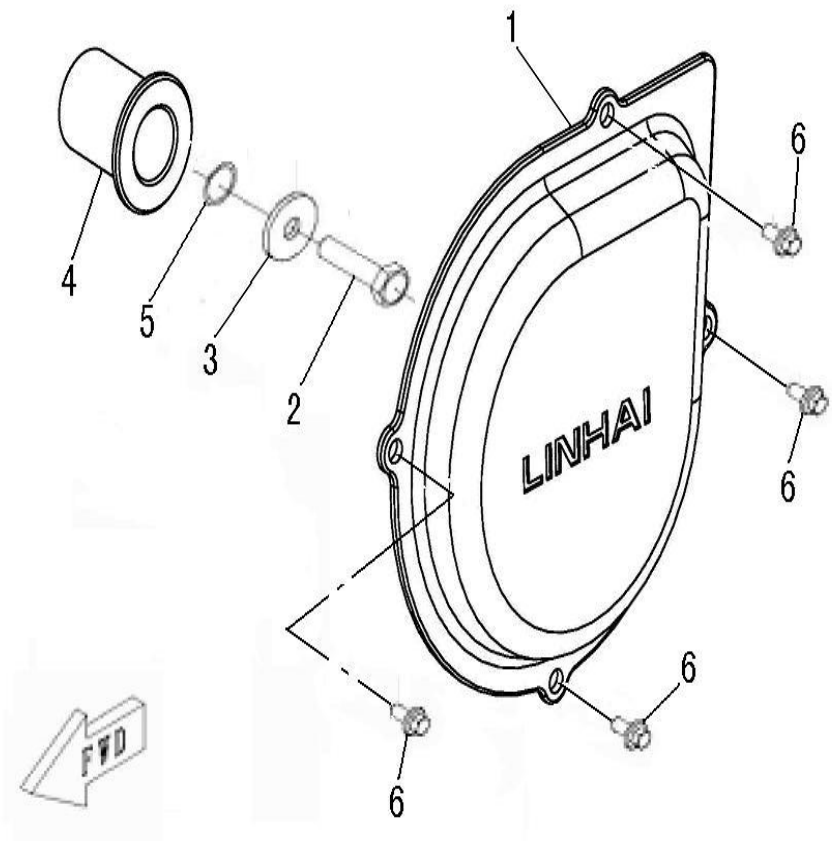


Fig. 49: Cover, venstre side / left side cover

Ref. no.	PL nr / art. no.	Varenavn	Art. name	OE no.	Antal / pcs
1	N/A	Cover, venstre side	Left side cover	35270	1
2	N/A	Bolt, M10x1,25x40	Bolt, M10x1,25x40	35267	1
3	N/A	Skive, 10,2x32x3	Washer, 10.2x32x3	35268	1
4	N/A	Afstandsstykke	Splined spacer	35266	1
5	N/A	O-ring, 16,1x3,2	O-ring, 16,1x3,2	35269	1
6	9034420 (inaktiv)	Bolt, M6x12	Bolt, M6x12	10140	4

Fig. 50: Cover, venstre side, ny / left side cover, new

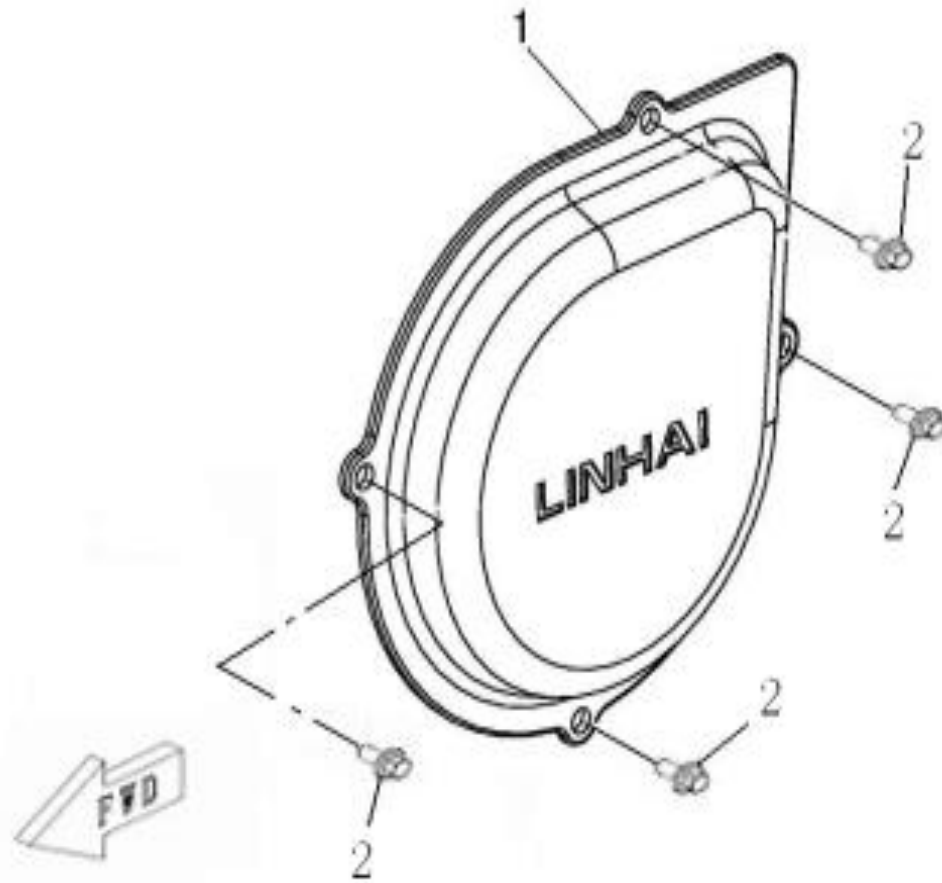


Fig. 50: Cover, venstre side, ny / left side cover, new

Ref. no.	PL nr / art. no.	Varenavn	Art. name	OE no.	Antal / pcs
1	N/A	Cover, venstre side (ny)	Left side cover, new	35270	1
2	9034420 (inaktiv)	Bolt, M6x12	Bolt, M6x12	10140	4

Fig. 51: Karburator / carburetor

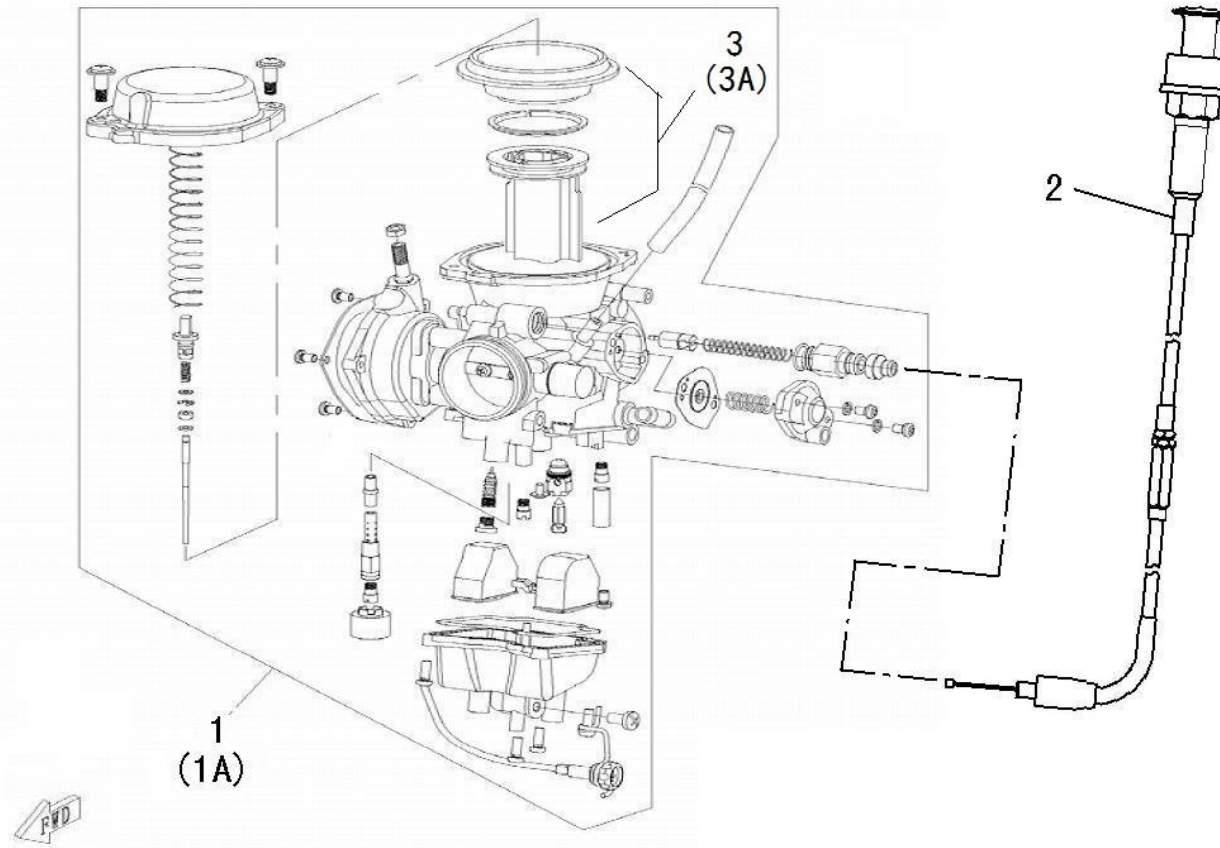


Fig. 51: Karburator / carburetor

Ref. no.	PL nr / art. no.	Varenavn	Art. name	OE no.	Antal / pcs
1	N/A	Karburator	Carburetor	35211	1
1A	9057413	Karburator	Carburetor	35212	1
2	9057414	Choker kabel	Line assy	35340	1
3	N/A	Stempel	Plunger	35381	1
3A	9057415	Stempel	Plunger	35382	1

Fig. 52: Oliekøler / oil radiator

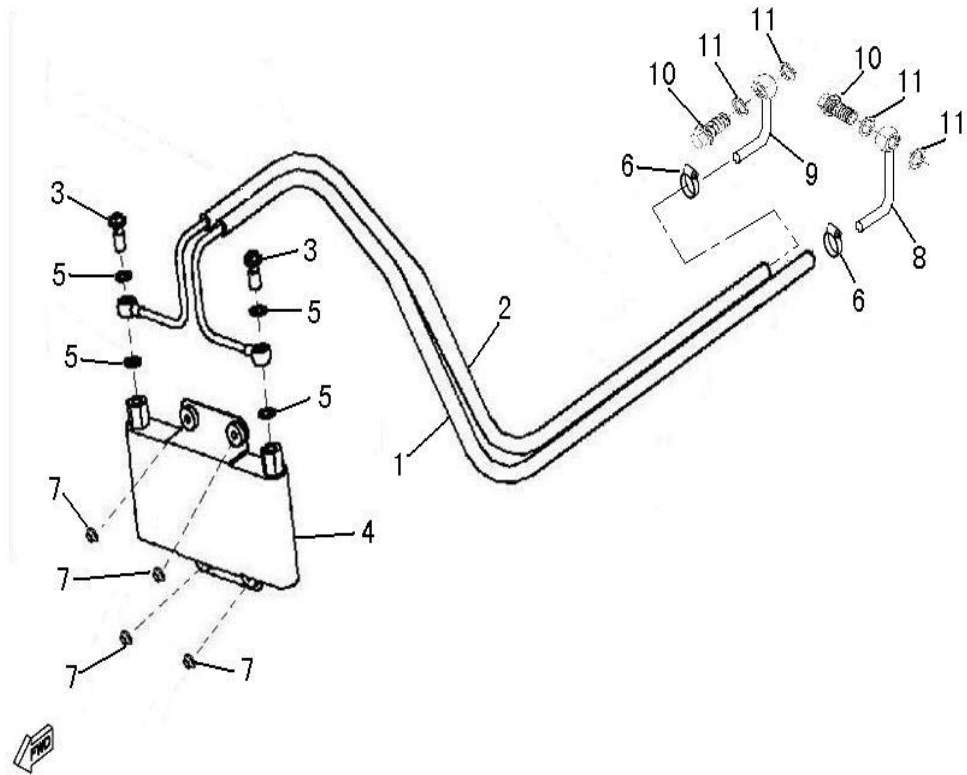


Fig. 52: Oliekøler / oil radiator

Ref. no.	PL nr / art. no.	Varenavn	Art. name	OE no.	Antal / pcs
1	9057416	Rør A	Pipe A	35185	1
2	9057417	Rør B	Pipe B	35184	1
3	N/A	Bundprop	Drain plug	35379	2
4	9057418	Oliekøler	Oil radiator	35342	1
5	N/A	Skive	Washer	35341	4
6	N/A	Clamp 12/20	Clamp 12/20	10774	2
7	9050206	Møtrik, M6	Nut, M6	10836	4
8	N/A	Samler A	Joint A	35183	1
9	N/A	Samler B	Joint B	35186	1
10	N/A	Bolt	Hinge bolt, M14x1.5	35214	2
11	N/A	Skive	Washer	35215	4

Fig. 53: CVT lufkøler / CVT air shroud

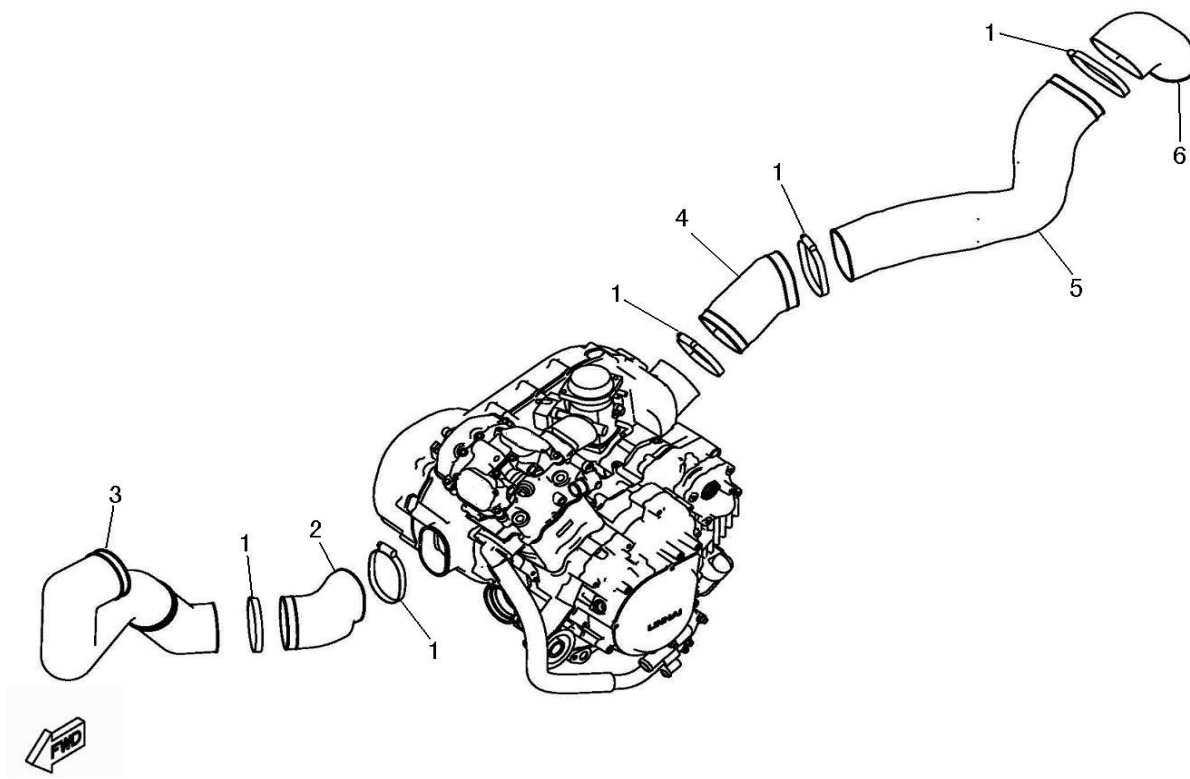


Fig. 53: CVT luftkøler / CVT air shroud

Ref. no.	PL nr / art. no.	Varenavn	Art. name	OE no.	Antal / pcs
1	N/A	Clamp 80	Clamp 80	71109	5
2	9057420	Gummi samler, luftkøler (1)	Rubber joint, air shroud 1 - CVT	35346	1
3	9057421	Luftslange, 1 - CVT	Air shroud 1, CVT	35347	1
4	9057422	Gummi samler, luftkøler (2)	Rubber joint, air shroud 2 - CVT	35348	1
5	9057423	Luftslange, 2 - CVT	Air shroud 2, CVT	35349	1
6	9057424	Gummi samler, luftkøler (3)	Rubber joint, air shroud 3 - CVT	35350	1

Fig. 54: Luftfilter / air cleaner

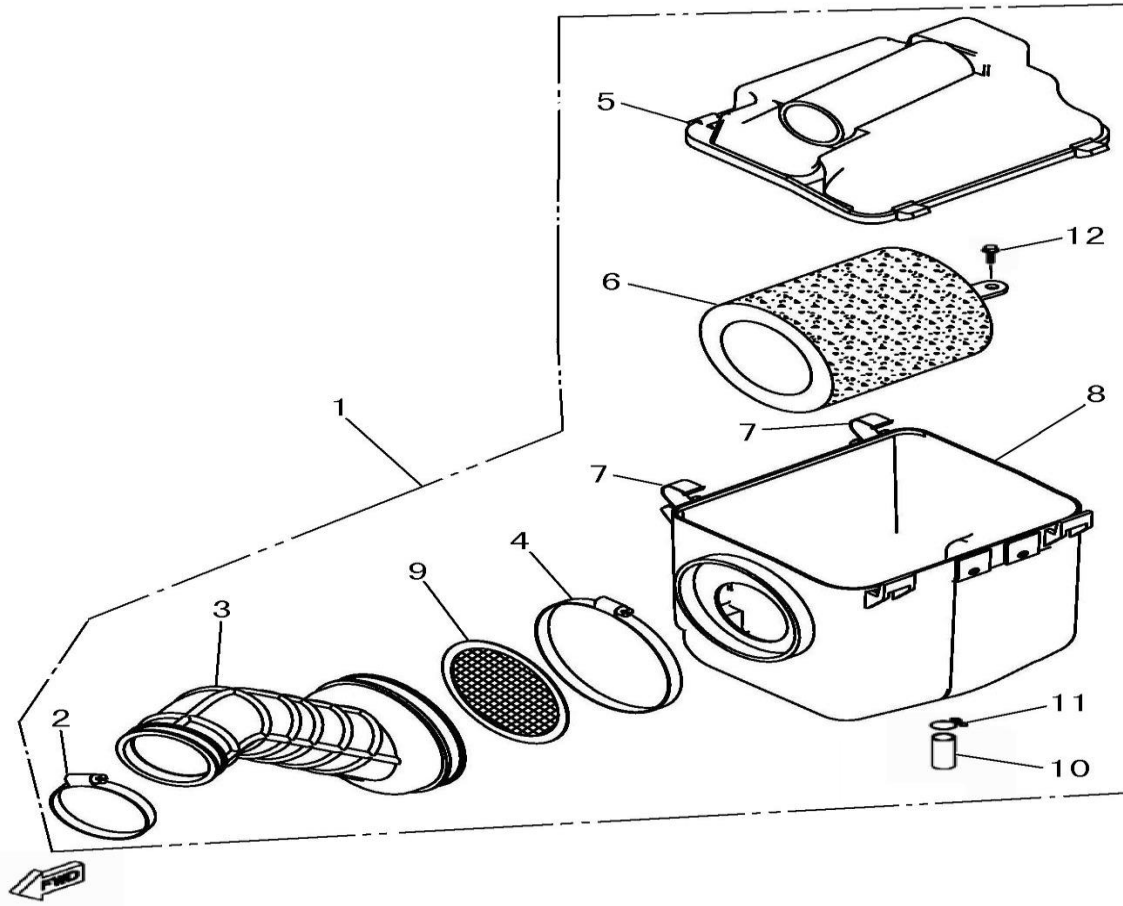


Fig. 54: Luftfilter / air cleaner

Ref. no.	PL nr / art. no.	Varenavn	Art. name	OE no.	Antal / pcs
1	9057425	Luftfilter, komplet	Air cleaner assy	35356	1
2	N/A	Clip 1	Clip 1	35357	1
3	9057426	Fødeslange	Feed hose	35358	1
4	N/A	Clip 2	Clip 2	35359	1
5	9057427	Cover f/luftfilter	Cover, air cleaner	35360	1
6	9057428	Luftfilter indsats	Element comp. air cleaner	35361	1
7	N/A	Clip f/cover	Clip, air cleaner cover	35362	2
8	N/A	Kasse, luftfilter	Case, air cleaner	35363	1
9	N/A	Filter	Filter	35364	1
10	N/A	Slange 2, luftfilter	Hose 2, air cleaner	35365	1
11	N/A	Fjeder clip	Spring clip	35366	1
12	N/A	Skrue	Screw	35367	1

Fig. 55: Udstødning / exhaust

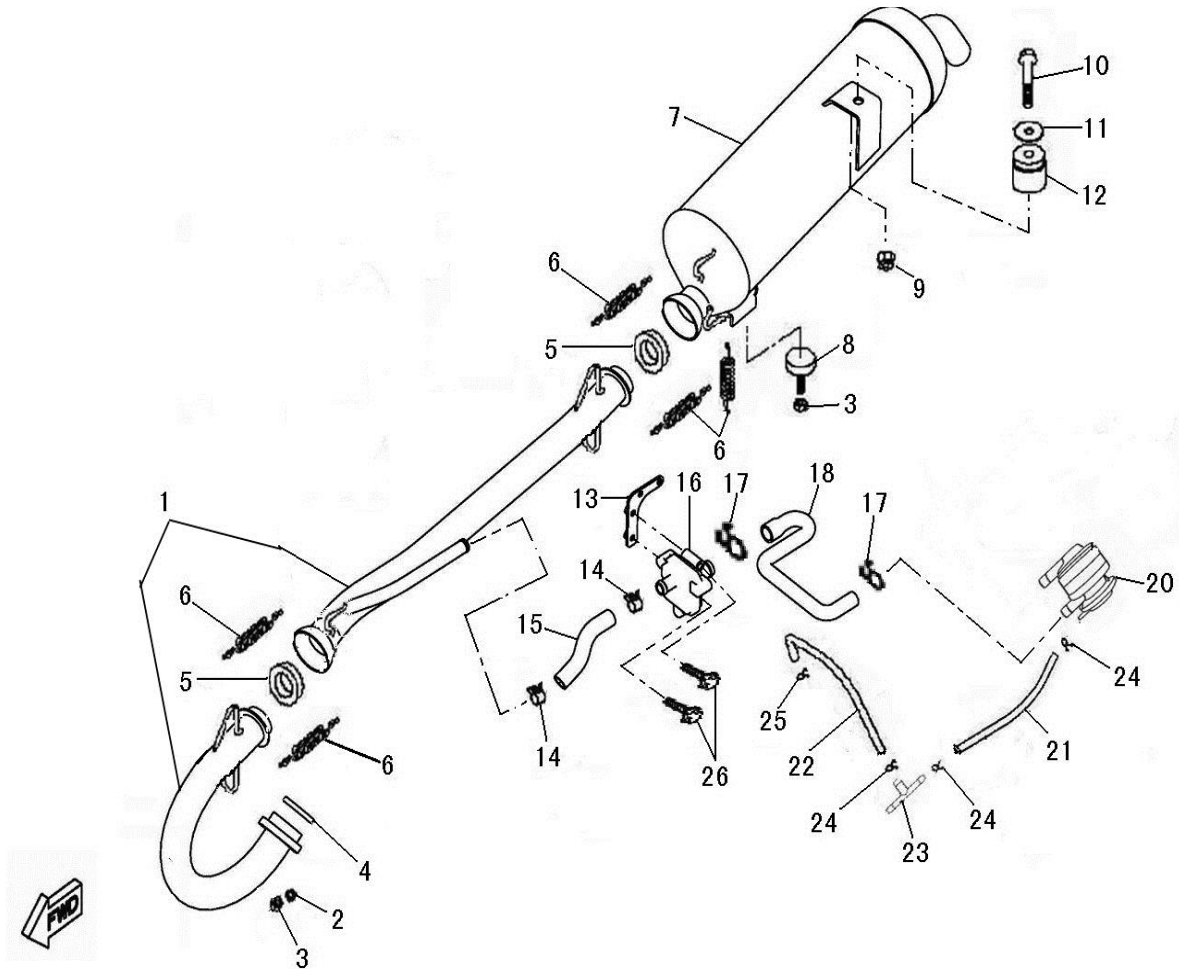


Fig. 55: Udstødning / exhaust

Ref. no.	PL nr / art. no.	Varenavn	Art. name	OE no.	Antal / pcs
1	9057429	Udstødningsrør	Exhaust pipe	35368	1
2	9033861	Fjederskive	Washer	10106	2
3	9050207	Møtrik, M8	Nut, M8	10099	3
4	9057430	Pakning t/udstødningsrør	Exhaust pipe gasket	35369	1
5	9057431	Samler	Joint	35370	2
6	9029909	Fjederskive	Spring	23408	5
7	9057432	Lydpotte	Muffler	35371	1
8	N/A	Ophæng t/lydpotte, bund	Muffler support bottom	35345	1
9	9029913	Låsemøtrik, M10x12,5	Nut, M10x12,5	10015	1
10	N/A	Flangebolt, M10x1,25x62	Bolt, flange, M10x1,25x62	10120	1
11	9034618 (inaktiv)	Skive	Washer plate	10117	1
12	9057433	Ophæng t/lydpotte	Muffler support	35344	1
13	N/A	Ventilbeslag	Valve bracket	35373	1
14	N/A	Clip 15	Clip 15	35378	2
14	N/A	Clamp 16/27	Clamp 16/27	70140	2
15	9057434	Slange C	Hose C	35374	1
16	9057435	Ventil	Valve	35372	1
17	9034629 (inaktiv)	Spændebånd	Hose clamp 16	43519	3
18	9057436	Slange B	Hose B	35375	1
19	9029985	Slange A	Hose A	43518	1
20	9030856	Luftblander ventil	Air induction system assy	2603214	1
21	9030855	Slange	Pipe, air induction	50362	1
21	N/A	Slange (Φ4.5xΦ8x200)	Pipe, air induction (Φ4.5xΦ8x200)	35516	1
22	N/A	Rør / slange	Pipe	35376	1
23	N/A	T-stykke	Tri-connector	2603215	1
23	N/A	T-stykke	Tri-connector	20235	1
24	N/A	Clip 7	Clip 7	2603211	3
24	N/A	Clip 9.8	Clip 9.8	35517	3
25	N/A	Clip 6	Clip 6	35377	1
25	9034632 (inaktiv)	Spændebånd	Clip 7.6	43522	2
26	N/A	Bolt, M6x35	Bolt, M6x35	10186	2

Fig. 56: Køler / radiator

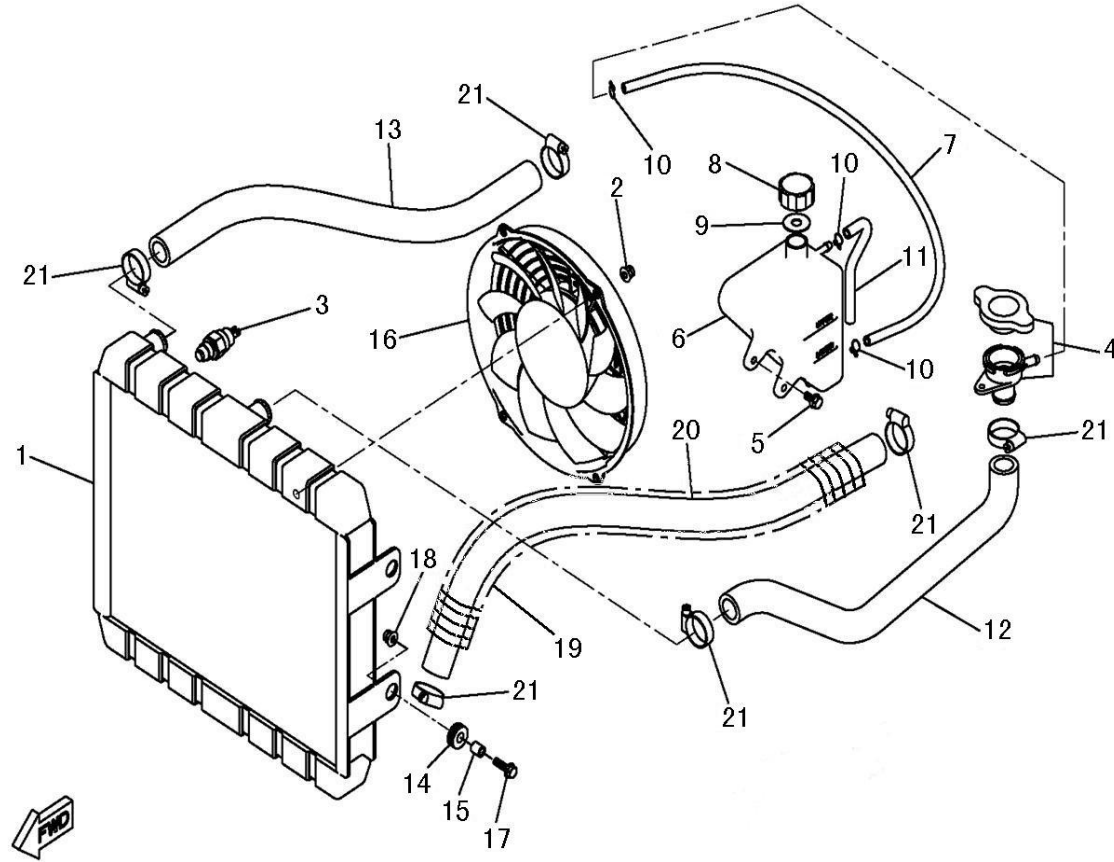


Fig. 56: Køler / radiator

Ref. no.	PL nr / art. no.	Varenavn	Art. name	OE no.	Antal / pcs
1	9057437	Køler	Radiator	35351	1
2	9050206	Møtrik, M6	Nut, M6	10103	4
3	9029756	Kontakt/føler køleventilator	Thermostat switch assy	22919	1
4	9057438	Kølerdæksel	Safety valve	22907a	1
5	9034420 (inaktiv)	Bolt, M6x12	Bolt, M6x12	10140	2
6	9047193	Ekspansionsbeholder	Tank recovery	70340	1
7	N/A	Rør, sikkerhedsventil	Pipe, safety valve	35353	1
8	9047195	Dæksel f/ekspansionsbeholder	Cover, tank recovery	70338	1
9	N/A	Skive f/ekspansionsbeholder	Washer, tank recovery	70339	1
10	9034708 (inaktiv)	Spændebånd	Clip	22924	3
11	9049261 / 9030768	Overløbslange	Pipe, tank recovery	70342	1
12	9039568	Kølerslange	Hose, radiator	70345	1
12	9029845	Kølerslange	Hose, radiator	22909t	1
13	N/A	Fødeslange	Hose, feed	35355	1
14	9029755	Gummiholder	Radiator side grommet	22917	4
15	9034691 (inaktiv)	Bøsning	Collar	22918	4
16	9057439	Blæser, komplet	Blower assy	35354	1
17	9034625	Bolt, M6x20	Bolt, M6x20	10110	4
18	9050206	Møtrik, M6	Nut, M6	10004	4
19	N/A	Krave	Sleeve	35352	1
20	9039570	Kølerslange, ned	Hose, return	70347	1
21	N/A	Clamp, 20/32	Clamp, 20/32	70344	6

Fig. 57: Tilbehør / accessories

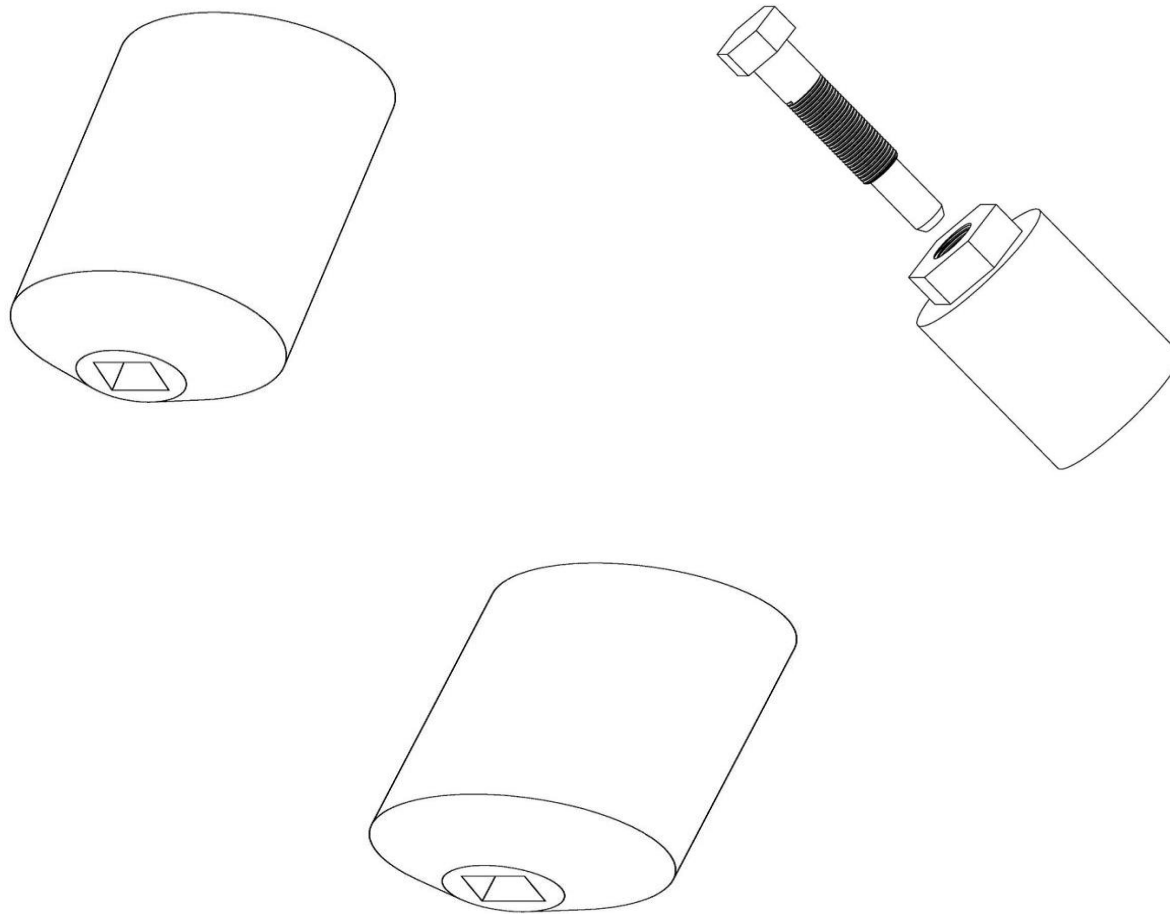


Fig. 57: Tilbehør / accessories

Ref. no.	PL nr / art. no.	Varenavn	Art. name	OE no.	Antal / pcs
1	N/A	Værktøj f/rotor	Rotor assy puller	80129	1
2	N/A	Værktøj f/leje	Bearing retainer	80130	1
3	N/A	Værktøj f/leje	Bearing limit nut	80131	1