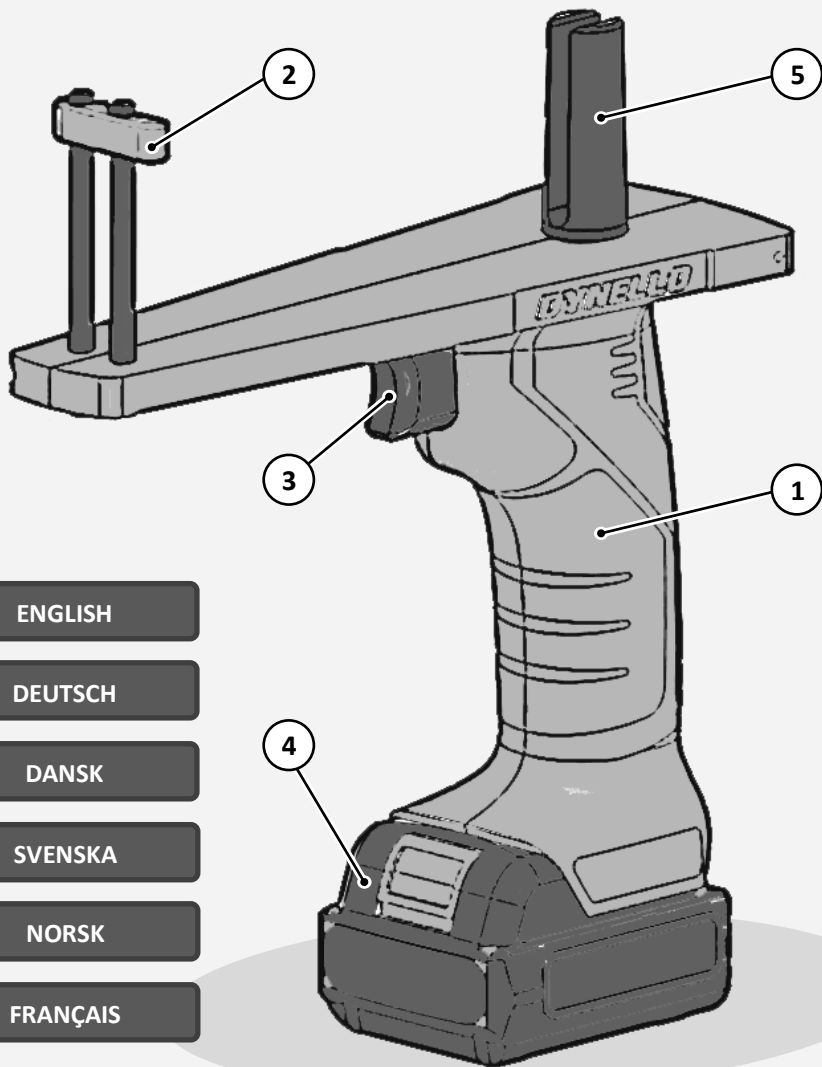


# DYNELLO™



ENGLISH

DEUTSCH

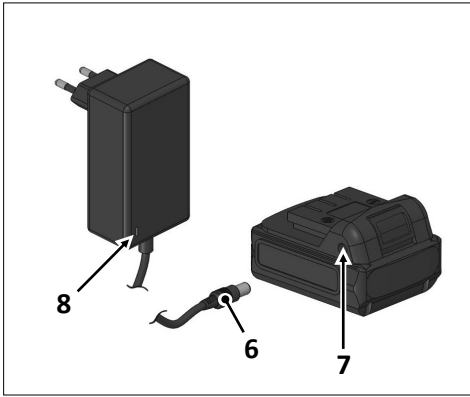
DANSK

SVENSKA

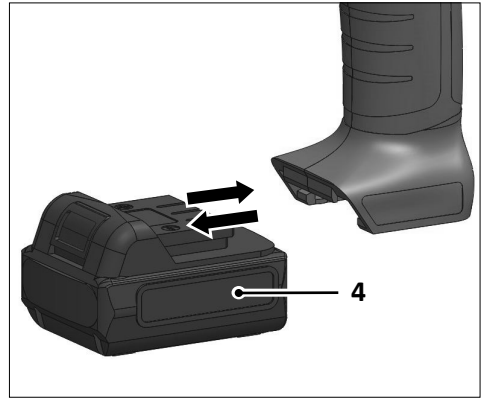
NORSK

FRANÇAIS

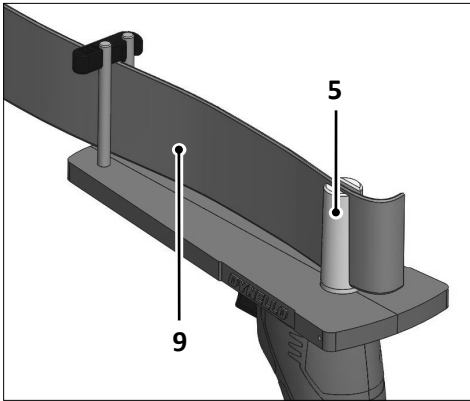
## INSTRUCTIONS



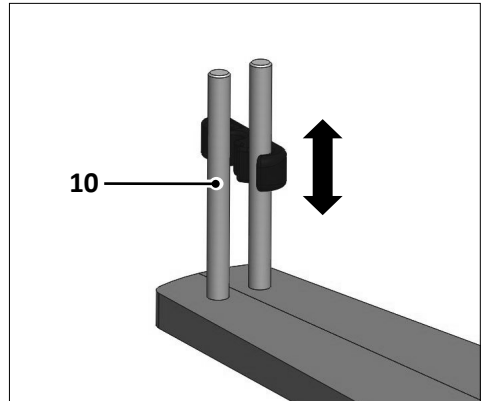
A



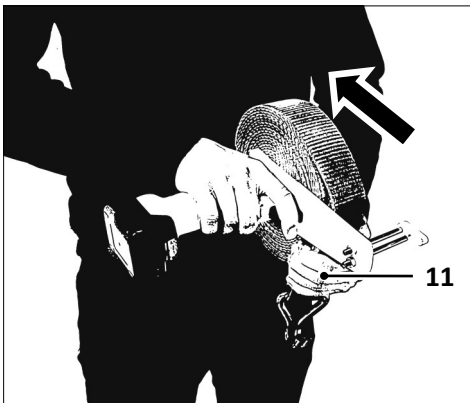
B



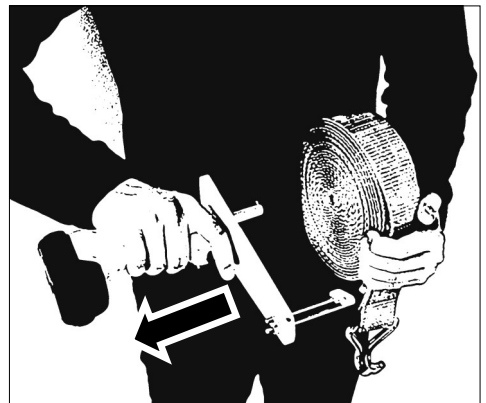
C



D



E



F

suitable for outdoor use reduces the risk of electric shock.

## INTENDED USE

Your Dynello-product has been designed for rewinding applications of cargo straps, following design specifications in EN 12195-2, as well as other rewinding applications specified by Dynello.

## SAFETY INTRUCTIONS

### General power tool safety warnings



**WARNING! Read all safety warnings and all instructions.** Failure to follow the warnings and instructions may result in electric shock, fire and/or serious injury.

**Save all warnings and instructions for future reference.** The term "power tool" in the warnings refers to your mains-operated (corded) power tool or battery-operated (cordless) power tool.

#### 1) WORK AREA SAFETY

- a) **Keep work area clean and well lit.** Cluttered or dark areas invite accidents.
- b) **Do not operate power tools in explosive atmospheres, such as in the presence of flammable liquids, gases or dust.** Power tools create sparks which may ignite the dust or fumes.
- c) **Keep children and bystanders away while operating a power tool.** Distractions can cause you to lose control.

#### 2) ELECTRICAL SAFETY

- a) **Power tool plugs must match the outlet. Never modify the plug in any way. Do not use any adapter plugs with earthed (grounded) power tools.** Unmodified plugs and matching outlets will reduce risk of electric shock.
- b) **Avoid body contact with earthed or grounded surfaces such as pipes, radiators, ranges and refrigerators.** There is an increased risk of electric shock if your body is earthed or grounded.
- c) **Do not expose power tools to rain or wet conditions.** Water entering a power tool will increase the risk of electric shock.
- d) **Do not abuse the cord. Never use the cord for carrying, pulling or unplugging the power tool. Keep cord away from heat, oil, sharp edges or moving parts.** Damaged or entangled cords increase the risk of electric shock.
- e) **When operating a power tool outdoors, use an extension cord suitable for outdoor use.** Use of a cord

f) **If operating a power tool in a damp location is**

**unavoidable, use a ground fault circuit interrupter (GFCI) protected supply.** Use of a GFCI reduces the risk of electric shock.

#### 3) PERSONAL SAFETY

- a) **Stay alert, watch what you are doing and use common sense when operating a power tool. Do not use a power tool while you are tired or under the influence of drugs, alcohol or medication.** A moment of inattention while operating power tools may result in serious personal injury.
- b) **Use personal protective equipment. Always wear eye protection.** Protective equipment such as dust mask, nonskid safety shoes, hard hat, or hearing protection used for appropriate conditions will reduce personal injuries.
- c) **Prevent unintentional starting. Ensure the switch is in the off position before connecting to power source and/ or battery pack, picking up or carrying the tool.** Carrying power tools with your finger on the switch or energizing power tools that have the switch on invites accidents.
- d) **Remove any adjusting key or wrench before turning the power tool on.** A wrench or a key left attached to a rotating part of the power tool may result in personal injury.
- e) **Do not overreach. Keep proper footing and balance at all times.** This enables better control of the power tool in unexpected situations.
- f) **Dress properly. Do not wear loose clothing or jewelry. Keep your hair, clothing and gloves away from moving parts.** Loose clothes, jewelry or long hair can be caught in moving parts.
- g) **If devices are provided for the connection of dust extraction and collection facilities, ensure these are connected and properly used.** Use of dust collection can reduce dust-related hazards.

#### 4) POWER TOOL USE AND CARE

- a) **Do not force the power tool. Use the correct power tool for your application.** The correct power tool will do the job better and safer at the rate for which it was designed.
- b) **Do not use the power tool if the switch does not turn it on and off.** Any power tool that cannot be controlled with the switch is dangerous and must be repaired.
- c) **Disconnect the plug from the power source and/or the battery pack from the power tool before making any adjustments, changing accessories, or storing power tools.** Such preventive safety measures reduce

**e) Maintain power tools. Check for misalignment or binding of moving parts, breakage of parts and any other condition that may affect the power tool's operation. If damaged, have the power tool repaired before use.** Many accidents are caused by poorly maintained power tools.

**f) Keep cutting tools sharp and clean.** Properly maintained cutting tools with sharp cutting edges are less likely to bind and are easier to control.

**g) Use the power tool, accessories and tool bits, etc. in accordance with these instructions, taking into account the working conditions and the work to be performed.** Use of the power tool for operations different from those intended could result in a hazardous situation.

### 5) BATTERY TOOL USE AND CARE

**a) Recharge only with the charger specified by the manufacturer.** A charger that is suitable for one type of battery pack may create a risk of fire when used with another battery pack.

**b) Use power tools only with specifically designated battery packs.** Use of any other battery packs may create a risk of injury and fire.

**c) When battery pack is not in use, keep it away from other metal objects like paper clips, coins, keys, nails, screws, or other small metal objects that can make a connection from one terminal to another.** Shorting the battery terminals together may cause burns or a fire.

**d) Under abusive conditions, liquid may be ejected from the battery, avoid contact. If contact accidentally occurs, flush with water. If liquid contacts eyes, additionally seek medical help.** Liquid ejected from the battery may cause irritation or burns.

**e) Do not use a battery pack or tool that is damaged or modified.** Damaged or modified batteries may exhibit unpredictable behavior resulting in fire, explosion or risk of injury.

**f) Do not expose a battery pack or tool to fire or excessive temperature.** Exposure to fire or temperature above 130°C may cause explosion.

**g) Follow all charging instructions and do not charge the battery pack or tool outside the temperature range specified in the instructions.** Charging improperly or at temperatures outside the specified range may damage the battery and increase the risk of fire.

### 6) SERVICE

**a) Have your power tool serviced by a qualified repair person using only identical replacement parts.** This

will ensure that the safety of the power tool is maintained.  
**b) Never service damaged battery packs.** Service of battery packs should only be performed by the manufacturer or authorized service providers.



### Additional power tool safety warnings

**WARNING!** Additional safety warnings for rewinding power tools.

- Ensure that the cargo strap is gathered so the cargo strap hook cannot grip the surrounding objects. This can lead to dangerous situations and risk of injury if the cargo strap is not gathered before rewinding.
- Do not move while the power tool is used. It can cause injury if control of the power tool is lost.
- When rewinding, note the cargo strap hook and reduce the tool speed when the hook is approaching the power tool. It may cause risk of injury if the attention on the hook is lost.
- Do not touch the rotating parts of the power tool while it is being used, as this may cause risk of injury.
- Do not hold the switch down when finished rewinding. This can lead to overloading of the power tool and risk of damage to the tool and/or injury.
- The intended use is described in this instruction manual. The use of any accessory or attachment or performance of any operation with this tool other than those recommended in this instruction manual may present a risk of injury and/or damage to property.

### Safety of others

- This appliance is not intended for use by persons (including children) with reduced physical, sensory or mental capabilities, or lack of experience and knowledge, unless they have been given supervision or instruction concerning use of the appliance by a person responsible for their safety.
- Children should be supervised to ensure that they do not play with the appliance.
- Be aware of your surroundings and never use the power tool if there is a risk that might result in dangerous situations.

Residual risks

Additional residual risks may arise when using the tool which may not be included in the enclosed safety warnings. These risks can arise from misuse, prolonged use etc. Even with the application of the relevant safety regulations and the implementation of safety devices, certain residual risks can not be avoided. These include:

- Injuries caused by touching any rotating/moving parts.
- Injuries caused when changing any parts or accessories.
- Injuries caused by prolonged use of a tool. When using any tool for prolonged periods ensure you take regular breaks.
- Injuries caused by external parts or appliances when operating the tool. When using the tool be aware of external rotating/moving parts to avoid injury.

Vibration

**WARNING!** The vibration emission value during actual use of the power tool can differ from the declared value depending on the ways in which the tool is used. The vibration level may increase above the level stated.

When assessing vibration exposure to determine safety measures required by 2002/44/EC to protect persons regularly using power tools in employment, an estimation of vibration exposure should consider, the actual conditions of use and the way the tool is used, including taking account of all parts of the operating cycle such as the times when the tool is switched off and when it is running idle in addition to the trigger time.

Labels on tool



The following symbols are shown on the tool:

**WARNING!** To reduce the risk of injury, the user must read the instruction manual.



**WARNING!** To reduce the risk of injury, safety goggles must be worn at all times when operating the tool.

Additional safety instructions for batteries and chargers

BATTERIES

- Never attempt to open for any reason.
- Do not expose the battery to water.
- Do not store in locations where the temperature may exceed 40°C.
- Charge only at ambient temperatures between 10°C - 40°C.
- Charge only using the charger provided with the tool.



• When disposing of batteries, follow the instructions given in the section "Protecting the environment".



**WARNING!** Do not put battery in fire. Do not burn the battery. Batteries can explode and release toxic materials and gases which harm humans as well as the environment.

**WARNING!** To reduce the risk of injury, the user must read the instruction manual.

CHARGERS

- Use your Dynello charger only to charge the battery in the tool with which it was supplied. Other batteries could burst, causing personal injury and damage.
- Never attempt to charge non-rechargeable batteries.
- Have defective cords replaced immediately.



- Do not expose the charger to water.
- Do not open the charger.



- Do not probe the charger.

**WARNING!** The charger is intended for indoor use only.

**WARNING!** Read the instruction manual before use.



ELECTRICAL SAFETY

- If supply cord is damaged, it must be replaced by the manufacturer or an authorised Dynello Service Centre in order to avoid a hazard.

**WARNING!** Your charger is double insulated; therefore no earth wire is required. Always check that the mains voltage corresponds to the voltage on the rating plate.

Never attempt to replace the charger unit with

## FEATURES

This tool includes the following features.

1. The tool
2. Adjustable lock
3. Variable speed switch
4. Battery
5. Fork shaft

### Fig. A

6. Charger
7. Charging port at battery
8. Charging indicator

### Fig. D

10. Guide pins

## ASSEMBLY

### Fitting and removing the battery (Fig. B)

- To fit the battery (4), line it up with the receptacle on the tool. Slide the battery into the receptacle and push until the battery snaps into place.
- To remove the battery, push the release button at the battery while at the same time pulling the battery out of the receptacle.

## USE

**WARNING!** Do not use the tool for other than its intended use. Other usage can cause personal injury and damage.

### Charging the battery (Fig. A)

The battery needs to be charged before first use and whenever it fails to produce sufficient power for its intended use. The battery may become warm while charging; this is normal and does not indicate a problem.

**WARNING!** Do not charge the battery while inserted in the tool. Ensure the battery is removed from the tool, before charging the battery.

**WARNING!** Do not charge the battery at ambient temperatures below 10°C or above 40°C. Recommended charging temperature: approx. 24°C.

**Note: The charger will not charge a battery if the cell temperature is below approx. 0°C or above 40°C. The battery should be left in the charger and the charger will begin to charge automatically when the cell temperature warms up or cools down.**

- To charge the battery (4), insert the charger plug (6) into the charging port at the battery (7). Be sure that the plug snaps into place.

- Plug the in the charger and switch in the mains.

The charging indicator (8) will light red continuously when charging.

The charge is complete when the charging indicator (8) lights green continuously. The charger and the battery can be left connected indefinitely with the LED illuminated. The LED will change to continuously red (charging) state as the charger occasionally tops up the battery charge. The charging indicator (8) will be lit as long as the battery is connected to the plugged-in charger.

- Charge discharged batteries within 1 week. Battery life will be greatly diminished if stored in a discharged state.

### Adjusting for strap width (Fig. D)

The tool is provided with an adjustable lock (2) which allow for easily adjusting to different widths of straps.

- Ensure the adjustable lock (2) is unlocked.
- Adjust it by sliding the adjustable lock (2) on the guide pins (10).

### Fitting a strap (Fig. C)

The tool is fitted with guide pins (10) and an adjustable lock (2) which allow for smooth rewinding of the strap (9). To mount the strap (9) follow these steps:

- Ensure the adjustable lock (2) is unlocked.
- Adjust the adjustable lock (2) to the width of the strap (9).
- Grasp the strap (9) and lead it through the guide pins (10) and fork shaft (5).
- Now lock the adjustable lock (2).

### Rewinding

This tool can only rotate clockwise, seen from above.

- To switch the tool on, press the switch (3). The tool speed depends on how far you press the switch.
- To switch tool off, release the switch.
- When the strap is wound to the end, immediately release the switch.

- Hold the tool (1) horizontal with your right hand, grasp the strap (9) by your left hand (11) and press the strap into your stomach to get a strong hold of the strap (as seen at Fig. E).
- Now pull the tool (1) away from the strap (9) in a horizontal movement, until the tool is free of the strap (as seen at Fig. F).

**Note:** This approach is assumed for right-handed people. For left-handed people it is the other way around.

## MAINTENANCE

Your Dynello tool has been designed to operate over a long period of time with a minimum of maintenance.

Continues satisfactory operation depends upon proper tool care and regular cleaning.

Your charger does not require any maintenance apart from regular cleaning.

**WARNING!** Before performing any maintenance on the tool, remove the battery from the tool. Unplug the charger before cleaning it.

- Regularly clean the motor housing using a damp cloth. Do not use any abrasive or solvent-based cleaner.



## PROTECTING THE ENVIRONMENT

Separate collection. This product must not be disposed of with normal household waste.

Should you find one day that your Dynello product needs replacement, or if it is of no further use to you, do not



dispose of it with household waste. Make this product available for separate collection.

Separate collection of used products and packaging allows materials to be recycled and used again. Re-use of recycled materials helps

prevent environmental pollution and reduces the demand for raw materials.

Local regulations may provide for separate collection of electrical products from the household, at municipal waste sites or by the retailer when you purchase a new product.

Dynello provides a facility for the collection and recycling of Dynello products once they have reached the end of

their working life. To take advantage of this service please return your product to any authorised repair agent who will collect them on our behalf.



## BATTERIES



Run the battery down completely, then remove it from the tool.

Li-Ion batteries are recyclable. Take them to

RS0101		
Voltage	V <sub>DC</sub>	12
No-load speed	Min <sup>-1</sup>	0-300

Charger RS0101-018		
Input voltage	V <sub>AC</sub>	230
Output voltage	V <sub>DC</sub>	12
Current	mA	1300
Approx. charge time	Hrs.	2 - 3

Battery RS0101-010		
Voltage	V <sub>DC</sub>	12
Capacity	Ah	1.3
Type		Li-Ion

Level of sound pressure according to EN 62841-1	
Sound pressure (L <sub>pA</sub> )	69.2 dB(A), uncertainty (K) 3 dB(A)
Sound power (L <sub>WA</sub> )	80.2 dB(A), uncertainty (K) 3 dB(A)

Vibration total values (triaux vector sum) according to EN 62841-1	
Rewind with strap (a <sub>h,M</sub> )	<2.5 m/s <sup>2</sup> , uncertainty (K) 1,5 m/s <sup>2</sup>
Rewind without strap (a <sub>h,U</sub> )	<2.5 m/s <sup>2</sup> , uncertainty (K) 1,5 m/s <sup>2</sup>

any authorised repair agent or a local recycling station.

## Technical data

### TECHNICAL DEVELOPMENT

Dynello is continuously working on the development of all tools and equipment; We must therefore reserve the right to make changes in the products form, technique and

## EC DECLARATION OF CONFORMITY

### MACHINERY DIRECTIVE



RS0101

Dynello declares that these products described under  
"Technical data" are in compliance with:  
2006/42/EC, EN 62841-1

For more information please visit our website:  
[www.dynello.com](http://www.dynello.com)

The undersigned is responsible for compilation of the  
technical file and makes this declaration on behalf of  
Dynello.

Emil Schrøder Jakobsen  
Technical Manager  
Dynello ApS, Inge Lehmanns Gade 10, 6th floor  
8000 Aarhus  
Denmark  
10.05.2016

- The tool or equipment has sustained damage through foreign objects, substances or accidents;
- Repairs have been attempted by persons other than authorised repair agents or Dynello service staff.

To claim on the guarantee, you will need to submit proof of purchase to the seller or an authorised repair agent. You can check the location of your nearest authorised repair agent at our website [www.dynello.com](http://www.dynello.com)

Further information on the Dynello brand and our range of products is also available at [www.dynello.com](http://www.dynello.com)

## THANK YOU

Thank you for buying a Dynello-quality product. This product is manufactured on modern production- and quality management methods. We will do everything to ensure that you are satisfied and can use it without any problems. If you have any questions regarding the tool, please contact your seller or Dynello.

Best regards,  
Emil Schrøder Jakobsen & Jens Kjærulff

## GUARANTEE

Dynello is confident of the quality of its products and offers an outstanding guarantee. This statement is in addition to and in no way prejudices your statutory rights. The guarantee is valid within the territories of the Member States of the European Union and the European Free Trade Area.

If your Dynello tool becomes defective due to faulty materials, workmanship or lack of conformity, within 24 months from the date of purchase, Dynello guarantees to replace defective parts, repair products subjected to fair wear and tear or replace such tool to ensure minimum inconvenience to the customer unless:

- The tool or equipment has been subjected to misuse or neglect;



## BESTIMMUNGSGEMÄÙE VERWENDUNG

Ihr Dynello-Produkt, sowie weitere Produkte von Dynello, wurden für das Aufrollen von Zurrgurten (gem. EN 12195-2) entworfen.

## SICHERHEITSHINWEISE

### Allgemeine Warnhinweise zur Sicherheit von Elektrowerkzeugen



**Achtung! Lesen Sie sämtliche Sicherheitswarnhinweise und sonstigen Anweisungen.** Die Nichteinhaltung der nachstehend aufgeführten Warnhinweise und sonstigen Anweisungen kann einen elektrischen Schlag, Brand und/oder schwere Verletzungen verursachen.

**Bewahren Sie alle Warnhinweise und sonstigen Anweisungen zur künftigen Bezugnahme auf.** Der nachfolgend verwendete Begriff "Gerät" bezieht sich auf netzbetriebene Geräte (mit Netzkabel) und auf akkubetriebene Geräte (ohne Netzkabel).

### 1. SICHERHEIT AM ARBEITSPLATZ

- Halten Sie Ihren Arbeitsbereich sauber und gut ausgeleuchtet.** Unordnung und dunkle Arbeitsbereiche fördern Unfälle geradezu heraus.
- Arbeiten Sie mit Geräten nicht in explosionsgefährdeter Umgebung, in der sich brennbare Flüssigkeiten, Gase oder Stäube befinden.** Geräte erzeugen Funken, die den Staub oder die Dämpfe entzünden können.
- Halten Sie Kinder und andere Personen während der Benutzung eines Geräts fern.** Bei Ablenkung können Sie die Kontrolle verlieren.

### 2. ELEKTRISCHE SICHERHEIT

- Der Anschlussstecker des Geräts muss in die Steckdose passen.** Der Stecker darf in keiner Weise verändert werden. Verwenden Sie keine Adapterstecker gemeinsam mit schutzgeerdeten Geräten. Unveränderte Stecker und passende Steckdosen verringern das Risiko eines elektrischen Schlages.
- Vermeiden Sie Körperkontakt mit geerdeten Oberflächen von Rohren, Heizungen, Herden und Kühlschränken.** Es besteht ein erhöhtes Risiko eines elektrischen Schlags, wenn Ihr Körper geerdet ist.
- Halten Sie Geräte von Regen und Nässe fern.** Das Eindringen von Wasser in ein Gerät erhöht das Risiko eines elektrischen Schlages.
- Missbrauchen Sie nicht das Kabel.** Verwenden Sie das Kabel niemals zum Tragen, Ziehen oder Trennen

des Gerätes vom Netz. Halten Sie das Kabel fern von Hitze, Öl, scharfen Kanten oder sich bewegenden Teilen. Beschädigte oder verwickelte Kabel erhöhen das Risiko eines elektrischen Schlages.

- Wenn Sie mit einem Gerät im Freien arbeiten, verwenden Sie nur Verlängerungskabel, die auch für den Außenbereich zugelassen sind.** Die Verwendung eines für den Außenbereich geeigneten Verlängerungskabels verringert das Risiko eines elektrischen Schlages.
- Falls der Betrieb des Elektrowerkzeugs in einer feuchten Umgebung unvermeidbar ist, verwenden Sie einen mit einem Fehlerstromschutzschalter (FI-Schutzschalter) abgesicherten Stromkreis.** Durch die Verwendung eines FI-Schutzschalters wird das Risiko eines Stromschlags verringert.

### 3. SICHERHEIT VON PERSONEN

- Seien Sie aufmerksam, achten Sie darauf, was Sie tun, und gehen Sie vernünftig mit einem Gerät um. Benutzen Sie das Gerät nicht, wenn Sie müde sind oder unter dem Einfluss von Drogen, Alkohol oder Medikamenten stehen.** Ein Moment der Unachtsamkeit beim Gebrauch von Geräten kann zu ernsthaften Verletzungen führen.
- Tragen Sie persönliche Schutzausrüstung. Tragen Sie immer eine Schutzbrille.** Das Tragen persönlicher Schutzausrüstung, wie Staubmaske, rutschfeste Sicherheitsschuhe, Schutzhelm oder Gehörschutz, je nach Art und Einsatz des Elektrowerkzeuges, verringert das Risiko von Verletzungen.
- Vermeiden Sie eine unbeabsichtigte Inbetriebnahme. Vergewissern Sie sich, dass der Schalter auf der Aus-Stellung steht, bevor Sie den Stecker in die Steckdose stecken und/oder das Akkupaket im Werkzeug stecken, das Werkzeug aufnehmen oder tragen.** Wenn Sie beim Tragen des Elektrowerkzeugs den Finger am Schalter haben oder das Werkzeug eingeschaltet an die Stromversorgung anschließen, kann dies zu Unfällen führen.
- Entfernen Sie Einstell- oder Schraubenschlüssel, bevor Sie das Gerät einschalten.** Ein Schlüssel, der sich in einem sich drehenden Teil befindet, kann zu Verletzungen führen.
- Nicht zu weit nach vorne strecken! Achten Sie auf einen sicheren Stand, um in jeder Arbeitsposition das Gleichgewicht zu halten.** Dadurch können Sie das Gerät in unerwarteten Situationen besser unter Kontrolle halten.
- Tragen Sie geeignete Kleidung. Tragen Sie keine weite Kleidung oder Schmuck. Halten Sie Haare, Kleidung und Handschuhe fern von sich bewegenden Teilen.** Lockere Kleidung, Schmuck oder lange Haare können von sich bewegenden Teilen erfasst werden.

**4. GEBRAUCH UND PFLEGE VON GERÄTEN**

**a. Überlasten Sie das Gerät nicht. Verwenden Sie für Ihre Arbeit das dafür bestimmte Gerät.** Mit dem passenden Gerät arbeiten Sie besser und sicherer im angegebenen Leistungsbereich.

**b. Benutzen Sie kein Gerät, dessen Schalter defekt ist.** Ein Gerät, das sich nicht mehr ein- oder ausschalten lässt, ist gefährlich und muss repariert werden.

**c. Trennen Sie den Stecker von der Stromquelle und/oder das Akkupaket vom Elektrowerkzeug, bevor Einstellungen vorgenommen, Zubehör gewechselt oder Elektrowerkzeuge verstaut werden.** Diese Vorsichtsmaßnahmen verhindern den unbeabsichtigten Start des Gerätes.

**d. Bewahren Sie unbenutzte Geräte außerhalb der Reichweite von Kindern auf. Lassen Sie Geräte nicht von Personen benutzen, die damit nicht vertraut sind oder diese Anweisungen nicht gelesen haben.** Geräte sind gefährlich, wenn Sie von unerfahrenen Personen benutzt werden.

**e. Halten Sie Geräte in einem einwandfreien Zustand. Kontrollieren Sie, ob bewegliche Teile falsch ausgerichtet sind oder klemmen und ob Teile gebrochen oder so beschädigt sind, dass die Funktion des Geräts beeinträchtigt ist. Lassen Sie beschädigte Geräte vor dem Gebrauch reparieren.** Viele Unfälle haben ihre Ursache in schlecht gewarteten Geräten.

**f. Halten Sie Schneidgeräte scharf und sauber.** Sorgfältig gepflegte Schneidgeräte mit scharfen Schneidkanten verkleben sich weniger und sind leichter zu führen.

**g. Verwenden Sie das Elektrowerkzeug, Zubehör sowie Werkzeug-Bits, usw. entsprechend diesen Anweisungen. Berücksichtigen Sie dabei die Arbeitsbedingungen sowie die durchzuführende Arbeit.** Der Gebrauch von Geräten für andere als die vorgesehenen Anwendungen kann zu gefährlichen Situationen führen.

**5. GEBRAUCH UND PFLEGE VON AKKUGERÄTEN**

**a. Laden Sie die Akkus nur in Ladegeräten auf, die vom Hersteller angegeben wurden.** Für ein Ladegerät, das nur für eine bestimmte Akku-Art geeignet ist, besteht Brandgefahr, wenn es mit anderen Akkus verwendet wird.

**b. Verwenden Sie nur die für die Geräte vorgesehenen Akkus.** Der Gebrauch von anderen Akkus kann zu Verletzungen und Brandgefahr führen.

**c. Halten Sie den nicht benutzten Akku fern von Büroklammern, Münzen, Schlüsseln, Nägeln, Schrauben oder anderen kleinen Metallgegenständen, die eine Überbrückung der Kontakte verursachen könnten.** Ein Kurzschluss zwischen den Akkukontakten kann Verbrennungen oder Feuer zur Folge haben.

**d. Bei falscher Anwendung kann Flüssigkeit aus dem Akku austreten. Vermeiden Sie den Kontakt damit. Bei unbeabsichtigtem Kontakt mit Wasser abspülen. Gelangt die Flüssigkeit in die Augen, ziehen Sie außerdem ärztliche Hilfe hinzu.** Austretende Batterieflüssigkeit kann zu Hautreizungen oder Verbrennungen führen.

**e. Verwenden Sie keine Akkus oder elektrischen Werk-**

**zeuge, die beschädigt oder verändert sind.** Beschädigte oder veränderte Akkus können unvorhersehbare Schäd-

den in Form von Brand, Explosionen und damit einhergehende Risiken von Personenschäden verursachen.

**f. Setzen Sie den Akku und das elektrische Werkzeug nicht dem Feuer oder hoher Temperaturen aus.** Temperaturen von über 130° C können zur Explosion führen.

**g. Befolgen Sie die Anweisungen zum korrekten Laden des Gerätes und laden Sie die Batterie oder das Werkzeug nicht bei Temperaturen, die von denen in der Anweisung abweichen.** Das falsche Laden oder Laden bei zu hohen Temperaturen kann den Akku beschädigen und das Risiko eines Brandes erhöhen.

**6. SERVICE**

**a. Lassen Sie Ihr Gerät nur von qualifiziertem Fachpersonal und nur mit Original-Ersatzteilen reparieren.** Damit wird gewährleistet, dass die Sicherheit des Geräts erhalten bleibt.

**b. Reparieren Sie niemals beschädigte Akkus.** Reparaturen von Akkus sollten nur durch den Produzenten oder autorisierte Dynello Service Centren durchgeführt werden.



### Weitere Sicherheitshinweise für Elektrowerkzeuge

**ACHTUNG!** Weitere Sicherheitshinweise für das Aufroll-Elektrowerkzeug.

- Sorgen Sie vor dem Aufrollen immer dafür, dass der Zurring auf einem Haufen liegt, damit der Haken des Gurtes sich nicht an umliegenden Gegenständen festhakt. Es kann beim Aufrollen sonst zu gefährlichen Situationen mit eventuellen Personenschäden führen.
- Bewegen Sie sich während der Bedienung des Elektrowerkzeuges nicht. Der Verlust der Kontrolle über das Werkzeug kann Personenschäden zur Folge haben.
- Achten Sie während des Aufrollens auf den Haken des Zurringurtes und senken Sie die Aufrollgeschwindigkeit, sobald der Haken sich dem Elektrowerkzeug nähert. Es kann zu Personenschäden kommen, wenn der Zurring unaufmerksam aufgerollt und der Haken dabei außer Acht gelassen wird.
- Berühren Sie während des Einsatzes nicht die rotierenden Teile des Elektrowerkzeuges, da hierbei ein Verletzungsrisiko besteht.
- Lösen Sie den Aufrollknopf sobald der Zurring vollständig aufgerollt ist. Ein unnötig langes Gedrückthalten kann zu einer Überlastung des Gerätes und Schäden am Elektrowerkzeug und/oder an Personen verursachen.
- Die bestimmungsgemäße Verwendung ist in dieser Bedienungsanleitung beschrieben. Das Verwenden

Sicherheit Dritter

- Das Gerät darf nicht von Personen (hierunter Kindern) mit physischen, sensorischen oder mentalen Beeinträchtigungen oder mit unzureichender Erfahrung bedient werden, es sei denn dies geschieht unter Aufsicht oder es erfolgt eine Einweisung im Gebrauch des Gerätes durch die Person, die verantwortlich für die Sicherheit der betreffenden Person ist.
- Kinder sind zu beaufsichtigen und es ist sicherzustellen, dass Sie nicht mit dem Elektrowerkzeug spielen.
- Beachten Sie Ihre Umgebung und verwenden Sie niemals das Elektrowerkzeug, wenn das Risiko besteht, dass gefährliche Situationen entstehen könnten.

Restrisiken

Für den Gebrauch dieses Werkzeugs verbleiben zusätzliche Restrisiken, die möglicherweise nicht in den Sicherheitswarnungen genannt werden. Diese Risiken bestehen beispielsweise bei Missbrauch oder längerem Gebrauch. Auch bei der Einhaltung der entsprechenden Sicherheitsvorschriften und der Verwendung aller Sicherheitsgeräte bestehen weiterhin bestimmte Restrisiken. Diese werden im Folgenden aufgeführt:

- Verletzungen, die durch das Berühren von sich drehenden/bewegenden Teilen verursacht werden.
- Verletzungen, die durch das Austauschen von Teilen, Messern oder Zubehör verursacht werden.
- Verletzungen, die durch längeren Gebrauch eines Werkzeugs verursacht werden. Legen Sie bei längerem Gebrauch regelmäßige Pausen ein.
- Schäden bei der Bedienung des Werkzeugs, verursacht durch externe Teile oder die Apparatur. Achten Sie während der Bedienung des Werkzeuges auf externe rotierende/bewegliche Teile um Sach- und Personenschäden zu vermeiden.

Vibrationen

Die angegebenen Werte der Vibration sind in den technischen Daten sowie in der Einverständniserklärung aufgeführt und wurden mit der Standardtestmethode nach EN 62841-1 ermittelt. Hierdurch entsteht eine gute Vergleichbarkeit mit anderen Elektrowerkzeugen. Die angegebenen Werte der Vibration können ebenfalls als vorläufige Bewertung einer möglichen Belastung dienen.

**ACHTUNG!** Der Vibrationswert beim eigentlichen Gebrauch des Elektrowerkzeugs kann vom angegebenen

Wert abweichen. Dies hängt davon ab, auf welche Weise das Werkzeug verwendet wird. Der Vibrationswert kann über den angegebenen Wert hinaus ansteigen.

Bei der Einstufung der Vibrationen zur Festlegung der von 2002/44/EC geforderten Sicherheitsmaßnahmen zum Schutz von Personen, die beruflich regelmäßig mit Elektrowerkzeugen arbeiten, muss eine Vibrationseinstufung die tatsächlichen Gebrauchsbedingungen und die Art und Weise berücksichtigen, wie das Werkzeug verwendet wird. Auch müssen alle Aspekte des Arbeitszyklus berücksichtigt werden, wie beispielsweise die Zeiten, in denen das Werkzeug aus- und eingeschaltet ist und im Leerlauf läuft.



Schilder auf dem Gerät

Es befinden sich folgende Bildzeichen auf dem Gerät:



**ACHTUNG!** Um die Verletzungsgefahr zu verringern, muss der Benutzer die Bedienungsanleitung lesen.

**ACHTUNG!** Um das Verletzungsrisiko zu reduzieren, muss bei der Bedienung des Gerätes stets eine Schutzbrille getragen werden.

Zusätzliche Sicherheitsanweisungen für Akkus und Ladegeräte

AKKUS

- Versuchen Sie auf keinen Fall, einen Akku zu öffnen.
- Setzen Sie den Akku keiner Nässe aus.
- Nicht an einem Ort aufbewahren, wo die Temperatur 40 °C überschreiten kann.
- Nur bei Umgebungstemperaturen zwischen 10 °C und 40 °C aufladen.



• Laden Sie den Akku nur mit dem im Lieferumfang enthaltenen Ladegerät.

• Befolgen Sie bei der Entsorgung von Akkus die Anweisungen im Abschnitt "Umweltschutz".



**ACHTUNG!** Setzen Sie den Akku nicht dem Feuer aus. Verbrennen Sie den Akku nicht. Akkus können explodieren und giftige Stoffe freisetzen, die dem Menschen und der Umwelt schaden.

**ACHTUNG!** Um das Risiko von Schäden möglichst gering zu halten, muss der Nutzer des Gerätes die Bedienungsanleitung lesen.

LADEGERÄTE

- Lassen Sie beschädigte Leitungen sofort austauschen.
- Setzen Sie das Ladegerät niemals Nässe aus.
- Öffnen Sie das Ladegerät nicht.
- Fassen Sie nicht mit den Fingern oder irgendwelchen Gegenständen in das Ladegerät.



**ACHTUNG!** Das Ladegerät ist ausschließlich für den Gebrauch in geschlossenen Räumen vorgesehen.



**ACHTUNG!** Lesen Sie vor dem Gebrauch sorgfältig die Bedienungsanleitung.

### ELEKTRISCHE SICHERHEIT

- Falls das Netzkabel beschädigt ist, so ist es vom Hersteller oder einem autorisierten Dynello Service Center auszutauschen, um Gefahren vorzubeugen.

Ihr Ladegerät ist schutzisoliert, daher ist keine Erdleitung erforderlich. Überprüfen Sie immer, ob die Netzspannung mit der Spannung auf der Datenplakette übereinstimmt. Tauschen Sie das Ladegerät auf keinen Fall gegen einen Netzstecker aus.

### FUNKTIONEN

Dieses Elektrowerkzeug ist mit folgenden Eigenschaften ausgestattet.

1. Elektrowerkzeug
2. Verstellbares Schloss
3. Bedienknopf mit variablen Geschwindigkeitsstufen
4. Akku
5. Gabelachse

#### Abb. A

6. Ladegerät
7. Ladeeingang
8. Ladeanzeige

#### Abb. D

10. Führungsstifte

### MONTAGE

#### Montage und Demontage des Akkus (Abb. B)

- Für die Montage: Legen Sie den Akku in die Fassung des Werkzeuges. Lassen sie den Akku in die Fassung gleiten und schieben Sie die Batterie an ihren Platz.)
- Für die Demontage: Drücken Sie den Knopf auf dem

Akku und ziehen Sie diesen aus der Fassung um ihn zu entfernen.

### GEBRAUCH

**ACHTUNG!** Benutzen Sie das Werkzeug nur für den vorgesehenen Gebrauch. Eine Zweckentfremdung kann Personenschäden und Unfälle verursachen.

#### Laden der Batterie (Abb. A)

Der Akku muss vor erstmaliger Benutzung und immer dann aufgeladen werden, wenn das Gerät nicht mehr die volle Leistung bringt. Während des Ladevorgangs kann der Akku warm werden. Das ist normal.

**ACHTUNG!** Der Akku darf während des Ladevorgangs nicht im Gerät platziert sein. Sorgen Sie dafür, dass der Akku vor dem Ladevorgang aus dem Gerät entfernt wurde.

**ACHTUNG!** Laden Sie den Akku nicht, wenn die Umgebungstemperatur unter 4 °C oder über 40 °C liegt. Empfohlene Ladetemperatur: etwa 24 °C.

**Hinweis: Ein Akku, bei dem die Temperatur der Batteriezellen unter ca. 0 °C oder über 40 °C liegt, wird vom Ladegerät nicht geladen.**

**Lassen Sie in diesem Fall den Akku im Ladegerät. Das Ladegerät beginnt automatisch mit dem Ladevorgang, sobald sich die Zellen erwärmt bzw. abgekühlt haben.**

- Um den Akku (4) zu laden, verbinden Sie den Stecker (6) des Ladegerätes mit der Ladebuchse (7) des Akkus. Stellen Sie sicher, dass der Stecker durch ein Klickgeräusch einrastet.
- Schließen Sie das Ladegerät an und schalten Sie die Stromzufuhr ein. Die Ladeanzeige (8) leuchtet während des Ladevorgangs hell rot.

Der Ladevorgang ist abgeschlossen, sobald die Ladeanzeige (8) durchgehend grün leuchtet. Der Akku kann mit leuchtender Lichtdiode im Ladegerät verbleiben. Die LED fängt abermals an hell rot zu leuchten (Ladevorgang), da das Ladegerät den Akku von allein nachlädt. Die Ladeanzeige (8) leuchtet solange der Akku an das Ladegerät angeschlossen ist und dieses mit der Steckdose verbunden ist.

- Leere Akkus sollten innerhalb einer Woche wieder aufgeladen werden. Die Lebensdauer eines Akkus wird stark herabgesetzt, wenn dieser ungeladen aufbewahrt wird.

#### Anpassung an die Gurtbreite (Abb. D)

**Montage des Gurtes (Abb. C)**

Das Werkzeug ist mit Führungsstiften (10) und einem justierbaren Schloss (2) versehen, wodurch ein gleichmäßiges Aufrollen des Zurrgurtes (9) sichergestellt werden kann. Um den Zurrgurt richtig zu positionieren, befolgen Sie die folgenden Schritte:

- Achten Sie darauf, dass das justierbare Schloss (2) geöffnet ist.
- (Passen Sie das justierbare Schloss (2) der Breite des Zurrgurtes (9) an.
- Führen Sie den Gurt (9) durch die Führungsstifte (10) und die Gabelachse (5).
- Schließen Sie das justierbare Schloss (2).

**Aufrollen**

Das Werkzeug bewegt sich nur im Uhrzeigersinn (von oben betrachtet).

- Um das Werkzeug in Betrieb zu nehmen, drücken Sie den Knopf (3). Die Aufrollgeschwindigkeit richtet sich danach, wie tief der Knopf gedrückt wird.
- Um das Werkzeug auszustellen, lassen Sie den Knopf los.
- Lassen Sie sofort den Knopf los, sobald der Gurt fertig aufgerollt ist.

**Entfernen des aufgerollten Gurtes (Abb. E & Abb. F)**

Folgen Sie den folgenden Anweisungen, um den aufgerollten Gurt korrekt zu entfernen:

- Öffnen Sie das justierbare Schloss (2).
- Entfernen Sie den Gurt (9) aus den Führungsstiften (10).
- Halten Sie das Elektrowerkzeug (1) waagrecht in der rechten Hand. Greifen Sie mit der linken Hand (11) nach dem Gurt (9) und drücken Sie den Gurt gegen Ihren Bauch um den aufgerollten Gurt in Position zu halten (siehe Abb. E).
- Ziehen Sie nun mit einer waagerechten Bewegung das Elektrowerkzeug (1) vom Gurt (9) ab, bis das Werkzeug vom Gurt befreit ist (siehe Abb. F).

**Bitte beachten: Bei diesem zuvor beschriebenen Verfahren wird davon ausgegangen, dass der Nutzer des Werkzeuges rechtshändig ist. Für linkshändige Nutzer bitte entsprechend seitenverkehrt anpassen.**

**WARTUNG**

Ihr Dynello Gerät wurde im Hinblick auf eine lange Le

bensdauer und einen möglichst geringen Wartungsaufwand entwickelt. Ein dauerhafter, einwandfreier Betrieb setzt eine regelmäßige Reinigung voraus.

Ihr Ladegerät bedarf keinerlei Wartung außer einer regelmäßigen Reinigung.

**ACHTUNG!** Bevor Sie irgendwelche Wartungsarbeiten vornehmen, entfernen Sie den Akku vom Ladegerät. Ziehen Sie den Netzstecker des Ladegerätes aus der Steckdose, bevor Sie es reinigen.

- Reinigen Sie regelmäßig das Motorgehäuse mit Hilfe eines feuchten Tuches. Verwenden Sie keine scheuernenden Reinigungsmittel oder Reinigungsmittel auf Lösungsmittelbasis.



**UMWELTSCHUTZ**

Getrennte Entsorgung. Dieses Produkt darf nicht über den normalen Hausmüll entsorgt werden.

Wenn ihr Dynello-Produkt eines Tages ausgedient hat der Sie dieses nicht mehr gebrauchen, darf es nicht über den normalen Müll entsorgt werden. Das Produkt muss separat entsorgt werden.



Durch eine separate Entsorgung ist es möglich, die verschiedenen Stoffe zu Recyceln. Die Wiederverwertung von Stoffen beugt der Umweltverschmutzung vor und reduziert den Verbrauch von Rohstoffen.

Die örtlichen Vorschriften können unterschiedliche Entsorgungsmethoden verlangen. So kann das Produkt entweder an Wertstoffhöfen oder bei einem Händler, der diese Produkte vertreibt, abgegeben werden.

Dynello sorgt dafür, dass gebrauchte Dynellowerkzeuge eingesammelt und wiederverwertet werden. Wenn Sie von diesem Service Gebrauch machen wollen, senden Sie bitte Ihr nicht mehr benötigtes Dynellowerkzeug zurück an



einen autorisierten Händler.

**AKKUS**



Entladen Sie den Akku vollständig und entfernen Sie den Akku anschließend aus dem Elektrowerkzeug.

Li-Ion-Akkus sind wiederverwertbar. Bringen Sie diese zu

## Technische Daten

		RS0101
Spannung	$V_{DC}$	12
Leerlaufdrehzahl	$Min^{-1}$	0-300

		RS0101-018
Eingangsspannung	$V_{AC}$	230
Ausgangsspannung	$V_{DC}$	12
Stromstärke	mA	1300
Umgefähre	t	2 - 3

		RS0101-010
Spannung	$V_{DC}$	12
Kapazität	Ah	1.3
Typ		Li-Ion

Schalldruckpegel gemäß EN 62841-1	
Schalldruck ( $L_{pA}$ )	69.2 dB(A), Unsicherheitsfaktor (K) 3 dB(A)
Schallleistung ( $L_{WA}$ )	80.2 dB(A), Unsicherheitsfaktor (K) 3 dB(A)

Vibration total values (triax vector sum) according to EN 62841-1	
Aufrollen des Gurtes ( $a_{h,M}$ )	$<2.5 \text{ m/s}^2$ , Unsicherheitsfaktor (K) 1,5 $\text{m/s}^2$
Aufrollen des Gurtes ( $a_{h,U}$ )	$<2.5 \text{ m/s}^2$ , Unsicherheitsfaktor (K) 1,5 $\text{m/s}^2$

## ENTWICKLUNG

Dynello arbeitet fortlaufend an der Entwicklung der Elektrowerkzeuge und dem dazugehörigen Zubehör. Aus diesem Grund behalten wir uns das Recht vor, Änderungen an der Form, Technik und Ausstattung der Produkte vorzunehmen.

Es können somit keine Ansprüche auf Angaben und Illustrationen aus dieser Betriebsanleitung erhoben werden.

EG-  
KONFORMITÄTSERKLÄRUNG  
MASCHINENRICHTLINIE



RS0101

Dynello erklärt, dass diese unter "Technische Daten" beschriebenen Geräte übereinstimmen mit: 2006/42/EF, EN 62841-1

Diese Produkte entsprechen außerdem den Richtlinien 2004/108/EF und 2011/65/EU. Weitere Informationen finden Sie auf unserer Homepage unter: [www.dynello.com](http://www.dynello.com)

Der Unterzeichnende ist verantwortlich für die Zusammenstellung der technischen Daten und gibt diese Erklärung im Namen von Dynello ab.

Emil Schröder Jakobsen  
Technischer Direktor  
Dynello ApS, Inge Lehmanns Gade 10, 6. Etage  
8000 Aarhus  
Dänemark  
10.05.2016

## GARANTIE

Dynello vertraut auf die Qualität der eigenen Geräte und bietet dem Käufer eine außergewöhnliche Garantie. Diese Garantiezusage versteht sich unbeschadet der gesetzlichen Gewährleistungsansprüche und schränkt diese keinesfalls ein. Sie gilt in sämtlichen Mitgliedsstaaten der Europäischen Union und der Europäischen Freihandelszone EFTA.

Tritt innerhalb von 24 Monaten ab Kaufdatum an einem Gerät von Dynello ein auf Material- oder Verarbeitungsfehler zurückzuführender Mangel auf, garantiert Dynello den Austausch defekter Teile, die Reparatur von Geräten mit üblichem Verschleiß bzw. den Austausch eines mangelhaften Geräts, ohne den Kunden dabei mehr als unbedingt nötig in Anspruch zu nehmen, allerdings vorbehaltlich folgender Ausnahmen:

- wenn das Gerät missbräuchlich verwendet oder mit mangelnder Sorgfalt behandelt wurde;
- wenn das Gerät durch irgendwelche Fremdeinwirkung beschädigt wurde;
- wenn ein unbefugter Reparaturversuch durch anderes Personal als das einer Vertragswerkstatt oder des Dynello-Kundendienstes unternommen wurde.

Um die Garantie geltend zu machen, geben Sie das Produkt bitte samt Quittung beim Händler oder einer der Vertragswerkstätten ab. Einen Händler in Ihrer Nähe finden Sie auf unserer Homepage unter [www.dynello.com](http://www.dynello.com)

Weitere Informationen über Dynello und unser Produktsortiment finden Sie unter [www.dynello.com](http://www.dynello.com)

## DANKE

Vielen Dank, dass Sie sich für ein Qualitätsprodukt von Dynello entschieden haben. Dieses Produkt wurde nach modernen Produktionsmethoden und unter umfassender Qualitätssicherung hergestellt. Wir möchten alles dafür tun, dass Sie mit dem Werkzeug zufrieden sind und es ohne Probleme einsetzen können. Sollten Sie Fragen zum Produkt haben, wenden Sie sich gerne an Ihren Händler oder Dynello.

Mit freundlichen Grüßen

Emil Schröder Jakobsen & Jens Kjærulff

## ANVENDELSESOMRÅDE

Det Dynello-produkt er designet til oprulningsapplikationer af lastestroppe, efter design specifikationer i EN 12195-2, samt andre oprulningsapplikationer specificeret af Dynello.

## SIKKERHEDSANVISNINGER

### Generelle sikkerhedsadvarsler vedrørende elværktøj



**ADVARSEL!** Læs alle sikkerhedsadvarsler og instruktioner. Hvis nedenstående instruktioner og advarsler ikke følges, er der risiko for elektrisk stød, brand og/eller alvorlige personskader.

**Gem alle advarsler og anvisninger til senere brug.** Begrebet "elværktøj", der benyttes i nedenstående advarsler, henviser til nedrevet elværktøj (med netledning) eller batteridrevet elværktøj (uden netledning).

#### 1) SIKKERHED I ARBEJDSOMRÅDET

- a) **Hold arbejdsområdet rent og oplyst.** Uordentlige og mørke områder øger faren for uheld.
- b) **Brug ikke elværktøj i eksplosive omgivelser, f.eks. Hvor der er brændbare væsker, gasser eller støv.** Elværktøj kan forårsage gnister, der kan antænde støv eller dampe.
- c) **Hold børn og andre personer på afstand, når et elværktøj er i brug.** Du kan miste kontrollen over værktøjet, hvis du distraheres.

#### 2) ELEKTRICITET OG SIKKERHED

- a) **Elværktøjsstikket skal passe til stikkontakten. Stikket må under ingen omstændigheder ændres. Brug ikke adapterstik sammen med jordforbundet elværktøj.** Uændrede stik, der passer til stikkontakterne, nedsætter risikoen for elektrisk stød.
- b) **Undgå kropskontakt med jordforbundne overflader som f.eks. rør, radiatorer, komfurer og køleskabe.** Hvis din krop er jordforbundet, øges risikoen for elektrisk stød.
- c) **Elværktøj må ikke udsættes for regn eller fugt.** Indtrængen af vand i elværktøj øger risikoen for elektrisk stød.
- d) **Ødelæg ikke ledningen. Bær, træk eller afbryd ikke elværktøjet vha. ledningen. Beskyt ledningen mod varme, olie, skarpe kanter eller maskindele, der er i bevægelse.** Beskadigede eller sammenfiltrerede ledninger øger risikoen for elektrisk stød.
- e) **Hvis elværktøj benyttes i det fri, skal der benyttes en forlængerledning, som er godkendt til udendørs brug.** Brug af en forlængerledning til udendørs brug nedsætter risikoen for elektrisk stød.

f) **Brug en strømkilde med fejlstrømsbeskyttelse, hvis det er uundgåeligt at anvende elværktøj på fugtige**

**steder.** Med en fejlstrømsbeskyttelse reduceres risikoen for elektriske stød.

#### 3. PERSONLIG SIKKERHED

- a) **Vær opmærksom, hold øje med, hvad du laver, og brug elværktøjet fornuftigt. Brug ikke et elværktøj, hvis du er træt eller påvirket af stoffer, medicin eller alkohol.** Få sekunders uopmærksomhed ved brug af elværktøjet kan føre til alvorlige personskader.
- b) **Brug personlige værnemidler. Brug altid beskyttelsesbriller.** Brug af værnemidler som f.eks. Støvmaske, skridsikkert fodtøj, beskyttelseshjelm eller høreværn nedsætter risikoen for personskader, hvis udstyret anvendes korrekt.
- c) **Sørg for, at værktøjet ikke kan starte utilsigtet. Kontroller, at afbryderkontakten står på slukket, inden værktøjet tilsluttes strømkilden og/eller batteriet, samles op eller bæres.** Bæres elværktøj, mens fingeren er på kontakten, eller tilsluttes det, mens kontakten står på tændt, kan der nemt ske en ulykke.
- d) **Fjern indstillingsværktøj eller skruenøgle, inden elværktøjet tændes.** Et værktøj eller en nøgle, der efterlades i en roterende del i værktøjet, kan resultere i personskader.
- e) **Stræk dig ikke for langt. Sørg for, at du altid har sikkert fodfæste og balance.** Det gør det nemmere at kontrollere elværktøjet, hvis der skulle opstå uventede situationer.
- f) **Brug egnet arbejdstøj.** Undgå løse beklædningsgenstande eller smykker. Hold hår, tøj og handsker væk fra dele, der bevæger sig. Bevægelige dele kan gribe fat i løstsiddende tøj, smykker eller langt hår.
- g) **Hvis støvudsugnings- og opsamlingsudstyr kan monteres, er det vigtigt, at dette tilsluttes og benyttes korrekt.** Brug af udstyr til opsamling af støv kan nedsætte risikoen for støvrelateret personskade.

#### 4. BRUG OG VEDLIGEHOLDELSE AF ELVÆRKTØJ

- a) **Undgå at overbelaste elværktøjet. Brug altid det rette elværktøj til opgaven.** Med det rigtige elværktøj udføres arbejdet lettere og sikrere og i det tempo, som værktøjet er beregnet til.
- b) **Brug ikke elværktøjet, hvis afbryderen er defekt.** Elværktøj, der ikke kan reguleres med afbryderen, er farligt og skal repareres.
- c) **Træk stikket ud af stikkontakten og/eller batteriet inden indstilling, tilbehørsudskiftning eller opbevaring af elværktøjet.** Disse sikkerhedsforanstaltninger reducerer risikoen for utilsigtet start af værktøjet.
- d) **Opbevar ubenyttet elværktøj uden for børns rækkevidde. Lad aldrig personer, der ikke er fortrolige med elværktøj, eller som ikke har gennemlæst disse**



instruktioner, benytte maskinen. Elværktøj er farligt, hvis det benyttes af ukyndige personer.

**e) Elværktøj bør vedligeholdes omhyggeligt. Kontroler, om bevægelige dele er skæve og ikke sidder fast og om delene er brækket eller beskadiget, så elværktøjets funktion påvirkes. Få beskadigede dele repareret, inden elværktøjet tages i brug.** Mange uheld skyldes dårligt vedligeholdt værktøj.

**f) Sørg for, at skæreværktøjer er skarpe og rene.** Ordentligt vedligeholdt skæreværktøj med skarpe skærekanter sætter sig ikke så hurtigt fast og er nemmere at styre.

**g) Brug elværktøjet, tilbehøret, indsatsværktøj osv. i overensstemmelse med disse instruktioner under hensyntagen til arbejdsforholdene og arbejdet, der skal udføres med værktøjet.** I tilfælde af anvendelser af elværktøjet til formål, som ligger uden for det fastsatte anvendelsesområde, kan der opstå farlige situationer.

## **5. BRUG OG VEDLIGEHOLDELSE AF BATTERIDREVET VÆRKTØJ**

**a) Genoplad kun med den lader, som producenten har angivet.** En lader, der er velegnet til én type batteripakke, kan udgøre en brandfare, hvis den bruges til en anden batteripakke.

**b) Brug kun elværktøj sammen med batteripakker, der er specifikt beregnet hertil.** Brug af andre batteripakker kan medføre personskade og brand.

**c) Når batteripakken ikke er i brug, skal den holdes på afstand af andre metalgenstande, f.eks. papirclips, mønter, nøgler, søm, skruer og andre små metalgenstande, som kan skabe forbindelse mellem de to poler.** Kortslutning af batteriet kan forårsage forbrændinger eller brand.

**d) I visse situationer kan batteriet lække. Undgå kontakt. Skyl med vand i tilfælde af kontakt. Søg læge, hvis væsken kommer i kontakt med øjnene.** Væske, der lækker fra batteriet, kan forårsage irritation eller forbrændinger.

**e) Brug ikke et batteri eller elværktøj, der er beskadiget eller ændret.** Beskadigede eller modificerede batterier kan udvise uforudsigelige adfærd som resulterer i brand, eksplosion eller risiko for personskader.

**f) Udsæt ikke batteripakken eller elværktøj for brand eller overdreven temperatur.** Udsættelse for brand eller temperatur over 130°C kan forårsage eksplosion.

**g) Følg alle opladningsinstruktioner og oplad ikke batteriet eller elværktøj uden for temperaturområdet anført i instruktionen.** Forkert opladning eller opladning ved temperaturer uden for det angivne område kan beskadige batteriet og øge risikoen for brand.

## **6. SERVICE**

**a) Få altid elværktøjet repareret af kvalificerede fagfolk med udelukkende identiske reservedele.** Dermed op

retholdes elværktøjets sikkerhed.

**b) Reparer aldrig beskadigede batterier.** Reparation af batteripakker bør kun udføres af producenten eller autoriserede serviceudbydere.



## **Yderligere sikkerhedsadvarsler for elværktøj**

**ADVARSEL!** Yderligere sikkerhedsadvarsler for oprulningselværktøj.

- Sørg altid for at lastestroppen ligger samlet, således lastestroppens krog ikke kan gribe fat i omkringliggende objekter. Det kan medføre farlige situationer og risiko for personskade, hvis lastestroppen ikke ligger samlet før oprulning.
- Bevæg dig ikke imens elværktøjet anvendes. Det kan medføre personskade, hvis kontrollen over elværktøjet mistes.
- Ved oprulning, vær da opmærksom på krogen på lastestroppen og nedsæt oprulningshastigheden når krogen nærmer sig elværktøjet. Det kan medføre risiko for personskade, hvis opmærksomheden på krogen mistes.
- Rør ikke ved de roterende dele på elværktøjet, imens det anvendes, da det kan medføre risiko for personskade.
- Hold ikke kontakten nede ved endt oprulning. Det kan medføre overbelastning af elværktøjet og risiko for skade på elværktøj og/eller personskade.
- Elværktøjets påtænkte anvendelse fremgår af brugervejledningen. Brugen af ekstraudstyr eller tilbehør eller udførelse af opgaver med elværktøjet ud over de i brugervejledningen anbefalede, kan medføre risiko for personskade og/eller materiel skade.

## **Andres sikkerhed**

- Dette apparat må ikke bruges af personer (herunder børn) med nedsatte fysiske, sensoriske eller mentale evner eller manglende erfaring og viden, medmindre det sker under overvågning, eller der gives instruktion i brugen af apparatet af en person, der er ansvarlig for deres sikkerhed.

## Restrisici

Der kan opstå yderligere restrisici under brugen af værktøjet, som ikke kan medtages i vedlagte sikkerhedsadvarsler. Disse risici kan opstå pga. forkert anvendelse, langvarig brug osv. Selv ved overholdelse af relevante sikkerhedsforskrifter og anvendelse af sikkerhedsudstyret kan visse restrisici ikke undgås. Disse omfatter:

- Tilskadekomst forårsaget af berøring af roterende/bevægelige dele.
- Tilskadekomst forårsaget af udskiftning af dele, blade eller tilbehør.
- Tilskadekomst forårsaget langvarig brug af et værktøj. Husk at holde pause jævnligt ved brug af et værktøj i længere tid.
- Skader forårsaget af eksterne dele eller apparatur ved betjening af værktøjet. Ved brug af værktøjet vær opmærksom på eksterne roterende/bevægelige dele for at undgå skader.

## Vibration

**ADVARSEL!** Værdien for udsendelse af vibration ved faktisk brug af elværktøjet kan afvige fra den angivne værdi afhængig af måden, elværktøjet anvendes på. Vibrationsniveauet kan overstige det angivne niveau.

I vurderingen af eksponeringen for vibration med henblik på fastsættelse af sikkerhedsforanstaltninger som krævet i 2002/44/EC til beskyttelse af personer, der jævnligt anvender elværktøj i deres arbejde, skal der tages hensyn til de faktiske betingelser under brugen, og måden elværktøjet bruges på, herunder alle arbejds cyklussens elementer, f.eks. perioder, hvor værktøjet er slukket og kører i tomgang tillige med startperioderne.

## Mærkatere på værktøjet



Følgende symboler er bragt på elværktøjet:

**ADVARSEL!** For at reducere risikoen for skader, skal brugeren skal læse brugervejledningen.



**ADVARSEL!** For at reducere risikoen for skader, skal beskyttelsesbriller bæres på alle tidspunkter, når værktøjet betjenes.

## Yderligere sikkerhedsvejledninger for batterier og opladere

### BATTERIER

- Forsøg aldrig at åbne uanset årsag.
- Batteriet må ikke udsættes for fugt.
- Opbevar ikke på steder, hvor temperaturen kan overstige 40°C.
- Oplad kun ved omgivelsestemperaturer på mellem 10°C - 40°C.
- Oplad kun ved hjælp af medfølgende oplader.



- Ved bortskaffelse af batterier følg vejledningen i afsnittet "Miljø".

**ADVARSEL!** Udsæt ikke batteriet for ild.

Brænd ikke batteriet. Batterier kan eksplodere og frigive giftige materialer og gasser der skader mennesker såvel som miljøet.



et.

**ADVARSEL!** For at reducere risikoen for skader, skal brugeren skal læse brugervejledningen.

### OPLADERE

- Brug kun din Dynello-oplader til at oplade batteriet i det elværktøj, som den blev leveret sammen med. Andre batterier kan eksplodere og forårsage personskade og materielle skader.
- Prøv aldrig på at oplade ikke-opladelige batterier.



- Udskift straks defekte ledninger.
- Opladeren må ikke udsættes for fugt.
- Opladeren må ikke åbnes.



- Undersøg ikke opladeren.

**ADVARSEL!** Opladeren er kun beregnet til indendørs brug.

**ADVARSEL!** Læs brugervejledningen, før elværktøjet tages i brug.



### ELEKTRICITET OG SIKKERHED

- Hvis netledningen beskadiges, skal den

typeskiltet. Forsøg aldrig at erstatte oplader enheden med et almindeligt netstik.

## FUNKTIONER

Dette elværktøj leveres med følgende egenskaber.

1. Elværktøjet
2. Justérbar lås
3. Kontakt til variabel hastighed
4. Batteri
5. Gaffel aksel

### Fig. A

6. Oplader
7. Opladerport i batteri
8. Opladningsindikator

### Fig. D

10. Føringspinde

## SAMLING

### Montering og afmontering af batteriet (Fig. B)

- Anbring batteriet (4) ud for elværktøjets fatning, når batteriet skal monteres. Lad batteriet glide ind i fatningen, og skub, indtil batteriet går på plads.
- Tryk på udløserknappen på batteriet, og træk samtidigt batteriet ud af fatningen for at tage batteriet ud.

## ANVENDELSE

**ADVARSEL!** Brug ikke værktøjet til andet end det tiltænkte formål. Andet brug kan medføre personskaade og ulykker.

### Opladning af batteriet (Fig. A)

Batteriet skal oplades inden ibrugtagningen, og når det ikke leverer strøm nok til opgaver, der tidligere kunne udføres ubesværet. Batteriet kan blive varmt under opladningen. Det er normalt og ikke tegn på problemer.

**ADVARSEL!** Batteriet må ikke oplades, mens indsat i værktøjet. Sørg for, at batteriet er fjernet fra elværktøjet, før opladningen påbegyndes.

**ADVARSEL!** Batteriet må ikke oplades i omgivelsestemperaturer under 10°C eller over 40°C. Anbefalet opladningstemperatur: ca. 24°C.

**Bemærk:** Opladeren oplader ikke et batteri, hvis dets temperatur er under ca. 0°C eller over 40°C. Batteriet bør blive siddende i opladeren, som automatisk be-

gynder opladningen, når batteriets temperatur stiger eller falder.

- For at oplade batteriet (4), indsæt opladerstikket (6) i opladerporten på batteriet (7). Vær sikker på, at stikket klikker på plads.
- Tilslut opladeren, og tænd på stikkontakten. Opladningsindikatoren (8) vil ved opladning vedvarende lyse rød.

Opladningen er afsluttet, når opladningsindikatoren (8) lyser konstant grøn. Du kan lade batteriet sidde i opladeren med tændt lysdiode. LED'en begynder at lyse rød (opladning), når opladeren en gang imellem "efterfylder" batteriet. Opladningsindikatoren (8) lyser, så længe batteriet er tilsluttet til opladeren, der er sat i stikkontakten.

- Afladede batterier bør oplades inden for 1 uge. Batteriets levetid reduceres kraftigt, hvis batteriet opbevares i afladet tilstand.

### Justér for strop bredde (Fig. D)

Værktøjet er forsynet med en justérbar lås (2), som giver mulighed for let tilpasning til forskellige bredder af stropper.

- Sørg for, at den justérbare lås (2) er ulåst.
- Justér bredden ved at glide den justérbare lås (2) på føringsspindene (10).

### Montering af strop (Fig. C)

Værktøjet er forsynet med føringspinde (10) og en justérbare lås (2), som kan sikre en jævn oprulning af stroppen (9). For at montere stroppen (9) følg disse trin:

- Sørg for, at den justérbare lås (2) er ulåst.
- Justér den justérbare lås (2) til bredden af stroppen (9)
- Tag fat i stroppen (9) og før det gennem føringsspindene (10) og gaffel akslen (5).
- Lås den justérbare lås (2).

### Oprulning

Dette værktøj kan kun rotere med uret, set oppefra.

- For at tænde elværktøjet, skal du trykke på kontakten (3). Værktøjets oprulningshastighed afhænger af, hvor langt du trykker kontakten ned.
- For at slukke elværktøjet, slip kontakten.
- Når stroppen er oprullet til enden, slip straks kontakten.

- Fjern stroppen (9) fra føringspindene (10)
- Hold elværktøjet (1) vandret med højre hånd, tag fat i stroppen (9) med din venstre hånd (11), og tryk stroppen ind i din mave for at få et stærkt hold i stroppen (som ses på fig. E).
- Træk nu elværktøjet (1) fra stroppen (9) i en vandret bevægelse, indtil værktøjet er fri af stroppen (som det ses på fig. F).

**Bemærk: Med denne tilgang antages operatøren højrehåndet. For venstrehåndede operatører er det den anden vej rundt.**

## VEDLIGEHOLDELSE

Dit Dynello-elværktøj er beregnet til brug gennem lang tid med et minimum af vedligeholdelse. Forsat tilfredsstillende drift afhænger af korrekt behandling af elværktøjet samt regelmæssig rengøring.

Opladeren kræver ingen vedligeholdelse, men skal rengøres jævnligt.

**ADVARSEL!** Tag batteriet ud af elværktøjet, inden der foretages vedligeholdelse på elværktøjet. Træk opladeren ud af stikkontakten, før den rengøres.

- Rens regelmæssigt motorhuset med en fugtig klud. Der må ikke bruges skuremidler eller opløsningsmidler.

## MILJØ



Separat bortskaffelse. Dette produkt må ikke bortskaffes sammen med almindeligt husholdningsaffald.

Når dit Dynello-produkt en dag er udtjent, eller du ikke længere har brug for det, må du ikke smide det ud sammen med det almindelige affald. Produktet skal bortskaffes separat.



Ved separat bortskaffelse af brugte produkter og emballage bliver der mulighed for at genanvende forskellige materialer. Genanvendelse af materialer medvirker til at forebygge miljøforurening og mindsker behovet for råstoffer.

Lokal lovgivning kan kræve separat indsamling af elektriske husholdningsapparater på kommunale affaldsdepoter eller af den detailhandlende ved køb af et nyt produkt.

Dynello sørger for at indsamle og genanvende Dynello-

produkter, når disse ikke længere kan bruges. Hvis du vil

benytte dig af denne service, skal du returnere produktet til en autoriseret forhandler, der indsamler produkterne for os.



## BATTERIER



Li-ion

Aflad batteriet helt, og tag det derefter ud af elværktøjet.

Li-Ion-batterier kan genbruges. Tag dem til et autoriseret serviceværksted eller en lokal gen-

RS0101		
Spænding	$V_{DC}$	12
Hastighed uden belastning	$\text{Min}^{-1}$	0-300

Oplader RS0101-018		
Indgangsspænding	$V_{AC}$	230
Udgangsspænding	$V_{DC}$	12
Strømstyrke	mA	1300
Opladningstid ca.	t	2 - 3

Batteri RS0101-010		
Spænding	$V_{DC}$	12
Kapacitet	Ah	1,3
Type		Li-Ion

Lydtrykniveau i henhold til EN 62841-1	
Lydtryk ( $L_{pA}$ )	69,2 dB(A), usikkerhed (K) 3 dB(A)
Lydeffekt ( $L_{WA}$ )	80,2 dB(A), usikkerhed (K) 3 dB(A)

Samlede værdier for vibration (triaksial vektorsum) i henhold til EN 62841-1	
Oprulning med strop ( $a_{h,M}$ )	<2,5 $\text{m/s}^2$ , usikkerhed (K) 1,5 $\text{m/s}^2$
Oprulning uden strop ( $a_{h,U}$ )	<2,5 $\text{m/s}^2$ , usikkerhed (K) 1,5 $\text{m/s}^2$

brugsstation.

## Tekniske data

### TEKNISK UDVIKLING

Dynello arbejder løbende på at udvikle alle elværktøjer og

EF-

## OVERENSSTEMMELSESERKLÆRING

MASKINDIREKTIV



RS0101

Dynello erklærer, at produkterne beskrevet under "Tekniske data" er i overensstemmelse med: 2006/42/EF, EN 62841-1

For mere information besøg venligst vores hjemmeside: [www.dynello.com](http://www.dynello.com)

Undertegnede er ansvarlig for udarbejdelsen af de tekniske data og fremsætter denne erklæring på vegne af Dynello.

Emil Schrøder Jakobsen  
Teknisk Direktør

Dynello ApS, Inge Lehmanns Gade 10, 6. sal  
8000 Aarhus  
Danmark  
10.05.2016

- Produktet er beskadiget af fremmedlegemer, substanser eller pga. uheld;
- Garantien gælder ikke, hvis reparationer er udført af andre end et autoriseret Dynello-værksted.

For at gøre krav på garantien skal produktet og købskvitteringen indleveres til forhandleren eller til et autoriseret værksted. Du kan finde nærmeste forhandler eller autoriseret værksted på vores hjemmeside [www.dynello.com](http://www.dynello.com)

Der findes yderligere oplysninger om mærket Dynello og vores produktsortiment på adressen [www.dynello.com](http://www.dynello.com)

### TAK

Tak fordi du har valgt et Dynello-kvalitetsprodukt. Dette produkt er fremstillet efter moderne produktionsmetoder og med omfattende kvalitetssikring. Vi vil gøre alt for at sikre, at du bliver tilfreds med redskabet og kan anvende det uden problemer. Hvis du har spørgsmål vedrørende produktet, bedes du kontakte din forhandler eller Dynello.

Venlig hilsen  
Emil Schrøder Jakobsen & Jens Kjærulff

### GARANTI

Dynello garanterer, at produktet er fri for skader og fejl og tilbyder en fremragende garanti. Garantien er et tillæg til forbrugers lovsikrede rettigheder og påvirker ikke disse. Garantien gælder inden for medlemsstaterne af den Europæiske Union og i det Europæiske Frihandelsområde.

Hvis et Dynello-produkt går i stykker på grund af materiel skade og/eller fabriktionsfejl eller på anden måde ikke fungerer i overensstemmelse med specifikationen inden for 24 måneder fra købsdatoen, påtager Dynello sig at reparere eller ombytte produktet med mindst mulig ulempe for kunden. Garantien gælder ikke for fejl og mangler, der er sket i forbindelse med:

- Produktet har været anvendt forkert eller ikke er vedligeholdt;

## ANVÄNDINGSOMRÅDE

Din Dynello-produkt är designad för upprullning av lyfts-trappar enligt konstruktionsspecifikationerna EN 12195-2, samt enligt andra upprullningsapplikationer av Dynello.

## SÄKERHETSREGLER

### Allmänna säkerhetsvarningar för motor-drivna verktyg



**WARNING! Läs alla säkerhetsvarningar och alla anvisningar.** Fel som uppstår till följd av att varningarna och anvisningarna nedan inte följts kan orsaka elchock, brand och/eller allvarliga kroppsskador.

**Spara alla varningar och anvisningar för framtida referens.** Nedan använt begrepp verktyg hänför sig till nätdrivna elverktyg (med nätsladd) och till batteridrivna elverktyg (sladdlösa).

#### 1. SÄKERHET FÖR ARBETSOMRÅDET

- a. Håll arbetsplatsen ren och väl belyst.** Oordning på arbetsplatsen och dåligt belyst arbetsområde kan leda till olyckor.
- b. Använd inte verktyget i explosionsfarlig omgivning med brännbara vätskor, gaser eller damm.** Verktyget kan skapa gnistor som kan antända av dammet eller gaserna.
- c. Håll barn och obehöriga personer på betryggande avstånd när verktyget används.** Om du störs av obehöriga personer kan du förlora kontrollen över verktyget.

#### 2. ELSÄKERHET

- a. Verktygets stickkontakt måste passa i vägguttaget. Ändra aldrig stickkontakten på något sätt. Använd inte adapter ihop med skyddsjordade elverktyg.** Oförändrade stickkontakter och passande vägguttag minskar risken för elchock.
- b. Undvik kroppskontakt med jordade ytor som t.ex. rör, värmeelement, spisar och kylskåp.** Det finns en större risk för elchock om din kropp är jordad.
- c. Skydda verktyget mot regn och väta.** Tränger vatten in i verktyget ökar risken för elchock.
- d. Skada inte sladden. Använd inte sladden för att bära eller hänga upp elverktyget. Dra inte stickproppen ur vägguttaget. Håll nätsladden på avstånd från värme, olja, skarpa kanter och rörliga maskindelar.** Skadade eller tilltrasslade sladdar ökar risken för elchock.
- e. Använd endast förlängningssladdar som är godkända för utomhusbruk när du arbetar med ett elverk-**

**tyg utomhus.** Om en förlängningssladd avsedd för utomhusbruk används minskar risken för elchock.

**f. Om man måste använda verktyget på en fuktig plats bör man använda ett uttag som skyddats med en restströmsanordning (RCD).** Vid användning av en restströmsanordning (RCD) minskar risken för elektriska stötar.

#### 3. PERSONLIG SÄKERHET

- a. Var uppmärksam, se dig för och använd verktyget med förnuft. Använd inte verktyget när du är trött eller om du är påverkad av droger, alkohol eller mediciner.** Under användning av verktyget kan ett ögonblicks bristande ouppmärksamhet leda till allvarliga kroppsskador.
- b. Använd personlig skyddsutrustning. Bär alltid skyddsglasögon.** Skyddsutrustning som t.ex. dammfil-termask, halkfria skyddsskor, hjälm eller hörselskydd, som bör användas under de gällande omständigheterna minskar risken för kroppsskada.
- c. Undvik att verktyget startas av misstag. Kontrollera att strömställaren står i läget "från" innan du ansluter till vägguttaget och/eller batteripaketet, lyfter upp eller bär verktyget.** Det kan vara mycket farligt att bära verktyget med fingret på strömbrytaren eller koppla det till vägguttaget med strömbrytaren på.
- d. Ta bort alla inställningsverktyg och skruvnycklar innan du startar verktyget.** Ett verktyg eller en nyckel i en roterande komponent kan medföra kroppsskada.
- e. Sträck dig inte för långt. Se till att du alltid har säkert fotfäste och balans.** På så sätt kan du lättare kontrollera verktyget i oväntade situationer.
- f. Bär lämplig klädsel. Bär inte löst hängande kläder eller smycken. Håll hår, kläder och handskar undan från rörliga delar.** Löst hängande kläder, smycken och långt hår kan dras in av roterande delar.
- g. Om verktyget är utrustat med dammsugnings- och -uppsamlingsutrustning, kontrollera att dessa anordningar är rätt monterade och att dem används på korrekt sätt.** Dammuppsamling minskar riskerna för dammrelaterade olyckor.

#### 4. BRUK OCH SKÖTSEL AV ELVERKTYG

- a. Överbelasta inte verktyget. Använd rätt verktyg för det aktuella arbetet.** Med ett lämpligt verktyg kan du arbeta bättre och säkrare inom angivet område.
- b. Ett verktyg med defekt strömbrytare får inte användas.** Ett verktyg som inte kan kopplas till eller från är farligt och måste repareras.
- c. Dra ut stickkontakten ur vägguttaget och/eller batteripaketet ur det motordrivna verktyget innan inställningar utförs, tillbehörsdelar byts ut eller det motordrivna verktyget ställs undan.** Denna skyddsåtgärd

e. Sköt elverktyget omsorgsfullt. Kontrollera att rörliga komponenter fungerar felfritt och inte kärvar, att komponenter inte brustit eller skadats och inget annat föreligger som kan påverka verktygets funktioner. Låt skadade delar repareras innan verktyget används på nytt. Många olyckor orsakas av dåligt skötta verktyg.

f. Håll skärverktygen skarpa och rena. Omsorgsfullt skötta skärverktyg med skarpa eggar fastnar inte så lätt och går lättare att styra.

g. Använd det motordrivna verktyget, tillbehör och insatsverktyg etc. enligt dessa anvisningar. Ta hänsyn till arbetsvillkoren och arbetsmomenten. Används verktyget på icke ändamålsenligt sätt kan farliga situationer uppstå.

## 5. BRUK OCH SKÖTSEL AV ELVERKTYG

a. Ladda batterierna endast i laddare som är rekommenderade av tillverkaren. Om en laddare som är avsedd för en viss typ av batterier används för andra batterityper finns risk för brand.

b. Använd endast batterier som är avsedda för aktuellt verktyg. Används andra batterier finns risk för personskada och brand.

c. Håll gem, mynt, nycklar, spikar, skruvar och andra metallföremål på avstånd från reservbatterier för att undvika att kontakterna kortsluts. Kortslutning av batteriets kontakter kan leda till brännskador eller brand.

d. Om batteriet används på felaktigt sätt finns det risk för att vätska rinner ur batteriet. Undvik kontakt med vätskan. Vid oavsiktlig kontakt spola med vatten. Om vätska kommer i kontakt med ögonen uppsök läkare. Batterivätskan kan medföra hudirritation eller brännskada.

e) Använd inte ett batteri eller verktyg som är skadat eller har modifierats. Skadade eller modifierade batterier kan uppvisa oförutsägbara beteende som resulterar i en brand, explosion eller risk för personskada.

f) Utsätt inte batteriet eller elverktyget för brand eller hög temperatur. Exponering för högdag eller temperatur över 130°C kan orsaka en explosion.

g) Följ alla uppladdningsinstruktioner och ladda inte batteriet eller det motordrivna verktyget utanför det temperaturområde som anges i instruktionerna. Felaktig laddning eller laddning vid temperaturer utanför det angivna intervallet kan skada batteriet och ökar risken för brand.

## 6. SERVICE

a. Låt endast elverktyget repareras av kvalificerad personal och med originalreservdelar. Detta garanterar att verktygets säkerhet bibehålls.

b) Reparera aldrig ett skadat batteri. Reparation av batteripaketet får endast utföras av tillverkaren eller auktoriserade serviceverkstäder.



## Extra säkerhetsvarningar för motordrivna verktyg

**WARNING!** Ytterligare säkerhetsvarningar för upprullningsverktyg.

- Se alltid till att laststroppen är hopsamlad så att laststroppen inte kan få grepp om omgivande föremål. Om laststroppen inte är hopsamlad före upprullning kan detta leda till farliga situationer och risk för personskador.
- Flytta dig inte när verktyget används. Om kontrollen över verktyget går förlorad kan det orsaka personskador.
- Vid upprullning, observera kroken på laststroppen och minska upprullningshastigheten när kroken närmar sig verktyget. Det utgör en risk för personskador om uppmärksamheten på kroken förloras.
- Rör inte de roterande delarna på verktyget medan det används, detta kan leda till farliga situationer och risk för personskador
- Håll inte knappen nere vid avslutad upprullning. Det kan leda till överbelastning av elverktyget och riskera skador på verktyget och/eller personskada.
- Verktygets avsedda bruk beskrivs i denna bruksanvisning. Användande med andra tillbehör, eller användande av verktyget utanför det avsedda bruk, som inte rekommenderas för detta verktyg i denna bruksanvisning, kan innebära risk för personskada och/eller skada på egendom.

## Andres säkerhet

- Verktyget ska inte användas av personer (inklusive barn) med nedsatt fysisk eller nedsatt mental förmåga, eller brist på erfarenhet och kunskap om inte användning sker under uppsyn, eller undervisning av verktygets användning av en person som ansvarar för deras säkerhet har genomgått.
- Barn ska övervakas för att säkerställa att de inte leker med verktyget.
- Var medveten om din omgivning och använd aldrig verktyget om det finns risk för att det kan leda till farliga situationer.

## Ytterligare risker

Det kan uppstå ytterligare risker vid användning av verktyget, som inte kan ingå i de bifogade säkerhetsvarningarna. Dessa risker kan uppstå på grund av missbruk, långvarig användning av verktyget, med mera. Även i enlighet med relevanta säkerhetsföreskrifter och användning av säkerhetsanordningar, kan vissa kvarstående risker inte undvikas. Dessa inkluderar:

- Skada till följd av kontakt med roterande / rörliga delar.
- Skada till följd av utbyte av delar, blad eller tillbehör.
- Skada till följd av långvarig användning av ett verktyg. Kom ihåg att pausa regelbundet om verktyget används i en länge period.
- Skada till följd av externa delar eller anordningar under användning av verktyget. Vid användning av verktyget vara medveten om extern roterande/rörliga delar för att undvika skador.

## Vibration

De angivna vibrationsemissionsvärdena i tekniska data / försäkran om överensstämmelse har uppmätts enligt en standardtestmetod som tillhandahålls av EN 62841-1 och kan användas för att jämföra olika verktyg med varandra. De angivna vibrationsemissionsvärdena kan även användas för en preliminär beräkning av exponering.

**WARNING!** Vibrationsemissionsvärdet under faktisk användning av elverktyget kan skilja sig från det angivna värdet beroende på hur verktyget används. Vibrationsnivån kan överstiga den angivna nivån.

Vid beräkning av vibrationsexponering för att bestämma säkerhetsåtgärder enligt 2002/44/EC för att skydda personer som regelbundet använder elverktyg i arbetet, bör en beräkning av vibrationsexponeringen ta med i beräkningen av de faktiska användningsförhållandena och sättet verktyget används. Härmed ska man också ta med i beräkningen alla delar av användningscykeln, förutom själva "avtryckartiden" även t.ex. när verktyget är avstängt och när det går på tomgång.



## Märken på verktyget

Följande symboler finns på verktyget:



**WARNING!** För att minska risken för skador måste användaren läsa igenom bruksanvisningen.

**WARNING!** För att minska risken för skador ska säkerhetsglasögon alltid bäras när verktyget används.

## Tillkommande säkerhetsanvisningar för batterier och laddare

### BATTERIER

- Försök aldrig öppna batteriet.
- Låt inte batteriet komma i kontakt med vatten.
- Förvara inte laddaren i utrymmen där temperaturen kan överstiga 40 °C.
- Ladda endast batteriet inom temperaturområdet 10 °C till 40 °C.
- Ladda endast batteriet med laddaren som medföljer. Oplad kun ved hjælp af medfølgende oplader.
- När batterierna kasseras skall instruktionerna i kapitlet "Miljöskydd" följas.



**WARNING!** Utsätt inte batteriet för eld. Bränn inte batteriet. Batteriet kan explodera och frigöra farliga material och gaser som kan skada människor och miljö.



**WARNING!** För att minska risken för skador skal användaren läsa bruksanvisningarna.

### LADDARE

- Använd endast Dynello-laddaren för att ladda batteriet som medföljer verktyget. Andra typer av batterier kan explodera och förorsaka person- och materialskadorna.
- Försök aldrig ladda icke-uppladdningsbara batterier.
- Byt genast ut skadade sladdar.
- Bät inte laddaren komma i kontakt med vatten.



- Öppna inte laddaren.
- Gör ingen åverkan på laddaren.



**WARNING!** Laddaren är endast avsedd för inomhusbruk.

**WARNING!** Läs bruksanvisningen före bruk.

### ELSÄKERHET

- Om nätledaren är skadad måste den bytas ut av tillverkaren eller ett godkänt Dynello-serviceverkstad för att undvika en risksituation.



Laddaren är dubbelisolerad; jordledare är således överflödiga. Kontrollera alltid att nätspänningen överensstämmer med typskylten. Försök aldrig att ersätta



## FUNKTIONER

Detta elverktyg har följande egenskaper.

1. Elverktyg
2. Justerbart lås
3. Knapp för justerbar hastighet
5. Gaffelaxel

### Fig. A

6. Laddare
7. Uppladdningsport till batteriet
8. Uppladdningsindikator

### Fig. D

10. föringspinne

## MONTERING

### Montering och uttag av batteriet (Fig. B)

- När batteriet ska monteras, tag batteriet (4) ut ur elverktygets socket. Låt batteriet glida in i socketen och tryck in batteriet på sin plats.
- För att ta ut batteriet, tryck på den utlösande knappen på batteriet, och dra samtidigt ut batteriet ur socketen.

## ANVÄNDNING

**WARNING!** Använd endast detta verktyg till sitt tilltänkta ändamål. Användning av detta verktyg utanför dess påtänka användningsområde kan orsaka olyckor och personskador.

### Ladda batteriet (fig. A)

Batteriet måste laddas innan första användning, samt när verktyget inte kan hantera situationer som det tidigare kunnat utföra utan ansträngning. Batteritemperaturen stiger under uppladdning. Detta är helt normalt och är inte ett tecken på att något är fel.

**WARNING!** Ladda inte batteriet medan det sitter i verktyget. Se till att batteriet är urtaget ur verktyget när batteriets uppladdning startar.

**WARNING!** Ladda inte batteriet om lufttemperaturen är lägre än 4 °C eller högre än 40 °C. Rekommenderad laddningstemperatur: cirka 24 °C.

**Obs! Laddaren laddar inte batteriet om temperaturen är lägre än ungefär 0 °C eller högre än 40 °C. Batteriet får då sitta kvar i laddaren, som kommer att börja laddningen automatiskt när temperaturen har stigit eller sjunkit.**

- För att ladda batteriet (4), sätt i stickkontakten (6) i uppladdningsporten på batteriet (7). Kontrollera att kontakten klickas in på plats.

- Tillkoppla kontakten till ett vägguttag. Uppladdningsindikatorn (8) lyser rött när verktyget laddar.

Uppladdningen är färdig, när uppladdningsindikatorn (8) lyser grönt. Du kan låta batteriet sitta kvar i uppladdaren när lysdioden är tänd. Uppladdningsindikatorn lyser då och då rött (uppladdning), då batteriet kan "efterfyllas". Uppladdningsindikatorn (8) lyser, så länge batteriet är tillkopplat laddaren och laddaren har strömtillförsel.

- Urladdade batterier bör laddas inom en vecka. Batteriets livstid reduceras kraftigt om batteriet förvaras i ett inte uppladdat tillstånd.

### Justera stropbrädd (Fig. D)

Verktyget är försett med ett justerbart lås(2), detta gör det lätt att tillpassa verktyget till stroppar med olika bredd.

- Se till att det justerbara låset (2) är olåst.
- Justera bredden genom att låta det justerbara låset (2) glida på föringspinnen (10).

### Montering av stropp (Fig. C)

Verktyget har en föringspinne (10) och ett justerbart lås (2), som skapar en jämn upprullning a stroppen (9). För att montera stroppen (9) följ dessa steg:

- Se till att det justerbara låset (2) är olåst.
- Justera det justerbara låset (2) så att en passar till stroppens bredd (9).
- Ta tag i stroppen (9) och för den genom föringspinnen (10) och gaffelaxlen (5).
- Lås det justerbara låset (2).

### Upprullning

Detta verktyg kan endast rotera medurs (sett uppifrån).

- För att starta verktyget, ska du trycka på knappen (3). Verktygets upprullningshastighet beror på hur hårt du trycker ner knappen
- För att stänga av verktyget, släpp kontakten.
- När stroppen är upprullad, släpp kontakten direkt.

### Ta av stroppen (Fig. E & Fig. F)

För att ta av stroppen på rätt sätt, följ dessa steg:

- Lås upp det justerbara låset (2)
- Ta bort stroppen (9) från föringspinnen (10)
- Håll verktyget (1) horisontellt med höger hand och ta tag i stroppen (9) med vänster hand (11), tryck stroppen in mot magen för att få ett bra grepp om stroppen (se fig. E).

**Obs:** Ovan instruktioner är anpassade för högerhänta operatörer. För vänsterhänta operatörer, flöj instruktionerna med motsatt hand.

## SKÖTSEL

Ditt Dynello verktyg har tillverkats för att fungera under lång tid med minimerat behov av underhåll. Med rätt underhåll och regelbunden rengöring behåller verktyget sina prestanda.

Laddaren behöver inget underhåll förutom regelbunden rengöring.

**WARNING!** Tag bort batteriet innan underhåll utförs på verktyget. Tag ur stickkontakten före rengöring.

- Rengör kåpan regelbundet med en fuktig trasa. Använd aldrig rengöringsmedel med lösnings- eller slipmedel i.



## MILJÖSKYDD

Särskild insamling. Denna produkt får inte kastas bland vanliga hushållssopor.

När din Dynello-produkt en dag inte kan användas mer, eller när du inte längre behöver den, ska verktyget inte slängas ibland vanliga hushållssopor utan ska återvinnas separat.



Genom separat återvinning av använda produkter och förpackningar blir det möjligt att återanvända de olika materialen i verktyget. Återvinning av materialen hjälper till att förhindra miljöförstöring och minskar behovet av råvaror.

Lokal lagstiftning kan kräva separat insamling av hushållsapparater vid kommunala återvinningsanläggningar eller hos återförsäljaren vid köp av en ny produkt.

Dynello erbjuder att samla in och återvinna Dynello produkter när de inte längre används. För att använda denna service, vänligen returnera produkten till en auktoriserad återförsäljare, som samlar in produkterna för oss.



## BATTERIER

Ladda ur batteriet helt och ta sedan bort det från verktyget.



Li-ion-batterierna är återvinningsbara. Ta dem till en auktoriserat servicecenter eller till din lokala återvinningsstation.

RS0101		
Spänning	$V_{DC}$	12
Tomgångshastighet	$Min^{-1}$	0-300

RS0101-018		
Spänning	$V_{AC}$	230
Utspänning	$V_{DC}$	12
Strömstyrka	mA	1300
Laddningstid, cirka	t	2 - 3

RS0101-010		
Spänning	$V_{DC}$	12
Kapacitet	Ah	1,3
Typ		Li-Ion

Ljudnivå enligt EN 62841-1	
Ljudnivå ( $L_{pA}$ )	69,2 dB(A), osäkerhet (K) 3 dB(A)
Ljudeffekt ( $L_{WA}$ )	80,2 dB(A), osäkerhet (K) 3 dB(A)

Totala vibrationsvärden (vektorsumman av tre axlar) enligt EN 62841-1	
Upprullning med stropp ( $a_{h,M}$ )	$<2.5 \text{ m/s}^2$ , osäkerhet (K) 1,5 $\text{m/s}^2$
Upprullning utan stropp ( $a_{h,U}$ )	$<2.5 \text{ m/s}^2$ , osäkerhet (K) 1,5 $\text{m/s}^2$

## Tekniska data

### TEKNISK UTVECKLING

Dynello arbetar kontinuerligt med att utveckla alla elverktyg och tillhörande delar; Vi förbehåller oss därför rätten att göra ändringar i form, teknik och tillhörande delar.

Därför kan det inte härledas krav på information och illustrationer från bruksanvisningen.

## DEKLARATION OM ÖVERENSSTÄM- MELSE MASKINDIREKTIV



RS0101

Dynello garanterar att produkterna som beskrivs under "Tekniska data" uppfyller: 2006/42/EF, EN 62841-1

Dessa produkter överensstämmer även med direktiven 2004/108/EF och 2011/65/EU. För mera information, besök vår hemsida: [www.dynello.com](http://www.dynello.com)

Undertecknad är ansvarig för sammanställningen av tekniska data och gör denna försäkran för Dynello.

Emil Schröder Jakobsen  
Teknisk Direktör  
Dynello ApS, Inge Lehmanns Gade 10, 6. sal  
8000 Aarhus  
Danmark  
10.05.2016

- Garantin gäller inte om reparation har utförts av någon annan än ett auktoriserat Dynello-verkstad

För att göra anspråk på garantin ska produkten och inköpskvittot lämnas till din återförsäljare eller till en auktoriserad verkstad. Du kan hitta närmaste återförsäljare eller auktoriserade verkstad på vår hemsida [www.dynello.com](http://www.dynello.com)

Mer information om varumärket Dynello och våra produkter hittar du på vår hemsida [www.dynello.com](http://www.dynello.com)

## TACK

Tack för att du valde en Dynello-kvalitetsprodukt. Denna produkt är tillverkad med moderna produktionsmetoder och med en omfattande kvalitetssäkring. Vi vill göra allt för att du ska vara nöjd med verktyget och kan använda den utan problem. Om du har frågor om produkten kan du alltid kontakta din återförsäljare eller Dynello.

Med vänlig hälsning  
Emil Schroder Jakobsen & Jens Kjærulff

## GARANTI

Dynello garanterar att produkten är fri från material-och/eller fabriktionsfel vid leverans till kunden. Garantin är ett tillägg till konsumentens lagliga rättigheter och påverkar inte dessa. Garantin gäller inom medlemsstaterna i Europeiska Unionen och i det Europeiska Frihandelsområdet.

Om en Dynello produkt går sönder inom 24 månader från köpet, på grund av material-och/eller fabriktionsfel eller brister i överensstämmelse med specifikationen, åtar sig Dynello att reparera eller byta ut produkten med minsta besvär för kunden.

Garantin gäller inte för fel som beror på:

- Felaktig användning eller skötsel
- att produkten skadats av främmande föremål, ämnen eller genom en olyckshändelse

## BRUKSOMRÅDER

Dette Dynello-produktet er designet til opprullingsapplikasjoner av lastestopper, designet etter spesifikasjonene i EN 12195-2, samt andre opprullingsapplikasjoner spesifisert av Dynello.

## SIKKERHETSINSTRUKSJONER

### Generelle sikkerhetsadvarsler for elektroverktøy



**Advarsel! Les alle sikkerhetsadvarsler og alle instruksjoner.** Hvis advarsler og instruksjoner ikke følges, kan det medføre elektrisk støt, brann og/eller alvorlige skader.

**Ta vare på alle advarsler og instruksjoner for fremtidige oppslag.** Uttrykket «elektroverktøy» i alle advarslene nedenfor gjelder for strømdrevne elektroverktøy (med ledning) og batteridrevne elektroverktøy (uten ledning).

#### 1. SIKKERHET I ARBEIDSMRÅDET

- Hold arbeidsområdet rent og godt opplyst.** Rotete arbeidsområder med dårlig belysning kan føre til ulykker.
- Ikke arbeid med elektroverktøy i eksplosjonsfarlige omgivelser hvor det finnes brennbare væsker, gass eller støv.** Elektroverktøy forårsaker gnister som kan antenne støv eller røyk.
- Hold barn og andre personer unna når elektroverktøyet brukes.** Hvis du blir forstyrret under arbeidet, kan du miste kontrollen.

#### 2. ELEKTRISK SIKKERHET

- Støpselet til elektroverktøyet må passe inn i stikkkontakten. Støpselet må ikke forandres på noen som helst måte. Ikke bruk adapterstøpsler sammen med jordete elektroverktøy.** Bruk av originale støpsler og passende stikkontakter reduserer risikoen for elektrisk støt.
- Unngå kroppskontakt med jordete overflater som rør, radiatorer, komfyrer og kjøleskap.** Det er større fare for elektrisk støt hvis kroppen din er jordet.
- Utsett ikke elektroverktøy for regn eller fuktighet.** Dersom det kommer vann i et elektroverktøy, øker risikoen for elektrisk støt.
- Unngå uforvarlig behandling av ledningen. Elektroverktøyet må aldri bæres eller trekkes etter ledningen, og trekk heller ikke ut støpselet ved å rykke i ledningen. Hold ledningen unna varme, olje, skarpe kanter eller bevegelige deler.** Med skadde eller sammenflokete ledninger øker risikoen for elektrisk støt.

- Når du arbeider utendørs med et elektroverktøy, må du kun bruke en skjøteledning som er godkjent til**

**utendørs bruk.** Ved å bruke en skjøteledning som er egnet for utendørs bruk, reduseres risikoen for elektrisk støt.

- Hvis du må bruke et elektrisk verktøy på et fuktig sted, må du bruke en forsyning som er beskyttet med en reststrømsanordning (RCD).** Bruk av en RCD reduserer risikoen for støt.

#### 3. PERSONSIKKERHET

- Vær oppmerksom, pass på hva du gjør og vis fornuft når du arbeider med et elektroverktøy. Ikke bruk elektroverktøy når du er trett eller er påvirket av narkotika, alkohol eller medikamenter.** Et øyeblikks uoppmerksomhet under bruk av verktøyet kan føre til alvorlige personskader.
- Bruk personlig verneutstyr. Bruk alltid vernebriller.** Verneutstyr som støvmaske, sko med gode såler, hjelm og hørselsvern bør brukes for å redusere risikoen for personskade.
- Unngå utilsiktet oppstart. Påse at bryteren er i avstilling før du koplek til strøm og/eller batteripakke, plukker opp eller bærer verktøyet.** Hvis du bærer et elektrisk verktøy med fingeren på bryteren, eller hvis du setter strøm på et verktøy som har bryteren slått på, inviterer du til ulykker.
- Fjern innstillingsverktøy eller skrunøkler før du slår på elektroverktøyet.** Et verktøy eller en nøkkel som befinner seg i en roterende del kan føre til personskade.
- Ikke strekk deg for langt. Pass på at du alltid har sikkert fotfeste og god balanse.** Da kan du kontrollere elektroverktøyet bedre i uventede situasjoner.
- Bruk alltid egnede klær. Ikke bruk løstsittende klær eller smykker.** Hold hår, klær og hanser unna bevegelige deler. Løstsittende klær, smykker eller langt hår kan komme inn i bevegelige deler.
- Hvis det kan monteres støvavsug- og oppsamlingsinnretninger, må du forvise deg om at disse er tilkoblet og brukes på riktig måte.** Bruk av støvavsug reduserer faren i forbindelse med støv.

#### 4. AKTSOM HÅNTERING OG BRUK AV ELEKTROVERKTØY

- Ikke bruk makt på elektroverktøyet. Bruk et elektroverktøy som er beregnet på den type arbeid du vil utføre.** Med et passende elektroverktøy arbeider du bedre og sikrer i det angitte effektområdet.
- Ikke bruk elektroverktøyet hvis det ikke lar seg slå på og av med bryteren.** Et elektroverktøy som ikke kan kontrolleres med bryteren er farlig og må repareres.

d. Fjern innstillingsverktøy eller skrunøkler før du slår på elektroverktøyet. Et verktøy eller en nøkkel som befinner seg i en roterende del kan føre til personskade.

e. Ikke strekk deg for langt. Pass på at du alltid har sikkert fotfeste og god balanse. Da kan du kontrollere elektroverktøyet bedre i uventede situasjoner.

f. Bruk alltid egnede klær. Ikke bruk løstsittende klær eller smykker. Hold hår, klær og hansker unna bevegelige deler. Løstsittende klær, smykker eller langt hår kan komme inn i bevegelige deler.

g. Hvis det kan monteres støvavsug- og oppsamlingsinnretninger, må du forvise deg om at disse er tilkoblet og brukes på riktig måte. Bruk av støvavsug reduserer faren for forbindelse med støv.

#### 4. AKTSOM HÅNTERING OG BRUK AV ELEKTROVERKTØY

a. Ikke bruk makt på elektroverktøyet. Bruk et elektroverktøy som er beregnet på den type arbeid du vil utføre. Med et passende elektroverktøy arbeider du bedre og sikrere i det angitte effektområdet.

b. Ikke bruk elektroverktøyet hvis det ikke lar seg slå på og av med bryteren. Et elektroverktøy som ikke kan kontrolleres med bryteren er farlig og må repareres.

c. Trekk støpselet ut av stikkontakten og/eller kople fra batteripakken før du utfører innstillinger på et elektrisk verktøy, skifter tilbehør eller legger verktøyet bort.

Disse tiltakene reduserer risikoen for en utilsiktet start av elektroverktøyet.

d. Elektroverktøy som ikke er i bruk må oppbevares utilgjengelig for barn. Ikke la verktøyet brukes av personer som ikke er fortrolig med det eller som ikke har lest disse bruksanvisningene. Elektroverktøy er farlige når de brukes av uerfarne personer.

e. Vær nøye med vedlikehold av elektroverktøy. Kontroller om bevegelige deler fungerer feilfritt og ikke klemmes fast, om deler er brukket eller skadet og andre forhold som kan innvirke på elektroverktøyet funksjon. Hvis elektroverktøyet er skadet, må det repareres før bruk. Dårlig vedlikeholdte elektroverktøy er årsaken til mange uhell.

f. Hold skjæreverktøy skarpe og rene. Godt vedlikeholdte skjæreverktøy med skarpe egger setter seg ikke så ofte fast og er lettere å føre.

g. Bruk elektroverktøy, tilbehør, bor osv. i henhold til disse instruksjonene. Ta hensyn til arbeidsforholdene og arbeidet som skal utføres. Bruk av elektroverktøy til andre formål enn det som er angitt, kan føre til farlige situasjoner.

#### 5. AKTSOM HÅNTERING OG BRUK AV OPPLADBARE ELEKTROVERKTØY

a. Lad batteriet kun opp i laderen som er anbefalt av produsenten. Det oppstår brannfare hvis en lader som

er egnet til en bestemt type batterier, brukes med andre batterier.

b. Bruk kun riktig type batterier for elektroverktøyene. Bruk av andre batterier kan medføre skader og brannfare.

c. Hold batterier som ikke er i bruk, unna binders, mynter, nøkler, spikre, skruer eller andre mindre metallgjenstander som kan lage en forbindelse mellom kontaktene. En kortslutning mellom batterikontaktene kan føre til forbrenninger eller brann.

d. Ved feilaktig bruk kan det lekke væske ut av batteriet. Unngå kontakt med denne væsken. Ved tilfeldig kontakt må det skylles med vann. Hvis det kommer væske i øynene, må du i tillegg oppsøke lege. Batterivæske som renner ut, kan føre til hudirritasjoner eller forbrenninger.

e. Ikke bruk et batteri eller elektroverktøy som er skadet eller endret. Skadede eller endrede batterier kan utvise uforutsigbar oppførsel som resulterer i brann, eksplosjon eller risiko for personskader.

f. Ikke utsett batteripakken eller elektroverktøyet for brann eller overdreven temperatur. Utsettelse for brann eller temperatur over 130 °C kan forårsake eksplosjon.

g. Følg alle lade instruksjoner og ikke lad opp batteriet eller elektroverktøyet utenfor temperaturområdet som er angitt i lade instruksjonene. Feil ladning eller ladning ved temperaturer utenfor det angitte området kan skade batteriet eller øke risikoen for brann.

#### 6. SERVICE

a. Elektroverktøyet ditt skal alltid repareres av kvalifisert personell og kun med originale reservedeler. Dette sikrer at elektroverktøyet sikkerhet opprettholdes.

b. Aldri reparer skadede batterier. Reparasjon av batteripakker bør kun utføres av produsenten eller autoriserte serviceteknikere.



### Ekstra sikkerhetsadvarsler for elektroverktøy

Advarsel! Ekstra sikkerhetsadvarsler for opprullingsverktøy.

- Sørg alltid for at lastestroppen ligger samlet, så kroken på lastestroppen ikke kan gripe tak i omkringliggende gjenstander. Det kan medføre farlige situasjoner og

- Vær oppmerksom på hvor kroken på lastestroppen er under opprulling, og senk farten på verktøyet når kroken nærmer seg elektroverktøyet. Det kan medføre risiko for personskade, hvis man ikke er oppmerksom på kroken.
- Ikke rør de roterende delene på elektroverktøyet under bruk, da det medfører risiko for personskade.
- Ikke hold knappen inne ved avsluttet opprulling. Det kan medføre overbelastning av elektroverktøyet og risiko for skade på elektroverktøyet og/eller personskade.
- Denne instruksjonshåndboken forklarer beregnet bruksmåte. Bruk bare tilbehør og utstyr som anbefales i bruksanvisningen. Bruk av annet verktøy eller tilbehør kan medføre risiko for skade på person og/eller utstyr.

## Andres sikkerhet

- Dette apparatet skal ikke brukes av personer (inkludert barn) med nedsatte fysiske evner, mentale evner eller sanseevner eller mangel på erfaring og kunnskap, med mindre det skjer under oppsyn eller etter instruksjoner fra en som har ansvar for vedkommende sin sikkerhet.
- Barn skal holdes under oppsyn, så det er sikkert at de ikke leker med elektroverktøyet.
- Vær oppmerksom på omgivelsene dine og bruk aldri elektroverktøyet dersom det er risiko for at det kan oppstå farlige situasjoner.

## Andre risikoer

Det kan oppstå ytterligere risikoer ved anvendning av verktøyet, som ikke kan inngå i de bifagade sikkerhetsvarningarna. Dessa risikoer kan oppstå på grunn av missbruk, langvarig anvendning av verktøyet, med mera. Även i enlighet med relevanta säkerhetsföreskrifter och användning av säkerhetsanordningar, kan vissa kvarstående risikoer inte undvikas. Dessa inkluderar:

- Personskader som förårsakes av beröring av en roterande/bevegelig del.
- Personskader som förårsakes av att en del, et blad eller tilbehør endres.
- Personskader som förårsakes av langvarig bruk av et verktøy. Når du bruker et verktøy i lange perioder, må du sørge for å ta regelmessige pauser.
- Skader som er forårsaket av eksterne deler eller utstyr ved bruk av verktøyet. Vær oppmerksom på eksterne roterende/bevegelige deler under bruk av verktøyet for å

unngå skader.

## Vibrasjon

**ADVARSEL!** Vibrasjonsnivået ved faktisk bruk av elektroverktøyet kan variere fra erklært verdi, avhengig av måten verktøyet brukes på. Vibrasjonsnivået kan øke over det oppgitte nivået.

Når du vurderer eksponering til vibrasjon for å bestemme sikkerhetstiltak som anbefalt i 2002/44/EC for å beskytte personer som jevnlig bruker elektroverktøy, bør en estimering av eksponeringen ta hensyn til de faktiske bruksforholdene og måten verktøyet brukes på. Dette inkluderer alle deler av brukssyklusen som f.eks. tidsperioder da verktøyet er slått av og når det går uten belastning, i tillegg til faktisk arbeidstid.



### Etiketter på verktøyet

Følgende symboler befinner seg på verktøyet:



**ADVARSEL!** Bruker må lese bruksanvisningen for å redusere faren for skader.

**ADVARSEL!** For å redusere risikoen for skader, skal beskyttelsesbriller brukes på alle tidspunkter under betjening av verktøyet.

## Ekstra sikkerhetsforskrifter for batterier og ladere

### BATTERIER

- Gjør aldri under noen omstendigheter forsøk på å åpne apparatet.
- Batteriet må ikke komme i kontakt med vann.
- Apparatet må ikke oppbevares på steder hvor temperaturen kan overstige 40 °C.
- Må bare lades i lufttemperaturer mellom 10 °C og 40 °C



- Må bare lades med laderen som følger med verktøyet.



- Når batteriene skal kastes, følg instruksene i avsnittet "Miljøvern".

**ADVARSEL!** Ikke utsett batteriet for ild. Ikke brenn batteriet. Batterier kan eksplodere og frigi giftige stoffer og gasser som skader mennesker og miljøet.

**ADVARSEL!** For å redusere risikoen for skader, skal brukeren lese bruksanvisningen.

- Bruk din Dynello lader kun sammen med det batteriet som blir levert med verktøyet. Andre typer batterier kan eksplodere og forårsake personskader og materielle skader.
- Forsøk aldri å lade ikke-oppladbare batterier.
- Bytt straks ut defekte ledninger.
- Laderen må ikke komme i kontakt med vann.
- Laderen må ikke åpnes.
- Ikke undersøk laderen på egenhånd.



**ADVARSEL!** Laderen er kun beregnet på i nnnedørs bruk.



**ADVARSEL!** Les instruksjonshåndboken før bruk.

## ELEKTRISITET OG SIKKERHET



Laderen er dobbeltisolert. Derfor er ikke jording nødvendig. Kontroller at nettspenningen er i overensstemmelse med spenningen på typeskiltet. Du må aldri forsøke å bytte laderen ut med et vanlig støpsel.

- Hvis strømledningen skades, må den skiftes ut av produsenten eller et autorisert Dynello serviceverksted for å unngå fare.

## FUNKSJONER

Dette elektroverktøyet leveres med følgende egenskaper.

1. Elektroverktøyet
2. Justerbar lås
3. Knapp til variabel hastighet
4. Batteri
5. Gaffel aksel

### Figur A

6. Lader
7. Ladeport på batteri
8. Ladeindikator

### Figur D

10. Føringspinner

## OPPSETT

### Montering og demontering av batteriet (Figur B)

- Hold batteriet (4) foran elektroverktøyets kontakt, når

batteriet skal monteres. La batteriet gli inn i kontakten og dytt inntil batteriet sitter på plass

- Trykk på utløserknappen på batteriet og trekk samtidig batteriet ut av kontakten for å ta batteriet ut.

## ANVENDELSE

**ADVARSEL!** Ikke bruk verktøyet til annet enn det tiltenkte formålet. Annen bruk kan medføre personskader og ulykker.

### Ladning av batteriet (figur A)

Batteriet må lades før første gang det brukes og hver gang det ikke lenger gir nok strøm til jobber som tidligere ble utført lett. Batteriet kan bli varmt under ladning. Dette er normalt og innebærer ikke feil.

**ADVARSEL!** Batteriet kan ikke lades mens det sitter i verktøyet. Sørg for at batteriet er fjernet fra elektroverktøyet før ladningen igangsettes.

**ADVARSEL!** Ikke lad batteriet hvis temperaturen i omgivelsene er under 10 °C eller over 40 °C. Anbefalt ladetemperatur: ca. 24 °C.

**Merknad:** Laderen vil ikke lade et batteri hvis celledemperaturen er under ca. 0 °C eller over 40 °C.

**Du bør la batteriet stå i laderen, og laderen begynner å lade automatisk når celledemperaturen blir høyere eller lavere.**

- For å lade batteriet (4), sett inn laderledningen (6) i ladeporten på batteriet (7). Vær sikker på at ledningen klikker på plass.

- Sett laderen i en stikkontakt.

Under ladning lyser ladeindikatoren (8) rødt.

Når ladeindikatoren (8) lyser kontinuerlig grønt er ladningen ferdig. Du kan la batteriet sitte i laderen med tent LED. LED'en begynner å lyse rødt (ladning), når laderen en gang i mellom "fyller på" batteriet. Ladeindikatoren (8) lyser så lenge batteriet er koblet til laderen som sitter i stikkkontakten.

- Flate batterier bør lades opp innenfor 1 uke. Batteriets levetid reduseres kraftig dersom batteriet oppbevares i flat tilstand.

### Justering til stropkens bredde (Figur D)

Verktøyet er utstyrt med en justerbar lås (2) som gir mulighet for å enkelt tilpasse til forskjellige bredder på stropper.

rengjøringsmidler.

## Montering av stropp (Figur C)

Verktøyet er utstyrt med en en føringspinne (10) og en justerbar lås (2) som kan sikre en jevn opprulling av stroppen (9). Følg disse trinn for å montere stroppen (9):

- Sørg for at den justerbare låsen (2) er ulåst.
- Juster den justerbare låsen (2) til bredden av stroppen (9).
- Ta tak i stroppen (9) og før den gjennom føringspinnene (10) og gaffel akselen (5).
- Lås den justerbare låsen (2).

## Opprulling

Denne verktøyet kan rotere med klokken, sett oven i fra.

- For å skru på verktøyet skal du trykke på knappen (3). Verktøyets opprullingshastighet avhenger av hvor langt inn du trykker knappen.
- For å skru av elektroverktøyet, slipp knappen.
- Når stroppen er rullet opp til enden, slipp knappen med engang.

## Fjerning av stropp (Figur E & Figur F)

For å fjerne stroppen korrekt følg disse trinn:

- Lås opp den justerbare låsen (2).
- Fjern stroppen (9) fra føringspinnene (10)
- Hold elektroverktøyet (1) vannrett med høyre hånd, ta tak i stroppen (9) med din venstre hånd (11) og trykk stroppen inn magen din for å få et godt trykk på stroppen (som vist på figur E).
- Trekk elektroverktøyet (1) fra stroppen (9) i en vannrett bevegelse inntil verktøyet er løsnet fra stroppen (som vist på figur F).

**Merknad: Med denne tilgangen antas det at operatøren høyrehendt. For venstrehendte operatører er instruksene motsatt.**

## VEDLIKEHOLD

Denne Dynello verktøyet har blitt utformet for å være i drift over en lang periode med et minimum av vedlikehold. Med riktig vedlikehold og regelmessig rengjøring beholder verktøyet ytelsen.

Laderen behøver ikke annet vedlikehold enn at den rengjøres med jevne mellomrom.

**ADVARSEL!** Før det utføres noen form for vedlikehold av verktøyet, må batteriet tas ut. Trekk ut kontakten når laderen skal gjøres ren.

- Rengjør kåpen regelmessig med en fuktig klut. Ikke bruk slipende eller løsemiddelbaserte

## MILJØVERN



Kildesortering. Dette produktet må ikke kastes i det vanlige husholdningsavfallet.

Hvis du finner ut at Dynello-produktet ditt må skiftes ut, eller hvis du ikke lenger har bruk for det, må du unnlate å kaste det sammen med det vanlige husholdningsavfallet. Sørg for at dette produktet gjøres tilgjengelig for kildesortering.



Kildesortering av brukte produkter og emballasje gjør det mulig å resirkulere materialer og bruke dem igjen. Gjenbruk av resirkulerte materialer bidrar til å forhindre forurensning av miljøet og reduserer behovet for råmaterialer.

Lokale regelverk kan legge tilrette for kildesortering av elektriske produkter fra husholdningen, ved kommunale deponier eller gjennom forhandleren når du kjøper et nytt produkt.

Dynello har tilrettelagt for innsamling og resirkulering av Dynello-produkter etter at de har utspilt sin rolle. Ønsker du å benytte deg av denne tjenesten, returnerer du produktet ditt til et autorisert serviceverksted, som tar det imot og formidler det videre.



**BATTERIER**



Li-ion

Kjør batteriet til det er helt flatt og ta det så ut av verktøyet.

Dynello-batterier kan lades mange ganger. Beskytt miljøet ved å levere kasserte batterier til kildesortering.



**Tekniske data**

RS0101		
Spenning	$V_{DC}$	12
Hastighet ubelastet	$\text{Min}^{-1}$	0-300

Lader RS0101-018		
Inngangsspenning	$V_{AC}$	230
Utgangsspenning	$V_{DC}$	12
Strøm	mA	1300
Omtrentlig ladetid	t	2 - 3

Batteri RS0101-010		
Spenning	$V_{DC}$	12
Kapasitet	Ah	1,3
Type		Li-Ion

Lydtrykknivå i henhold til EN 62841-1	
Lydtrykk ( $L_{pA}$ )	69.2 dB(A), usikkerhet (K) 3 dB(A)
Lydeffekt ( $L_{WA}$ )	80.2 dB(A), usikkerhet (K) 3 dB(A)

Samlede verdier for vibrasjon (triaksial vektorsum) i henhold til EN 62841-1	
Opprulling med stropp ( $a_{h,M}$ )	$<2.5 \text{ m/s}^2$ , usikkerhet (K) 1,5 $\text{m/s}^2$
Opprulling uten stropp ( $a_{h,U}$ )	$<2.5 \text{ m/s}^2$ , usikkerhet (K) 1,5 $\text{m/s}^2$

**TEKNISK UTVIKLING**

Dynello arbeider fortløpende med å utvikle alle elektroverktøyer og tilhørende utstyr. Vi kan derfor forbeholde oss retten til å foreta endringer i produkter, form, teknikk og utstyr.

Det kan derfor ikke utledes krav fra angivelser og illustrasjoner i denne bruksanvisningen.

EF-

## OVERENSSTEMMELSESERKLÆRING MASKINDIREKTIV



RS0101

Dynello erklærer at disse produktene som er beskrevet under "Tekniske data", er i samsvar med:  
2006/42/EF, EN 62841-1

Disse produktene er også i samsvar med direktiv 2004/108/EF og 2011/65/EU. Vennligst besøk hjemmesiden vår for ytterligere informasjon:  
[www.dynello.com](http://www.dynello.com)

Undertegnede er ansvarlig for utarbeidelsen av den tekniske dokumentasjonen og gir denne erklæringen på vegne av Dynello.

Emil Schrøder Jakobsen  
Teknisk Direktør  
Dynello ApS, Inge Lehmanns Gade 10, 6. sal  
8000 Aarhus  
Danmark  
10.05.2016

## GARANTI

Dynello garanterer at produktet ikke har materiale- og/eller fabrikkasjonsfeil ved levering til kunde. Garantien er i tillegg til kundens lovlige rettigheter og påvirker ikke disse. Garantien gjelder innen medlemsstatene i den Europeiske Unionen og i det Europeiske Frihandelsområdet.

Hvis et Dynello produkt går i stykker på grunn av materiale - og/eller fabrikkasjonsfeil eller har mangler i forhold til spesifikasjonene, innenfor 24 måneder fra kjøpet, påtar Dynello seg å reparere eller bytte ut produktet med minst mulig vanskelighet for kunden.

Garantien gjelder ikke for feil som kommer av:

emner eller ved et uhell;

- Garantien gjelder ikke om reparasjoner har blitt utført av noen andre enn et autorisert Dynello serviceverksted.

For å gjøre krav på garantien skal produktet og kjøpskvitteringen leveres inn til forhandleren eller til et autorisert serviceverksted. Du kan finne din nærmeste forhandler eller autoriserte serviceverksted på vår hjemmeside [www.dynello.com](http://www.dynello.com)

Det finnes ytterligere opplysningen om merket Dynello og vårt produktutvalg på nettdressen [www.dynello.com](http://www.dynello.com)

## TAKK

Takk for at du har valgt et kvalitetsprodukt fra Dynello. Dette produktet er produsert med moderne produksjonsmetoder og med omfattende kvalitetssikring. Vi vil gjøre alt for å sikre at du blir fornøyd med verktøyet og kan bruke det uten problemer. Dersom du har spørsmål vedrørende produktet bes du vennligst kontakte din forhandler eller Dynello.

Med vennlig hilsen  
Emil Schrøder Jakobsen & Jens Kjæruff

- feilaktig bruk eller vedlikehold (mislighold);
- at produktet har blitt skadet av fremmede gjenstander,

## UTILISATION PRÉVUE

Votre produit de DYNELLO est élaboré pour les processus de rembobinage de sangles d'arrimage selon les spécifications de design de EN 12195-2, et les autres applications de rembobinage spécifié par DYNELLO.

## INSTRUCTIONS DE SÉCURITÉ

### Consignes de sécurité générales pour les outils électriques



**Attention ! Prenez connaissance de tous les avertissements de sécurité et de toutes les instructions.** Le non-respect des avertissements et des instructions indiqués ci-dessous peut entraîner une électrocution, un incendie ou de graves blessures.

**Conservez tous les avertissements et instructions pour référence future.** La notion d'« outil électroportatif » mentionnée par la suite se rapporte à des outils électriques raccordés au secteur (avec câble de raccordement) ou fonctionnant sur piles (sans fil).

#### 1. SÉCURITÉ DE LA ZONE DE TRAVAIL

##### a. Maintenez la zone de travail propre et bien éclairée.

Un lieu de travail en désordre ou mal éclairé augmente le risque d'accidents.

##### b. N'utilisez pas les outils électroportatifs dans un environnement présentant des risques d'explosion ni en présence de liquides, gaz ou poussières inflammables.

Les outils électroportatifs génèrent des étincelles risquant d'enflammer les poussières ou les vapeurs.

##### c. Tenez les enfants et autres personnes éloignés durant l'utilisation de l'outil électroportatif.

En cas d'inattention, vous risquez de perdre le contrôle sur l'outil.

#### 2. SÉCURITÉ ÉLECTRIQUE

##### a. La fiche de secteur de l'outil électroportatif doit convenir à la prise de courant. Ne modifiez en aucun cas la fiche. N'utilisez pas de fiches d'adaptateur avec des outils ayant une prise de terre.

Les fiches non modifiées et les prises de courant appropriées réduisent le risque d'électrocution.

##### b. Évitez le contact physique avec des surfaces mises à la terre telles que tuyaux, radiateurs, fours et réfrigérateurs.

Il y a un risque élevé d'électrocution si votre corps est relié à la terre.

##### c. N'exposez pas l'outil électroportatif à la pluie ni à l'humidité.

La pénétration d'eau dans un outil

électroportatif augmente le risque d'électrocution.

##### d. Préservez le câble d'alimentation. N'utilisez pas le câble à d'autres fins que celles prévues, notamment

**pour porter l'outil, l'accrocher voire le débrancher de la prise de courant. Maintenez le câble éloigné des sources de chaleur, des parties grasses, des bords tranchants ou des parties de l'outil en rotation.** Un câble endommagé ou enchevêtré augmente le risque d'électrocution.

##### e. Si vous utilisez l'outil électroportatif à l'extérieur, utilisez une rallonge homologuée pour utilisation à l'air libre.

L'utilisation d'une rallonge électrique homologuée pour les applications extérieures réduit le risque d'électrocution.

##### f. Si l'usage d'un outil dans un emplacement humide est inévitable, utilisez une alimentation protégée par un dispositif à courant différentiel résiduel (RCD).

L'usage d'un RCD réduit le risque de choc électrique.

#### 3. SÉCURITÉ PERSONNELLE

##### a. Restez vigilant, surveillez ce que vous faites. Faites preuve de bon sens quand vous utilisez l'outil électroportatif.

**N'utilisez pas l'outil lorsque vous êtes fatigué ou après avoir consommé de l'alcool, des drogues voire des médicaments.** Un moment d'inattention lors de l'utilisation de l'outil peut entraîner de graves blessures.

##### b. Utilisez un équipement de protection personnelle.

**Portez toujours une protection pour les yeux.** Les équipements de protection personnelle tels que les masques anti-poussières, chaussures de sécurité antidérapantes, casques ou protections acoustiques utilisés dans des conditions appropriées réduisent les blessures.

##### c. Évitez toute mise en marche involontaire. Vérifiez que l'interrupteur est en position arrêt avant de brancher l'outil au secteur ou au bloc de batteries, de le prendre ou de le porter.

Transporter les outils en avec le doigt sur l'interrupteur ou les brancher avec l'interrupteur en position de marche est une source d'accidents.

##### d. Enlevez tout outil ou clé de réglage avant de mettre l'outil en marche.

Une clé ou un outil se trouvant sur une partie en rotation peut causer des blessures.

##### e. Adoptez une position confortable. Adoptez une position stable et gardez votre équilibre à tout moment.

Vous contrôlerez mieux l'outil dans des situations inattendues.

##### f. Portez des vêtements appropriés. Ne portez pas de vêtements flottants ou de bijoux. N'approchez pas les cheveux, vêtements ou gants des parties des pièces mobiles.

Les vêtements amples, les bijoux ou les

**f. Portez des vêtements appropriés. Ne portez pas de vêtements flottants ou de bijoux. N'approchez pas les cheveux, vêtements ou gants des parties des pièces mobiles.** Les vêtements amples, les bijoux ou les cheveux longs peuvent être attrapés dans les pièces en mouvement.

**g. Si des dispositifs servant à aspirer ou à recueillir les poussières doivent être utilisés, vérifiez qu'ils sont correctement raccordés et utilisés.** Le fait d'aspirer la poussière permet de réduire les risques inhérents à la poussière.

#### 4. UTILISATION DES OUTILS ÉLECTROPORTATIFS ET PRÉCAUTIONS

**a. Ne surchargez pas l'outil. Utilisez l'outil électroportatif approprié pour le travail à effectuer.**

Avec l'outil électroportatif approprié, vous travaillerez mieux et avec plus de sécurité à la vitesse pour laquelle il a été conçu.

**b. N'utilisez pas un outil électroportatif dont l'interrupteur est défectueux.** Un outil électroportatif qui ne peut plus être mis en ou hors fonctionnement est dangereux et doit être réparé.

**c. Déconnectez la prise de la source d'alimentation ou le pack-batterie de l'outil électrique avant tout réglage, changement d'accessoire voire rangement des outils électriques.** Cette mesure de précaution empêche une mise en marche par mégarde.

**d. Rangez les outils électroportatifs hors de portée des enfants. Ne laissez pas les personnes n'étant pas familiarisées avec l'outil ou n'ayant pas lu ces instructions l'utiliser.** Les outils électroportatifs sont dangereux lorsqu'ils sont utilisés par des personnes non initiées.

**e. Prenez soin des outils électroportatifs. Vérifiez que les parties en mouvement fonctionnent correctement et qu'elles ne sont pas coincées ; vérifiez qu'il n'y a pas de pièces cassées ou endommagées susceptibles de nuire au bon fonctionnement de l'outil. S'il est endommagé, faites réparer l'outil avant de l'utiliser.** De nombreux accidents sont dus à des outils électroportatifs mal entretenus.

**f. Maintenez les outils de coupe aiguisés et propres.** Des outils soigneusement entretenus avec des bords tranchants bien aiguisés se coincent moins souvent et peuvent être guidés plus facilement.

**g. Utilisez l'outil électrique, les accessoires et forets, etc. conformément à ces instructions, en tenant compte des conditions de travail et des tâches à effectuer.** L'utilisation des outils électroportatifs à

d'autres fins que celles prévues peut entraîner des situations dangereuses.

#### 5. UTILISATION DES OUTILS À BATTERIE ET PRÉCAUTIONS

**a. Rechargez la batterie uniquement avec le chargeur spécifié par le fabricant.** Un chargeur prévu pour un type de batterie présente un risque d'incendie s'il est utilisé avec un autre type de batterie.

**b. Utilisez les outils électroportatifs uniquement avec les batteries spécifiquement conçues pour eux.** L'utilisation d'autres batteries peut comporter un risque de blessures ou d'incendie.

**c. Quand vous ne l'utilisez pas, rangez la batterie loin d'autres objets métalliques tels que trombones, pièces, clous, vis ou autres pouvant créer une connexion entre deux bornes.** Court-circuiter les bornes du pack-batteries peut provoquer des brûlures ou un incendie.

**d. Dans des conditions inappropriées, la batterie peut rejeter du liquide. Évitez le contact. Si un contact accidentel se produit, rincez à l'eau. Si le liquide touche les yeux, consultez un médecin.** Le liquide rejeté par la pile peut causer une irritation cutanée ou des brûlures.

**e) N'utilisez pas une batterie ou un outil électroportatif endommagés ou modifiés.** Les batteries endommagées ou modifiées sont imprévisibles et peuvent comporter un risque d'incendie, d'explosion ou de dommages corporels.

**f) N'exposez pas l'assemblage en batterie ou les outils électroportatifs à l'incendie ou aux températures excessifs.** L'exposition à l'incendie ou aux températures supérieures de 130°C présente un risque d'explosion.

**g) Suivez toutes les instructions de rechargement et ne rechargez pas la batterie ou l'outil électroportatifs hors de températures indiquées dans les instructions.** Le mauvais rechargement ou le rechargement hors de températures indiquées peuvent endommager la batterie et redoubler le risque d'incendie.

#### 6. RÉPARATIONS

**a. Faites réparer votre outil électroportatif uniquement par du personnel qualifié et seulement avec des pièces de rechange d'origine.** Cela garantira le maintien de la sécurité de votre outil.

**b) Ne réparez jamais des batteries endommagées.** La réparation d'assemblage en batterie devrait seulement être effectuée par le producteur ou par les fournisseurs de

## Avertissements de sécurité supplémentaires pour les outils électriques



**ATTENTION !** Des avertissements de sécurité supplémentaire pour l'outil de rembobinage.

- Assurez toujours que le sangle d'arrimage est en tout pour que le crochet ne saisisse pas des objets autour. Ceci présente un risque de blessures ou d'autres situations dangereuse.
- Ne bougez pas tandis que l'outil électroportatif est en usage. La perte de contrôle de l'outil électroportatif comporte un risque de blessures.
- Soyez attentif au crochet du sangle d'arrimage en rembobinant et diminuez la vitesse du rembobinage quand le crochet s'approche l'outil électroportatif. La perte d'attention comporte un risque de blessures.
- Ne touchez pas les pièces en rotation de l'outil électroportatif en usage en tant puisque ceci comporte un risque de blessures.
- Arrêtez d'appuyer sur l'interrupteur quand le rembobinage est terminé. Ceci comporte une surcharge de l'outil électroportatif et un risque de endommages de l'outil ou de blessures.
- Le domaine d'utilisation de l'outil est décrit dans le présent manuel. L'utilisation d'accessoires ou la réalisation d'opérations avec cet outil autres que ceux recommandés dans le présent manuel peut entraîner un risque de blessure ou de dégâts.

## La sécurité des autres

- L'utilisation de cet appareil par des personnes (y compris des enfants) ayant capacités physiques, sensorielles ou mentales réduite ou un manque d'expérience est interdite sans surveillance ou à moins qu'ils sont informés de la manière d'utiliser l'appareil par une personne responsable de leur sécurité.
- Veuillez surveiller vos enfants et leur interdire de jouer avec l'outil électroportatifs.
- Soyez conscients de ce qui se passe aux alentours et n'utilisez jamais l'outil électroportatifs quand il y a un risque de situations dangereuse.

## Risques résiduels

L'utilisation d'un outil non mentionné dans les consignes

de sécurité données peut entraîner des risques résiduels supplémentaires. Ces risques peuvent survenir si l'outil est mal utilisé, si l'utilisation est prolongée, etc.

Malgré l'application des normes de sécurité correspondantes et la présence de dispositifs de sécurité, les risques résiduels suivants ne peuvent être évités. Ceci comprend :

- Les blessures dues au contact avec une pièce mobile/ en rotation.
- Les blessures causées en changeant des pièces, lames ou accessoires.
- Les blessures dues à l'utilisation prolongée d'un outil. Une utilisation prolongée de l'outil nécessite des pauses régulières.
- Les blessures causées par une pièce externe ou par un équipement par la manœuvre de l'outil. En utilisant l'outil, soyez conscient de pièces externes en rotation/ aux pièces mobiles pour éviter des blessures.

## Vibration

**ATTENTION !** Les valeurs des émissions de vibrations en utilisant réellement l'outil peuvent différer des valeurs déclarées en fonction du mode d'usage de l'outil. Le niveau de vibration peut dépasser le niveau indiqué.

Pour évaluer l'exposition aux vibrations afin de déterminer les mesures de sécurité imposées par 2002/44/EC pour protéger les personnes utilisant régulièrement des outils électriques, une estimation de l'exposition aux vibrations devrait prendre en compte les conditions réelles et le mode d'utilisation de l'outil, notamment l'ensemble du cycle de fonctionnement ainsi l'arrêt de l'outil et son fonctionnement au ralenti, outre le démarrage.



## Étiquettes apposées sur l'outil

Les pictogrammes suivants sont présents sur l'outil :



**ATTENTION !** Afin de réduire les risques de blessures, l'utilisateur doit lire le manuel d'instructions.

**ATTENTION !** Afin de réduire les risques de blessures, les lunettes de protection sont obligatoires à tout moment en utilisant l'outil.

## Instructions de sécurité supplémentaires pour les batteries et chargeurs

### BATTERIES

- Chargez uniquement à température ambiante, entre 10 °C et 40 °C.
- Chargez uniquement en utilisant le chargeur fourni avec l'outil.
- Lorsque vous jetez des batteries, suivez les instructions données à la section « Protection de l'environnement ».

#### ATTENTION ! N'exposez pas la batterie au feu.



N'enflammez pas la batterie. Les batteries portent un risque d'explosion et exhalent de matériaux toxiques et de gaz dommageable pour les personnes ainsi que l'environnement.



**ATTENTION !** Afin de réduire les risques de blessures, l'utilisateur doit lire le manuel d'instructions.

#### CHARGEURS

- Utilisez uniquement votre chargeur DYNELLO pour charger les batteries fournies avec votre outil ou de même type et modèle. D'autres batteries pourraient exploser et causer des dommages ou blessures.
- Ne tentez jamais de charger des batteries non rechargeables.
- Remplacez immédiatement les fils électriques défectueux.
- Ne mettez pas le chargeur en contact avec de l'eau.
- N'ouvrez pas le chargeur.
- Ne testez pas le chargeur.



**ATTENTION !** Le chargeur a été conçu pour être utilisé uniquement à l'intérieur.



**ATTENTION !** Lisez le manuel d'instruction avant utilisation.

#### SÉCURITÉ ÉLECTRIQUE

- Si le câble d'alimentation est endommagé, il doit être remplacé par le fabricant ou par un centre de réparation agréé DYNELLO afin d'éviter tout accident.



Votre chargeur est doublement isolé ; par conséquent, aucun câble de masse n'est nécessaire.

Vérifiez toujours que la tension du secteur correspond à la tension indiquée sur la

plaque d'identification. Ne tentez jamais de remplacer le chargeur par une prise au secteur normale.

## FUNCTIONS

Cet outil d'électroportatif comporte des caractéristiques suivantes :

1. L'outil d'électroportatif
2. La serrure réglable
3. L'interrupteur d'une vitesse variable
4. La batterie
5. L'axe de fourche

#### Figure A

6. Chargeur
7. Port de charge de la batterie
8. Indicateur de chargement

#### Figure D

10. Goupilles de guidage

## L'ASSEMBLAGE

### L'installation et démontage de la batterie (Figure B)

- Mettez la batterie (4) au large de la prise de l'outil d'électroportatif. Laissez la batterie glisser dans la prise et poussez jusqu'elle se met correctement en place.
- En démontant la batterie, pressez sur le bouton déclencheur de la batterie tout en tirant la batterie de la prise.

## UTILISATION

**ATTENTION !** N'utilisez que l'outil à son utilisation destinée. D'autre utilisation peut causer de dommages corporels ou d'accidents.

### Charge de la batterie (figure A)

La batterie doit être chargée avant la première utilisation et chaque fois qu'elle semble faible. La batterie peut chauffer pendant la charge. Ceci est un phénomène normal qui ne présente pas un problème.

**ATTENTION !** Ne chargez pas la batterie en mettant dans l'outil. Assurez toujours que la batterie est enlevée de l'outil avant le chargement de la batterie.

**Remarque : le chargeur ne chargera pas le bloc-batteries si la température de l'élément est inférieure à environ 0 °C ou supérieure à 40 °C.**

**Le bloc-batteries doit rester dans le chargeur. Le chargeur commence automatiquement la charge quand la température de l'élément se réchauffe ou se refroidit.**

- Pour charger la batterie (4), mettez la prise du chargeur (6) dans le port de charge de la batterie (7). Soyez certain que la prise enclenche correctement place.
- Branchez le chargeur et éteignez l'interrupteur. L'indicateur de chargement (8) allume rouge continuellement.

Le chargement est finalisé quand l'indicateur de chargement (8) allume vert continuellement. Vous pouvez laisser la batterie dans le chargeur avec le LED allumé. Le LED allumera rouge continuellement (chargement) en tant que le chargeur de temps en temps « complète » la batterie. L'indicateur de chargement (8) allume aussi longtemps que la batterie est connecté au chargeur branché.

- Chargez les batteries déchargées dans 1 semaine. La vie des batteries se réduit énormément si la batterie est stockée dans un état de décharge.

### Réglage de largeur de sangles d'arrimage (Figure D)

L'outil apporte une serrure réglable (2) qui permet de facilement régler les largeurs différentes de sangles.

- Assurez que la serrure réglable (2) est débloquée.
- Réglez la largeur par faire glisser la serrure réglable (2) sur les goupilles de guidage (10).

### Installation de sangles d'arrimage (Figure C)

L'outil est équipé de goupilles de guidage (10) et une serrure réglable (2) qui assurent un rembobinage régulier de sangles d'arrimage (9). En installant le sangle d'arrimage (9), suivez les étapes suivantes :

- Assurez que la serrure réglable (2) est débloquée.
- Réglez la serrure réglable (2) à la largeur du sangle d'arrimage (9).
- Agrippez la sangle (9) et l'accompagner dans les goupilles de guidage (10) et l'axe de fourches (5).
- Bloquez la serrure réglable (2).

### Rembobinage

Cet outil se tourne seulement dans le sens des aiguilles d'une montre, vu d'en haut.

- Appuyez sur l'interrupteur (3) pour allumer l'outil d'électroportatif. La vitesse du rembobinage dépend jusqu'où vous appuyez l'interrupteur.
- Arrêtez d'appuyer sur l'interrupteur pour éteindre l'outil d'électroportatif.
- Laissez l'interrupteur immédiatement quand le sangle est rembobiné jusqu'au bout.

### Enlevant de sangles d'arrimage (Figure E & Figure F)

Pour enlever la sangle, suivez les étapes suivantes :

- Débloquez la serrure réglable (2).
- Enlevez la sangle d'arrimage (9) de goupilles de guidage (10).
- Tenez l'outil d'électroportatif. (1) horizontale avec la main droite, agrippez la sangle (9) avec la gauche (11) et pressez la sangle en votre ventre pour avoir une grande emprise de la sangle (vu sur Figure E).
- Tirez maintenant l'outil (1) loin de la sangle (9) dans un mouvement horizontal jusqu'à l'outil est hors de la sangle (vu sur Figure F).

**Veillez noter : Ce procédure est assumé pour les droitiers. Pour des gauchers, le processus se fait dans l'autre sens.**

### ENTRETIEN

Votre outil DYNELLO a été conçu pour fonctionner pendant longtemps avec un minimum d'entretien. Un fonctionnement continu satisfaisant dépend d'un nettoyage régulier et d'un entretien approprié de l'outil.

Votre chargeur ne nécessite aucun entretien autre qu'un nettoyage régulier.

**ATTENTION !** Avant de procéder à tout entretien de l'outil, retirez la batterie. Débranchez le chargeur avant de le nettoyer.

- Nettoyez régulièrement le carter du moteur à l'aide d'un chiffon humide. N'utilisez pas de produit abrasif ou à base de solvant.

## PROTECTION DE L'ENVIRONNEMENT



Collecte séparée. Ce produit ne doit pas être jeté avec les déchets domestiques normaux.

Si vous trouvez un jour que votre produit DYNELLO devrait être remplacé ou dans le cas où vous n'en avez plus besoin, ne le jetez pas avec les ordures ménagères normales. Le produit devrait être jeté séparément.



La collecte séparée des produits et emballages usés permet le recyclage des articles afin de les utiliser à nouveau. Le fait d'utiliser à nouveau des produits recyclés permet d'éviter la pollution environnementale et de réduire la demande de matières premières.

Les réglementations locales peuvent permettre la collecte séparée des produits électriques du foyer, dans des déchetteries municipales ou auprès du revendeur vous ayant vendu votre nouveau produit.

DYNELLO fournit un dispositif permettant de collecter et de recycler les produits DYNELLO lorsqu'ils ont atteint la fin de leur cycle de vie. Pour pouvoir profiter de ce service, veuillez retourner votre produit à un réparateur agréé qui se chargera de le collecter pour nous.



### PACKS-BATTERIES

Videz complètement la batterie, puis retirez-la de l'outil.



Les batteries DYNELLO peuvent être rechargées de nombreuses fois. A la fin de leur durée de vie technique, jetez les batteries en respectant l'environnement.

RS0101		
Tension	$V_{DC}$	12
Aucune vitesse de charge	$Min^{-1}$	0-300

Chargeur RS0101-018		
Tension d'entrée	$V_{AC}$	230
Tension de sortie	$V_{DC}$	12
Courant	$mA$	1300
Charge approximative	$t$	2 - 3

Batterie RS0101-010		
Tension	$V_{DC}$	12
Capacité	$Ah$	1,3
Type		Li-Ion

Niveau de pression sonore selon la norme EN 62841-1	
Ljudnivå ( $L_{pA}$ )	69.2 dB(A), osäkerhet (K) 3 dB(A)
Ljudeffekt ( $L_{WA}$ )	80.2 dB(A), osäkerhet (K) 3 dB(A)

Valeurs totales des vibrations (somme vectorielle triaxiale) selon la norme EN 62841-1	
Upprullning med stropp ( $a_{h,M}$ )	<2.5 $m/s^2$ , osäkerhet (K) 1,5 $m/s^2$
Upprullning utan stropp ( $a_{h,U}$ )	<2.5 $m/s^2$ , osäkerhet (K) 1,5 $m/s^2$

## Caractéristiques techniques

### DÉVELOPPEMENT TECHNIQUE

DYNELLO travaille constamment au développement de tous les outils électroportatifs et d'équipement ; Pour cette raison, nous nous réservons le droit d'effectuer des changements de produits, de formes, de technique et d'équipement. Les exigences dérivées de spécifications et d'illustrations de cette manuelle ne sont pas possibles.



## DÉCLARATION DE CONFORMITÉ

### CONSIGNES DE MACHINERIE



RS0101

DYNELLO confirme que les produits décrits dans les "Données techniques" sont conformes aux normes : 2006/42/EF, EN 62841-1

Ces produits sont conformes aux Directives 2004/108/EF og 2011/65/EU. Pour plus d'informations, veuillez visiter notre site web :

[www.dynello.com](http://www.dynello.com)

Le soussigné est responsable des données de la fiche technique et fait cette déclaration au nom de DYNELLO.

Emil Schrøder Jakobsen  
Directeur technique

Dynello ApS, Inge Lehmanns Gade 10, 6. sal  
8000 Aarhus  
Danmark  
10.05.2016

client, sauf dans les circonstances suivantes :

- Le produit a été mal utilisé ou avec négligence.
- Le produit a subi des dommages à cause d'objets étrangers, de substances ou à cause d'accidents.
- Des réparations ont été tentées par des techniciens ne faisant pas partie du service technique de DYNELLO.

Pour effectuer l'exigence de la garantie, une présence du produit et la preuve d'achat est obligatoire chez soit un vendeur soit un réparateur autorisé. Vous pourriez trouver le vendeur ou le réparateur le plus près sur notre site web : [www.dynello.com](http://www.dynello.com)

Il y a plus d'information de la marque DYNELLO et de notre assortiment à trouver sur le site web : [www.dynello.com](http://www.dynello.com)

### MERCI

Merci d'avoir choisi DYNELLO, un produit de qualité. Ce produit est fabriqué dans une manière de production moderne et d'assurance de qualité. Nous faisons tout ce qui est en notre pouvoir pour nous assurer que vous soyez pleinement satisfait du produit et que vous pourriez l'utiliser sans problèmes. En cas des questions concernant le produit, veuillez contacter votre vendeur ou DYNELLO.

Bien cordialement

Emil Schrøder Jakobsen & Jens Kjærulff

## GARANTIE

DYNELLO est confiant dans la qualité de ses produits et vous offre une garantie très étendue. Ce certificat de garantie est un document supplémentaire et ne peut en aucun cas se substituer à vos droits légaux. La garantie est valable sur tout le territoire des Etats Membres de l'Union Européenne et de la Zone de Libre Echange Européenne.

Si un produit DYNELLO s'avère défectueux en raison de matériaux en mauvaises conditions, d'une erreur humaine, ou d'un manque de conformité dans les 24 mois suivant la date d'achat, DYNELLO garantit le remplacement des pièces défectueuses, la réparation des produits usés ou cassés ou remplace ces produits à la convenance du



 **DYNELLO**<sup>TM</sup>

All rights reserved. Copyright © Dynello 2017

SEPTEMBER 2017

RS0101-028. REV-1.