

**LINHAI 400B**

Reservelele

Spareparts

**90 39 165, 90 41 010 & 90 41 011**

*2018 version*



**P.Lindberg**

## INDHOLDSFORTEGNELSE / INDEX

FIG 1: STYR & BETJENING / HANDLEBAR

FIG 2: BENZINTANK / FUEL TANK

FIG 3: BAGSKÆRM & SÆDE / REAR FENDERS

FIG 4: FORSKÆRME & OPHÆNG / FRONT BODY & FRAME

FIG 5: FORHJULSOPHÆNG / SHOCK ABSORBER, FRONT

FIG 6: BAGHJULSOPHÆNG / REAR ARM

FIG 7: FORHJUL / WHEEL, FRONT

FIG 8: BAGHJUL / WHEEL, REAR

FIG 9: TRANSMISSION, 2WD / TRANSMISSION, 2WD

FIG 10: TRANSMISSION, 4WD / TRANSMISSION, 4WD

FIG 11: BESLAG FOR GEARKASSE / SUPPORT BRACKET

FIG 12: GEARSKIFTE / SHIFT ROD

FIG 13: BAGTØJ / REAR GEARBOX

FIG 14: TRÆKAKSEL, FOR / FRONT DRIVE AXLE

FIG 15: TRÆKAKSEL, BAG / REAR DRIVE AXLE

FIG 16: TRÆKAKSEL, BAGUD / REAR KNUCKLE ASSY

FIG 17: STYRAKSEL / STEERING COLUMN

FIG 18: EL-DELE / ELECTRICAL SYSTEM

FIG 19: BREMSESYSTEM / BRAKE SYSTEM

FIG 20: PARKERINGSBREMSE / AUXILIARY BRAKE

FIG 21: BREMSEPEDAL / PEDAL, BRAKE

FIG 21A: KOFANGER & BAGAGEBÆRER / BUMPER & RACK

FIG 22: CYLINDER & TOPSTYKKE / CYLINDER

FIG 23: KRUMTAP / CRANKSHAFT

FIG 24: VENTILER / VALVES

FIG 25: KNASTAKSEL / CAMSHAFT

FIG 26: VANDPUMPE / WATER PUMP

FIG 27: KØLESYSTEM, 2WD / RADIATOR, 2WD

FIG 28: KØLESYSTEM, 4WD / RADIATOR, 4WD

FIG 29: OLIEPUMPE / OIL PUMP

FIG 30: LUFTFILTER / AIR CLEANER

FIG 31: KARBURATOR / CARBURETOR

FIG 32: UDSØDNINGSSYSTEM / EXHAUST

FIG 33: KRUMTAPHUS / CRANKCASE

FIG 34: SIDEDÆKSLER, VENSTRE & HØJRE / COVERS, LEFT & RIGHT

FIG 35: STARTDREV / STARTER

FIG 36: KOBLING, CVT / CLUTCH

FIG 37: STØTTELEJE FOR KOBLING / HIGH-POWER CLUTCH STAND, ASSY

FIG 38: GENERATOR / GENERATOR

FIG 39: STARTMOTOR, 12V / STARTING MOTOR

FIG 40: MOTOR & OPHÆNG / ENGINE

FIG 41: FORHJULSTRÆK / FRONT GEARBOX

FIG 42: DIFFERENTIALE / FOC BODY

FIG 43: SPECIALVÆRKTØJ / SPECIAL TOOL KIT

DA DER LØBENDE BLIVER OPRETTET NYE RESERVEDELE, ANBEFALES DET AT BRUGE LINHAI'S OE NR TIL SØGNING

FIG 1: STYR & BETJENING / HANDLEBAR

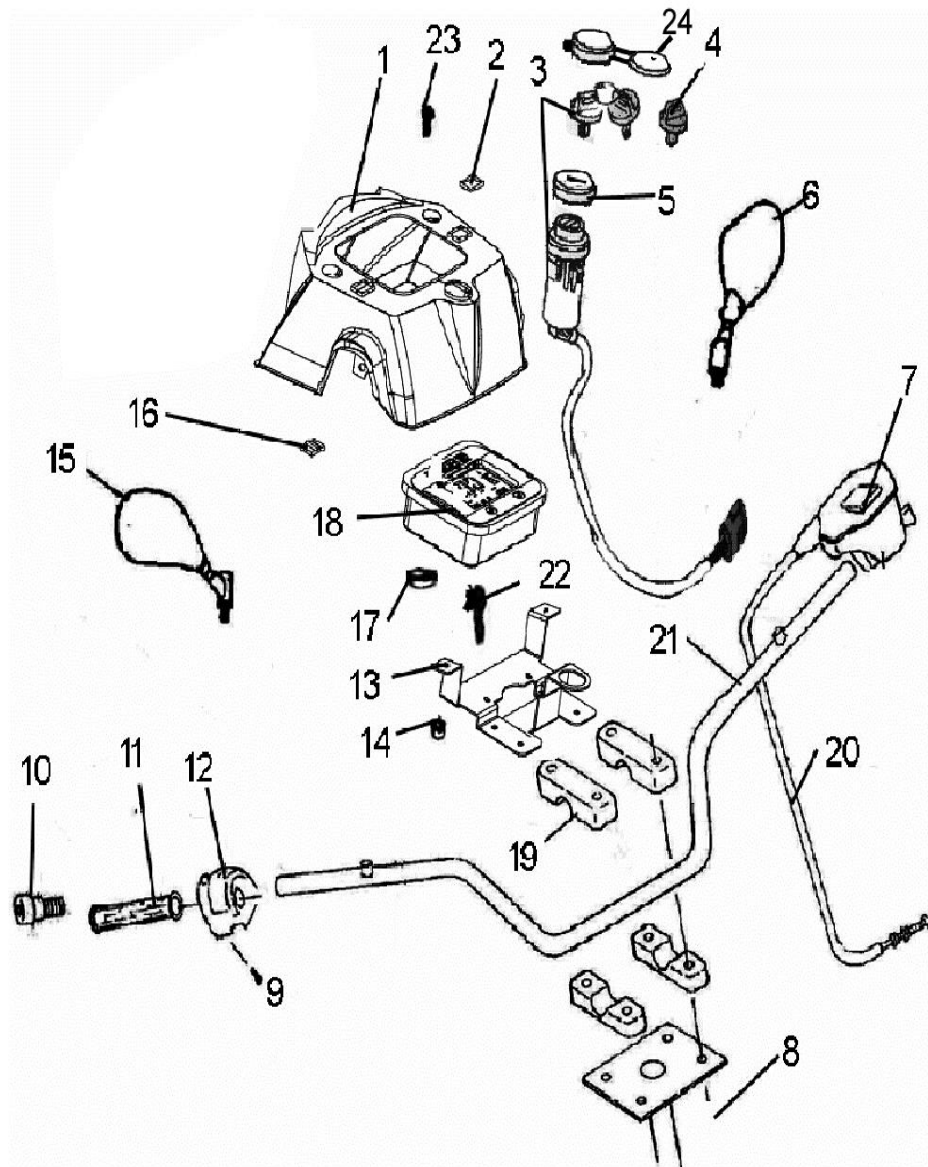


FIG 1: STYR &amp; BETJENING / HANDLEBAR

Ref. no	PL nr / art. no	Varenavn	Art. name	OE no	Antal / pcs
1	9030697	SPEEDOMETER HUS	SPEEDOMETER COVER	25001	1
2	9039464	KONTAKT F. NØDBLINK	EMERGENT SWITCH	70425	1
3	9029739	TÆNDINGSLÅS INCL NØGLE	IGNITION SWITCH WITH KEY	30110	1
4	N/A	NØGLE	KEY BLANK	25003	1
5	9039404	MØTRIK F. TÆNDINGSKONTAKT	THREADED NUT	25004	1
6	9029740	SIDESPEJLE VENSTRE	REAR VIEW MIRROR RIGHT ( ONLY FOR EUROPE)	30117	1
7A	9039739	GASREGULERING	THROTTLE CONTROL (WITH 2WD/4WD SWITCH)(SEE PICTURE)	20109A	1
8	9050207	MØTRIK	NUT M8	10079	4
9	9050220	BOLT	BOLT M6X12	10140	1
10	9030037	STYR ENDE	GRIP END.	30119	2
11	9029704	HÅNDTAG	GRIP	30515	2
12	9030036	KONTAKT SÆT	SWITCH ASSY	25523	1
13	9037382	SPEEDOMETER BESLAG	SPEEDOMETER BRACKET	25008	1
14	9050206	MØTRIK	NUT M6	10004	2
15	9029741	SIDESPEJLE HØJRE	REAR VIEW MIRROR LEFT ( ONLY FOR EUROPE)	30118	1
16	N/A	CLIPS	SPEEDOMETER COVER CAP	25010	1
17	N/A	SKIVE	WASHER	25011	2
18	9039449	SPEEDOMETER DIGITAL	LCD SPEEDOMETER (FOR EUROPE)	27391	1
19	N/A	STYRBESLAG	HANDLEBAR CLAMP	20112A	4
20	9039411	GASKABEL	THROTTLE CABLE(FOR TOP PULL CABLE TYPE)	27296	1
21	9039446	STYR	HANDLEBAR	27385	1
22	9050236	BOLT	BOLT M8X65	10139	4
23	9049325	SKRUE	SCREW M6X12	25013	2
24	9039406	DÆKSEL F. TÆNDINGSKONTAKT	IGNITION SWITCH COVER	27257	1
25	9039407	FINGERKNAP F. GASGIVER	THROTTLE CONTROL LEVER(FOR NO.7A 7B)	27279	1

FIG 2: BENZINTANK / FUEL TANK

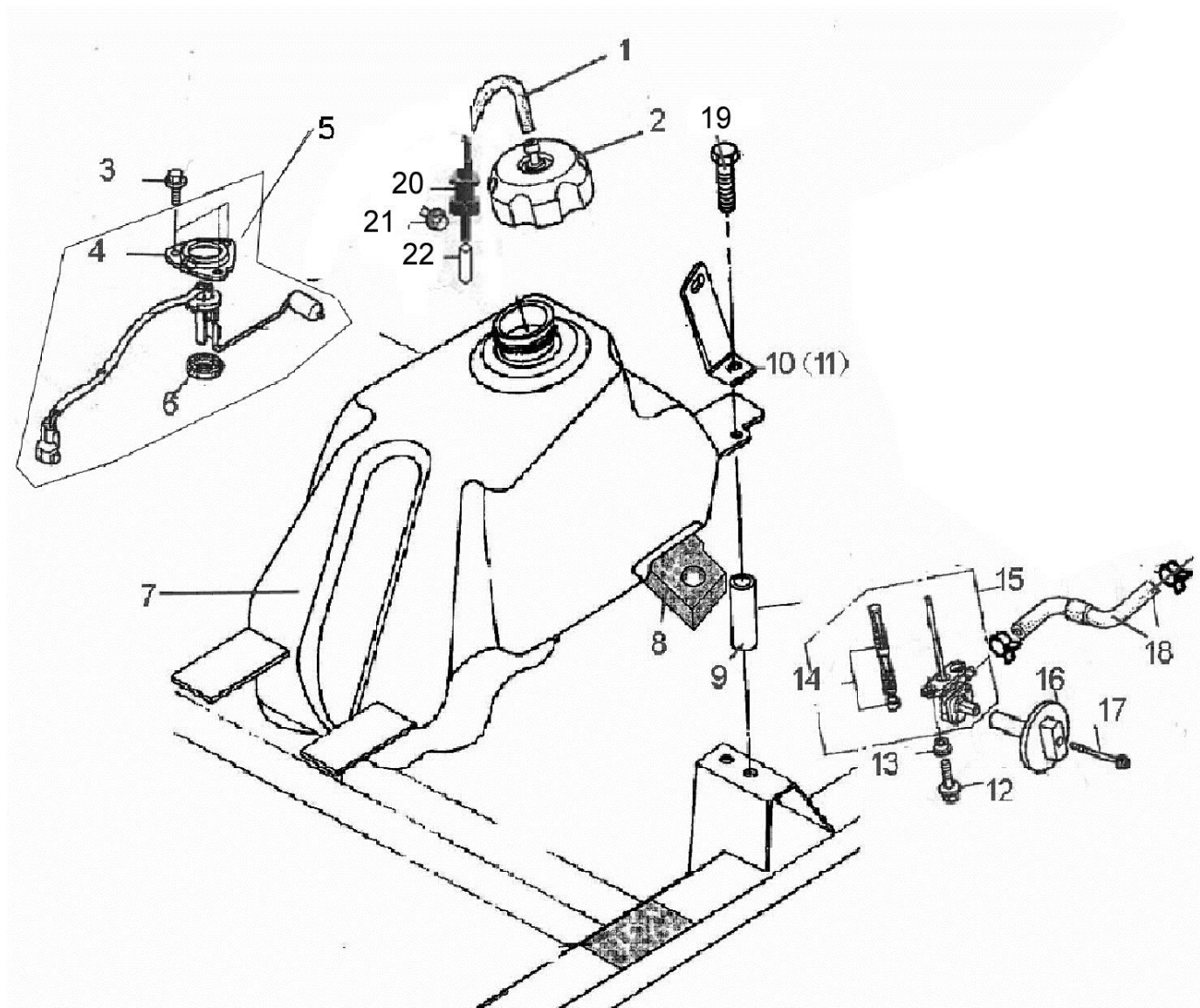


FIG 2: BENZINTANK / FUEL TANK

Ref. no	PL nr / art. no	Varenavn	Art. name	OE no	Antal / pcs
1	9039451	SLANGE F. TANKDÆKSEL	TUBE,FUEL CAP BREATHER	29652	1
2	9039477	TANKDÆKSEL	FUEL CAP	70725	1
3	9050220	BOLT	BOLT M6X12	10140	3
4	N/A	PLADE	PLATE, UNIT SET	25019	1
5	9030702	TANKMÅLER SÆT	FUEL UNIT SET ASSY	25020	1
6	9030703	PAKNING TANKMÅLER	GASKET, BASE	25021	1
7	9030890	BENZINTANK	FUEL TANK	25022	1
8	9030902	GUMMIUNDERLÆG	FOAM PAD	20209	1
9	N/A	AFSTANDSRØR	SPACER	20210	2
10	N/A	MONTERINGSBESLAG	MOUNTING BRACKET LEFT	25023	1
11	N/A	MONTERINGSBESLAG	MOUNTING BRACKET RIGHT	25024	1
12	9050220	BOLT	BOLT M6X12	10140	2
13	N/A	KRAVE	COLLAR	70742	2
14	9030858	TANKFILTER	SCREW SET, FUEL STRAINER	25027	1
15	9030705	BENZINHANE	PETCOCK ASSY	25029	1
16	9030706	DREJEKNAP BENZINHANE	LEVER, PETCOCK	25030	1
17	N/A	SKRUE	SCREW-WASHER	25031	1
18	9030299	BENZINSLANGE	TUBE,FUEL	25032	1
19	9050225	BOLT	BOLT M6X60	10005	2
20	9039398	VENTIL F. TANKDÆKSEL	VALVE,TANK, FUEL	710,021	1
21	N/A	BOLT	BOLT M5X10	25039	1
22	N/A	SLANGE	TUBE	70734	1

FIG 3: BAGSKÆRM & SÆDE / REAR FENDERS

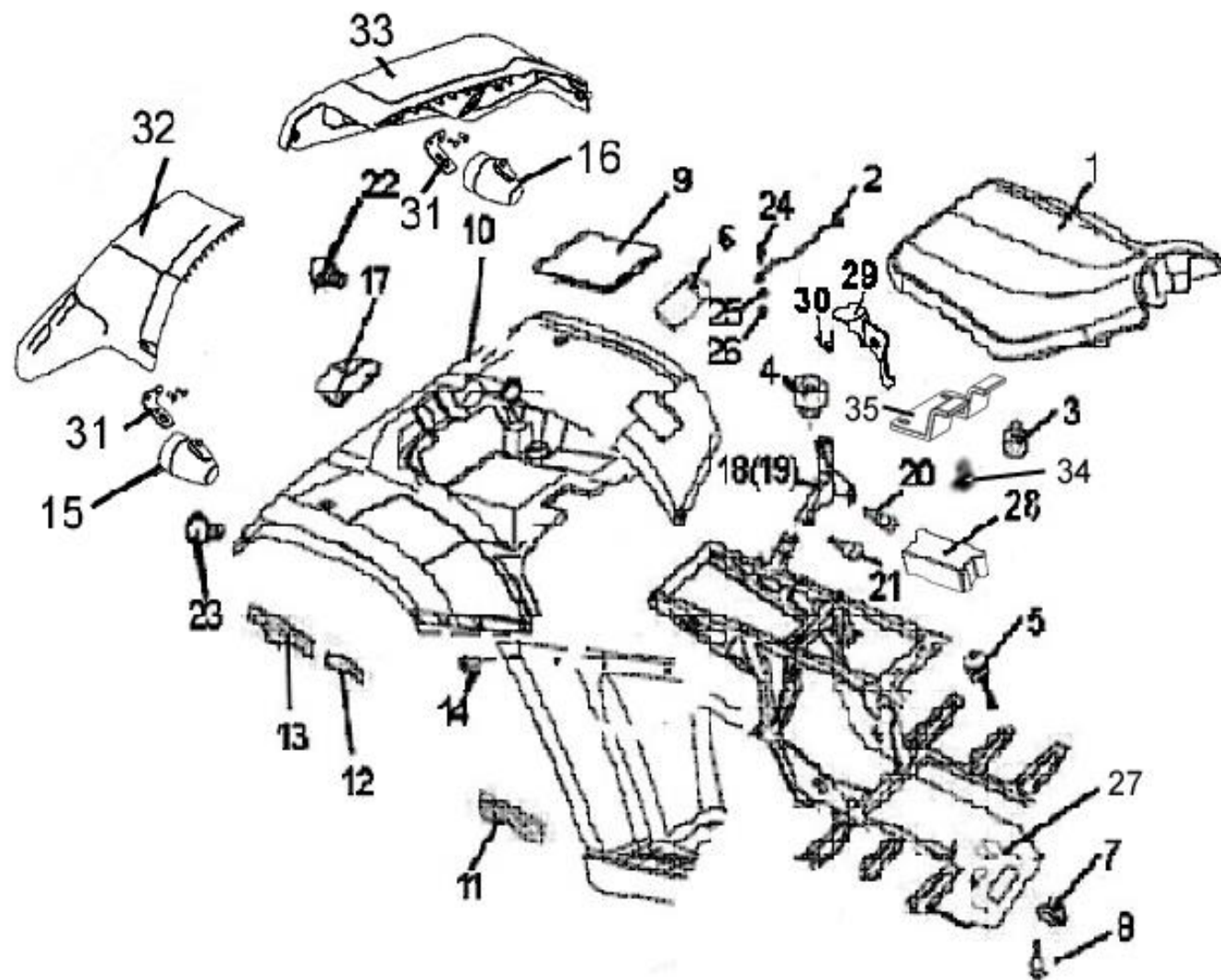




FIG 3: BAGSKÆRM & SÆDE / REAR FENDERS

Ref. no	PL nr / art. no	Varenavn	Art. name	OE no	Antal / pcs
1	9030709	SÆDE	SEAT	25040	1
2	9030710	LÅSEPAL	LATCH ASSEMBLY	25041	1
3	9030711	GUMMIDUPPER 1 FORREST	RUBBER, SEAT SETTING 1	25042	6
4	9039611	GUMMIDÆMPER	RUBBER, SEAT SETTING 2	70445	2
5	9030675	GUMMIDUPPE STEL	RUBBER PAD	20316	8
6	N/A	KLAP	TOOL	25044	1
7	9050201	SKIVE	WASHER 6	20331	7
8	9050221	BOLT	BOLT M6X18	10191	9
9	9030713	VÆRKTØJSKASSE LÅG	TOOL BOX CAP	25045	1
10	9039442	BAGSKÆRM GRØN	REAR FENDER	27381G	1
10	9041159	BAGSKÆRM HVID	REAR FENDER	27381W	1
10	9041160	BAGSKÆRM RØD	REAR FENDER	27381R	1
11	9030923	FODHVILER	FOOTREST RIGHT ADIABATIC PELLICLE	25047	1
12	9030925	BESKYTTELSESFOLIE	REAR MUD ADIABATIC PELLICLE 1	25048	1
13	9030927	BESKYTTELSESFOLIE	REAR MUD ADIABATIC PELLICLE 2	25049	1
14	9039399	SKRUE 6X16	SCREW M6X16	10420	8
15	9039432	BLINKLYGTE V. BAG	LEFT REAR INDICATION LIGHT	27367	1
16	9039433	BLINKLYGTE H. BAG	RIGHT REAR INDICATION LIGHT	27368	1
17	9030717	BAGLYGTE	TAILLIGHT	25053	1
18	N/A	BESLAG	TRESTLE RIGHT	25054	1
19	N/A	BESLAG	TRESTLE LEFT	25055	1
20	9050236	BOLT	BOLT M8X70	25056	2
21	9050234	BOLT	BOLT M8X45	10055	2
22	9025959	PÆRE 12V 21/5W	TAILLIGHT BULB 12V 21W/5W	22017	1
23	9025953	PÆRE 12V 10W	REAR INDICATION LIGHT BULB 12V10W (WHITE)	25091	2
24	9050220	BOLT	BOLT M6X12	10140	2
25	9050201	SKIVE	WASHER 6	10006	2
26	9050213	MØTRIK M6	NUT	10004	2
27	9039412	BUNDSKJOLD	PLASTIC PLANT	27312	1
28	9029995	BATTERI DÆKSEL	BATTERY COVER	25063	1
29	N/A	SÆDELÅS	HOOK BRACKET, SEAT LOCK	70801	1
30	9049217	FJEDER	SPRING	70802	1
31	N/A	BLINKLYGTEBESLAG	REAR INDICATION LIGHT BRACKET	27362	2
32	9039444	BAGFLAP H.	TAILLIGHT COVER, R	27383	1
33	9039443	BAGFLAP V.	TAILLIGHT COVER, L	27382	1
34	N/A	SKRUE	SCREW M6X16 ST4.2X13	10178	2
35	N/A	SÆDEBESLAG	BAFFLE.SEAT	70803	1

FIG 4: FORSKÆRME & OPHÆNG / FRONT BODY & FRAME

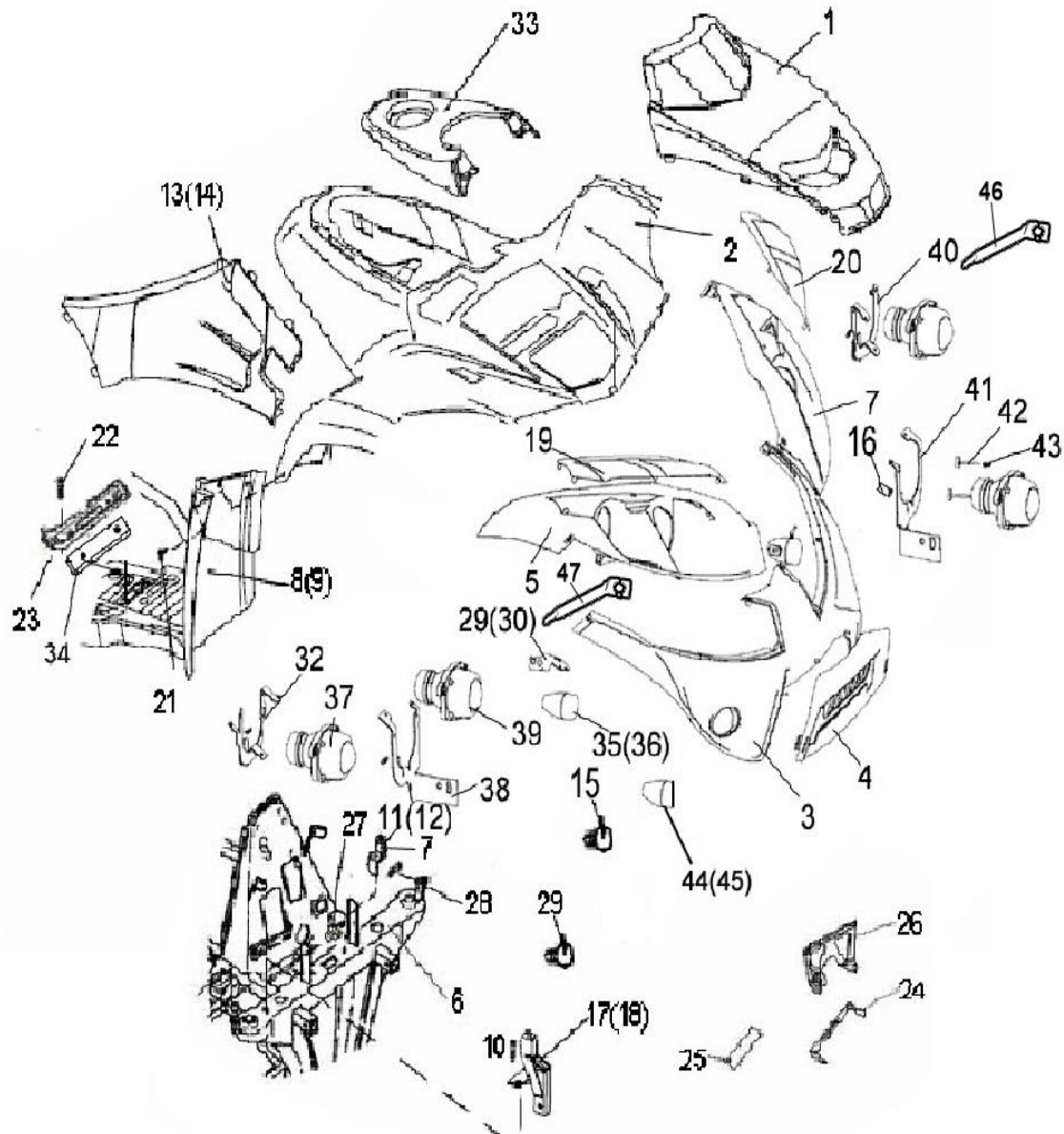


FIG 4: FORSKÆRME &amp; OPHÆNG / FRONT BODY &amp; FRAME

Ref. no	PL nr / art. no	Varenavn	Art. name	OE no	Antal / pcs
1	9030986	FRONT DÆKSEL LILLE	FRONT COVER	25064	1
2	9039441	FORSKÆRM - GRØN	FRONT BODY	27380G	1
2	9041157	FORSKÆRM - HVID	FRONT BODY	27380W	
2	9041158	FORSKÆRM - RØD	FRONT BODY	27380R	
3	9039425	COVER FORSTYKKE	PLASTIC BUMPER	27357	1
4	9039428	COVER FRONTGRILL	FRONT COVER	27363	1
5	9039430	COVER FORLYGTEHUS H.	PROTECTOR.R.HEADLIGHT	27365	1
6	N/A	STELDEL	FRAME COMP.	27348	1
7	9039439	COVER FORLYGTEHUS V.	PROTECTOR.L.HEADLIGHT	27376	1
8	9030724	FODRIST HØJRE	FOOTREST RIGHT	25071	1
9	9030725	FODRIST VENSTRE	FOOTREST LEFT	25072	1
10	9050220	BOLT	BOLT M6X12	10140	2
11	N/A	BESLAG	FRONT BODY BRACKET R	27350	1
12	N/A	BESLAG	FRONT BODY BRACKET L	27390	1
13	9030726	SIDEBESKYTTELSE MOTOR HØJRE	SIDE COVER R	25076	1
14	9030727	SIDEBESKYTTELSE MOTOR VENSTRE	SIDE COVER L	25077	1
15	9034279	PÆRE	BULB,HEADLIGHT 35W/35W	22371	4
16	9039436	KUGLEFORBINDELSE	BALL JOINT, HEADLIGHT	27371	4
17	N/A	BESLAG	TRESTLE R	27360	1
18	N/A	BESLAG	TRESTLE L	27358	1
19	9039447	LYGTEGALS H. FORLYGTE	SIDE COVER,R.HEADLIGHT	27388	1
20	9039448	LYGTEGLAS V. FORLYGTE	SIDE COVER,L.HEADLIGHT	27389	1
21	9039399	SKRUE 6X16	SCREW M6X16	10420	8
22	N/A	SKRUE	SCREW M6X20	10127	4
23	N/A	TRIN	STEP	70336	2
24	N/A	BESLAG F. KØLER	DOWN BRACKET RADIATOR	20413	1
25	9030995	DÆKSEL OVER BENZINTANK	SPACER RUBBER	20414	1
26	N/A	BESLAG F. KØLER	UP BRACKET RADIATOR	20412	1
27	9050206	MØTRIK	NUT M6	10004	2
28	9050220	BOLT	BOLT M6X12	10140	2
29	9039445	BESLAG F. BLINKLYGTE H. F.	FRONT INDICATOR LIGHT BRACKET,R	27384	1
30	9039427	BESLAG F. BLINKLYGTE V. F.	FRONT INDICATOR LIGHT BRACKET,R	27361	1
31	9041089	PÆRE	FRONT INDICATOR LIGHT BULB 12V 10W (FOR EUROPE (YELLOW))	32045	2
32	N/A	BESLAG	HIGH BEAM BRACKET, R	27353	1

33	9030730	TANKBESKYTER	COVER,FUEL TANK TOP	25093	1
34	N/A	GUMMISKIVE	RUBBER WASHER	70300	2
35	9039437	BLINKLYGTE H. F.	FRONT INDICATOR LIGHT R (ONLY FOR EUROPE)	27374	1
36	9039438	BLINKLYGTE V. F.	FRONT INDICATOR LIGHT L (ONLY FOR EUROPE)	27375	1
37	9039434	FORLYGTE, HØJ	HIGH BEAM	27369	2
38	N/A	BESLAG	DIPPED HEADLIGHT BRACKET, R	27354	1
39	9039435	FORLYGTE, LAV	DIPPED HEADLIGHT	27370	2
40	N/A	BESLAG	HIGH BEAM BRACKET, L	27356	1
41	N/A	BESLAG	DIPPED HEADLIGHT BRACKET, L	27355	1
42	N/A	JUSTERSKRUE	ADJUSTMENT BOLT, HEADLIGHT	27372	8
43	N/A	FJEDER	SPRING	27373	8
46	N/A	BESLAG	LEFT BRACKET	27397	1
47	N/A	BESLAG	RIGHT BRACKET	27398	1



FIG 5: FORHJULSOPHÆNG / SHOCK ABSORBER, FRONT

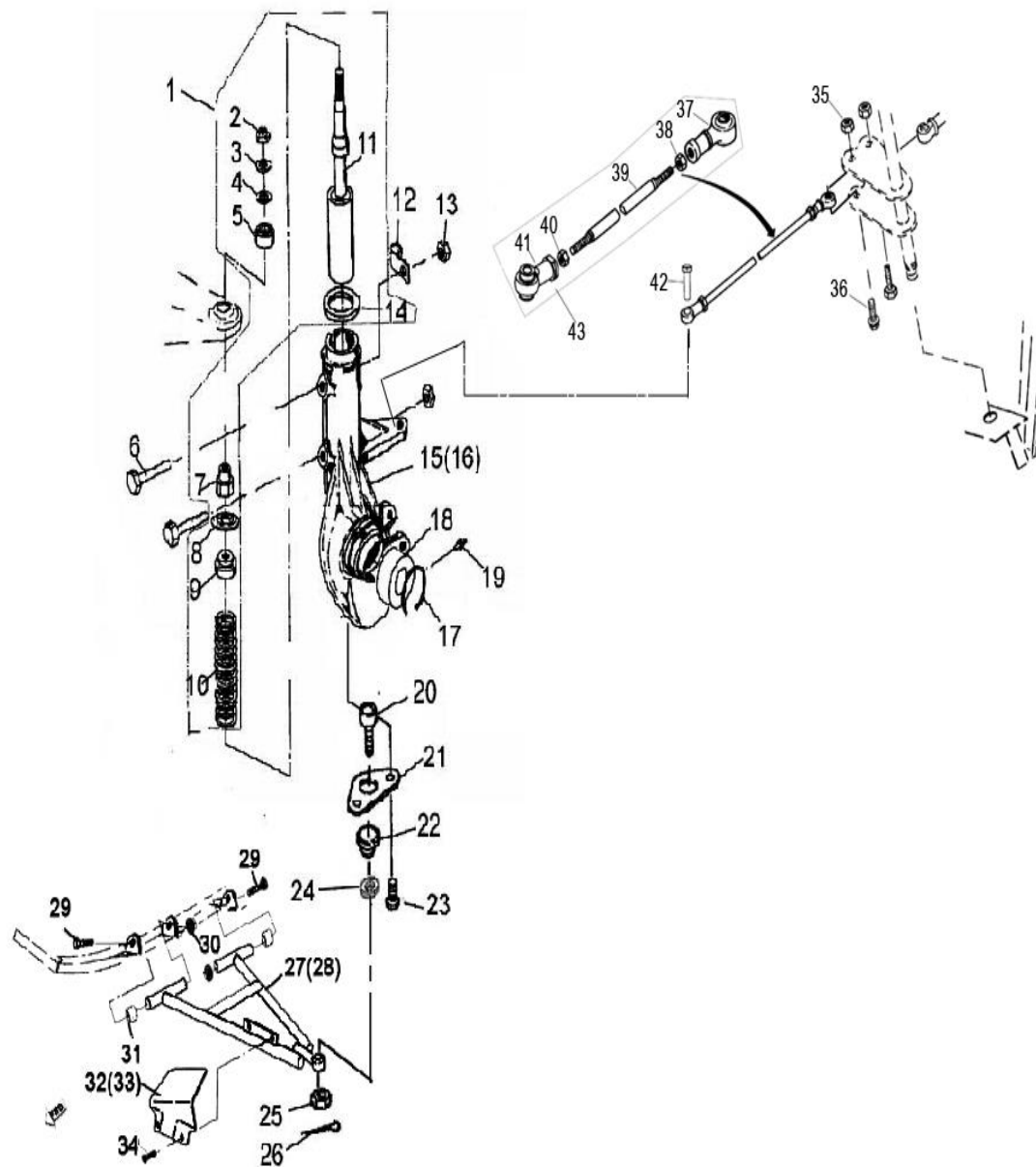


FIG 5: FORHJULSOPHÆNG / SHOCK ABSORBER, FRONT

Ref. no	PL nr / art. no	Varenavn	Art. name	OE no	Antal / pcs
1	9034743	STØDDÆMPER FOR KPL.	FRONT SHOCK ABSORBER ASSEMBLY	26907	2
2	9034762	MØTRIK	NUT M14X1.5	10091	2
3	N/A	SKIVE	WASHR 14	10092	2
4	9029718	AFSTANDSGUMMI	SPACER RUBBER	21803	2
5	9029652	FJEDERBENSLEJE ØVERST	UPPER PIVOT BALL	21804	2
6	9050235	BOLT	BOLT M8X55	10093	4
7	9034852	MØTRIK	NUT M14X1.5	21806	2
8	9029653	FJEDERBENSLEJE NEDERST	LOWER PIVOT BALL	21807	2
9	9029654	FJEDERSKÅL	SPRING RETAINER	21808	2
10	9034744	FJEDER	SPRING	26909	2
11	9034745	STØDDÆMPER INDSATS	STRUT BUMPER	26908	2
12	N/A	HOLDER	CLAMP	32104	2
13	9050207	MØTRIK M8	NUT M8	10079	4
14	9030095	FJEDERSKÅL	SPRING RETAINER	21813	2
15	9034753	FJEDREBEN LØS V	STRUT BODY LEFT	26910	1
16	9034755	FJEDREBEN LØS H	STRUT BODY RIGHT	26911	1
17	N/A	LÅSERING	CIRCLIP	26912	2
18	9034759	FORHJULSLEJE	BEARING	26913	2
19	9037437	SMØRENIPPEL	GREASE FITTING	10026	2
20	9030061	BÆREARMS BOLT	BALL JOINT STUD	20512	2
21	9030062	HOLDER BÆREARMS BOLT	BALL JOINT MOUNTING BRACKET	20513	2
22	9029797	GUMMISTØVKAPPE	BALL JOINT CUP	20514	2
23	9050220	BOLT M6	BOLT M6X12	10022	4
24	9050201	SKIVE	WASHER	10019	2
25	9024909	MØTRIK	NUT M10X1.25	27067	2
26	9036799	SPLIT	COTTER PIN 2.5X25	27215	2
27	9030009	BÆREARM VENSTRE	A-ARM LEFT	20518F	1
28	9029800	BÆREARM HØJRE	A-ARM RIGHT	20627F	1
29	9029798	BÆREARMS AKSEL	A-ARM PIVOT SHAFT	20522F	2
30	9033896	MØTRIK	NUT M12X1.25	10136	4
31	9029799	BØSNING	BUSHING	20524F	4
32	9030010	BÆREARMS BESKYTTER VENSTRE	A - ARM SHIELD LEFT	20519	1
33	9030011	BÆREARMS BESKYTTER HØJRE	A - ARM SHIELD RIGHT	20628	1
34	9033898	SKRUE	SCREW M5X12	10001	4

35	9031005	MØTRIK, FLANGE	NUT M10X1.25	10015	2
36	9034175	BOLT	BOLT M10X1.25X55	10016	2
37	9030064	SPORSTANGSENDE A	TIE ROD END A	20503	2
38	N/A	LÅSEMØTRIK	JAM NUT(RIGHT)	10017	2
39	N/A	SPORSTANG MIDTERDEL	TIE ROD	20505	2
40	N/A	LÅSEMØTRIK	JAM NUT(LEFT)	20506	2
41	9030065	SPORSTANGSENDE B	TIE ROD END B	20507	2
42	N/A	BOLT	BOLT M10X1.25X55	10018	2
43	9030063	SPORSTANG KOMPLET	TIE ROD ASSY	20629	2





FIG 6: BAGHJULSOPHÆNG / REAR ARM

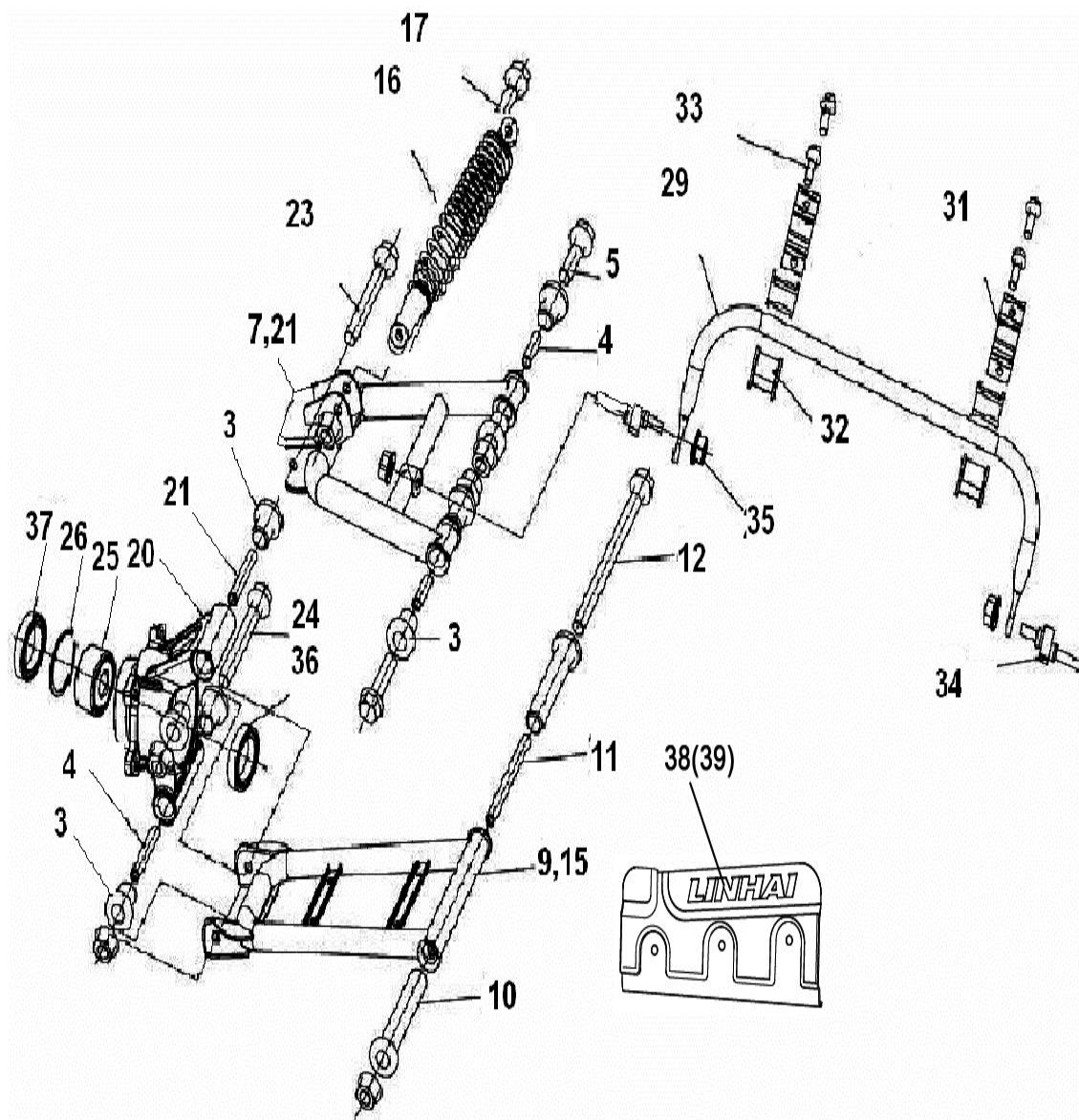


FIG 6: BAGHJULSOPHÆNG / REAR ARM

Ref. no	PL nr / art. no	Varenavn	Art. name	OE no	Antal / pcs
2	9039414	BÆREARM B.H.Ø.	ARM ,L.RR	27324	1
3	9039665	GU.BØS. B. Ø BÆREARM	BUSH 1, ARM ,R.RR	70682	16
4	9039467	BØSNING	COLLAR	70683	4
5	9049216	BOLT	BOLT M10X1.25X80	70684	4
7	9039415	BÆREARM B.V.Ø.	ARM ,R.RR	27325	1
9	9039416	BÆREARM B.V.N.	ARM SET,L.RR	27326	1
10	9039654	GU.BØS. F. Ø BÆREARM	BUSH 2, ARM ,R.RR	70665	4
11	9049302	AFSTANDSBØSNING	COLLAR,ARM	70687	2
12	9049244	BOLT	BOLT M10M1.25M230	70688	2
15	9039417	BÆREARM, B.H.N.	ARM SET,R.RR	27327	1
16	9039450	STØDDÆMPER B. H+V	SHOCK ABSORBER ,RR	27394	2
17	N/A	BOLT	BOLT M10X1.25X52	27206	4
20	9039420	LEJEHUS F. BAGHJUL H.	KNUCKLE,R.RR	27334	1
21	9039670	BØSNING Ø B	COLLAR,RR.KNUCKLE,(UPPER)	70692	2
22	9039671	BØSNING N B	COLLAR,RR.KNUCKLE,(LOWER)	70693	2
23	9039468	BOLT Ø	BOL,TKNUCKLE,(UPPER)	70694	2
24	9039469	BOLT N.	BOL,TKNUCKLE,(LOWER)	70695	2
25	9039662	FORHJULSLEJE	BEARING AU0712	70674	2
26	N/A	LÅSERING	CIRCLIP 58	27217	2
29	9039470	KRÆNGNINGSSTABILISATOR B.	SPRING,RR.STABILIZER	70696	1
31	9039471	HOLDER	HOLDER,STABILIZER BUSH	70697	2
32	9039672	BØSNING F. STABILISATOR	BUSH,RR.STABILIZER	70698	2
33	9050231	BOLT	BOLT M8X20	10081	4
34	9039673	BOLT F. STABILISATOR	LINK,RR. STABILIZER	70699	2
35	9031005	HJULMØTRIK, FOR, FLANGE	NUT M10X1.25	10015	18
36	9039663	PAKDÅSE Y. T. FORHJUL	SEAL 61.5 43 11	70675	2
37	9039664	PAKDÅSE I. T. FORHJUL	SEAL 58 41.2 11	70676	2
38	9041934	BESKYTTER V.	ARM PROTECT, L	70554	1
39	9041935	BESKYTTER H.	ARM PROTECT, R	70556	1

FIG 7: FORHJUL / WHEEL, FRONT

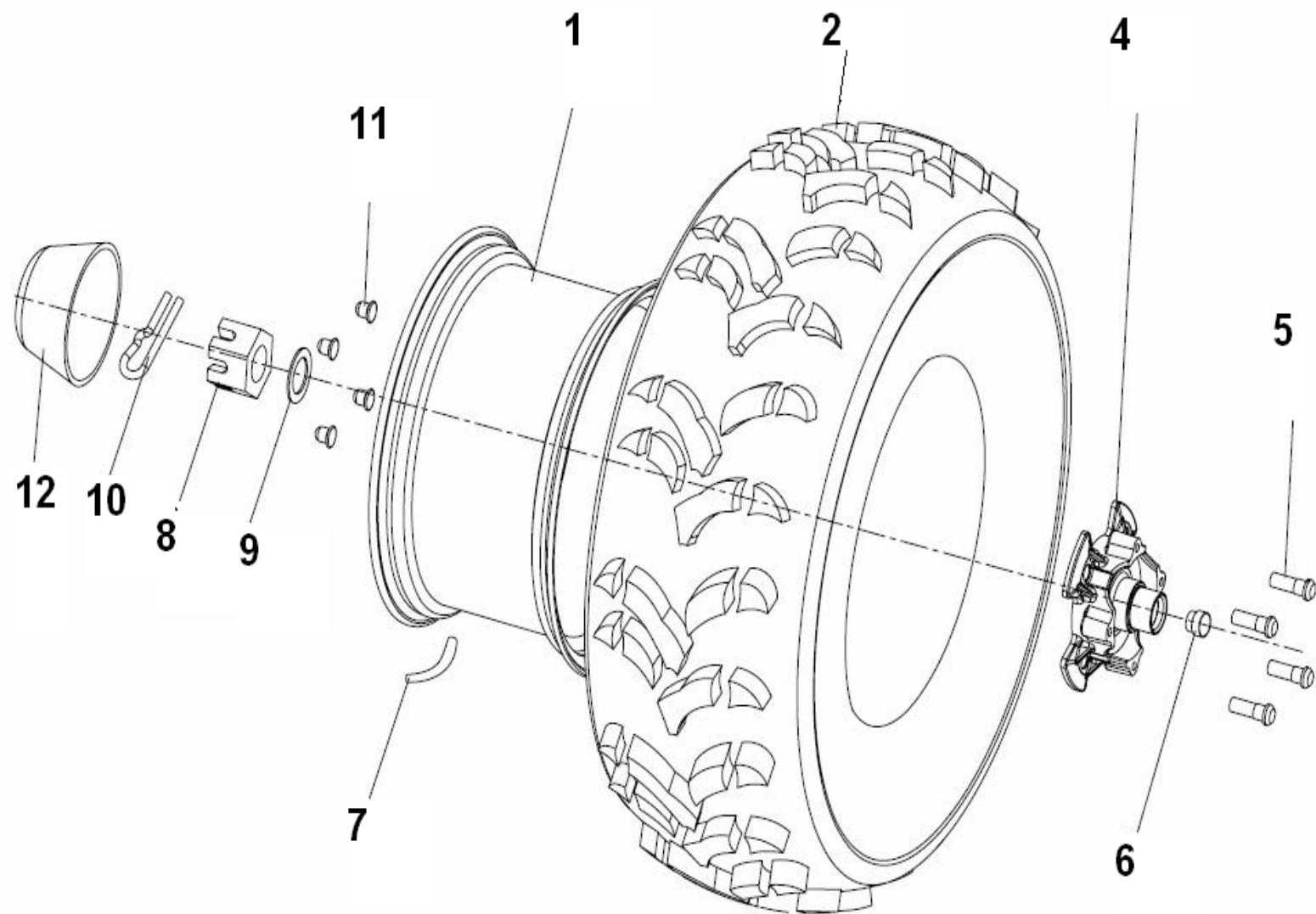


FIG 7: FORHJUL / WHEEL, FRONT

Ref. no	PL nr / art. no	Varenavn	Art. name	OE no	Antal / pcs
1	N/A	FÆLG	WHEEL SUB-ASSY, FR	27330	2
1	9039483	FORFÆLG, ALU.	WHEEL SUB-ASSY, FR(ALUMINIUM)	27330A	2
2	9039418	FORDÆK	TIRE FRONT	27329	2
4	9039409	FORHJULSNAV	HUB ASSY SHRT	27285	2
5	9039472	HJULBOLT	BOLT M12X1.25	70714	16
6	9039474	TÆTNINGSPROP	SEAL	70718	2
7	9039479	VENTIL, SLANGELØS	TR41Z	20807A	
8	9039476	KRONEMØTRIK F. B+F	BOLT SLOTTED	70721	4
9	N/A	SKIVE	WASHER	70722	2
10	9036799	SPLIT	PIN 4X32	26267	2
11	9039520	HJULMØTRIK M12X1,25 oe 70087	NUT, WHEEL	27335	8
12	9039473	NAVKAPSEL, PLAST	CAP, WHEEL CENTER	70717	2

FIG 8: BAGHJUL / WHEEL, REAR

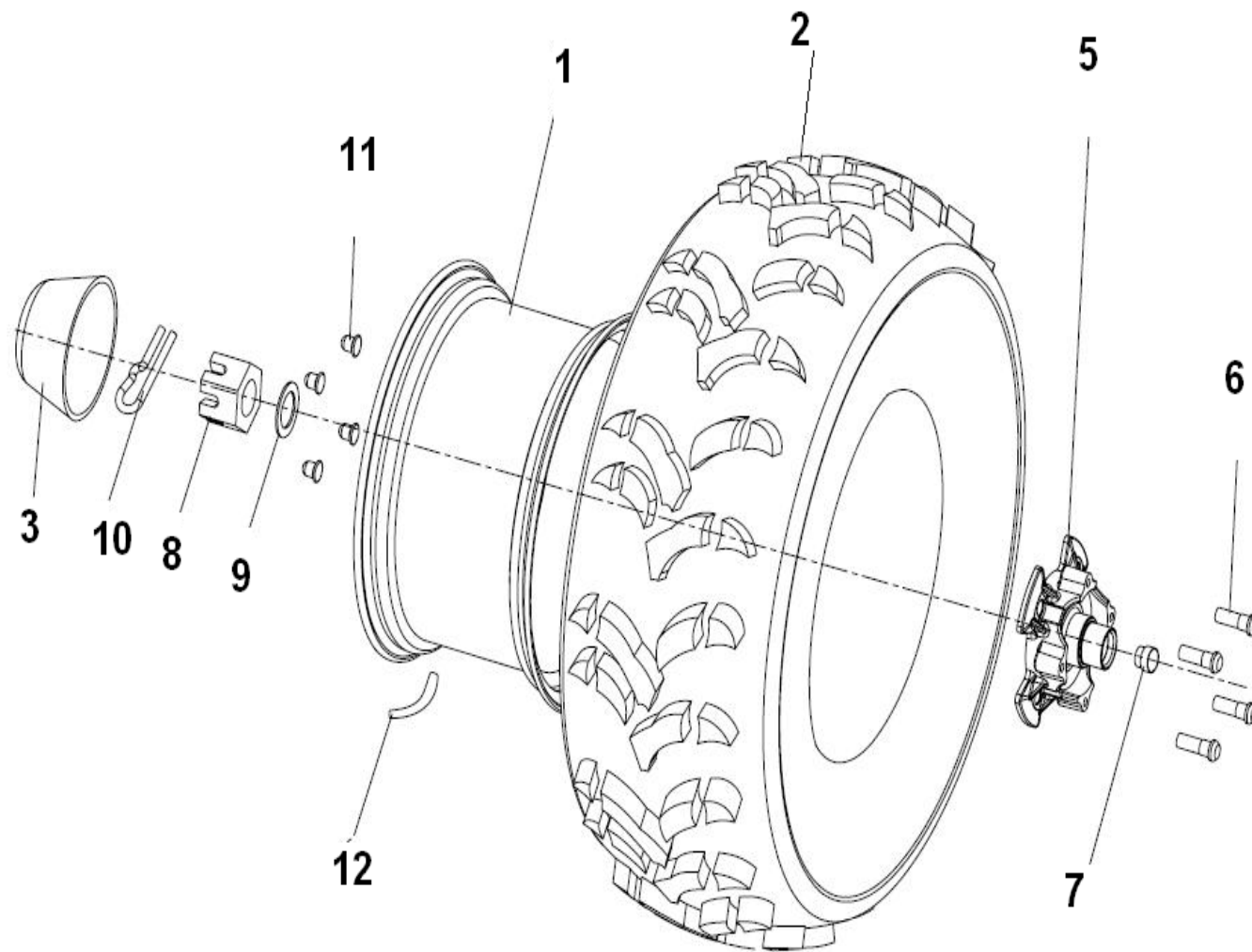


FIG 8: BAGHJUL / WHEEL, REAR

Ref. no	PL nr / art. no	Varenavn	Art. name	OE no	Antal / pcs
1	N/A	FÆLG	WHEEL SUB-ASSY, RR	27331	2
1	9039719	BAGFÆLG	WHEEL SUB-ASSY, RR(ALUMINIUM)	70926	2
2	9039419	BAGDÆK (25X10-12)	TIRE, RR (25X10-12)	27332	2
3	9039473	NAVKAPSEL, PLAST	CAP, WHEEL CENTER	70717	2
5	9039475	BAGHJULSNAV	HUB, RR WHEEL	70719	2
6	9039472	HJULBOLT	BOLT M12X1.25	70714	16
7	9039474	TÆTNINGSPROP	SEAL	70718	4
8	9039476	KRONEMØTRIK F. B+F	BOLT SLOTTED	70721	2
9	N/A	SKIVE	WASHER	70722	2
10	9034985	SPLIT	PIN 4X32	26267	2
11	9039520	HJULMØTRIK M12X1,25 oe70087	NUT, WHEEL	27335	8
8-12	9039479	VENTIL, SLANGELØS	TR412	20807A	4

FIG 9: TRANSMISSION, 2WD / TRANSMISSION, 2WD





FIG 9: TRANSMISSION, 2WD / TRANSMISSION, 2WD

Ref. no	PL nr / art. no	Varenavn	Art. name	OE no	Antal / pcs
1	9029642	PAKDÅSE	SEAL 25X47X8	21201	1
2	9033941	BOLT	BOLT M8X28	10060	17
3	N/A	DÆKSEL	MAIN COVER	21203	1
3	9033953	DÆKSEL - HD KOBLING	MAIN COVER (USE WITH HIGH-POWER CLUTCH)	21203B	1
4	9033895	SPLIT	DOWEL PIN	21104	2
5	9033978	KUGLELEJE	BEARING 6205c3	10061	3
6	N/A	AKSEL 29T	INPUT SHAFT 29T	21206	1
6	N/A	AKSEL 27T	INPUT SHAFT 27T (FOR AUSTRALIA)	21206A	1
6	9033990	AKSEL 29T - HD KOBLING	INPUT SHAFT (USE WITH HIGH-POWER CLUTCH) 29T	21206B	1
7	9042315	KÆDE	CHAIN	21207	1
8	9034018	TANDHJUL 16T	GEAR 16T	21208	1
9	9034024	KUGLELEJE	BEARING 6204	10062	3
10	9033390	TANDHJUL 35T	GEAR, HELICAL 35T	21210	1
11	9033931	LÅSESTIFT	INTERLOCK PIN	21211	2
12	9033932	LÅSEBESLAG	INTERLOCK BRACKET	21212	1
13	9042318	FJEDER	SPRING	21213	1
14	9033931	LÅSESTIFT	INTERLOCK PIN	21211	1
15	9033898	SKRUE	SCREW M5X12	10001	2
16	9042319	SKIVE	SPACER	21216	1
17	9042320	TANDHJUL 31T	GEAR 31T	21217	1
17	N/A	TANDHJUL 32T	GEAR 32T (FOR AUSTRALIA)	21217A	1
18	9030970	NÅLELEJE	NEEDLE BEARING 25	21218	1
19	9030946	TRYKSKIVE	THRUST WASHER	21219	1
20	9033942	RING	SNAP RING	10064	1
21	9030948	SKIFTEMUFFE	DOG GEAR	21221	1
22	9033944	RING	SNAP RING	10065	1
23	9033945	SKIVE	THRUST WASHER	21223	1
24	9033946	KÆDEHJUL 24T	SPROCKET 24T	21224	1
25	9033947	NÅLELEJE	NEEDLE BEARING 25	21225	1
26	9033945	SKIVE	THRUST WASHER	21223	1
27	9033949	AKSEL	SHAFT	21327	1
28	9030970	NÅLELEJE	NEEDLE BEARING 25	21218	1
29	9033951	TANDHJUL 35T	GEAR 35T	21329	1
30	9033945	SKIVE	THRUST WASHER	21223	1
31	9033942	RING	SNAP RING	10064	1
32	9033956	SKIVE	ENGAGEMENT	21332	1
33	9033957	SKIVE	THRST WASHER	21333	1

34	9050207	MØTRIK	NUT M8	10067	2
35	9050202	SKIVE	WASHER 8	10068	2
36	9030968	FORBINDELSE	BELLCRANK	21336	2
37	9033961	RING	SNAP RING	10069	2
38	9033962	SKIVE	WASHER	21338	2
39	9033963	UDLUFTNING	VENT TUBE	21339	1
40	9033966	FITTING	VENT TUBE FITTING	21340	1
41	9033967	SKIFTEGAFFEL	SHIFT FORK HIGH/REVERSE	21341	1
42	9033968	SKRUE	SCREW M4	10007	8
43	9033969	SKIVE	WASHER 4	10071	8
44	9029643	GEARINDIKATOR KONTAKT	GEAR INDICATOR SWITCH	21344	1
45	9033971	GEARHUS	GEARCASE,RH	21345A	1
45	9033972	GEARHUS M. SPEEDSENSOR	GEARCASE,RH (USE WITH SPEED SENSOR)	21345B	1
46	9029642	PAKDÅSE	SEAL 25X47X8	21201	1
47	9029644	OLIEPIND	DIPSTICK	21475	1
48	N/A	SKRUE	SCREW	10219	1
49	9033976	KUGLELEJE	BEARING 6204C3	10063	1
50	9042331	TANDHJUL 46T	GEAR HELICAL 46T	21350	1
51	9033980	SKRUE	SCREW M6X10	10073	4
52	9030964	LÅSEPLADE	BEARING RETAINER PLATE	21351	1
53	9033982	RING	SNAP RING	21453	1
54	9033983	KUGLELEJE	BEARING 6305ST	10074	1
55	9033984	SPIDSHJULSAKSEL 10T	PINION SHAFT 10T	21455	1
56	9033985	SKIFTEGAFFEL	SHIFT FORK LOW	21456	1
57	9030676	GEAR KONTAKT	GEAR INDICATOR SWITCH	21457	1
58	9033987	RING	SNAP RING	10075	2
59	9033988	SKIFTEARM	SHIFT ROD LOW	21459	1
60	9033991	SKIFTEARM	SHIFT ROD HIGH/REVERSE	21460	1
61	9033992	SKIVE	THRUST WASHER	21461	1
62	9030955	KRONHJUL	GEAR	21462	1
63	9030956	UDGANGSAKSEL	SHAFT REAR OUTPUT	21463	1
63A	9039571	UDGANGSAKSEL	SHAFT REAR OUTPUTA (USE WITH SPEED SENSOR)	70354	1
64	9033997	KNAP	THRUST BUTTON	21464	1
65	9030957	SHIM 1	SHIM 1	21465	1
66	9033999	SHIM	SHIM 2	21107	1
67	9033895	NAGLE	DOWEL PIN	21104	1
68	9034001	DÆKSEL	COVER	21468	1
69	9030959	BUNDPROP	DRAIN SCREW	21469	1
70	9034005	SKIVE	WASHER	21470	1

72	9030953	OLIEPLADE	OIL PLATE	21473	1
73	9029773	O-RING 18X2.65	O RING 18X2.65	10122	1
74	9034009	KÆDEHJUL	SPROCKET	21477	1
75	9029714	O-RING	O RING 14X2.65	10123	4
77	9034012	KRAVE	COLLAR	25511	1
78	9034014	O-RING	O RING 50X1.5	25512	1
79	9039509	HASTIGHEDSCENSOR	SPEED SENSOR COVER	25513	1
80	9039405	PAKDÅSE	SEAL30X40X5	27216	1
81	9034021	BOLT	BOLTM6X15	10010	3
82	9034022	CLAMP	CLAMP 24	10164	1

FIG 10: TRANSMISSION, 4WD / TRANSMISSION, 4WD

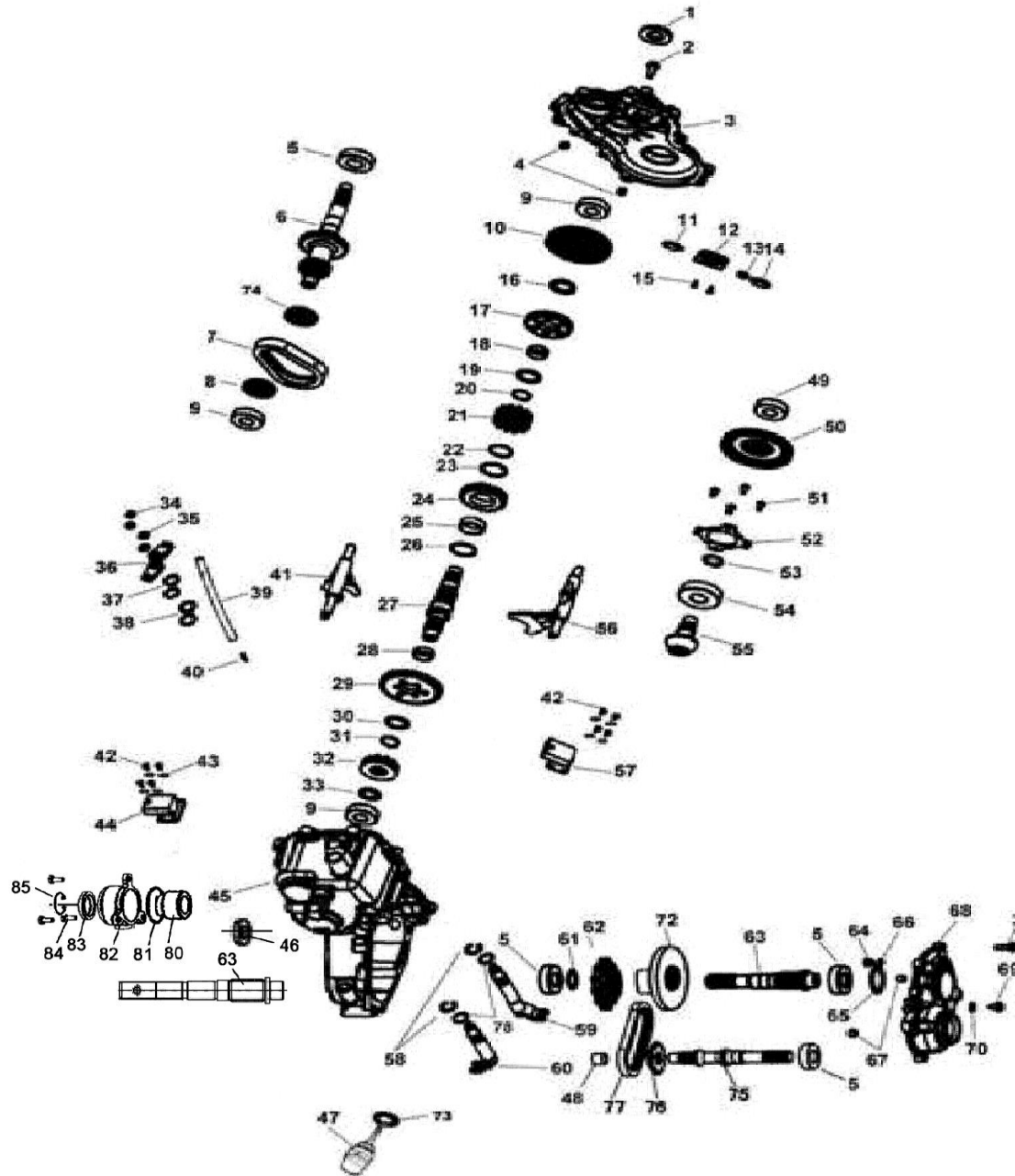


FIG 10: TRANSMISSION, 4WD / TRANSMISSION, 4WD

Ref. no	PL nr / art. no	Varenavn	Art. name	OE no	Antal / pcs
1	9029642	PAKDAÅSE	SEAL 25X47X8	21201	1
2	9033941	BOLT	BOLT M8X28	10060	17
3	N/A	DÆKSEL	MAIN COVER	21203	1
3	9033953	DÆKSEL - HD KOBLING	MAIN COVER (USE WITH HIGH-POWER CLUTCH)	21203B	1
4	9033895	NAGLE	DOWEL PIN	21104	2
5	9033978	KUGLELEJE	BEARING 6205c3	10061	4
6	N/A	AKSEL 29T	INPUT SHAFT	21206	1
6	N/A	AKSEL 27T	INPUT SHAFT 27T (FOR AUSTRALIA)	21206A	1
6	9033990	AKSEL 29T - HD KOBLING	INPUT SHAFT (USE WITH HIGH-POWER CLUTCH)	21206B	1
7	9042315	KÆDE	CHAIN	21207	1
8	9043018	TANDHJUL 16T	GEAR 16T	21208	1
9	9034024	KUGLELEJE	BEARING 6204	10062	3
10	9042317	TANDHJUL 35T	GEAR,HELICAL 35T	21210	1
11	9033931	LÅSESTIFT	INTERLOCK PIN	21211	2
12	9033932	LÅSEBESLAG	INTERLOCK BRACKET	21212	1
13	9033933	FJEDER	SPRING	21213	1
14	9033931	LÅSESTIFT	INTERLOCK PIN	21211	1
15	9033898	SKRUE	SCREW M5X12	10001	2
16	9042319	SKIVE	SPACER	21216	1
17	9042320	TANDHJUL 31T	GEAR 31T	21217	1
17	N/A	TANDHJUL 32T	GEAR 32T (FOR AUSTRALIA)	21217A	1
18	9030970	NÅLELEJE	NEEDLE BEARING 25	21218	1
19	9030946	TRYKSKIVE	THRUST WASHER	21219	1
20	9033942	RING	SNAP RING	10064	1
21	9030948	SKIFTEMUFFE	DOG GEAR	21221	1
22	9033944	RING	SNAP RING	10065	1
23	9033945	SKIVE	THRUST WASHER	21223	1
24	9033946	KÆDEHJUL 24T	SPROCKET 24T	21224	1
25	9033947	NÅLELEJE	NEEDLE BEARING 25	21225	1
26	9033945	SKIVE	THRUST WASHER	21223	1
27	9033949	AKSEL	SHAFT	21327	1
28	9030970	NÅLELEJE	NEEDLE BEARING 25	21218	1
29	9033951	TANDHJUL 35T	GEAR 35T	21329	1
30	9033945	SKIVE	THRUST WASHER	21223	1
31	9033942	RING	SNAP RING	10064	1
32	9033956	SKIVE	ENGAGEMENT	21332	1
33	9033957	SKIVE	THRST WASHER	21333	1

34	9033958	MØTRIK	NUT M8	10067	2
35	N/A	SKIVE	WASHER 8	10068	2
36	9030968	FORBINDELSE	BELLCRANK	21336	2
37	9033961	RING	SNAP RING	10069	2
38	9033968	SKIVE	WASHER	21338	2
39	9033963	UDLUFTNING	VENT TUBE	21339	1
40	9033966	FITTING	VENT TUBE FITTING	21340	1
41	9033967	SKIFTEGAFFEL	SHIFT FORK HIGH/REVERSE	21341	1
42	N/A	SKRUE	SCREW M4	10007	8
43	N/A	SKIVE	WASHER 4	10071	8
44	9029643	GEARINDIKATOR KONTAKT	GEAR INDICATOR SWITCH	21344	1
45	9033971	GEARHUS	GEARCASE,RH	21345A	1
45	9033972	GEARHUS M. SPEEDSENSOR	GEARCASE,RH (USE WITH SPEED SENSOR)	21345B	1
46	9029642	PAKDÅSE	SEAL 25X47X8	21201	1
47	9029644	OLIEPIND	DIPSTICK	21475	1
48	9034068	BØSNIING	BUSHING	10275	1
49	9033976	KUGLELEJE	BEARING 6204C3	10063	1
50	9042331	TANDHJUL 46T	GEAR HELICAL 46T	21350	1
51	9033980	SKRUE	SCREW M6X10	10073	4
52	9030964	LÅSEPLADE	BEARING RETAINER PLATE	21351	1
53	9033982	RING	SNAP RING	21453	1
54	9033983	KUGLELEJE	BEARING 6305ST	10074	1
55	9033984	SPIDSHJULSAKSEL 10T	PINION SHAFT 10T	21455	1
56	9033985	SKIFTEGAFFEL	SHIFT FORK LOW	21456	1
57	9030676	GEAR KONTAKT	GEAR INDICATOR SWITCH	21457	1
58	9033987	RING	SNAP RING	10075	2
59	9033988	SKIFTEAKSEL	SHIFT ROD LOW	21459	1
60	9033991	SKIFTEAKSEL	SHIFT ROD HIGH/REVERSE	21460	1
61	9033992	SKIVE	THRUST WASHER	21461	1
62	9042339	KÆDEHJUL 12T	SPORCKET 12T	21483	1
63	9030956	UDGANGSAKSEL	SHAFT REAR OUTPUT	21463	1
63B	9039571	UDGANGSAKSEL	SHAFT REAR OUTPUTA (USE WITH SPEED SENSOR)	70354	1
64	9033997	KNAP	THRUST BUTTON	21464	1
65	9030957	SHIM 1	SHIM 1	21465	1
66	9033999	SHIM 2	SHIM 2	21107	1
67	9033982	NAGLE	DOWEL PIN	21104	1
68	9034092	DÆKSEL	COVER	21468T	1
69	9030959	BUNDPROP	DRAIN SCREW	21469	1
70	9034005	SKIVE	WASHER	21470	1

72	9030955	KRONHJUL	GEAR	21462	1
73	9029773	O-RING 18X2.65	O RING 18X2.65	10122	1
74	9034009	KÆDEHJUL	SPROCKET	21477	1
75	9034100	UDGANGSAKSEL	SHAFT FRONT OUTPUT	21480	1
76	9034101	KÆDEHJUL 12T	SPORCKET 12T	21481	1
77	9030677	KÆDE	CHAIN	21482	1
78	9029714	O-RING	O RING 14X2.65	10123	4
80	9034106	KRAVE	COLLAR	25511	1
81	9034014	O-RING	O RING 50X1.5	25512	1
82	9039509	HASTIGHEDSCENSOR	SPEED SENSOR COVER	25513	1
83	9039405	PAKDÅSE	SEAL30X40X5	27216	1
84	9034021	BOLT	BOLTM6X15	10010	3
85	9024022	CLAMP	CLAMP 24	10164	1

FIG 11: BESLAG FOR GEARKASSE / SUPPORT BRACKET

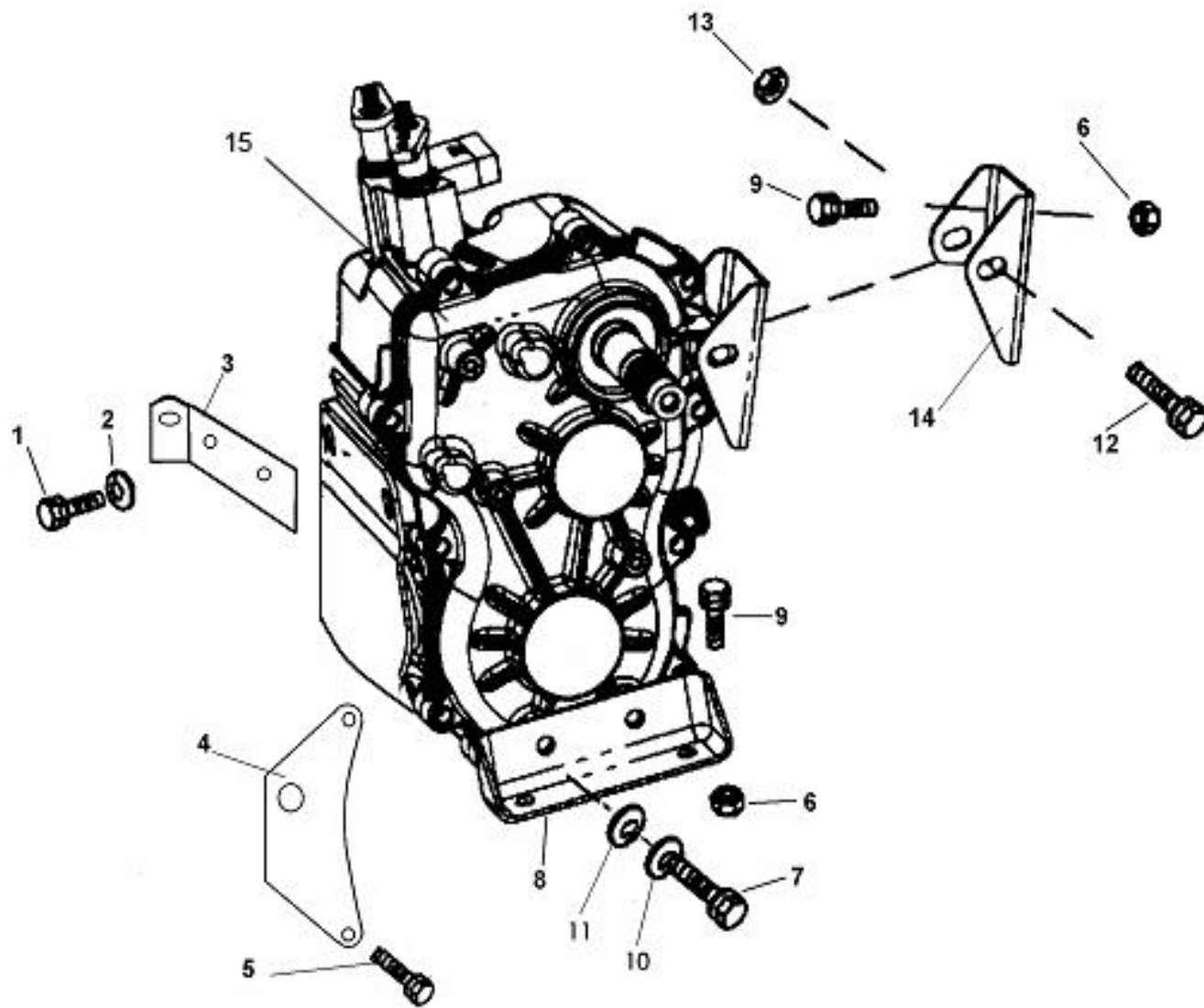




FIG 11: BESLAG FOR GEARKASSE / SUPPORT BRACKET

Ref. no	PL nr / art. no	Varenavn	Art. name	OE no	Antal / pcs
1	9034119	BOLT	BOLT M12X20	10076	2
2	9033818	SKIVE	WASHER 12	10054	2
3	N/A	BESLAG H.	TRANSMISSION MOUNTING BRACKET RIGHT	27292	1
4	9024132	BESLAG V.	TRANSMISSION MOUNTING BRACKET LEFT	21504	1
5	9050232	BOLT	BOLT M8X30	10078	3
6	9050207	MØTRIK	NUT M8	10079	3
7	9033910	BOLT	BOLT M10X25	10028	2
8	9033904	BESLAG, BAG	TRANSMISSION MOUNTING BRACKET BOTTOM	21508	1
9	9050231	BOLT	BOLT M8X20	10081	3
10	9050203	SKIVE	WASHER 10	10027	2
11	9033907	SKIVE	WASHER	10019	2
12	9033918	BOLT	BOLTM10X1.25X70	10084	1
13	9031005	MØTRIK	NUT M10	10015	1
14	9033916	BESLAG	TRANSMISSION MOUNTING BRACKET REAR	21514	1
15	9029571	TRANSMISSION, 2WD	TRANSMISSION AS(2WD, F/ SPEED SENSOR, F/ HI-POWER CLUTCH)	21515C	1
15	N/A	TRANSMISSION, 4WD	TRANSMISSION AS(4WD, F/ SPEED SENSOR, F/ HI-POWER CLUTCH)	21515SC	1

FIG 12: GEARSKIFTE / SHIFT ROD

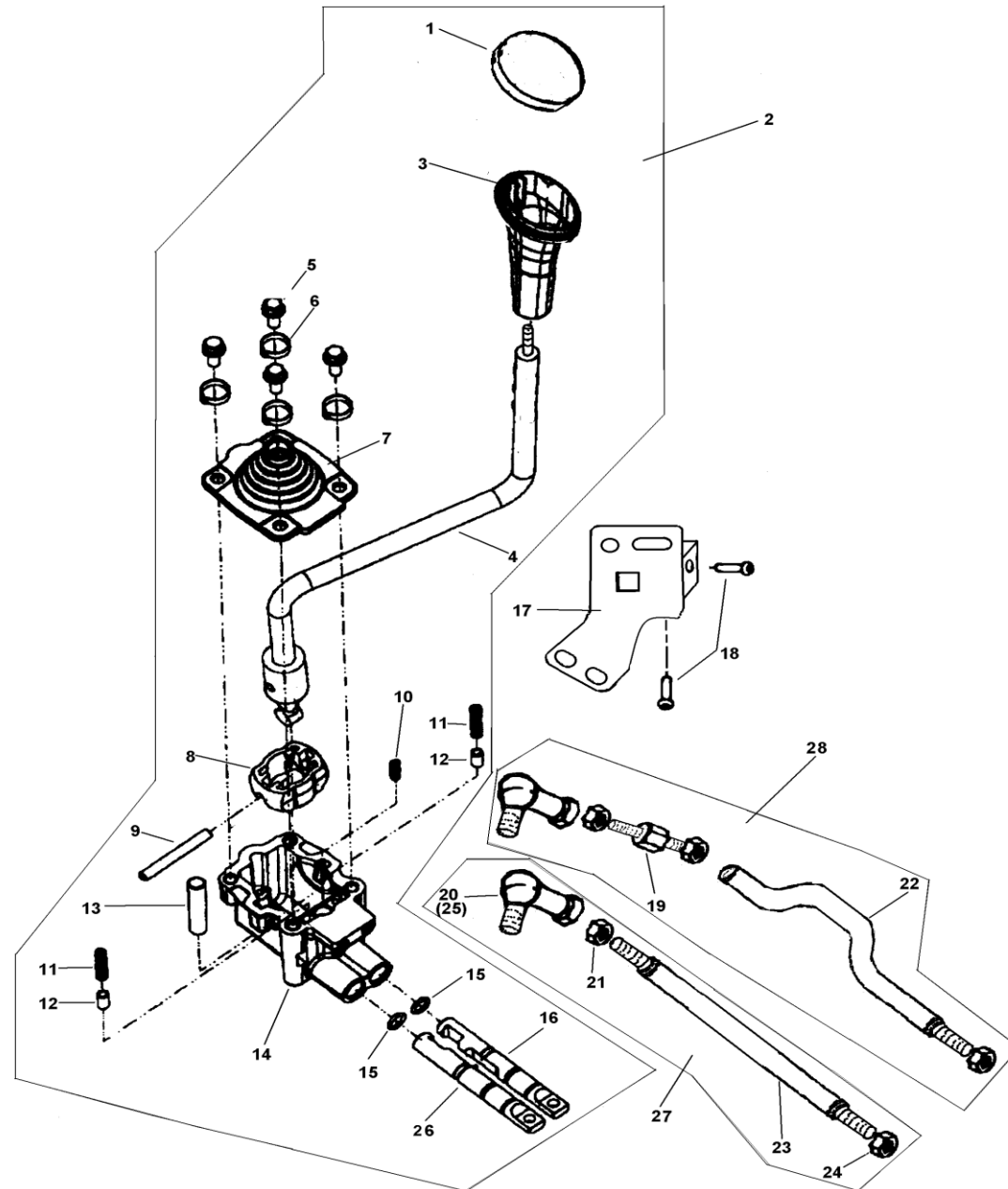


FIG 12: GEARSKIFTE / SHIFT ROD

Ref. no	PL nr / art. no	Varenavn	Art. name	OE no	Antal / pcs
1	9030028	GEARLABEL	LABLE	21601A	1
2	9039480	GEARSKIFT KPL.	SHIFTER ASSY MOUNTING	21729B	1
3	9029648	GEARKNOB	KNOB	21603A	1
4	N/A	GEARSTANG	SHIFT LEVER	21604A	1
5	9050220	BOLT	BOLT M6X12	10086	4
6	9050201	SKIVE	WASHER 6	10006	4
7	9029717	GUMMIMANCHET	BOOT	21607	1
8	9030029	SKIFTEKULISSE	PLASTIC SPHERE	21608A	1
9	N/A	NAGLE	GROOVE PIN	21609A	1
10	N/A	FJEDER	CENTERING SPRING	21610A	1
11	N/A	FJEDER	DETENT SPRING	21611A	2
12	N/A	LÅS	DETENT BULLET	21612A	2
13	N/A	STIFT	DOWEL PIN	21613A	1
14	N/A	SKIFTERHUS	SHIFFER HOUSING	21614A	1
15	9049852	O-RING	O-RING	21615	2
16	N/A	SKIFTEAKSEL, HØJ/BAK	SELECTOR SLIDES HIGH/REVERSE	21616A	2
17	N/A	MONTERINGSBESLAG	SHIFTER MOUNTING BRACKET	21617A	1
18	9050220	BOLT	BOLT M6X15	10010	4
19	N/A	KOBLING	SHIFT ROD COUPLER	21619	1
20	9029715	GEVINDSPINDEL	SHIFT ROD END CW	21620	2
21	9033846	MØTRIK	JAM NUT M6 CW	10090	3
22	N/A	STANG	SHIFT ROD HIGH/REVERSE	21622	1
23	N/A	STANG	SHIFT ROD LOW	27288	1
24	N/A	MØTRIK LINKS	JAM NUT M6 CCW	21624	2
25	9030801	KUGLEHOVEDE M6	SHIFT ROD END CCW	21625	2
26	9029645	SKIFTEAKSEL LAV	SELECTOR SLIDES LOW	21626	1
27	9039410	FORBINDELSE, LIGE F. GEARSKIFT	SHIFTER MOUNTING ROD A	27287	1
28	9029647	SKIFTERAKSEL B KOMPLET	SHIFTER MOUNTING ROD B	21728	1

FIG 13: BAGTØJ / REAR GEARBOX

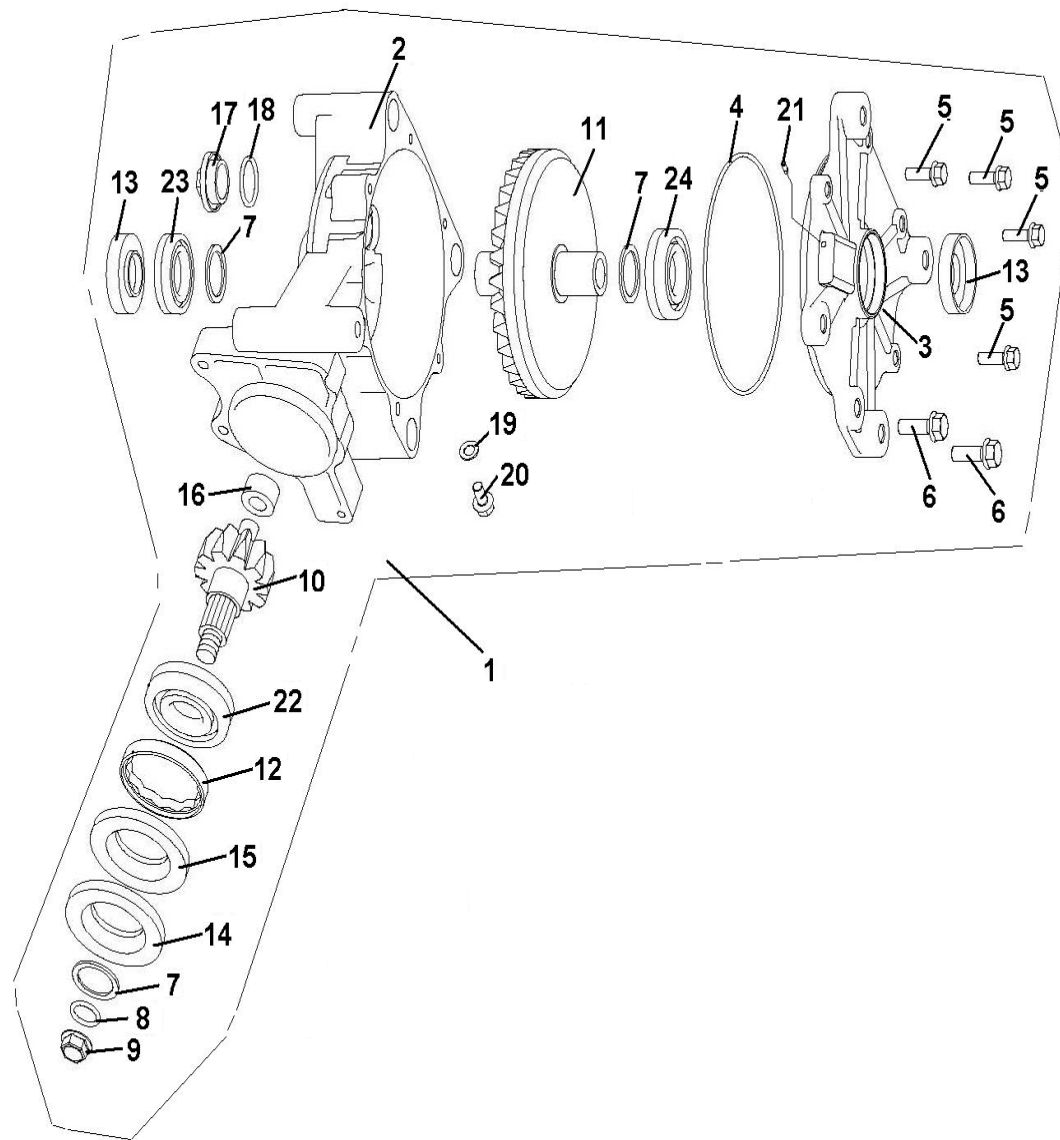


FIG 13: BAGTØJ / REAR GEARBOX

Ref. no	PL nr / art. no	Varenavn	Art. name	OE no	Antal / pcs
1	9039455	BAGTØJ KPL.	REAR GEAR-BOX ASSY	70286	1
2	N/A	BAGTØJSHUS	DRIVE HOUSING	70291	1
3	N/A	SIDESÆKSEL	OUTPUT COVER	70292	1
4	9039459	O-RING	O-RING 160X2.65	70293	1
5	9033941	BOLT M8X28	BOLT M8X28	10060	4
6	N/A	BOLT M10X28X1,25	BOLT M10X1.25X28	27207	2
7	N/A	SKIVE 31	WASHER 31	70294	3
8	9039460	O-RING	O-RING 20X3	70295	1
9	9050217	MØTRIK M 16X1,50	NUT M16X1.5	70296	1
10	N/A	SPIDSHJULSAKSEL	OUTPUT AXLE,RING REAR GEAR-BOX	70297	1
11	N/A	KRONHJUL	INPUT AXLE,RING REAR GEAR-BOX	70298	1
12	N/A	LÅSEMØTRIK	LOCK NUT	70299	1
13	9039456	PAKDÅSE	SEAL 30X55X11	70288	2
14	9039457	PAKDÅSE	SEAL 38X85X8	70289	1
15	9039458	PAKDÅSE	SEAL 38X80X8	70290	1
16	9039454	LEJE	BEARING 15NQ2815	44104	1
17	9034543	PÅFYLDNINGSPROP	OIL SCREEN CAP	24305	1
18	9039478	O-RING	O-RING	1309280	1
19	9031007	SKIVE	WASHER	20818	1
20	9031006	HJULBOLT	OIL PLUG	20817	1
21	9033966	UDLUFTNINGS FITTING	TUBE,REAR GEAR-BOX BREATHER	21340	1
22	9038586	LEJE	BEARING 6306	27210	1
23	9038553	LEJE	BEARING 6006	10202	1
24	N/A	LEJE	BEARING	26240	1

FIG 14: TRÆKAKSEL, FOR / FRONT DRIVE AXLE

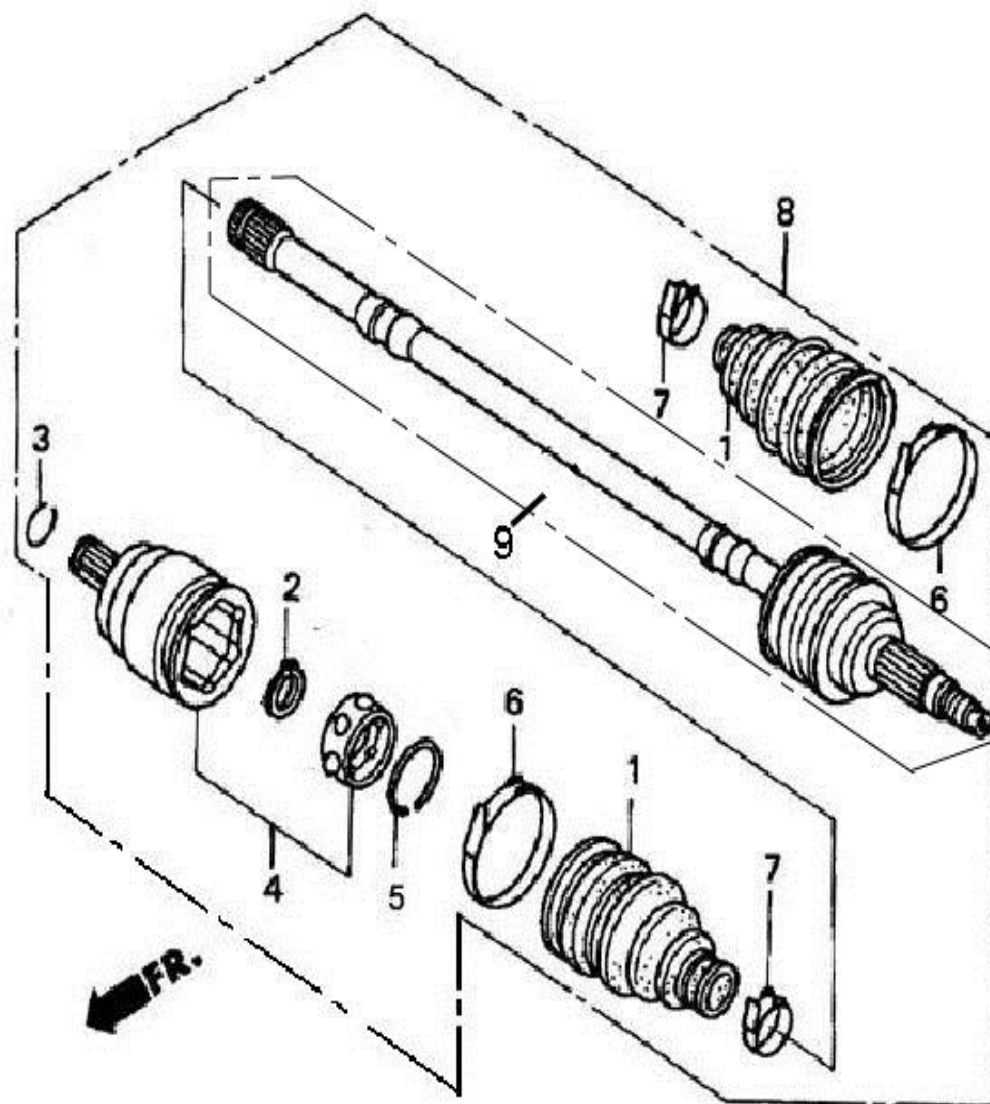


FIG 14: TRÆKAKSEL, FOR / FRONT DRIVE AXLE

Ref. no	PL nr / art. no	Varenavn	Art. name	OE no	Antal / pcs
1	9029788	MANCHET YDERST	OUTER BOARD BOOT	24403	4
2	9033806	LÅSERING	CIRCLIP 20	24407	2
3	9033807	FJEDERLÅS	ATOPPER RING	24405	2
4	9030000	DRIVAKSELLED INDERST	JOINT, INBOARD	25244	2
5	9033809	FJEDERLÅS	STOPPER RING	24409	2
6	9030058	SPÆNDEBÅND B	BOOT BAND B	24404	4
7	9030059	SPÆNDEBÅND A	BOOT BAND A	24402	4
8	9039422	TRÆKAKSEL F. H+V	FRONT DRIVE AXLE	27346	2

FIG 15: TRÆKAKSEL, BAG / REAR DRIVE AXLE

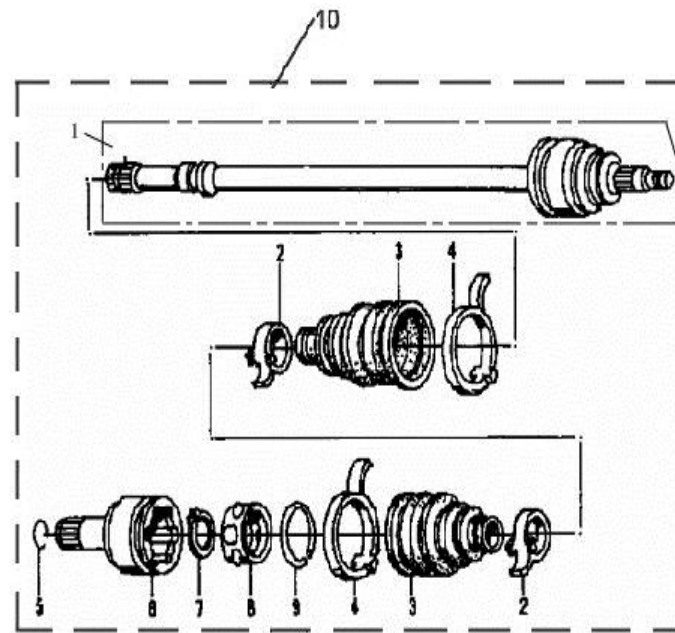




FIG 15: TRÆKAKSEL, BAG / REAR DRIVE AXLE

Ref. no	PL nr / art. no	Varenavn	Art. name	OE no	Antal / pcs
1	N/A		DRIVE AXLE/OUTER CV JOINT ASSEMBLY	27393	2
2	9030059	SPÆNDEBÅND A	BOOT BAND "A"	24402	1
3	9029788	MANCHET YDERST	OUTER BOARD BOOT	24403	1
4	9030058	SPÆNDEBÅND B	BOOT BAND "B"	24404	1
5	9039519	LÅSERING F. KARDAN	STOPPER RING B	70084	1
6	N/A		OUTER CV JOINT	70360	1
7	9033806	LÅSERING	CIRCLIP 20	24407	1
8	N/A		STEEL BALL BRACKET STEEL BALL AND GEAR WHEEL	24411	2
9	9033809	FJEDERLÅS	STOPPER RING A	24409	1
10	9039423	TRÆKAKSEL B. H+V	REAR DRIVE AXLE	27347	1

FIG 16: TRÆKAKSEL, BAGUD / REAR KNUCKLE ASSY

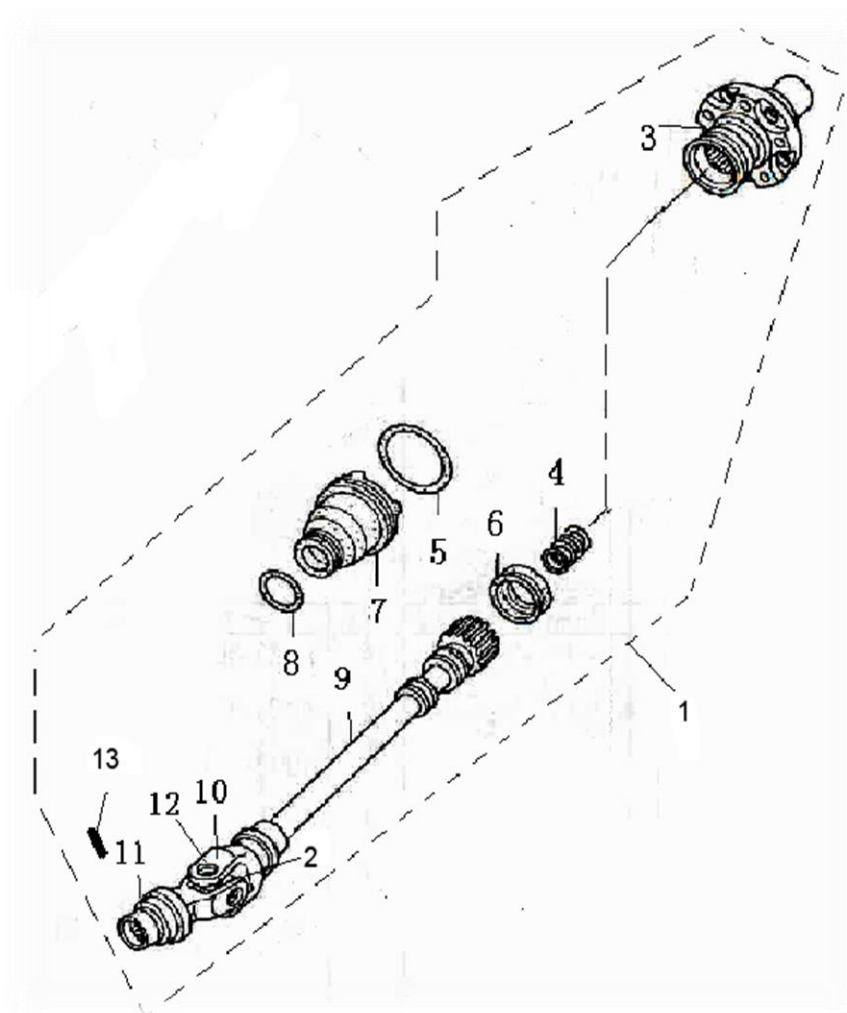


FIG 16: TRÆKAKSEL, BAGUD / REAR KNUCKLE ASSY

Ref. no	PL nr / art. no	Varenavn	Art. name	OE no	Antal / pcs
1	9039560	KARDAN KPL. BAGUD	REAR KNUCKLE	70303	1
2	N/A		U-JOINT CROSS	70056	1
3	N/A		JOINT, INBOARD	70302	1
4	N/A		SPRING,REAR KNUCKLE	70304	1
5	9039461	LÅS F. MANCHET	SEAL	70305	1
6	9039462	TÆTNINGSRING	BAND, OUTBOARD BOOT	70306	1
7	9039561	MANCHETSÆT	BOOT SET	70307	1
8	9039463	SPÆNDEBÅND LILLE	BAND, SHAFT BOOT	70308	1
9	N/A		SPLING AXLE	27310	1
10	N/A		LINK FORK	70310	1
11	N/A		SLIP JOINT	70311	1
12	N/A		CIRCLIP 20	27214	4
13	N/A		KERBSTIFTE	20716	1

FIG 17: STYRAKSEL / STEERING COLUMN

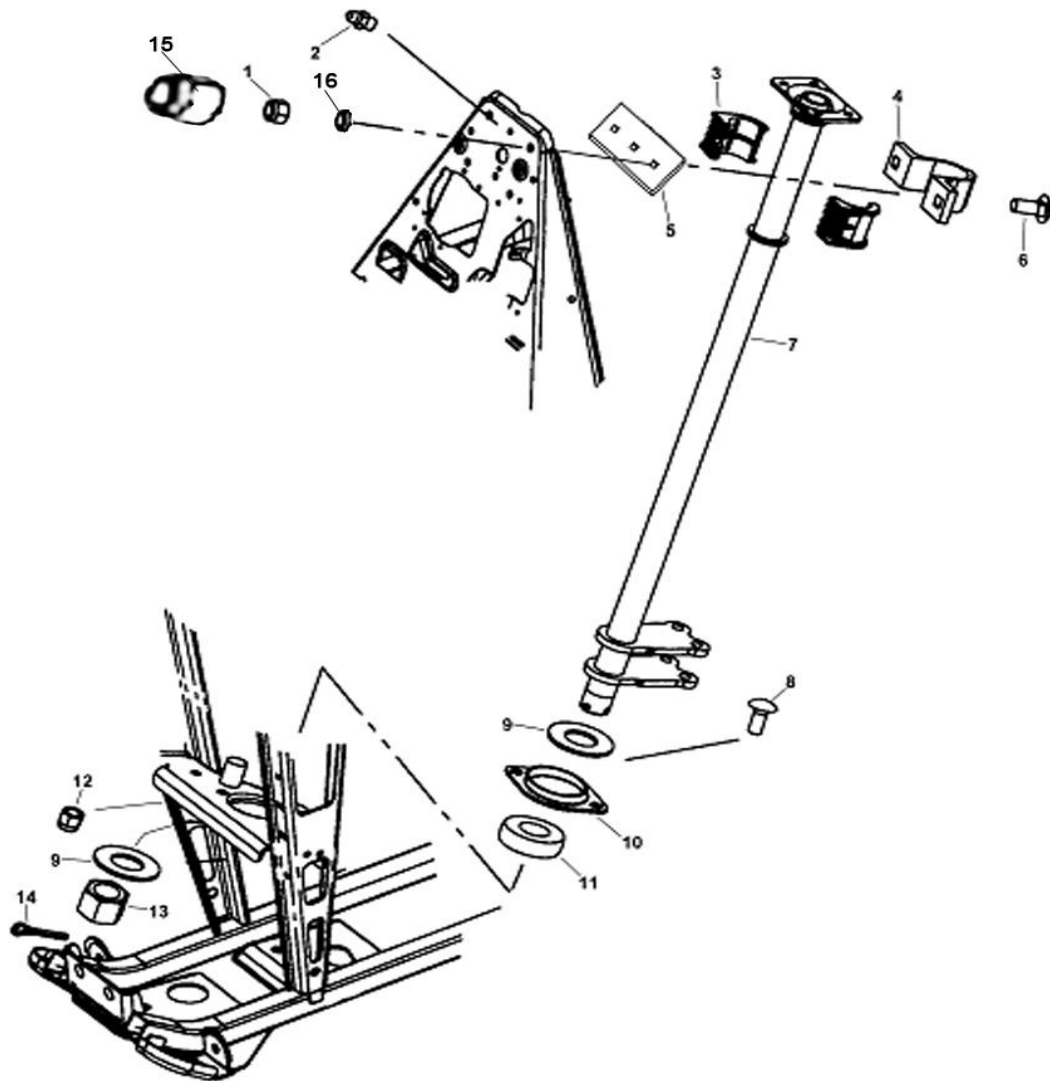


FIG 17: STYRAKSEL / STEERING COLUMN

Ref. no	PL nr / art. no	Varenavn	Art. name	OE no	Antal / pcs
1	9050207	MØTRIK	NUT M8	10079	2
2	9037437	FEDTNIPPEL	GREASE FITTING	10026	1
3	9029719	BØSNING	BUSHING	21903	2
4	9036381	U-BØJLE	STEERING CLAMP REAR	21904	1
5	9038948	HOLDER PLADE	STEERING CLAMP FRONT	21905	1
6	N/A	BOLT	BOLT	21906	2
7	9030739	STYRAKSEL 608 MM	STEERING COLUMN (608 MM LENGTH)	25111	1
8	N/A	BOLT	BOLT	21906	2
9	9057189	SKIVE	WASHER	21909	2
10	9029656	LEJEHOLDER	BEARING RETAINER	21910	1
11	9029657	LEJE	BEARING	21911	1
12	9050207	MØTRIK M8	NUT M8	10079	2
13	9029658	KRONEMØTRIK 24X2	STEERING COLUMN RETAINER NUT	10100	1
14	9036799	SPLIT	COTTER PIN	10101	1
15	N/A	BESKYTTELSE	PROTECT COVER	27256	2
16	9033861	FJEDERSKIVE	SPRING WASHER	10106	2

FIG 18: EL-DELE / ELECTRICAL SYSTEM

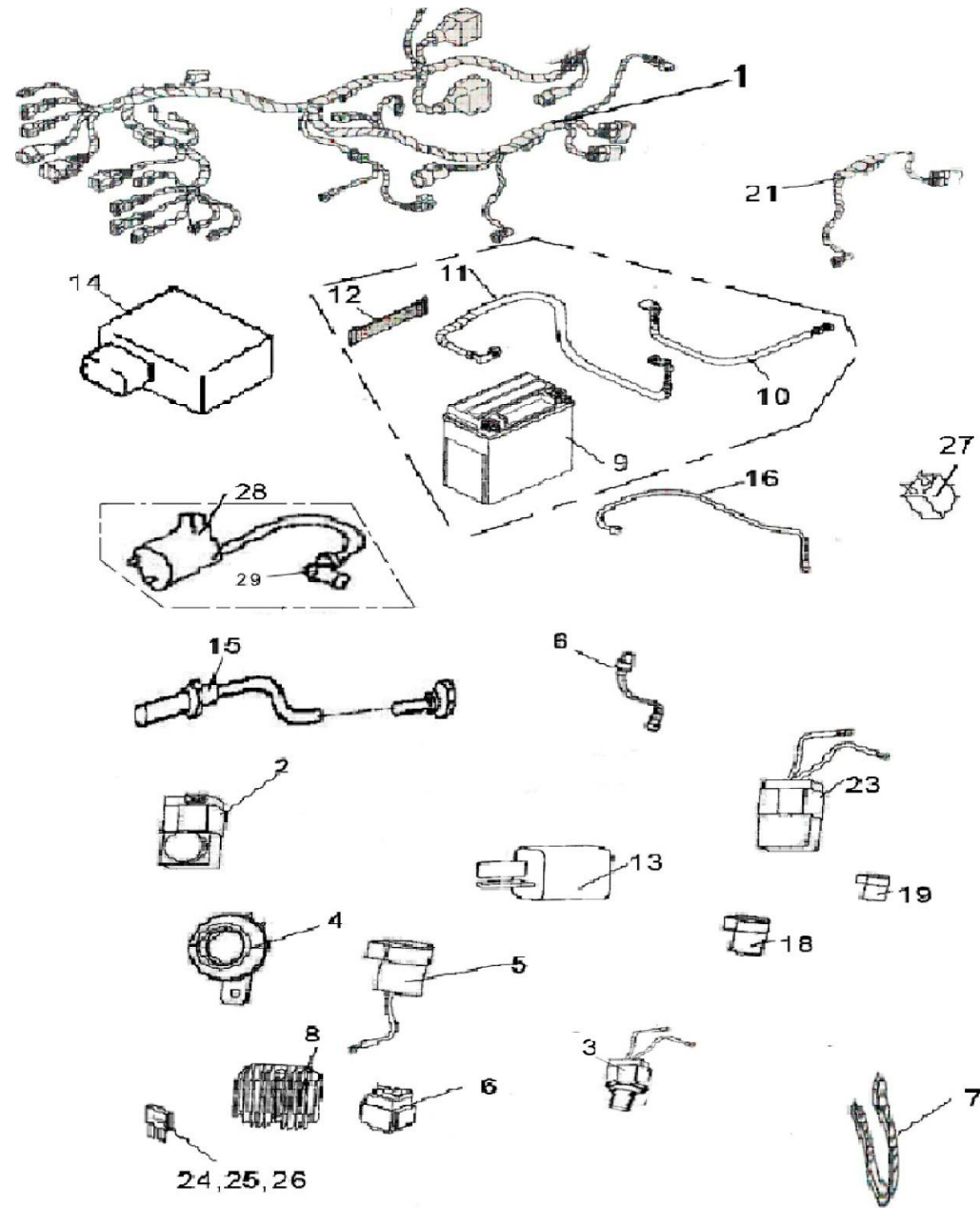


FIG 18: EL-DELE / ELECTRICAL SYSTEM

Ref. no	PL nr / art. no	Varenavn	Art. name	OE no	Antal / pcs
1	9039431	LEDNINGSNET - HOVED	WIRING HARNESS	27366	1
2	9029661	BAKGEAR ALARM (4WD)	REVERSE GEAR WARNING (FOR 4WD)	32038	1
3	9029670	HASTIGHEDSBEGRÆNSER BAKGEAR	REVERSE SPEED LIMITER	22002A	1
4	9030033	HORN	HORN	32029	1
5	9030034	BLINKRELÆ	FLASHER RELAY ASSY	32028	1
6	9030079	STARTRELÆ	STARTER RELAY	22004	1
7	9035463	KABELBINDER	TIE	25530	20
8	9030080	LADERELÆ	REGULATOR RECTIFIER	22007	1
9	9030679	BATTERI	BATTERY(BATTERY COVER IS ON PAGE 3)	22005	1
10	9029659	PLUSKABEL	BATTERY CABLE POSITIVE	32003	1
11	9029660	STELKABEL	BATTERY CABLE GROUND	32006	1
12	9030030	BATTERISTROP	BATTERY BELL	22018	1
13	9030031	KONDENSATOR	CAPACITOR	32021	1
14	9039421	CDI TÆNDINGSMODUL	CDI	27340	1
15	9039452	GEAR SENSOR	GEAR SENSOR(FOR 05 AND BEFORE MODEL)	32020	1
16	N/A		GEAR SENSOR HARNESS (FOR 05 AND BEFORE MODEL)	27258	1
18	9029720	GUMMIBESKYTTELSE	RUBBER SHEATH 1	25517	
19	9029721	GUMMIBESKYTTELSE	RUBBER SHEATH 2	25519	
21	9029662	LEDNINGSSINSTRUMENT	DISPLAY HARNESS	25520	1
23	9029663	ADVARSELS SUMMER	WARNING BUZZER (NOT FOR 30101G)	22008	1
24	9039401	SIKRING 7,5 A	7.5 AMP FUSE	22019	1
25	9039402	SIKRING 15 A	15 AMP FUSE	22020	2
26	9039403	SIKRING 3 A	3 AMP FUSE	22021	1
27	9030031	KONDENSATOR	CAPCITOR	32021	1
28	9030099	TÆNDPOLE INKL. TÆNDKABEL	IGNITON COIL AND WIRE	22012	1
29	9039597	UDTAGSSTIK 12V	ACCESSORY SOCKET ASSY	70400	1
30	N/A	DÆKSEL	CAP, IGNITON COIL	22024	1

FIG 19: BREMSESYSTEM / BRAKE SYSTEM

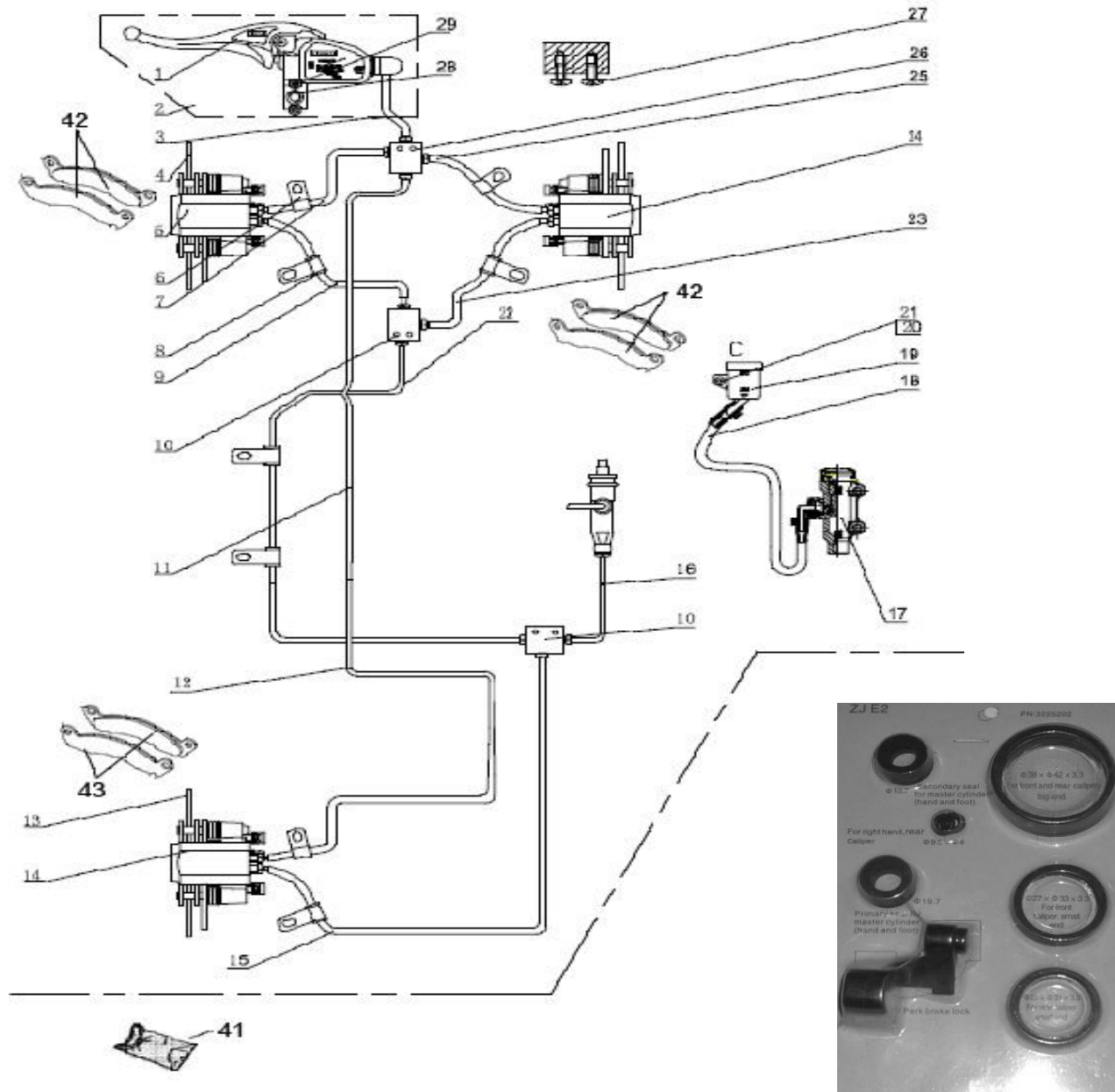




FIG 19: BREMSESYSTEM / BRAKE SYSTEM

Ref. no	PL nr / art. no	Varenavn	Art. name	OE no	Antal / pcs
1	9029827	GREB	BRAKE LEVER	2211120	1
2	9039413	HOVEDCYLINDER, STYR	MASTER CYLINDER WITH BRAKE LEVER	27320	1
3	9029683	BREMSESLANGE HÅND TIL T-STK	HAND BRAKE HOSE	22102	1
4	9039644	BREMSESKIVE H+V	FRONT BRAKE DISC	27321	2
5	9030106	BREMSECALIBER VENSTRE	BRAKE CALIPER LEFT,FRONT	32205A	1
6	N/A	HOLDER	CLAMP	32104	2
7	9029689	BREMSESLANGE VENSTRE FRONT	FRONT BRAKE HOSE 2	22229	1
8	9034418	GUMMIKRAVE	RUBBER TUBE1	32105	3
9	9057199	BREMSESLANGE FRONT	FRONT BRAKE HOSE 1	27313	1
10	9029672	T-STYKKE	BRAKE LINE COUPLER	32107	1
11	N/A	BREMSEØR BAGUD HÅNDBETJENT	TUBE DISKBRAKE REAR	27314	1
12	N/A	BREMSESLANGE BAG	REAR BRAKE HOSE 1	27315	1
13	9039637	BREMSESKIVE, BAG H+V	REAR BRAKE DISC	70537	2
14	9039634	KALIBER KPL. BAG V	BRAKE CALIPER LEFT,REAR	70520	1
15	N/A	BREMSEØR BAGUD FODBETJENT	REAR BRAKE HOSE 2	27316	1
16	9057201	BREMSESLANGE BAG	REAR BRAKE HOSE 3	27377	1
17	9039440	HOVEDCYLINDER, FOD	FOOT BRAKE CYLINDER	27378	1
18	N/A	BREMSEVÆSKEBEHOLDER	RESERVOIR HOSE	27379	1
19	9039465	BREMSEVÆSKEBEHOLDER	RESERVOIR	70496	1
20	N/A	MØTRIK M5	NUT M5	10109	1
21	N/A	BOLT M5X12	BOLT M5X12	10108	1
22	N/A	BREMSEØR FORUD FODBETJENT	TUBE DISKBRAKE,FOOT BRAKE	27317	1
23	9029682	BREMSESLANGE FOR H + V	FRONT BRAKE HOSE2	32233	1
24	9030104	BREMSECALIBER HØJRE	BRAKE CALIPER RIGHT	32231A	1
25	9039628	BREMSESLANGE H FF	FRONT BRAKE HOSE3	70483	1
26	9049330	4-VEJS SAMLER BREMSEØR	FOUR LINE COUPLER	70548	
27	N/A	BOLT M5X15	BOLT M5X15	10001	4
28	9050221	BOLT M6X20	BOLT M6X22	27283	2
29	N/A	DÆKSEL	CAP	27277	1
30	N/A	BESLAG	FOOT BRAKE MOUNTING PLATE	32243F	1
31	9029822	FJEDER	RETURN SPRING	22242	1
32	9029573	BREMSEPEDAL	BRAKE PEDAL	32241F	1
33	N/A		RETAINER	10115	1
34	N/A	SKIVE	WASHER	22238	1

35	N/A	BOLT M5X12	BOLT M5X8	10113	6
36	N/A	BOLT M5X8	BOLT M5X8	10113	1
37	N/A	HOLDER LILLE	BRAKE LINE CLAMP SMALL	22235	1
38	N/A	HOLDER STOR	BRAKE LINE CLAMP LARGE	22236	3
39	9029722	STOPLYSKONTAKT	STORP SWITCH FRONT	22243	1
40	9029723	FJEDER BREMSELYS KONTAKT	SPRING, STOP SWITCH	32246	1
41	9039453	PAKNINGSSÆT	SERVICE KIT	32252	1
42	9029926	BREMSEKLODSE - SÆT FOR	INSIDE AND OUTSIDE PAD ,FRONT	22245	4
43	9039635	BREMSEKLODS SÆT BAG	INSIDE AND OUTSIDE PAD,REAR	70525	2
44	9050206	MØTRIK M6	NUT M6	10004	2
45	9050221	BOLT M6X20	BOLT M6X20	10110	3



FIG 20: PARKERINGSBREMSE / AUXILIARY BRAKE

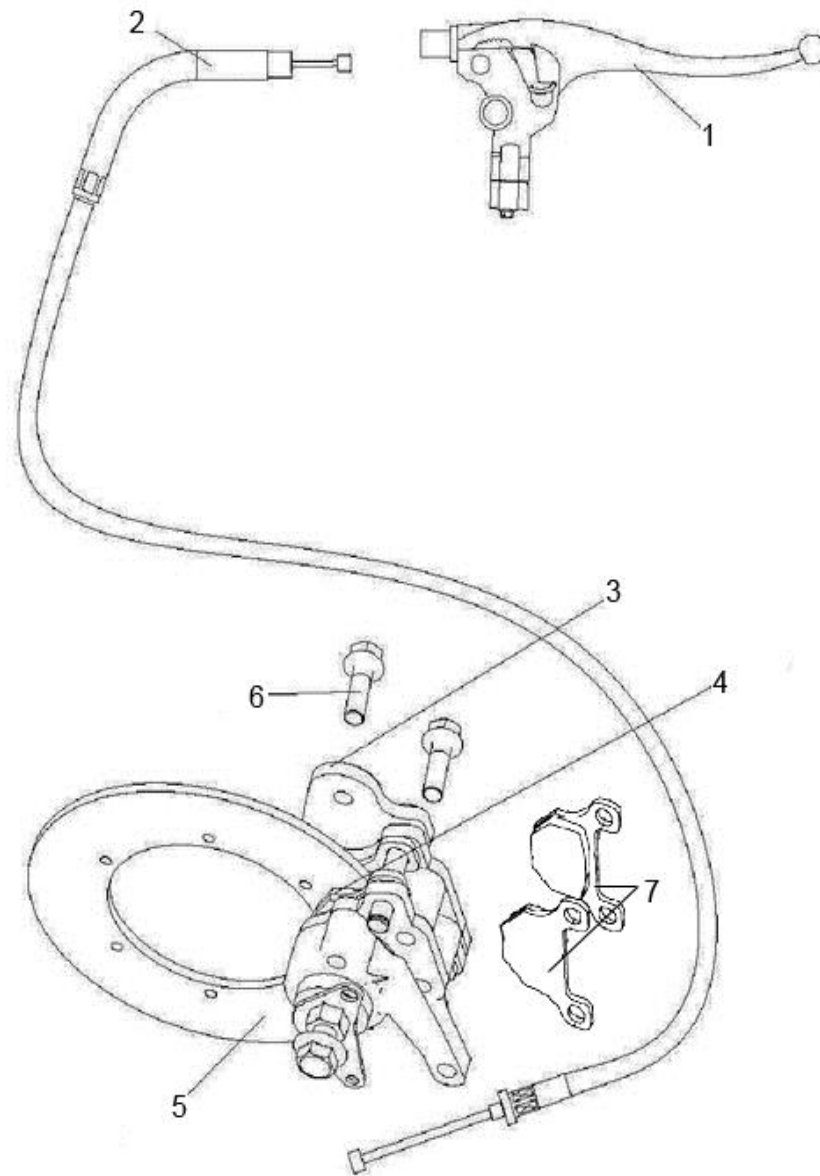


FIG 20: PARKERINGSBREMSE / AUXILIARY BRAKE

Ref. no	PL nr / art. no	Varenavn	Art. name	OE no	Antal / pcs
1	9039646	BREMSEHÅNDTAG H	MASTER CYLINDER(WITH LEVER)	70636	1
2	9039647	BREMSEKABEL	BRACK CABLE	70637	1
3	9039466	KALIBER F. PARK.BREMSE	BRACK CALIPER(SEE THE DETAIL ON P24.2(1) )	70638	1
4	9039648	BREMSESKIVE PARK.	DISK BRAKE	70643	1
5	9039649	BREMSEKLODS SÆT PARK.	INSIDE AND OUTSIDE PAD	70645	2
6	9050233	BOLT M8X40	BOLT M8X40	10218	2
7	9039408	BREMSEKLODSER, PR.STK.	BRAKE PAD	27284	2

FIG 21: BREMSEPEDAL / PEDAL, BRAKE

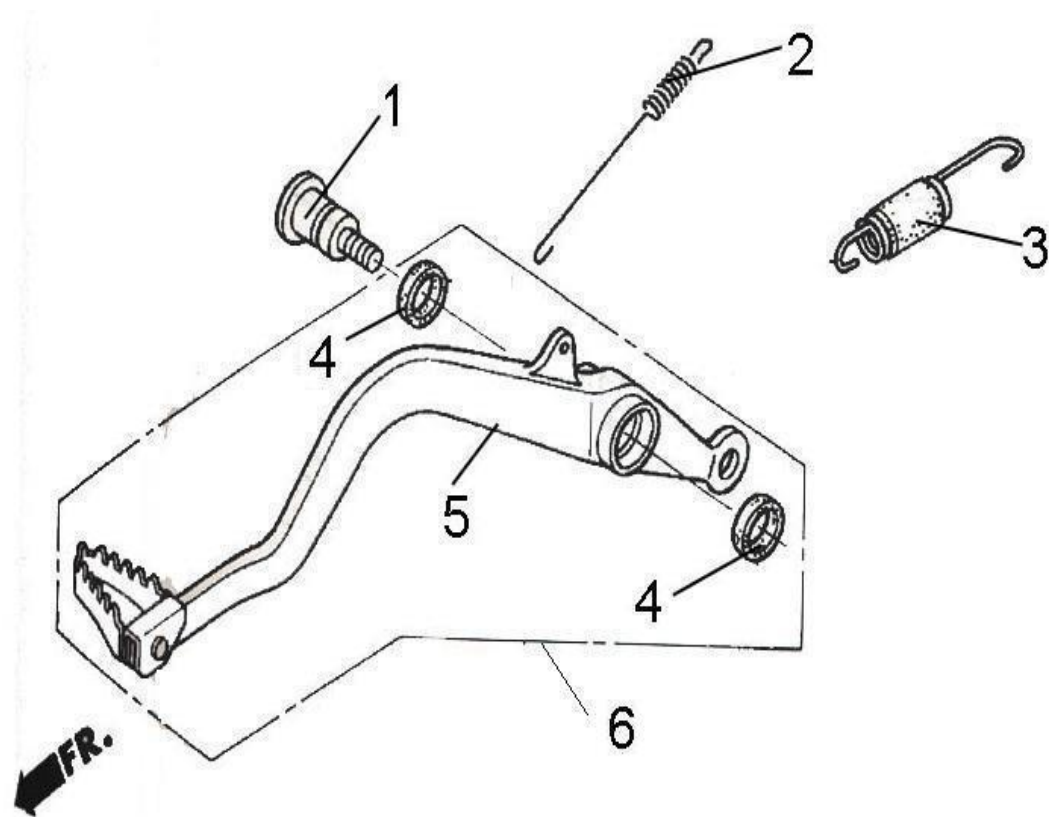


FIG 21: BREMSEPEDAL / PEDAL, BRAKE

Ref. no	PL nr / art. no	Varenavn	Art. name	OE no	Antal / pcs
1	9039640	BOLT SPEC. T. B.PEDAL	SHAFT,BRAKE PIVOT	70542	1
2	9039424	FJEDER F. STOPKONTAKT FOD	SPRING,STOP SWITCH	27349	1
3	9030983	SAMLEFJEDER	SPRING ASSY	29648	1
4	9039638	PAKDÅSE F. PEDALAKSEL	DUST SEAL	70540	2
5	N/A	BREMSEPEDAL	PEDAL BRAKE	25146	1
6	9030756	BREMSEPEDAL SÆT	PEDAL BRAKE ASSY	25147	1

FIG 21A: KOFANGER & BAGAGEBÆRER / BUMPER & RACK

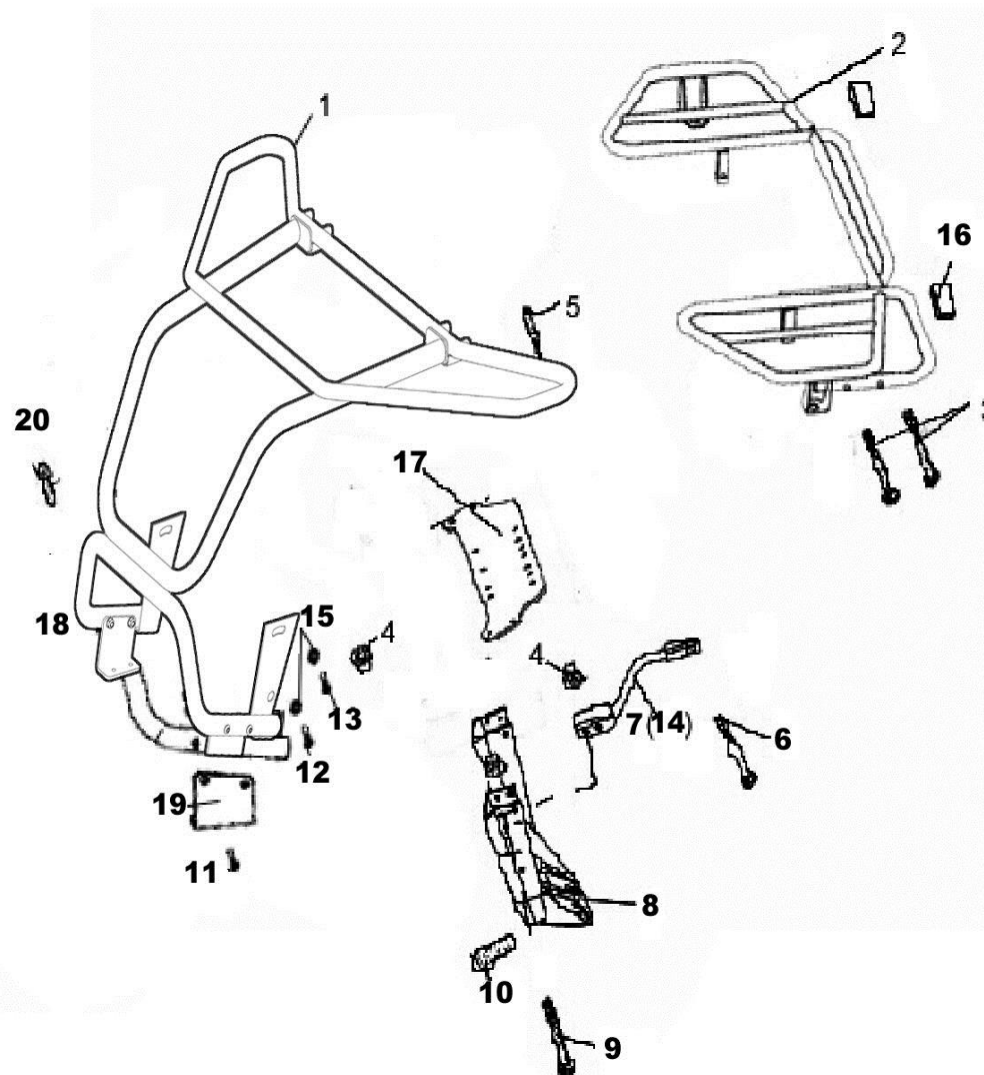




FIG 21A: KOFANGER &amp; BAGAGEBÆRER / BUMPER &amp; RACK

Ref. no	PL nr / art. no	Varenavn	Art. name	OE no	Antal / pcs
1	9039426	BAGAGEBÆRER F.	FRONT RACK	27359	2
2	9039429	BAGAGEBÆRER B.	REAR RACK	27364	1
3	9033869	BOLT	BOLTM8X45	10055	4
4	9050207	MØTRIK M8	NUT M8	10079	4
5	9033887	BOLT	BOLT M8X25	10059	2
6	N/A	BOLT M8X85	BOLT M8X85	25150	2
7	9030775	HOLDER 1 VENSTRE	TRESTLE 1 LEFT	25219L	1
8	9039400	BESLAG F. KOFANGER	BUMPER BRACKET	20258	1
9	9050236	BOLT M8X70	BOLT M8X70	25056	4
10	9033887	BOLT	BOLT M8X25	10059	2
11	N/A	BOLT	BOLT M8X55	29506	4
12	9033912	BOLT	BOLT M8X20	10081	2
13	9033887	BOLT	BOLT M8X25	10059	2
14	9030774	HOLDER 1 HØJRE	TRESTLE 1 RIGHT	25219R	4
15	9050202	SKIVE	WASHER 8	26009	4
16	9034298	REFLEX	FRONT REFLECTER (RED) (FOR EUROPE)	22321	2
17	9057213	HOLDER	BRACKET,PULLING	70366	1
18	9057214	HOLDER	HOLDER,R.PULLIN BRACKET	27387	1
19	9057215	HOLDER	HOLDER,L.PULLIN BRACKET	27386	1
20	9034420	BOLT	BOLT M6X12	10140	4

FIG 22: CYLINDER & TOPSTYKKE / CYLINDER

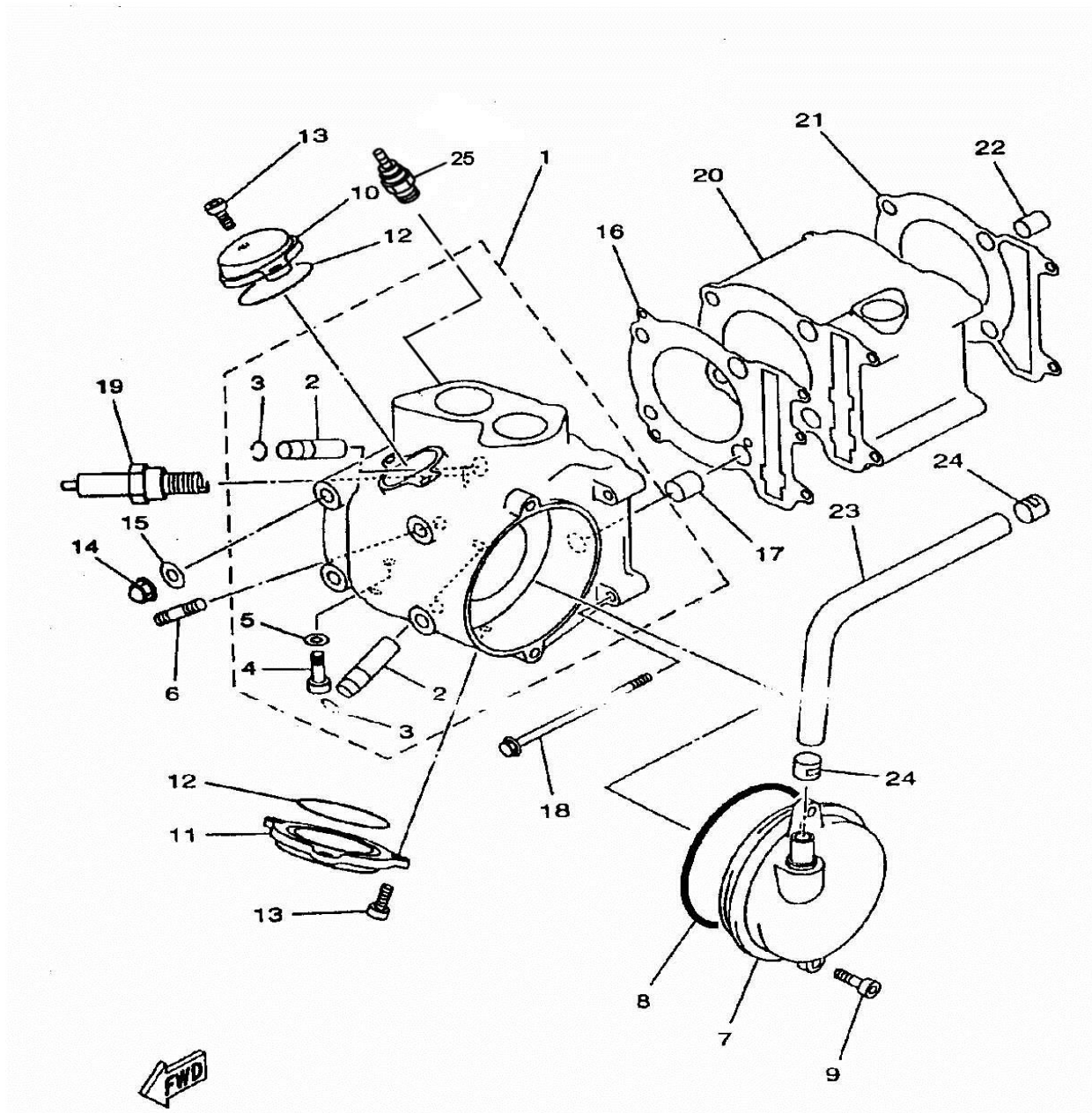


FIG 22: CYLINDER &amp; TOPSTYKKE / CYLINDER

Ref. no	PL nr / art. no	Varenavn	Art. name	OE no	Antal / pcs
1	9040273	TOPSTYKKE KPL.	CYLINDER HEAD ASSY	27337	1
2	N/A	VENTILSTYR	GUIDE INTAKE VALVE	27338	2
3	9034736	LÅSERING	CIRCLIP 12	10112	2
4	9034737	BOLT	BOLT M6X12	10086	1
5	9029736	PAKNING M6	GASKET 6	22810	1
6	9034739	STØTTEBOLT	BOLT STUD M8X25	10014	2
7	9030684	UDLUFTNINGSHUS	BREATHER ASSY	22407	1
8	9039490	O-RING	O-RING 95X3.3	22408	1
9	9034722	BOLT	BOLT SOCKET HEAD M6X20	10008	2
10	9030685	VENTILDÆKSEL INDSUGNING	VALVE COVER INTAKE SIDE	22410	1
11	9030686	VENTILDÆKSEL UDSØDNING	VALVE COVER EXHAUST SIDE	22411	1
12	9029733	O-RING	O-RING 57.5X2.3	22412	2
13	9024722	BOLT	BOLT SOCKET HEAD M6X20	10008	5
14	9034723	MØTRIK	NUT CROWN M8	22414	4
15	9034724	TÆTNINGS SKIVE	WASHER PLATE 8	22415	4
16	9040270	TOPPAKNING	GASKET CYLINDER HEAD1	27221	1
17	9034726	STYRETAP	PIN DOWEL 14X16	22417	2
18	N/A	BOLT	BOLT FLANGE M6X130	27339	2
19	9030687	TÆNDRØR (NGK DR8EA)	PLUG SPARK-NGK DR8EA	22419	1
20	9040272	CYLINDER	CYLINDER	27228	1
21	9040271	CYLINDERPAKNING	GASKET CYLINDER	27226	1
22	N/A	STYRETAP	PIN DOWEL 10X14	22422	2
23	9034733	ÅNDESLANGE	PIPE BREATHER1	22423	1
24	N/A	LÅS	CLIP 13MM	43514	2
25	9040274	TERMOFØLER	THERMO UNIT	27396	1

FIG 23: KRUMTAP / CRANKSHAFT

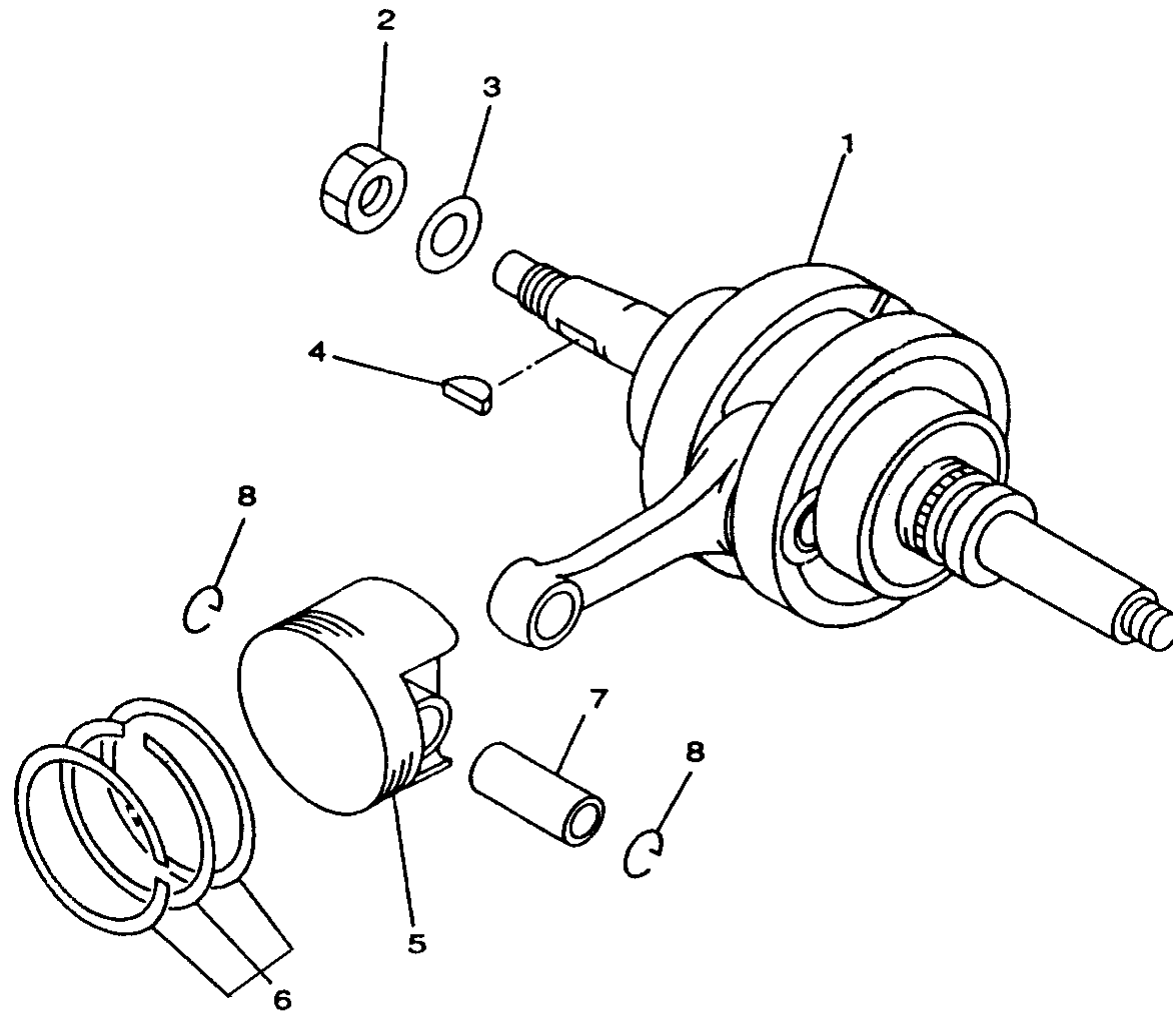


FIG 23: KRUMTAP / CRANKSHAFT

Ref. no	PL nr / art. no	Varenavn	Art. name	OE no	Antal / pcs
1	9042767	KRUMTAP	CRANKSHAFT ASSY	27238	1
2	9040275	MØTRIK F. KRUMTAP	NUT M16X1	22502	1
3	9034750	SKIVE	WASHER PLATE 16	22503	1
4	9029742	NOT- HALVMÅNE	KEY WOODRUFF	22504	1
5	9040278	STEMPEL	PISTON	27241	1
6	9040279	RINGSÆT	PISTON RING SET	27242	1
7	9040277	KRYDSPIND	PISTON PIN	27240	1
8	9040276	LÅSERING F. KRYDSPIND	CLIP	27239	2

FIG 24: VENTILER / VALVES

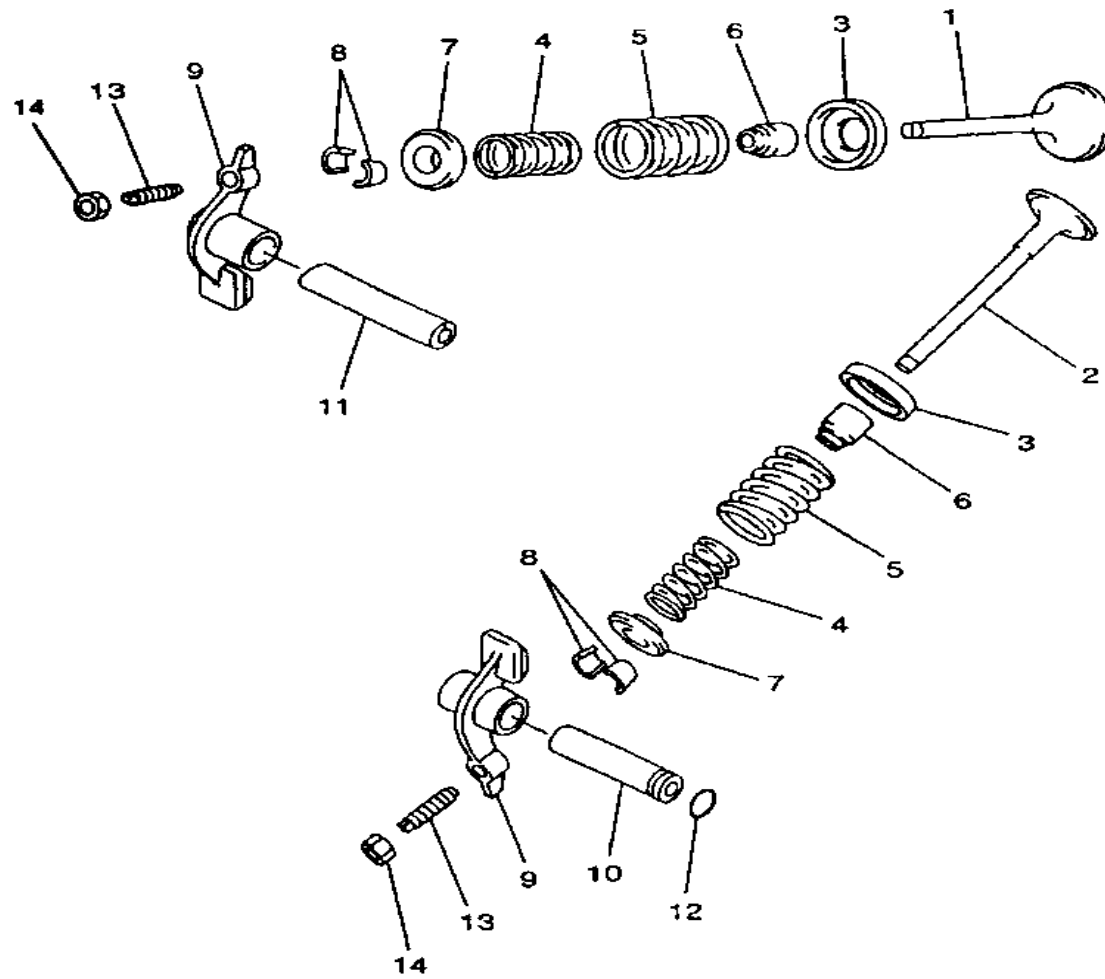


FIG 24: VENTILER / VALVES

Ref. no	PL nr / art. no	Varenavn	Art. name	OE no	Antal / pcs
1	9040280	INDSUGNINGSVENTIL	INTAKE VALVE	27222	1
2	9040281	UDSTØDNINGSVENTIL	EXHAUST VALVE	27223	1
3	9034774	VENTILSÆDE	SEAT SPRING VALVE	22603	2
4	9029709	VENTILFJEDER INDVENDIG	SPRING VALVE INNER	22604	2
5	9029710	VENTILFJEDER UDVENDIG	SPRING VALVE OUTER	22605	2
6	9029840	VENTILSTYRSPAKDÅSE	SEAL VALVE STEM	22606	2
7	9029711	LÅSESKIVE	RETAINER SPRING VALVE	22607	2
8	9029841	VENTILFJEDER LÅS	COTTER VALVE	22608	4
9	9030041	VIPPEARM	ROCKER ARM VALVE	22609	2
10	9034766	VIPPEARM'S AKSEL UGST	EXHAUST ROCKER SHAFT	22610	1
11	9034767	VIPPEARM'S AKSEL INDSUG	INTAKE ROCKER SHAFT	22611	1
12	9029839	O-RING 9X2	O-RING 9X2	22612	1
13	9029743	JUSTERSKRUE	ADJUSTING SCREW VALVE	22613	2
14	9029744	MØTRIK M6X0,75	NUT M6X0.75	22614	2

FIG 25: KNASTAKSEL / CAMSHAFT

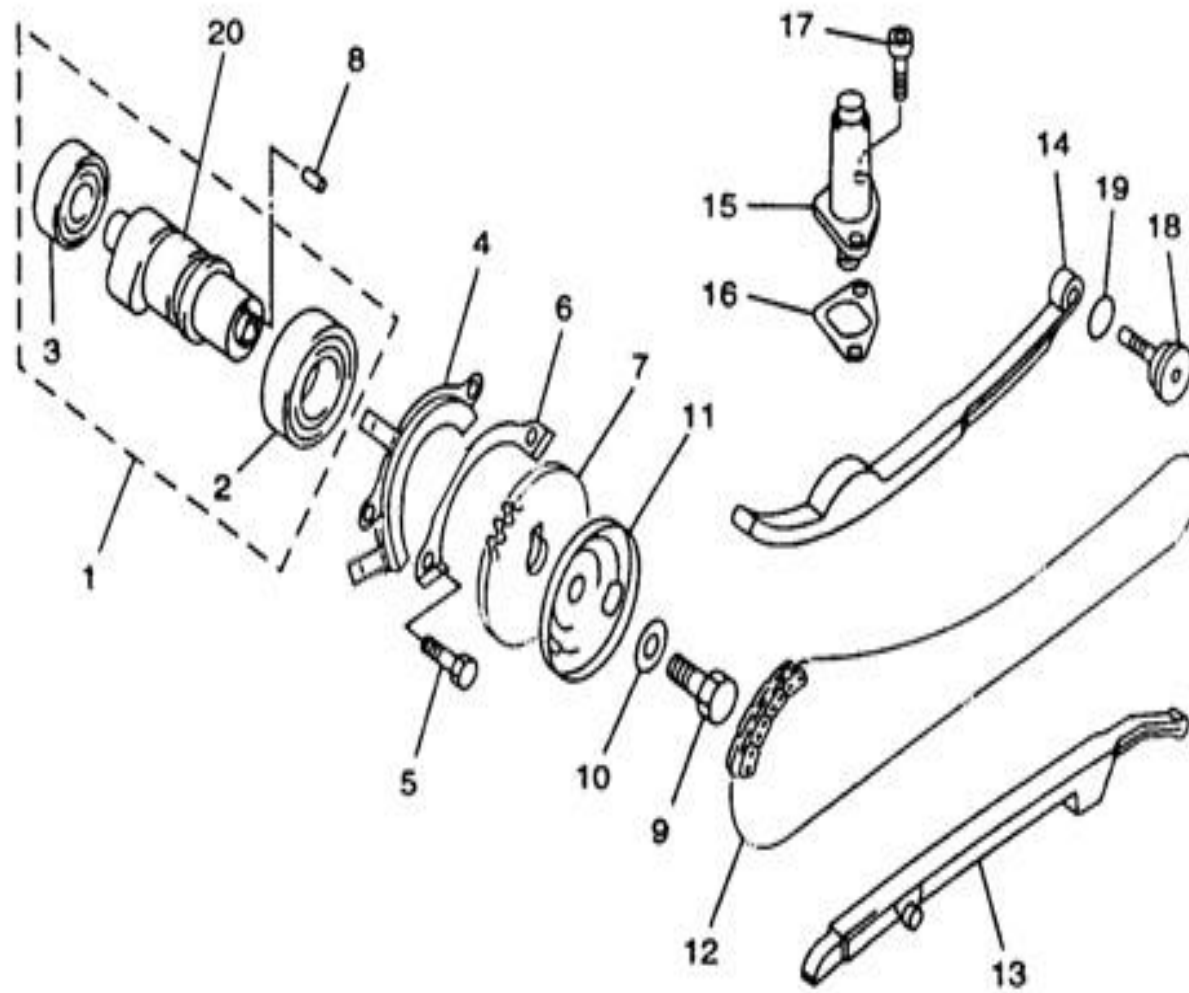




FIG 25: KNASTAKSEL / CAMSHAFT

Ref. no	PL nr / art. no	Varenavn	Art. name	OE no	Antal / pcs
1	9040285	KNASTAKSEL KPL.	CAMSHAFT ASSY1	27234	1
2	9034796	LEJE	BEARING	10012	1
3	9034798	LEJE	BEARING(B6202Z)	10013	1
4	9040287	PLADE F. KNAST	PLATE	27237	1
5	9034737	BOLT	BOLT M6X12	10086	2
6	9040286	LÅSEPLADE F. KNAST	LOCK WASHER	27236	1
7	9029582	KNASTAKSEL TANDHJUL	CAM CHAIN SPROCKET	22707	1
8	9034803	STYRETAP	DOWEL PIN B4X10	10024	1
9	9034804	BOLT	BOLT M10X1.25X25	10025	1
10	9034786	SKIVE	WASHER PLATE 10	22710	1
11	9034787	PLADE	BREATHER PLATE2	22711	1
12	9040282	KNASTKÆDE	CHAIN	27201	1
13	9040284	KÆDESTYR, FAST	GUIDE STOPPER1	27203	1
14	9040283	KÆDESTYR, STRAMMER	GUIDE STOPPER2	27202	1
15	9039740	KÆDESTRAMMER F. TAKTK.	CAM CHAIN TENSIONER ASSY	22715A	1
16	9029747	PAKNING KÆDESTRAMMER	GASKET TENSIONER CASE	22716	1
17	9034793	BOLT	SOCKET HEAD BOLT M6X14	10036	2
18	9029748	AKSELBOLT	CHAIN TENSIONER PIVOT BOLT	22718	1
19	9029749	O-RING 14.5X1.8	O-RING 14.5X1.8	22719	1
20	N/A	KNASTAKSEL	CAMSHAFT	27235	1

FIG 26: VANDPUMPE / WATER PUMP

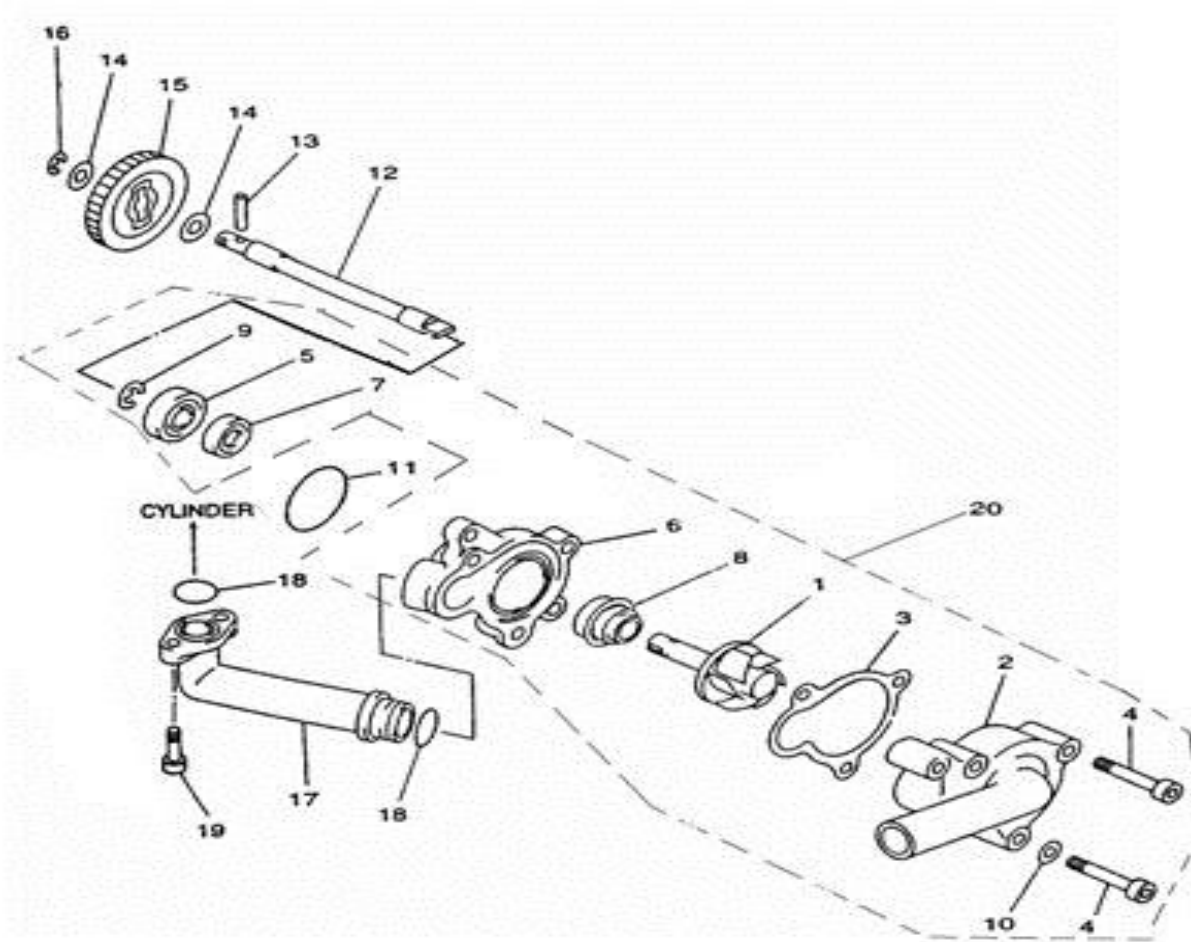


FIG 26: VANDPUMPE / WATER PUMP

Ref. no	PL nr / art. no	Varenavn	Art. name	OE no	Antal / pcs
1	9034806	ROTOR F. VANDPUMPE	IMPELLER SHAFT ASSY	22801	1
2	9034817	VANDPUMPE DÆKSEL	HOUSING COVER	22802	1
3	9030688	PAKNING	GASKET HOUSING COVER2	22803	1
4	9034820	BOLT	SOCKET HEAD BOLT M6X35	10041	3
5	9034821	KUGLELEJE	BEARING	10043	1
6	9034822	VANDPUMPEHUS	WATER PUMP HOUSING	22806	1
7	9030689	PAKDÅSE 10X21X5	OIL SEAL 10X21X5	22807	1
8	9030690	VANDPUMPE PAKDÅSE	MECHANICAL SEAL	22808	1
9	9034825	LÅS	CIRCLIP 9	10044	1
10	9029736	PAKNING M6	GASKET 6	22810	1
11	9034808	O-RING	O-RING 33.5X2.65	10049	1
12	N/A	AKSEL	SHAFT	27230	1
13	N/A	STYRETAP	DOWEL PIN C3X22	10070	1
14	9034908	SKIVE	WASHER PLATE 8	23814	2
15	9029975	TANDHJUL VANDPUMP	IMPELLER SHAFT GEAR	22815	1
16	9034813	LÅS	CIRCLIP 8	10072	1
17	9042871	VANDRØR	JOINT	27229	1
18	9029752	O-RING 15.5X2.5	O-RING 15.5X2.5	10082	2
19	9034491	SKRUE	SOCKET HEAD BOLT M6X15	10083	2
20	9029977	VANDPUMPE KOMPLET	WATER PUMP ASSY	22820	1

FIG 27: KØLESYSTEM, 2WD / RADIATOR, 2WD

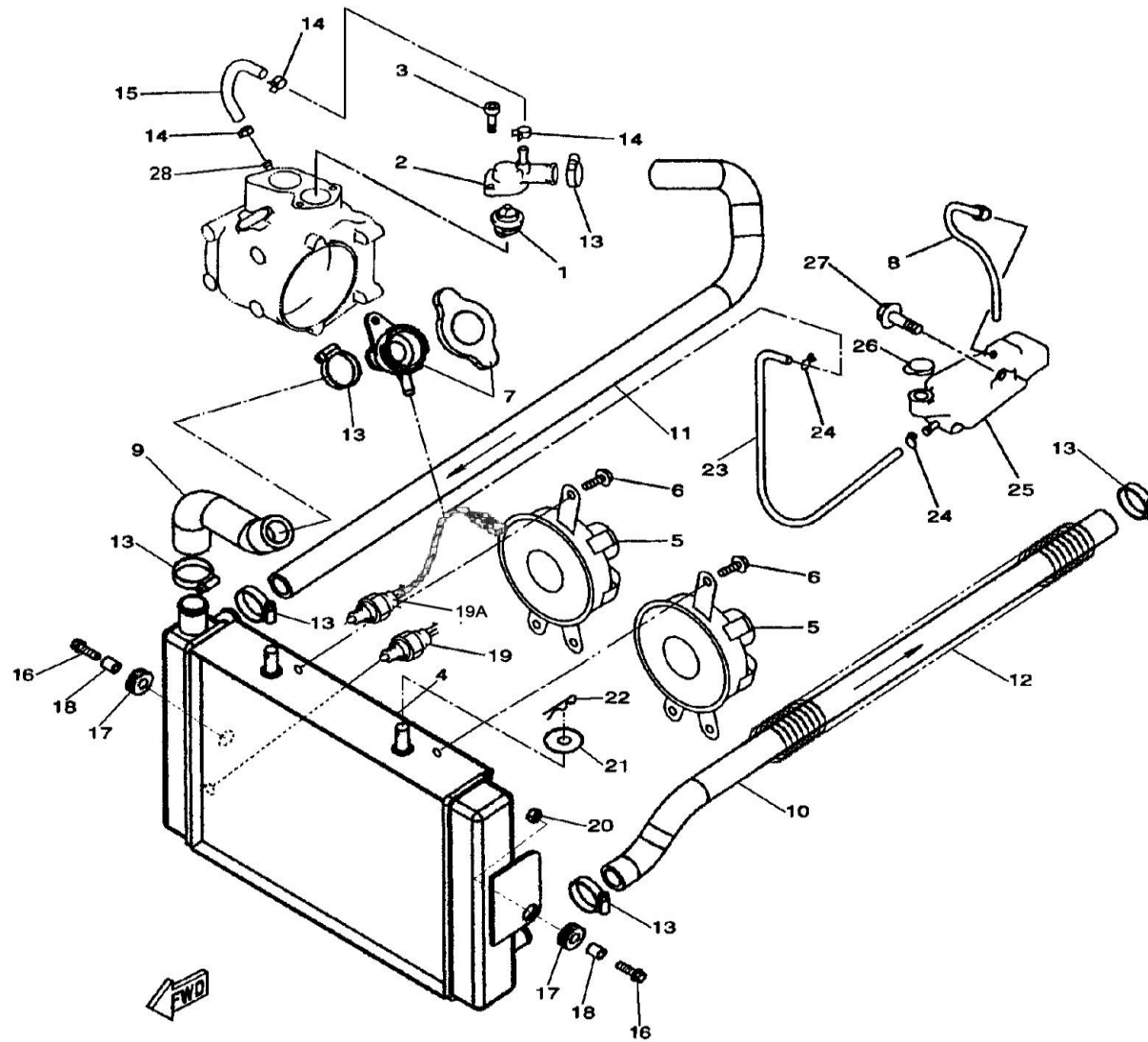


FIG 27: KØLESYSTEM, 2WD / RADIATOR, 2WD

Ref. no	PL nr / art. no	Varenavn	Art. name	OE no	Antal / pcs
1	9030110	THERMOSTAT	THERMOSTAT	22901	1
2	N/A	THERMOSTAT	THERMOSTAT(ONLY FOR ITALY)	22901A	1
3	9029978	THERMOSTATHUS	THERMOSTAT COVER	22902	1
4	9040315	BOLT	SOCKET HEAD BOLT M6X25	10085	2
5	9029979	KØLER BRED	RADIATOR ASSY	22904F	1
6	9040289	EL-BLÆSER	BLOWER ASSY	22905	2
7	N/A	BOLT	FLANGE BOLT M6X9	10087	6
8	9030044	KØLERDÆKSEL	SAFETY VALVE	22907A	1
9	9029759	KØLERSLANGE	PIPE 2	23028	1
10	N/A	KØLERSLANGE FREMLØB	RADIATOR FILLER HOSE	22909F	1
11	N/A	KØLERSLANGE RETUR	RETURN HOSE	22910	1
12	9040290	KØLERSLANGE Ø.	FEED HOSE	22911F	1
13	9029754	BESKYTTELSESFJEDER	COMPRESSION SPRING	22912	2
14	N/A	SPÆNDEBÅND	HOSE CLAMP1	22913	6
15	9034688	SPÆNDEBÅND	HOSE CLAMP2	22914	2
16	9029844	SLANGE	HOSE2	22915	1
17	9050221	BOLT	BOLT M6X20	10110	2
18	9029755	GUMMIHOLDER	RADIATOR SIDE SUPT GROMMET	22917	2
19	N/A	KRAVE	COLLAR	22918	2
20	9029756	KONTAKT/FØLER KØLEVENTILATOR	THERMOSTAT SWITCH ASSY	22919	1
21	9034691	BØSNING	THERMOSTAT SWITCH ASSY(ONLY FOR ITALY)(USE AFTER 08.02.)	22919A	1
22	9050206	MØTRIK	NUT M6	10004	2
23	9033907	SKIVE	WASHER PLATE 10	10019	2
24	9034697	LÅS	CLIP 2X20	10094	2
25	9029757	SLANGE OVERLØB	PIPE 1	22923	1
26	9034708	SPÆNDEBÅND	CLIP	22924	2
27	9029609	EKSPANSIONBEHOLDER	TANK RECOVERY	22925	1
28	9030043	DÆKSEL EKSPANSIONSBEHOLDER	CAP	22926	1
29	9034420	BOLT	BOLT FLANGE M6X12	10140	1
30	N/A	SAMLER	JOINT	23001	1

FIG 28: KØLESYSTEM, 4WD / RADIATOR, 4WD

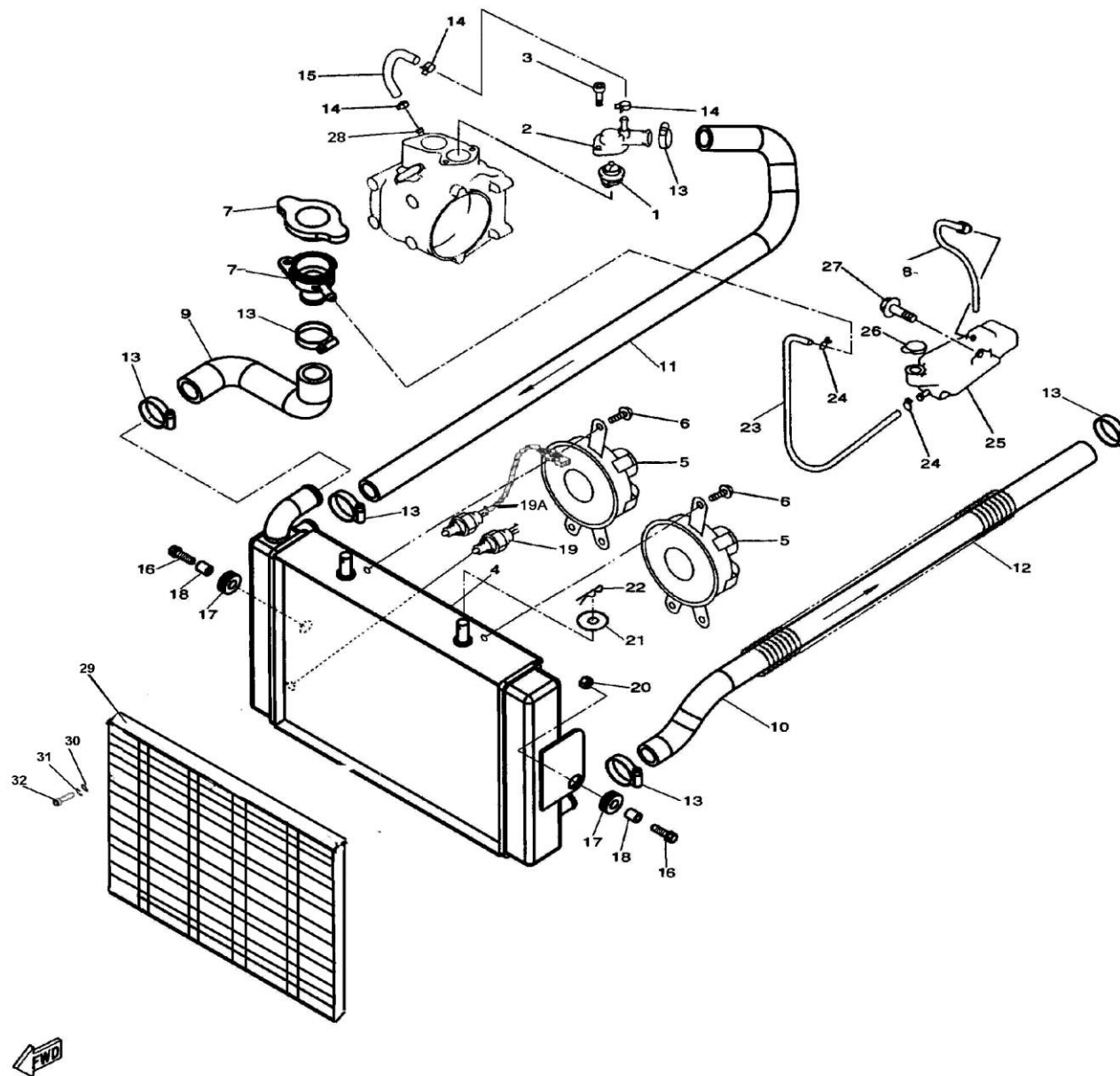


FIG 28: KØLESYSTEM, 4WD / RADIATOR, 4WD

Ref. no	PL nr / art. no	Varenavn	Art. name	OE no	Antal / pcs
1	9030110	THERMOSTAT	THERMOSTAT	22901	1
1	N/A	THERMOSTAT	THERMOSTAT(ONLY FOR ITALY)	22901A	1
2	9029978	THERMOSTATHUS	THERMOSTAT COVER	22902	1
3	9040315	BOLT	SOCKET HEAD BOLT M6X25	10085	2
4	9029979	KØLER KOMPLET (BRED)	RADIATOR ASSY (THICKER)	22904T	1
5	9040289	EL-BLÆSER	BLOWER ASSY	22905	2
6	N/A	BOLT	FLANGE BOLT M6X9	10087	6
7	9030044	KØLERDÆKSEL	SAFETY VALVE	22907A	1
8	9029759	KØLERSLANGE	PIPE 2	23028	1
9	9029845	KØLERSLANGE PÅFYLDNING	RADIATOR FILLER HOSE	22909T	1
10	9029842	KØLERSLANGE RETUR	RETURN HOSE	22910T	1
11	9040290	KØLERSLANGE Ø.	FEED HOSE	22911F	1
12	9029754	BESKYTTELSESFJEDER	COMPRESSION SPRING	22912	2
13	N/A	SPÆNDEBÅND	HOSE CLAMP1	22913	6
14	9034688	SPÆNDEBÅND	HOSE CLAMP2	22914	2
15	9029844	SLANGE	HOSE1	22915	1
16	9050221	BOLT	BOLT M6X20	10110	2
17	9029755	GUMMIHOLDER	RADIATOR SIDE SUPT GROMMET	22917	2
18	9034691	BØSNING	COLLAR	22918	2
19	9029756	KONTAKT/FØLER KØLEVENTILATOR	THERMOSTAT SWITCH ASSY	22919	1
19A	9049423	TERMOFØLER	THERMOSTAT SWITCH ASSY(ONLY FOR ITALY)(USE AFTER 08.02.)	22919A	1
20	9050206	MØTRIK	NUT M6	10004	2
21	9033907	SKIVE	WASHER PLATE 10	10019	2
22	9034697	SPLIT	CLIP 2X20	10094	2
23	9029757	SLANGE OVERLØB	PIPE 1	22923	1
24	9034708	SPÆNDEBÅND	CLIP	22924	2
25	9029609	EKSPANSIONBEHOLDER	TANK RECOVERY	22925	1
26	9030043	DÆKSEL EKSPANSIONSBEHOLDER	CAP	22926	1
27	9034420	BOLT	BOLT FLANGE M6X12	10140	1
28	N/A	STUDS	JOIN	23001	1
29	N/A	BUFFER	FENDER (USED FOR SPORT)	23002	1
30	N/A	SKIVE	WASHER 6 (USED FOR SPORT)	10006	4
31	N/A	SKIVE	SPRING WASHER (USED FOR SPORT)	10308	4
32	N/A	BOLT	BOLT FLANGE M6X14 (USED FOR SPORT)	10423	4

FIG 29: OLIEPUMPE / OIL PUMP

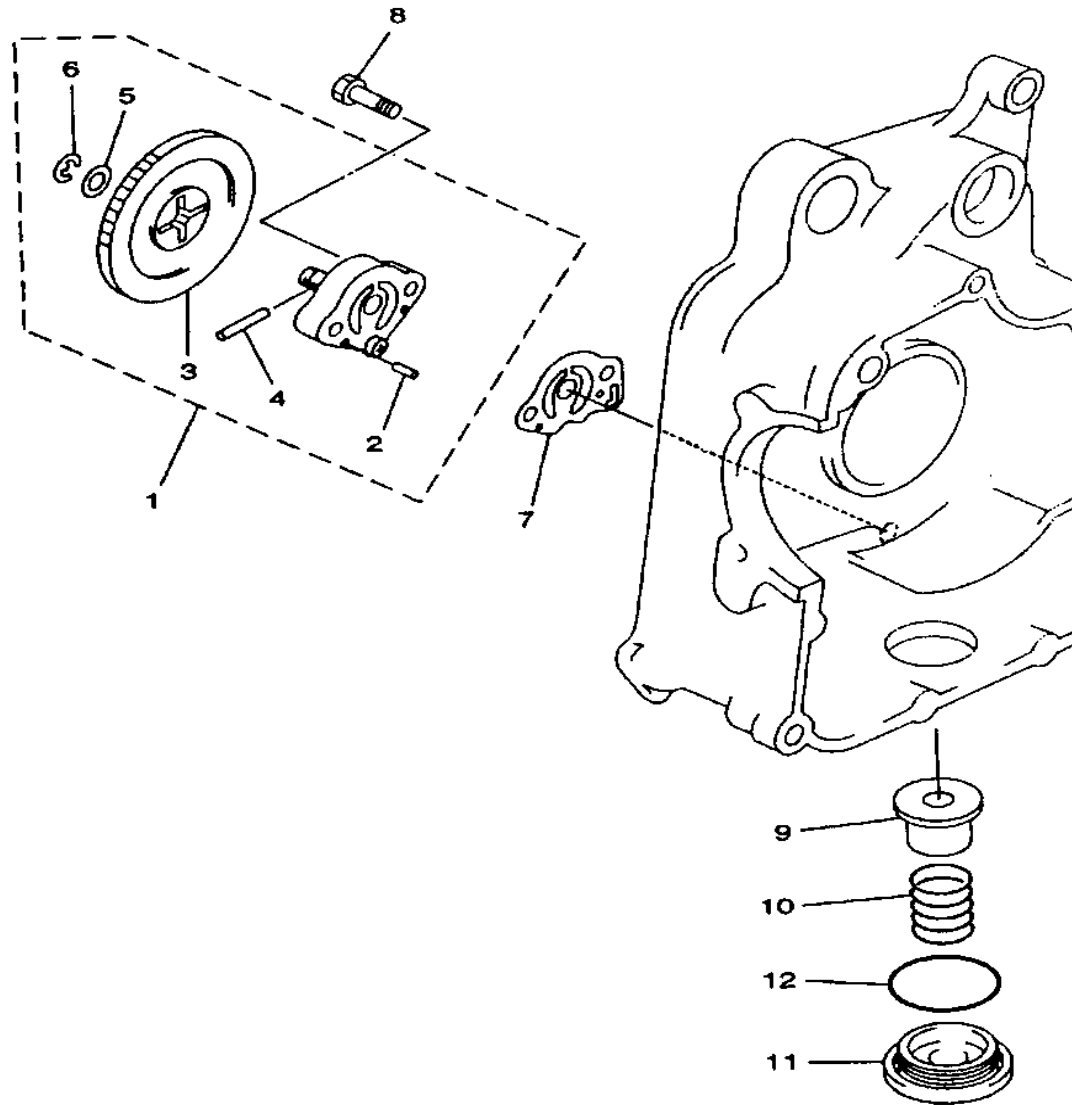




FIG 29: OLIEPUMPE / OIL PUMP

Ref. no	PL nr / art. no	Varenavn	Art. name	OE no	Antal / pcs
1	9040291	OLIEPUMPE KPL.	OIL PUMP ASSY	27245	1
2	9034831	STYRETAP	DOWEL PIN 3X12	10096	2
3	9034832	TANDHJUL F OLIEPUMPE	GEAR PUMP DRIVEN	23103	1
4	9034833	STIFT	DOWEL PIN C3X22	10097	1
5	9034908	SKIVE	WASHER PLATE	23814	1
6	9034835	LÅS	CIRCLIP	10130	1
7	9030691	PAKNING	GASKET	23107	1
8	9034837	SKRUE	SCREW M6X25	10098	2
9	9029769	OLIESI	OIL STRAINER	23109	1
10	9029980	TRYKFJEDER	COMPRESSION SPRING	23110	1
11	9029981	OLIEPROP	DRAIN PLUG	23111	1
12	9029760	O-RING 36X3.5	O-RING 36X3.5	23112	1

FIG 30: LUFTFILTER / AIR CLEANER

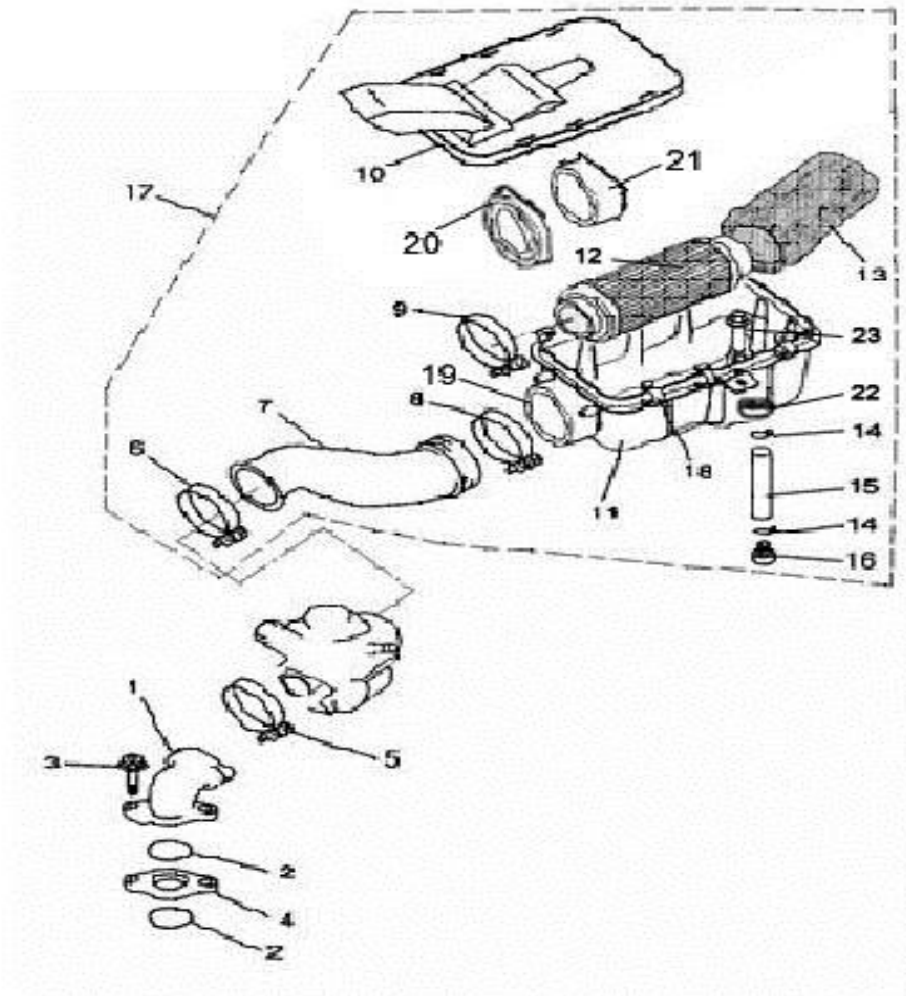


FIG 30: LUFTFILTER / AIR CLEANER

Ref. no	PL nr / art. no	Varenavn	Art. name	OE no	Antal / pcs
1	N/A	N/A	JOINT CARBURETOR(FOR USA)	27219	
1	9040294	INDSUGNINGSBØJNING	JOINT CARBURETOR(FOR EUROPE)	27220	1
2	9029848	O-RING 35X2	O-RING 35X2	23202	2
3	9040315	BOLT	SCOKET HEAD BOLT M6X25	10085	2
4	9040295	VARMESKIVE	JOINT	27225	1
5	9034678	SPÆNDEBÅND FOR MANIFOLD	HOSE CLAMP D	23205	1
6	N/A	SPÆNDEBÅND C	HOSE CLAMP C	23206	1
7	9040296	INDSUGNINGSSLANGE	AIR CLEANER JOINT	27286	1
8	N/A	SPÆNDEBÅND B	HOSE CLAMP B	23208	1
9	9034669	SPÆNDEBÅND FOR LUFTFILTER	HOSE CLAMP A	23209	1
10	9030111	LUFTFILTERHUS DÆKSEL	COVER AIR CLEANER	23210	1
11	9030112	LUFTFILTERHUS	AIR CLEANER CASE1	23211	1
12	9029847	LUFTFILTER ELEMENT	ELEMENT COMP AIR CLEANER	23212	1
13	9029905	SKUMOVERTRÆK	FILTER COVER	23213	1
14	9034666	SPÆNDEBÅND	CLIP	23214	2
15	9040292	SLANGE	HOSE	23215	1
16	9034667	PROP	PLUG	23216	1
17	9040293	LUFTFILTER KPL. M. HUS	AIR CLEANER ASSY	23217	1
18	9030692	CLIPS TIL LUFTFILTER DÆKSEL	AIR CLEANER COVER CLIP	23218A	6
19	N/A	STUDS	JOINT, AIR CLEANER	25587	1
20	N/A	SKIVE	WASHER, AIR CLEANER	25588	1
21	N/A	HOLDER	JOINT FIXED, AIR CLEANER	25589	1
22	N/A	GUMMISKIVE	RUBBER WASHER	25600	2
23	9050222	BOLT	BOLT M6X30	10182	2

FIG 31: KARBURATOR / CARBURETOR



FIG 31: KARBURATOR / CARBURETOR

Ref. no	PL nr / art. no	Varenavn	Art. name	OE no	Antal / pcs
1	9040297	KARBURATOR	CARBURETOR ASSY	27224	1
1-1	9051008	KABURATOR MEMBRAN			
2	9040298	CHOKERKABEL	LINE ASSY	70180	1

FIG 32: UDSTØDNINGSSYSTEM / EXHAUST

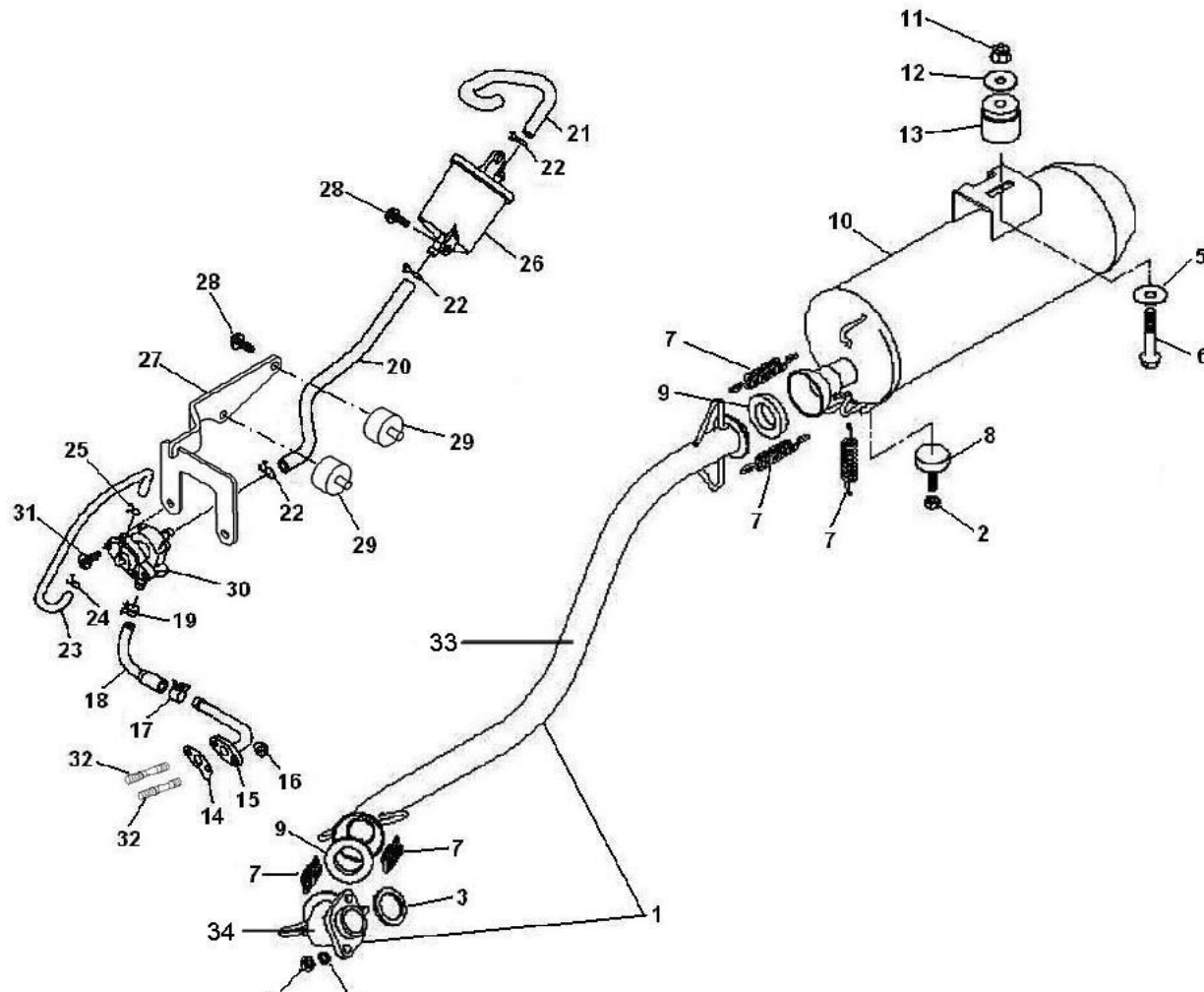


FIG 32: UDSTØDNINGSSYSTEM / EXHAUST

Ref. no	PL nr / art. no	Varenavn	Art. name	OE no	Antal / pcs
1	9030770	FORRØR	EXHAUST PIPE	25200	1
2	9050207	MØTRIK M8	NUT M8	10099	4
3	9029856	UDSTØDNINGSMANIFOLDSPAKNING	EXHAUST PIPE GASKET	23403	1
4	9050202	PLANSKIVE	WASHER 8	10106	2
5	9036618	PLANSKIVE	WASHER PLATE 10	10117	1
6	9034641	FLANGEBOLT	BOLT FLANGE M10X1.25X62	10120	1
7	9029909	FJEDER	SPRING	23408	5
8	9030771	GUMMIDÆMPER	MUFFLER SUPPORT BOTTOM	25202	1
9	9030776	PAKNING KONISK	JOUNT	25222	1
10	9040301	LYDPOTTE	MUFFLER (FOR EUROPE)	27351	1
10	N/A	N/A	MUFFLER (FOR USA)	27351a	1
11	9031005	MØTRIK, FOR, FLANGE	NUT M10X1.25	10015	1
12	9034618	SKIVE	WASHER PLATE 10	10117	1
13	9040302	GUMMIOPHÆNG F. LYDPOTTE	MUFFLER SUPPORT	27352	1
14	9029855	PAKNING	WASHER	43510	1
15	9030045	RØR	HOSE	43511A	1
16	9050206	MØTRIK	NUT M6	10004	2
17	9034623	SPÆNDEBÅND	CLIP 16	43513	1
18	9030046	SLANGE C	HOSE C	43512	1
19	N/A	SPÆNDEBÅND	CLIP 13	43514	1
20	9030047	SLANGE B	HOSE B	43525	1
21	9029985	SLANGE A	HOSE A	43518	1
22	9034629	SPÆNDEBÅND	HOSE CLAMP 16	43519	3
23	9030048	SLANGE	PIPE	43520	1
24	9034631	SPÆNDEBÅND	CLIP 9	43521	1
25	9034632	SPÆNDEBÅND	CLIP 7.6	43522	1
26	9029984	FILTER	FILTER	43523	1
27	N/A	BESLAG	VALVE BRACKET	33227	1
28	9050220	BOLT M6	BOLT M6X12	10140	4
29	9030675	GUMMIDUPPE STEL	RUBBER PAD	20316	8
30	9040303	ERG-VENTIL	VALVE	43516	1
31	9050220	BOLT M6	BOLT M6X20	10263	2
32	9034634	BOLT	BOLT	10263	2
33	9040299	TILGANGSRØR	EXHAUST PIPE 1	25594	1
34	9040300	UDSTØDNINGSBØJNING	EXHAUST PIPE 2	25595	1

FIG 33: KRUMTAPHUS / CRANKCASE

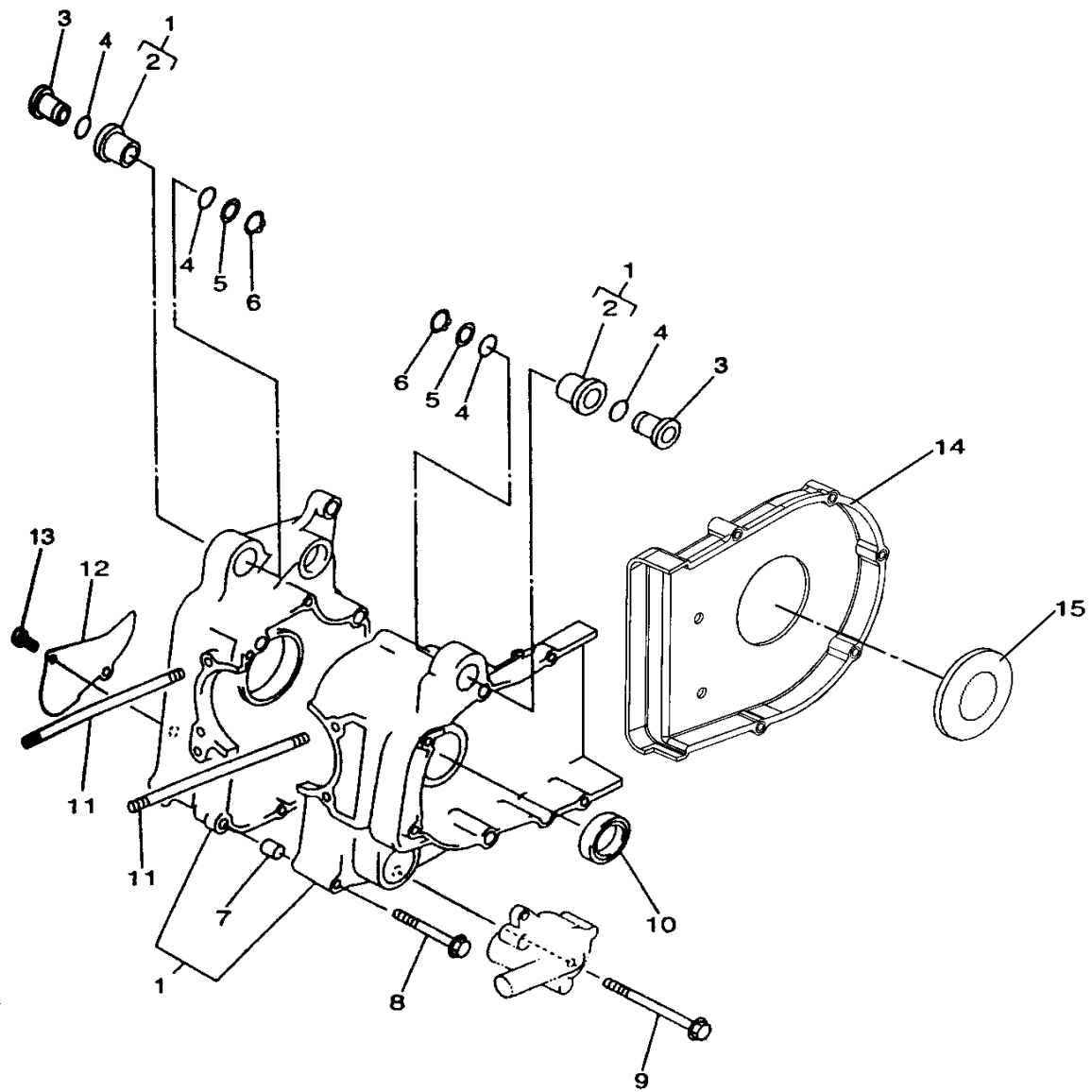




FIG 33: KRUMTAPHUS / CRANKCASE

Ref. no	PL nr / art. no	Varenavn	Art. name	OE no	Antal / pcs
1	N/A	N/A	CRANKCASE ASSY	27204	1
2	9029857	BØSNING	HOLDER	23502	2
3	9029858	BØSNING	COLLAR	23503	2
4	9029859	O-RING 16X2.5	O-RING16X2.5	23504	4
5	9034863	SKIVE	WASHER PLATE 16	23505	2
6	9034864	LÅSERING	CIRCLIP 16	10121	2
7	9034732	STYRETAP	DOWEL PIN 10X14	22422	2
8	9034866	BOLT N6X70	FLANGE BOLT M6X70	23508	4
9	9030873	BOLT CYLINDER M6X100	FLANGE BOLT M6X100	23509	5
10	9035871	PAKDÅSE KRUMTAP V.	OIL SEAL 30X45X5	23510	1
11	9040304	STØTTEBOLT F. CYLINDER 8X253	STUD BOLT M8X253.6	27205	4
12	9034856	KRUMTAPSHUS HALVDEL	COVER CRANKCASE RIGHT	23512	1
13	9034793	BOLT	SOCKET HEAD BOLT M6X14	10036	2
14	N/A	COVER, INDV.	REAR INSIDE COVER	27232	1
15	903489	TÆTNINGSPROP	AIRPROOF COVER	23515	1

FIG 34: SIDEDÆKSLER, VENSTRE & HØJRE / COVERS, LEFT & RIGHT

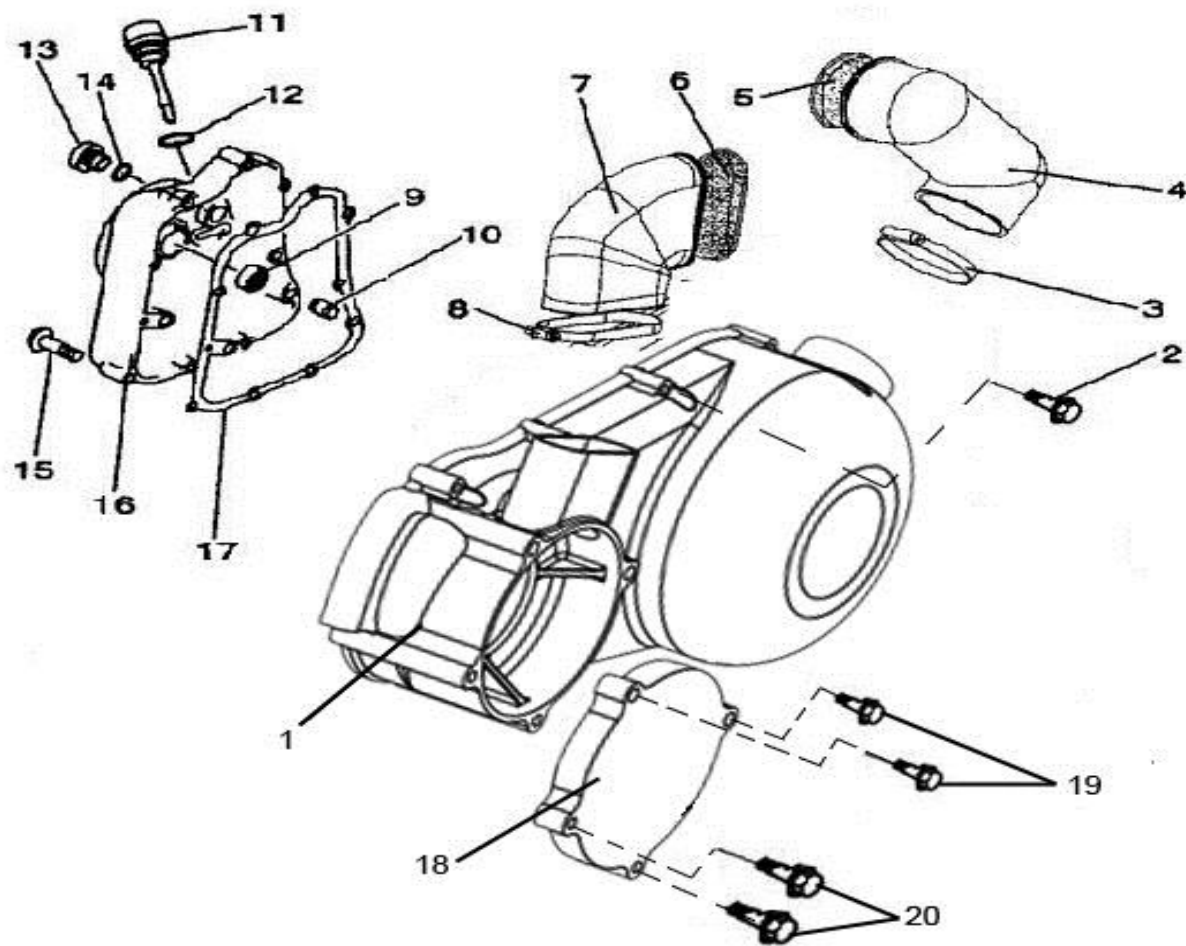


FIG 34: SIDEDÆKSLER, VENSTRE &amp; HØJRE / COVERS, LEFT &amp; RIGHT

Ref. no	PL nr / art. no	Varenavn	Art. name	OE no	Antal / pcs
1	9040305	SIDEDÆKSEL, VENSTRE	COVER CRANKCASE LEFT	27231	1
2	N/A	BOLT	FLANGE BOLT M6X40	10177	6
3	9034880	SPÆNDEBÅND	HOSE CLAMP B	23603	1
4	9029860	UDLUFTNINGSSSLANGE A	JOINT A	23604	1
5	9029861	STØVFILTER B	AIR STRAINER B	23605	1
6	9029862	STØVFILTER A	AIR STRAINER A	23606	1
7	9029863	UDLUFTNINGSSSLANGE B	JOINT B	23607	1
8	9034885	SPÆNDEBÅND	HOSE CLAMP A	23608	1
9	9029775	PAKDÅSE	OIL SEAL	23609	1
10	9034732	STYRETAP	DOWEL PIN 10X14	22422	4
11	9030114	OLIEPROP/PIND	OIL PLUG	23611	1
12	9029773	O-RING 18X2.65	O-RING 18X2.65	10122	1
13	9034873	OLIEPROP	OIL PLUG	23613	1
14	9029714	O-RING	O-RING 14X2.65	10123	1
15	9034875	BOLT	FLANGE BOLT M6X40	23615	15
16	9030693	SIDEDÆKSEL	CAP COVER	23616	1
16	9029586	DÆKSEL (STOR GENERATOR)	CAP COVER (USE WITH HIGH-POWER GENERATOR)	23616A	1
17	9029774	PAKNING	CRANKCASE COVER GASKET RIGHT	23617	1
18	N/A	DÆKSEL	FRONT COVER	27233	1
19	9050221	BOLT	BOLT M6X20	10110	2
20	N/A	BOLT	BOLT M6X110	27208	2

FIG 35: STARTDREV / STARTER

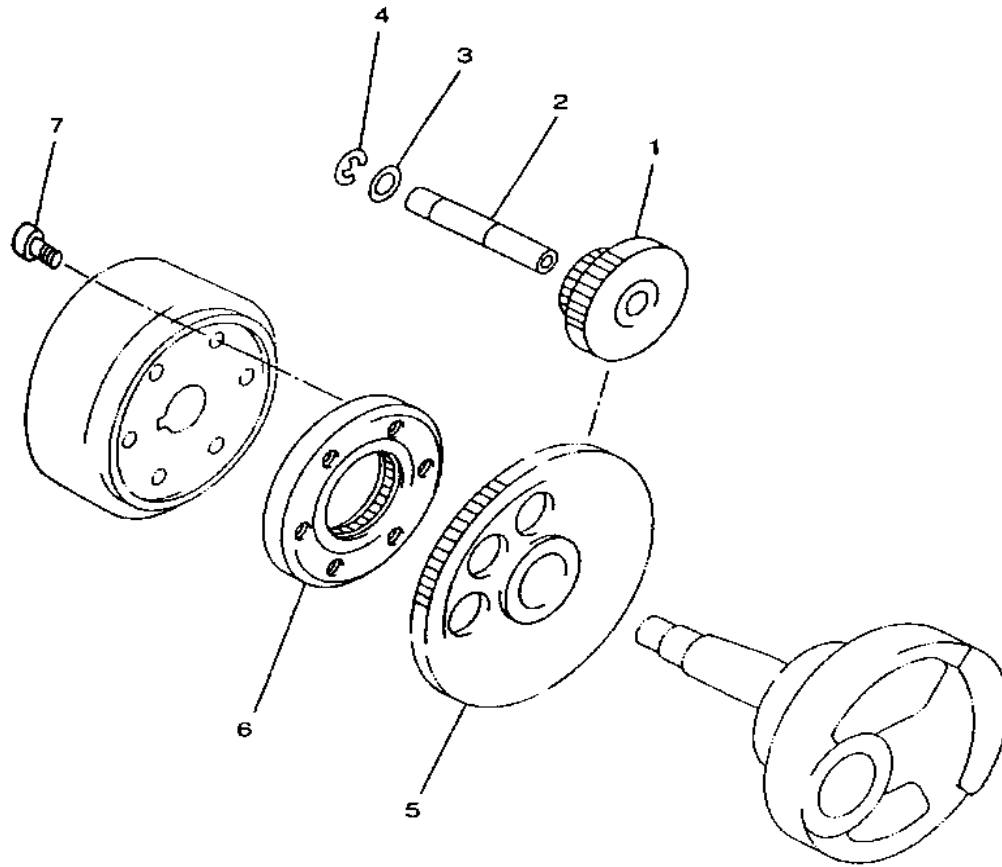


FIG 35: STARTDREV / STARTER

Ref. no	PL nr / art. no	Varenavn	Art. name	OE no	Antal / pcs
1	9029613	STARTER TANDHJUL LILLE	GEAR IDLER	23701	1
2	9040306	AKSEL F. MELLEMAKSEL	SHAFT	23702	1
3	9034890	SKIVE	WASHER 12	23703	1
4	9034891	LÅS	CIRCLIP 12	10129	1
5	9029614	STARTER TANDHJUL STOR	GEAR REDUCTION	23705	1
6	9029615	STARTER KOBLING	STARTER CLUTCH	23706	1
7	9034492	BOLT	SOCKET HEAD BOLT M8X16	10131	3

FIG 36: KOBLING, CVT / CLUTCH

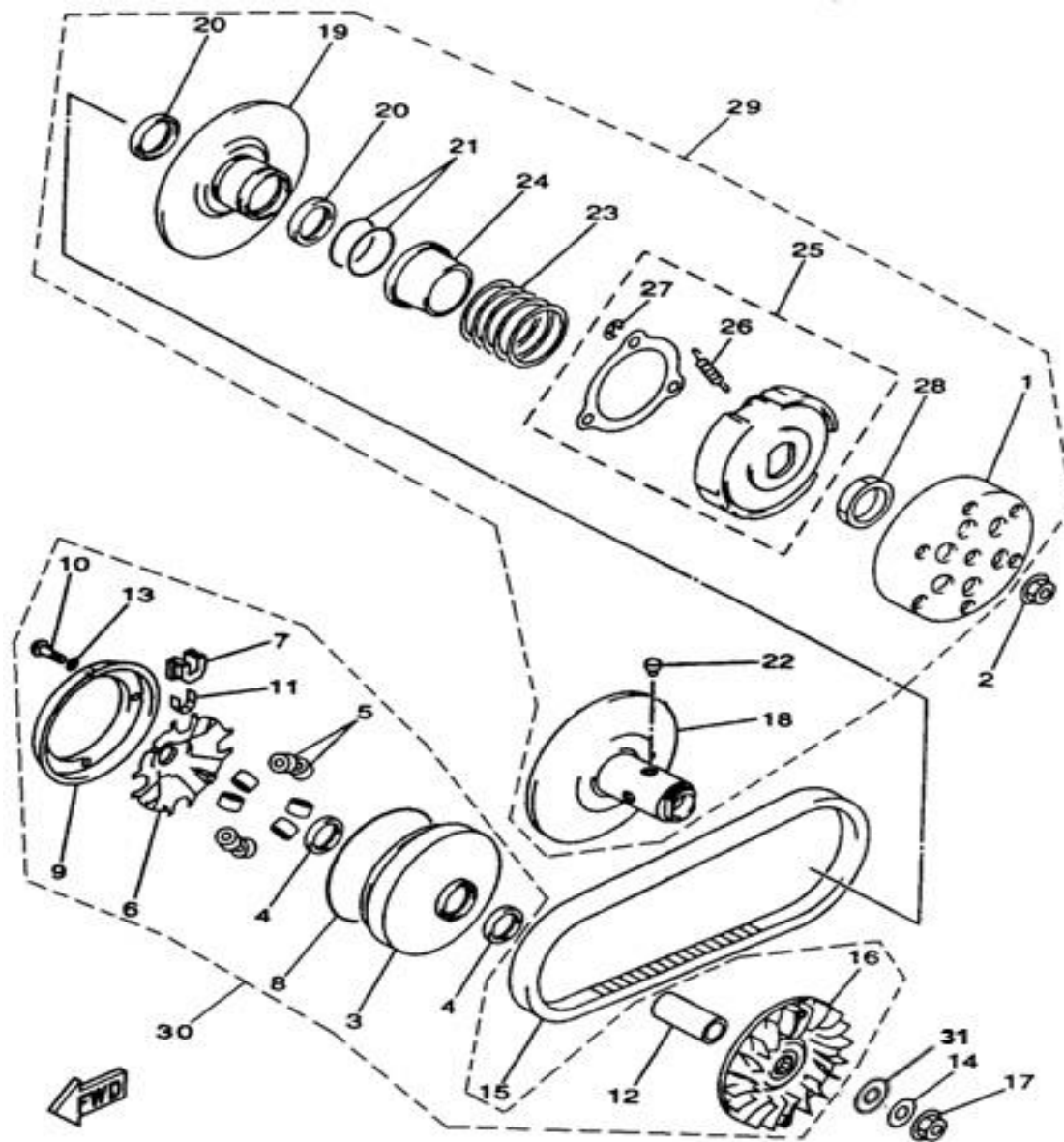


FIG 36: KOBLING, CVT / CLUTCH

Ref. no	PL nr / art. no	Varenavn	Art. name	OE no	Antal / pcs
1	9040313	KOBLINGSSKÅL	CLUTCH HOUSING COMP.	27251	1
2	9029777	MØTRIK M14X1	NUT M14X1	23802	1
3	9034925	REMSKIVE DEL	PRIMARY SLIDING SHEAVE COMP	23803	1
4	9030052	PAKDÅSE	OIL SEAL	23804	2
5	9029910	RULLER	WEIGHT	23805	8
6	9040309	RULLESKÅL	CAM	27246	1
7	9029911	RULLER HOLDER	SLIDER	23807	4
8	9029778	O-RING 118X2.5	O-RING 118X2.5	23808	1
9	9030053	YDRERING	STOPPER	23809	1
10	9034904	SKRUE	PAN HEAD SCREW M4X12	10132	4
11	9029776	AFSTANDSSTYKKE	SPACER 1	23811	4
12	N/A	KRAVE	COLLAR	27252	1
13	9034907	SKIVE	WASHER PLATE 4	23813	4
14	9034908	SKIVE	WASHER PLATE 14	23814	1
15	9030051	VARIATORREM	V-BELT	23815	1
16	9040310	SKIVEDEL	SHEAVE PRIMARY FIXED	27247	1
17	9029777	MØTRIK M14X1	NUT M14X1	23802	1
18	9034912	REMSKIVEDEL	SECONDARY FIXED SHEAVE	23818	1
19	9034913	REMSKIVEDEL	SECONDARY SLIDING SHEAVE	23819	1
20	9030695	PAKDÅSE	OIL SEAL	23820	2
21	9034916	O-RING	O-RING 45X1.8	23821	2
22	9034917	STYRETAP	PIN GUIDE	23822	4
23	9034918	TRYKFJEDER	COMPRESSION SPRING	23923	1
24	9034919	FJEDERBØSNING	SEAT SECONDARY SPRING	23924	1
25	9040312	SLYNGKOBLING LØS	CLUTCH CARRIER ASSY	27249	1
26	9045310	KOBLINGSFJEDER	CLUTCH WEIGHT SPRING 1	27250	3
27	9034922	LÅSERING	CIRCLIP 8	10133	3
28	9034923	MØTRIK	NUT M36X1.5	23928	1
29	9040311	SLYNGKOBLING KPL.	DRIVEN ASSY COMPLETE	27248	1
30	9040314	VARIATOR KPL.	DRIVE ASSY COMPLETE	27254	1
31	N/A	PLADE F/SKIVE	WASHER PLATE 21.5	27253	1

FIG 37: STØTTELEJE FOR KOBLING / HIGH-POWER CLUTCH STAND, ASSY

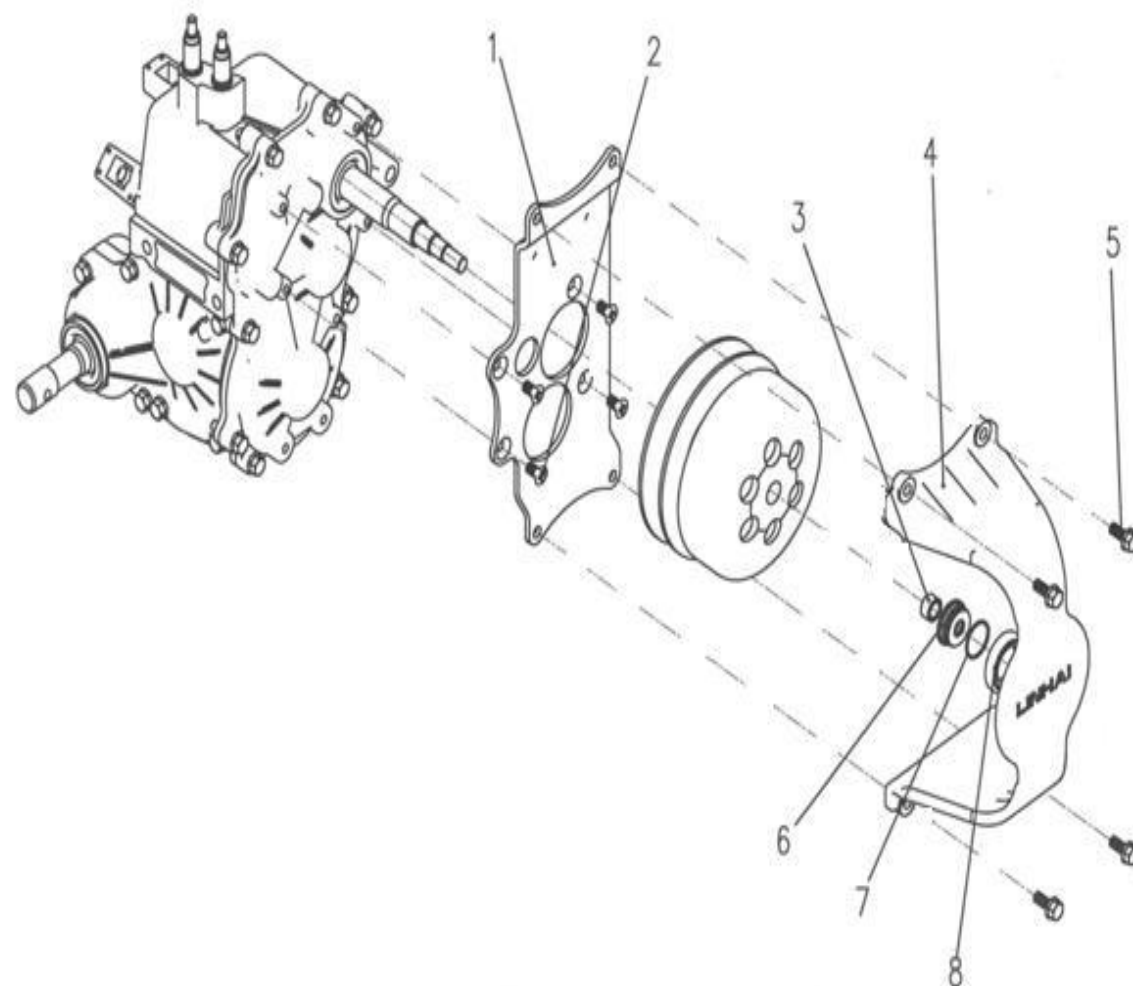




FIG 37: STØTTELEJE FOR KOBLING / HIGH-POWER CLUTCH STAND, ASSY

Ref. no	PL nr / art. no	Varenavn	Art. name	OE no	Antal / pcs
1	9029587	BESLAG 1	BRACKET 1	23941	1
2	9029864	SKRUE M8X12	SWCREW M8X12	10424	4
3	9029779	MELLEMLÆG LILLE	SMALL SPACER	23942	1
4	9029588	BESLAG 2	BRACKET 2	23943	1
5	9034899	BOLT	BOLT M8X22	10425	4
6	9030054	MELLEMLÆG	SPACER	23944	1
7	9029780	O-RING 26.5X1.8	O-RING 26.5X1.8	10321	1
8	9030055	KUGLELEJE	BEARING 6906Z	10426	1

FIG 38: GENERATOR / GENERATOR

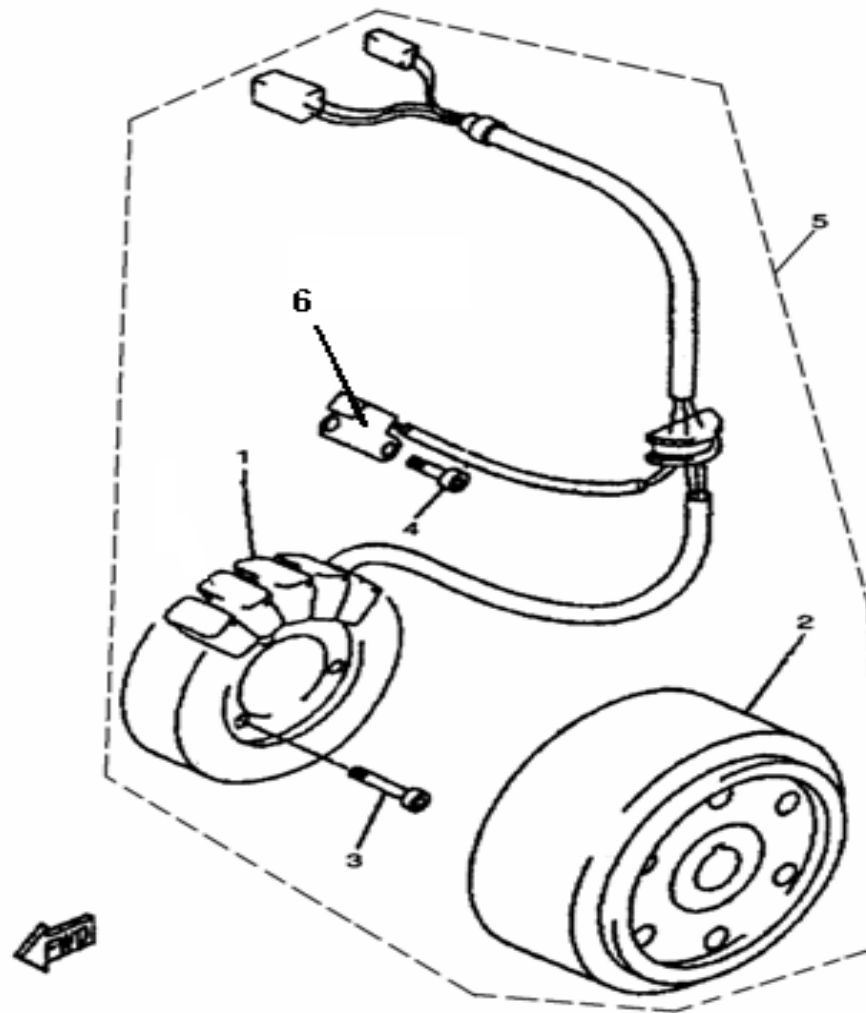


FIG 38: GENERATOR / GENERATOR

Ref. no	PL nr / art. no	Varenavn	Art. name	OE no	Antal / pcs
1	9040316	STATOR	STATOR ASSY (THE COLOR OF a IS WHITE)	24001	1
2	9040318	SVINGHJUL LØS	ROTOR ASSY (GREEN COLOR)	27244	1
3	9034936	BOLT	SOCKET HEAD BOLT M5X25	10134	3
4	9040315	BOLT	SOCKET HEAD BOLT M6X25 (FOR HEAVY POWER OR EFI)	10085	3
5	9034937	BOLT	SOCKET HEAD BOLT M5X12	10135	2
6	9040317	GENERATOR KPL. M. SVINGHJUL	GENERATOR ASSY	27243	1
7	9029781	HALL GIVER	PICK UP COIL	24006	1

FIG 39: STARTMOTOR, 12V / STARTING MOTOR

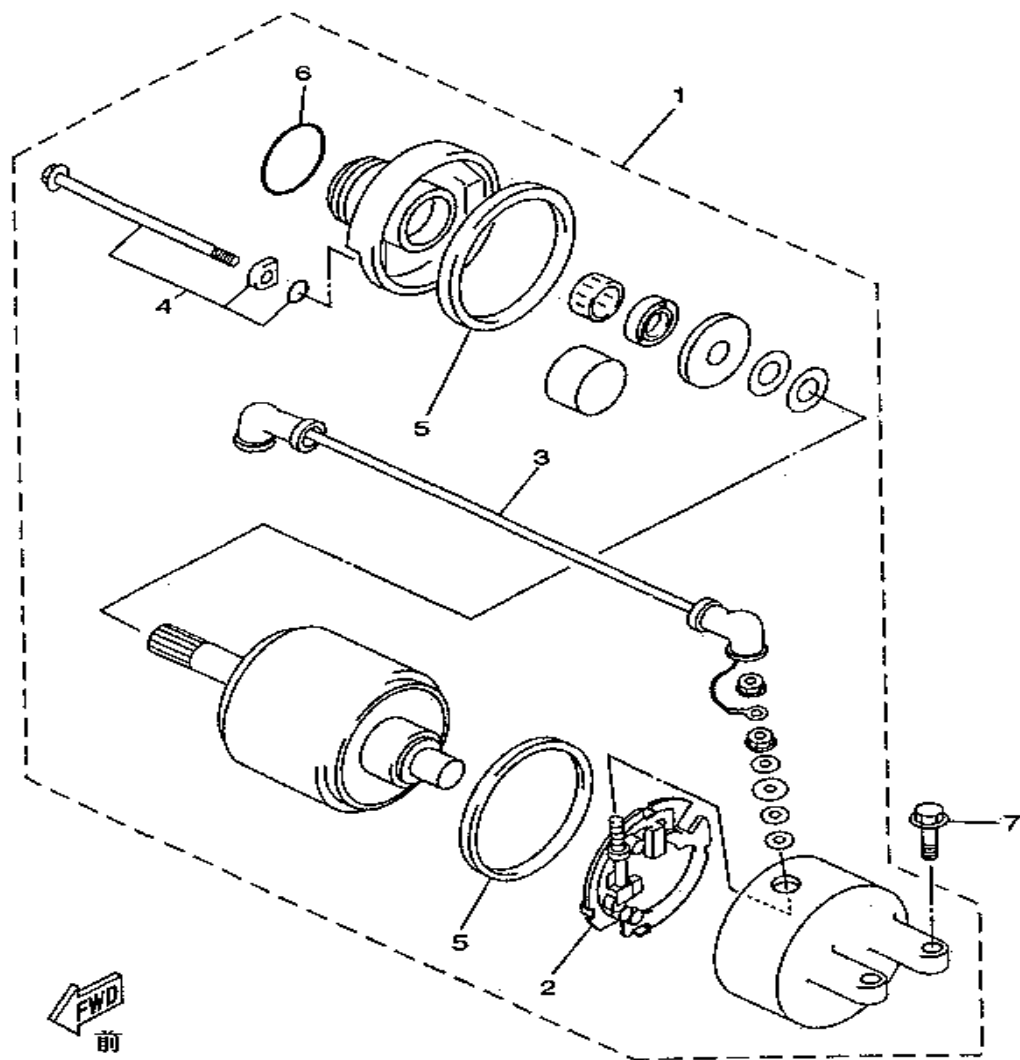


FIG 39: STARTMOTOR, 12V / STARTING MOTOR

Ref. no	PL nr / art. no	Varenavn	Art. name	OE no	Antal / pcs
1	9030086	STARTER KOMPLET	STARTING MOTOR ASSY	24101	1
2	9029996	KULHOLDER	BRUSH HOLD ASSY	24102	1
3	9034943	LEDNING	CORD,STARTER MOTOR	24103	1
4	9034944	BOLT	BOLT	24104	2
5	9034945	PAKNING	GASKET	24105	2
6	9034946	O-RING	O-RING 24.5X3	24106	1
7	9034947	BOLT	FLANGE BOLT M6X25	24107	2

FIG 40: MOTOR & OPHÆNG / ENGINE

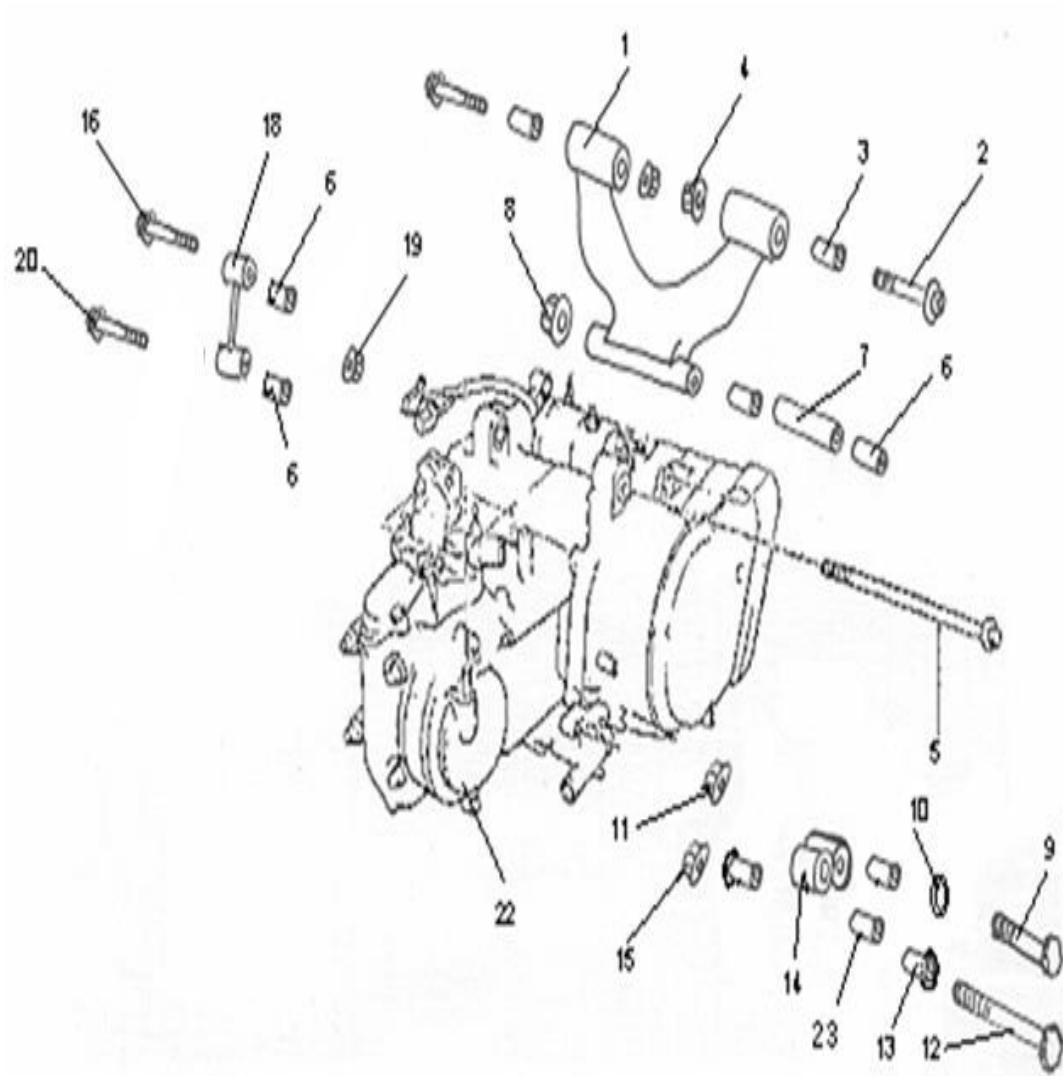


FIG 40: MOTOR &amp; OPHÆNG / ENGINE

Ref. no	PL nr / art. no	Varenavn	Art. name	OE no	Antal / pcs
1	9040320	MOTOROPHÆNG, FRONT	FRONT ENGINE MOUNT BRACKET	27291	1
2	9034164	BOLT	ENGINE BRACKET BOLT	24202	2
3	9029786	BØSNING FORRESTE MOTORBESLAG	BUSHING ENGING BRACKET1	24203	2
4	9033896	MØTRIK	NUT M12X1.25	10136	2
5	N/A	BOLT	ENGINE MOUNTING BOLT	27294	1
6	9029865	BØSNING FORRESTE M.BESLAG NED	BUSHING ENGING BRACKET2	24206	4
7	N/A	BESLAG	SPACER ENGINE BRACKET	27293	1
8	9031005	HJULMØTRIK, FOR, FLANGE	NUT M10X1.25	10015	1
9	9034175	BOLT	BOLT M10X1.25X55	10016	1
10	N/A	SKIVE	WASHER	27295	1
11	9031005	HJULMØTRIK, FOR, FLANGE	NUT M10X1.25	10015	1
12	9034156	BOLT	BOLT M8X120	10137	1
13	9029782	MELLEMLÆG VENSTRE	LEFT SPACER	24213	2
14	9029783	MOTORBESLAG VENSTRE	STAY ENGINE LEFT	24214	1
15	9050207	MØTRIK	NUT M8	10079	1
16	9034160	BOLT	BOLT M10X1.25X68	10138	1
18	9029784	MOTORBESLAG HØJRE	STAY ENGINE RIGHT	24218	1
19	9031005	HJULMØTRIK, FOR, FLANGE	NUT M10X1.25	10015	1
20	9034165	BOLT	BOLT M8X65	10139	1
22	9040319	MOTOR KPL. LH400	ENGINE ASSY	27218	1
23	9030057	BØSNING	BUSHING	24223	2

FIG 41: FORHJULSTRÆK / FRONT GEARBOX

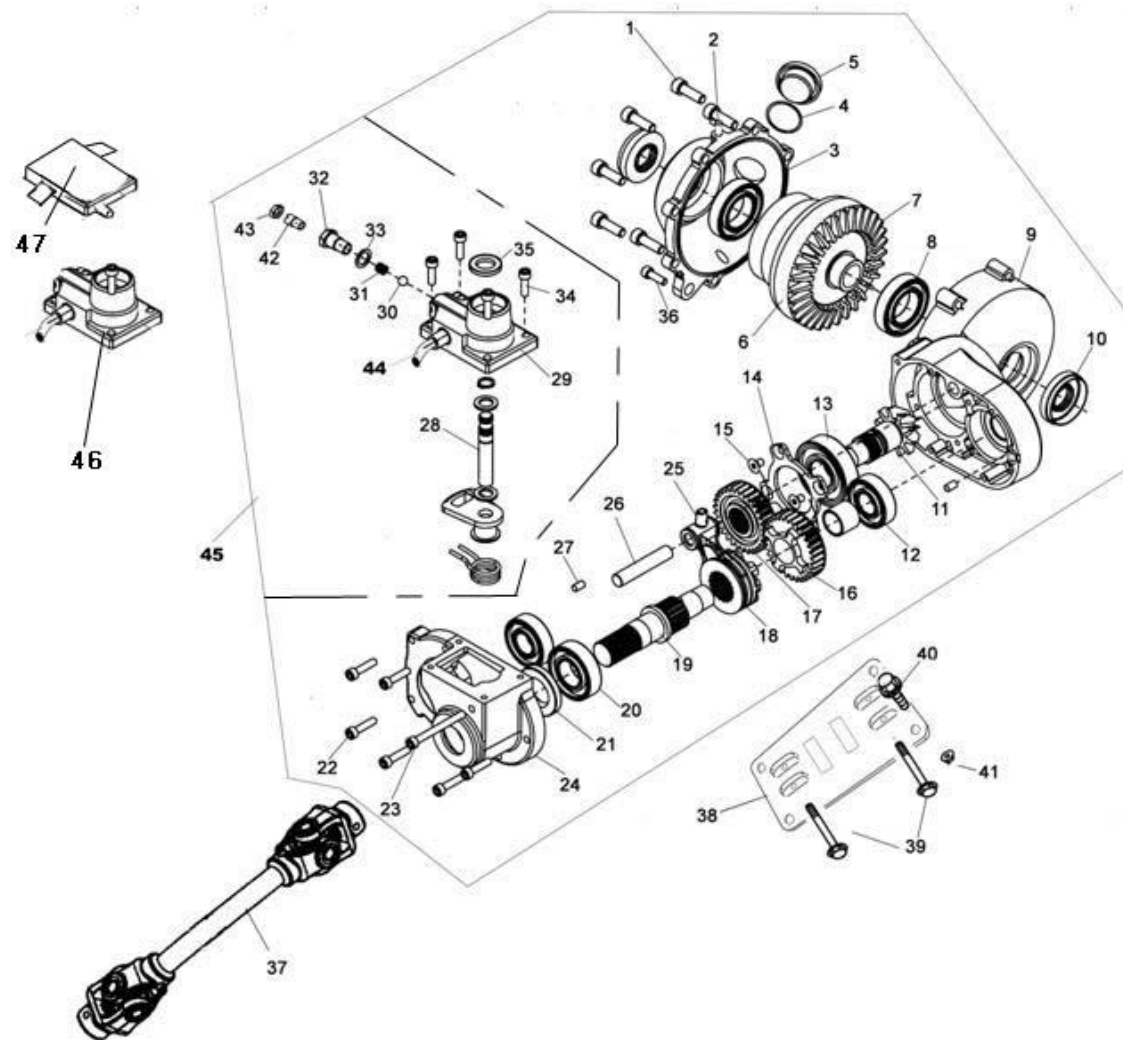




FIG 41: FORHJULSTRÆK / FRONT GEARBOX

Ref. no	PL nr / art. no	Varenavn	Art. name	OE no	Antal / pcs
1	9033887	BOLT	BOLT M8X25	10059	7
2	N/A	FITTING	VENT FITTING	24302	1
3	9034528	SIDEDÆKSEL	LEFT COVER	24303	1
4	9029773	O-RING 18X2.65	O-RING 18X2.65	10122	1
5	9034543	PÅFYLDNINGSSPROP	DIFF FILLERPLUG	24305	1
6	9034545	DIFFRENTIALE	FOC BODY	24306	1
7	9034547	KRONHJUL	BEVEL CROWNWHEEL	24307	1
8	9038553	LEJE	BEAR 6006	10202	2
9	9034551	DIFFRENTIALE HUS	DIFFCASE RHS	24309	1
10	9030087	PAKDÅSE SDD722X48X11	SEAL SDD722X48X11	24310	2
11	9034506	SPIDSHJULS AKSEL	CONICAL WITH HELICAL GEARING	24311	1
12	9036036	LEJE	BEAR 6204	10062	2
13	9033983	LEJE	BEAR 6305ST	10074	1
14	903409	LEJEHOLDER	CASEBEAR RETAINER	24314	1
15	9034510	SKRUE	SCREW M6X12	10287	4
16	9034511	TANDHJUL	DIFF GEAR	24316	1
17	9034512	TANDHJUL	DIFF GEAR DRIVEN	24317	1
18	9034513	SKIFTEKLO	SPLINED DOG	24318	1
19	9034514	INDGANGS AKSEL	DIFF INPUTSHAFT A	24319	1
20	9038576	LEJE	BEAR 6205	10267	1
21	9030088	PAKDÅSE TC25X47X7	SEAL TC25X47X7	24321	1
22	9050222	BOLT	BOLE M6X30	10182	6
23	9050226	BOLT	BOLE M6X70	10160	1
24	9034521	BAGDÆKSEL	REAR COVER	24324	1
25	9034522	SKIFTEGAFFEL	DIFF SELECTOR FORK	24325	1
26	9034523	AKSEL F/SKIFTEGAFFEL	SELECTOR RAIL	24326	1
27	9024524	TAP	PIN	24327	1
28	9034525	SKIFTEAKSEL	SELECTOR SHAFT	24328	1
29	9034526	SKIFTEAKSEL DÆKSEL	SELECTOR COVER	24429	1
30	9034529	KUGLE FOR GEARLÅS	STEEL BALL 8	10203	1
31	9034530	FJEDER FOR GEARLÅS	SPRING	24431	1
32	9034531	KUGLEFORING	INDENT BALL INSERT	24433	1
33	9034532	SKIVE	WASHER	24432	1
34	9034190	BOLT	BOLT M6X16	10183	4

35	9030089	PAKDÅSE TC12X28X7	SEAL TC12X28X7	24435	1
36	9034535	BOLT	BOLT M8X16	10168	1
37	9029998	KARDANAKSEL MELLE	FRONT PROPSHAFT ASSY	24437	1
38	N/A	BAGSTOP	FRONT GEAR-BOX BACKSTOP	24438	1
39	N/A	BOLT M10X1.25X43	BOLT M10X1.25X43	10208	2
40	N/A	BOLT M10X1.25X20	BOLT M10X1.25X20	10163	4
41	9033940	MØTRIK	NUT M10	10209	6
44	9030090	SKIFTEKONTAKT	4WD AND 2WD SWITCH	24444	1
45	9029590	FORRESTE GEARKASSE INCL. DIFF	FRONT GEAR-BOX	24445	1
46	9029999	SKIFTEMOTOR ELEKTRISK	2WD/4WD SHIFT MOTOR	24446	1
47	9041251	SKIFTERELÆ	2WD/4WD SHIFT ELECTRONIC CONTROLER	24447A	1



FIG 42: DIFFERENTIALE / FOC BODY

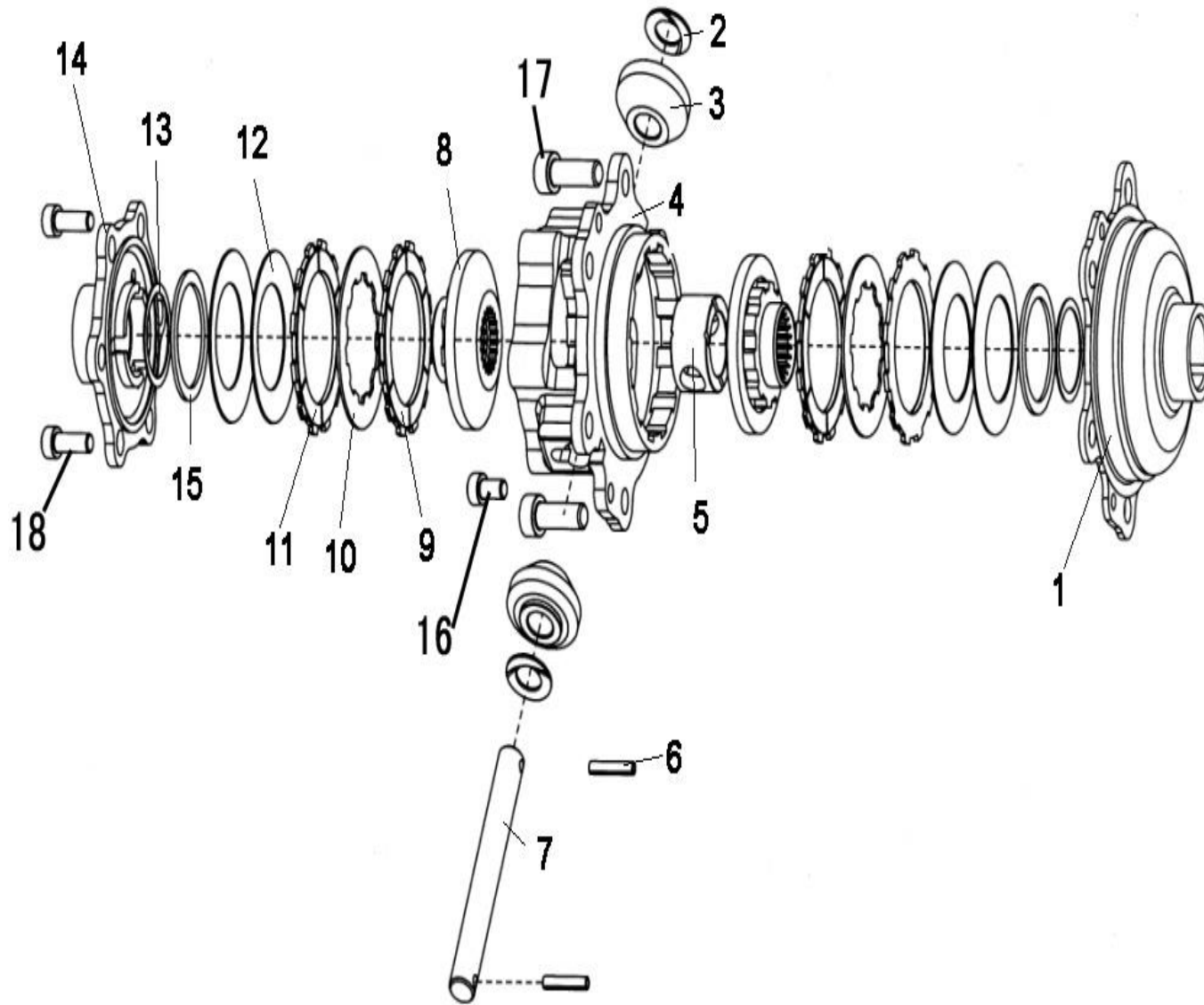
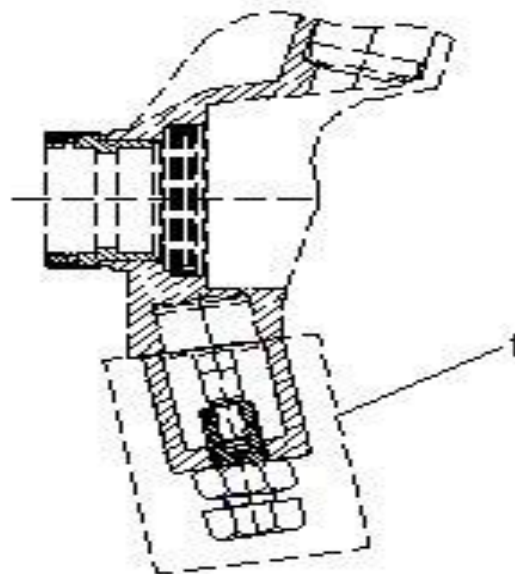


FIG 42: DIFFERENTIALE / FOC BODY

Ref. no	PL nr / art. no	Varenavn	Art. name	OE no	Antal / pcs
1	9029591	DIFFENTIALEHUS	LARGER COVER	24701	1
2	9029593	SKIVE	WASHER	24702	2
3	9029594	PLANETGEARHJUL	PINION	24703	2
4	9034496	DIFFENTIALEHUS	HOUSING	24704	1
5	9029595	PLANETGEAR BØSNING	CENTER SPACER	24705	1
6	9034498	NAGLE	ROLL PIN	10003	2
7	9029787	BØSNING	CENTER PIN	24707	2
8	9029596	SOLHJUL	BEVEL GEAR	24708	2
9	9029796	KOBLINGSPLADE YDER DB.BELÆGNIN	CLUTCH PLATE OUTER DOUBLE	24709	2
10	9029791	KOBLINGSPLADE INDER	CLITCH PLATE INNER	24710	2
11	9029792	KOBLINGSPLADE YDER ENKELT	CLUTCH PLATE OUTER SINGLE	24711	2
12	9029793	FJEDERSKIVE	DISHED SPRING	24712	4
13	9029794	SKIVE	WASHER	24713	2
14	9029592	DÆKSEL LILLE	SMALL COVER	24714	1
15	9029795	FJEDERSKÅL	SPING SEAT	24715	2
16	9034491	SKRUE	SCREW M6X15	10083	2
17	9034492	BOLT	SCREW M8X16	10131	6
18	9034493	BOLT	BOLT M8X15	24718	6

FIG 43: SPECIALVÆRKTØJ / SPECIAL TOOL KIT



Ref. no	PL nr / art. no	Varenavn	Art. name	OE no	Antal / pcs
1	9029638	SPECIALVÆRKTØJ F. STYRETØJ	TOOL FOR BALL JOINT,STRUT REMOVAL	24801	1