

DK

Reservedelsoversigt

**P-Lindberg**

Varenr: 9053947

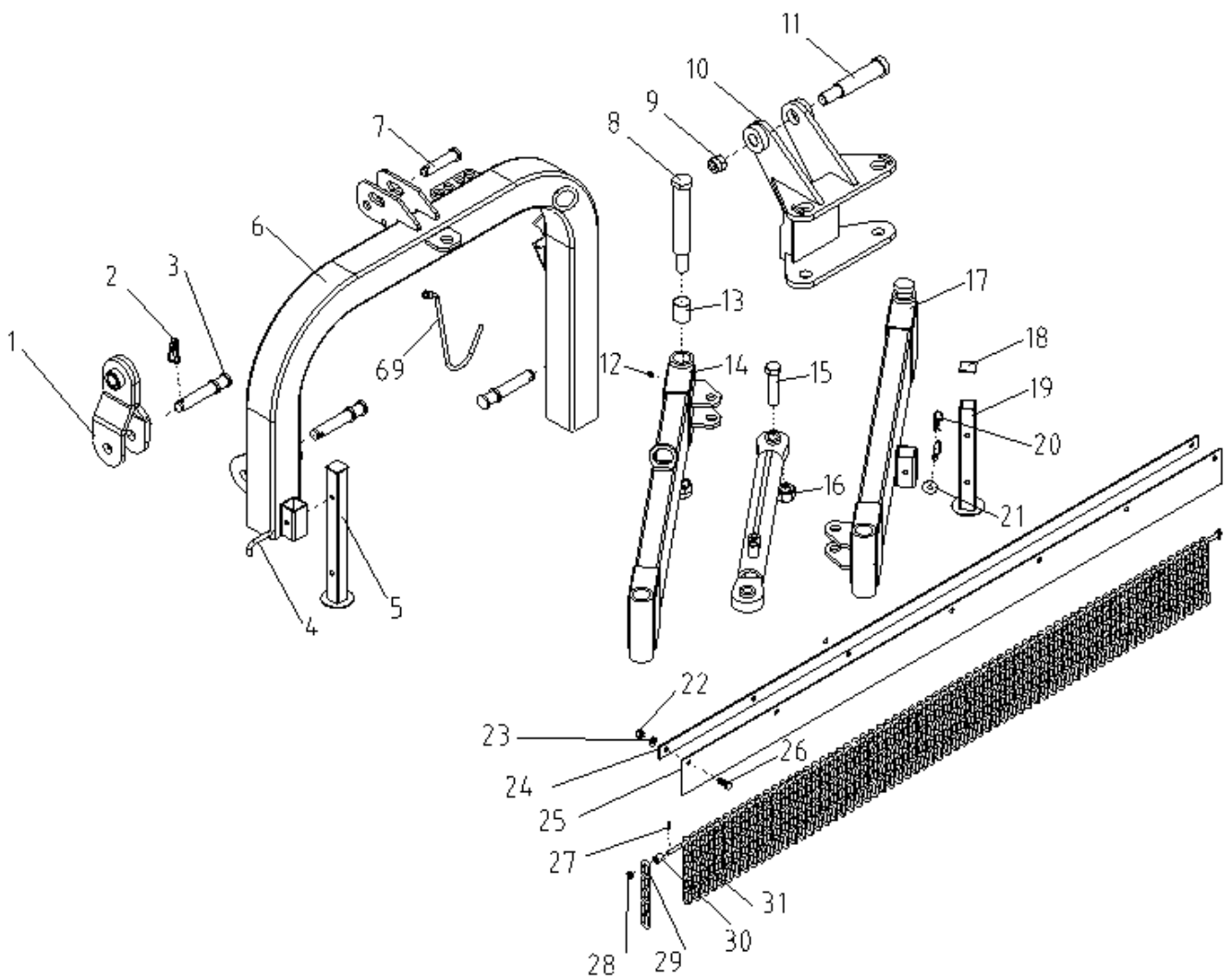
## Slagleklipper PTO 220 cm



Sdr. Ringvej 1 - 6600 Vejen - Tlf. 70 21 26 26 - Fax 70 21 26 30  
[www.p-lindberg.dk](http://www.p-lindberg.dk)

## Slagleklipper 220 cm - Varenr. 9053947

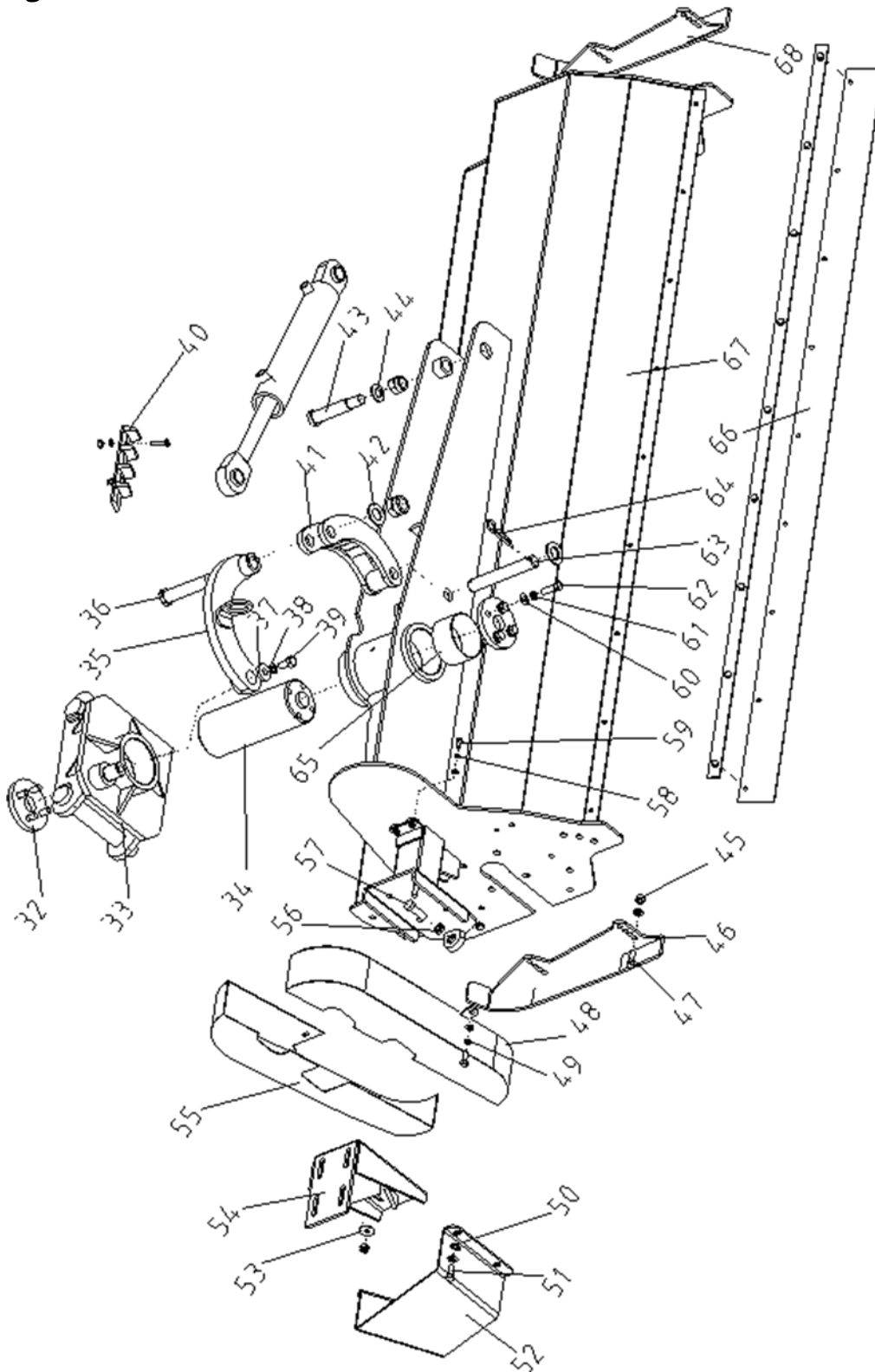
Fig 1:



**Fig 1:**

Ref	Varenr / art no	Varenavn	Art name	stk/qty
1	9053451	Vippebeslag F/påkørsel	Small hanging weldment	1
2	N/A		Locking pin 12	3
3	N/A		Pin for lifting	3
4	N/A		Bent pin	2
5	N/A		Supporting frame (S)	1
6	90565222	U-bøjle / trepunktsophæng	Hanging weldment	1
7	N/A		Pin shaft	1
8	9044184	Stift / pin (L)	Pin (L)	4
9	9044186	Låsemøtrik	Locking nut M30X2	6
10	N/A		Sway seat	1
11	9056524	Stift / pin (S)	Pin (S)	1
12	N/A		Oil cup M10X1	7
13	9045008	Bøsning	Bushing 40X44X50	8
14	N/A		Front swinging arm	1
15	9056525	Bolt, M24x100	Bolt M24X100	2
16	9050510	Låsemøtrik M24	Locking nut M24	3
17	N/A		Rear swinging arm	1
18	N/A		Cover (B)	2
19	N/A		Supporting frame (L)	1
20	N/A		R pin 3.2	2
21	9050204	Planskive M12	Plain washer 12	10
22	9050215	Låsemøtrik	Locking nut M10	40
23	9050203	Planskive M10	Plain washer 10	42
24	N/A		Press plate	2
25	9056526	Gummiplade	Rubber plate	1
26	9050241	Bolt M10x30	Bolt M10X30	42
27	N/A		Splitpin 3.2x25	2
28	9050202	Planskive M8	Plain washer 8	4
29	9049897	Sikkerhedskæde	Link	92
30	9049898	Afstandsstykke	Sleeve	93
31	9056527	Aksel f/kæde	Shaft for link	1

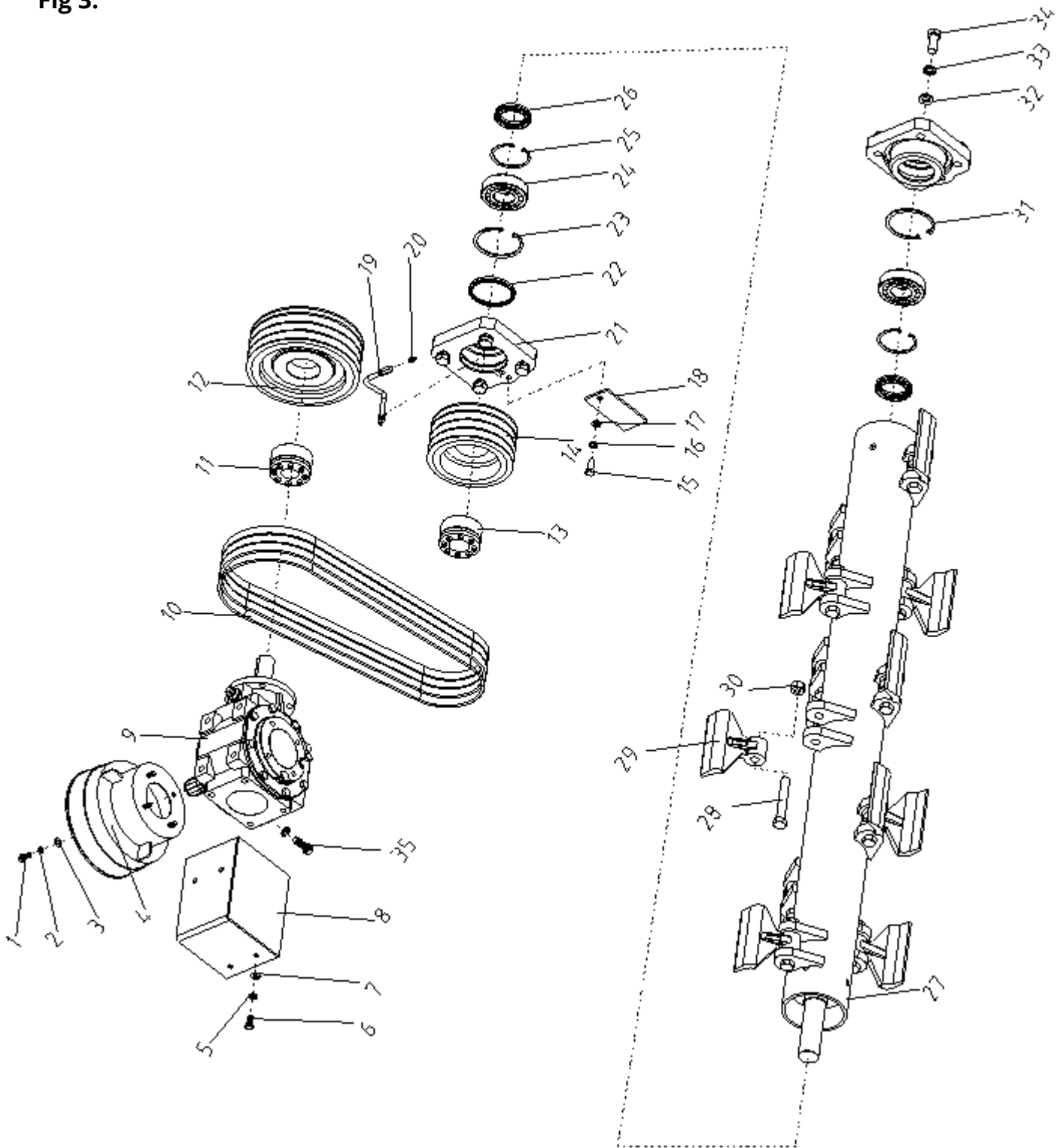
Fig 2:



**Fig 2:**

Ref	Varenr / art no	Varenavn	Art name	stk/qty
32	9057720	Låseskive f/kongetap	Cover	2
33	9056528	Aksel, roterende	Rotating shaft	1
34	9057721	Kongetap/drejetap	Shaft	1
35	9056529	Vippebeslag	The moon plate	1
36	9056530	Top stift / pin	Top Pin	1
37	9056531	Skive, kraftig	Thick washer	1
38	N/A		Spring washer 16	1
39	9050258	Bolt M16x30	Bolt M16X30	1
40	9056532	Plade, jern	Cast plate	11
41	9056533	Vippebeslag dobbelt	Push pedal	1
42	N/A		Plain washer 30	3
43	9056534	Stift / pin (bund)	Bottom Pin	1
44	N/A		Plain washer 24	3
45	N/A		Locking nut M12	8
46	9043084	Slæbesko venstre	Base plate (L)	1
47	N/A		Bolt M12X35	7
48	9056535	Rem skærm, højre	Belt cover (R)	1
49	N/A		Spring washer 10	2
50	N/A		Spring washer 12	4
51	9050250	Bolt M12X50	Bolt M12X30	4
52	9056536	Remskive skærm	Belt pulley Cover	1
53	N/A		Plain washer 8	4
54	9056537	Justerbar ramme f/gearkasse	Adjusting frame f/gear box	1
55	9056538	Rem skærm, venstre	Belt cover (L)	1
56	9050210	Møtrik M16	Nut M16X1.5	1
57	9050260	Bolt M16	Bolt M16X1.5x50	1
58	N/A		Spring washer 8	2
59	9050231	Bolt M8x20	Bolt M8X20	2
60	N/A		Plain washer 14	8
61	N/A		Spring washer 14	8
62	N/A		Bolt M14X45	8
63	9056539	Hovedaksel, komplet	Shaft	1
64	N/A		R pin	2
65	9043109	Bøsning	Bushing 110X115X60	3
66	9056540	Gummiplade	Rubber plate	1
67	N/A		The cover weldment	1
68	9043094	Slæbesko højre	Base plate (R)	1
69	N/A		Hook	1

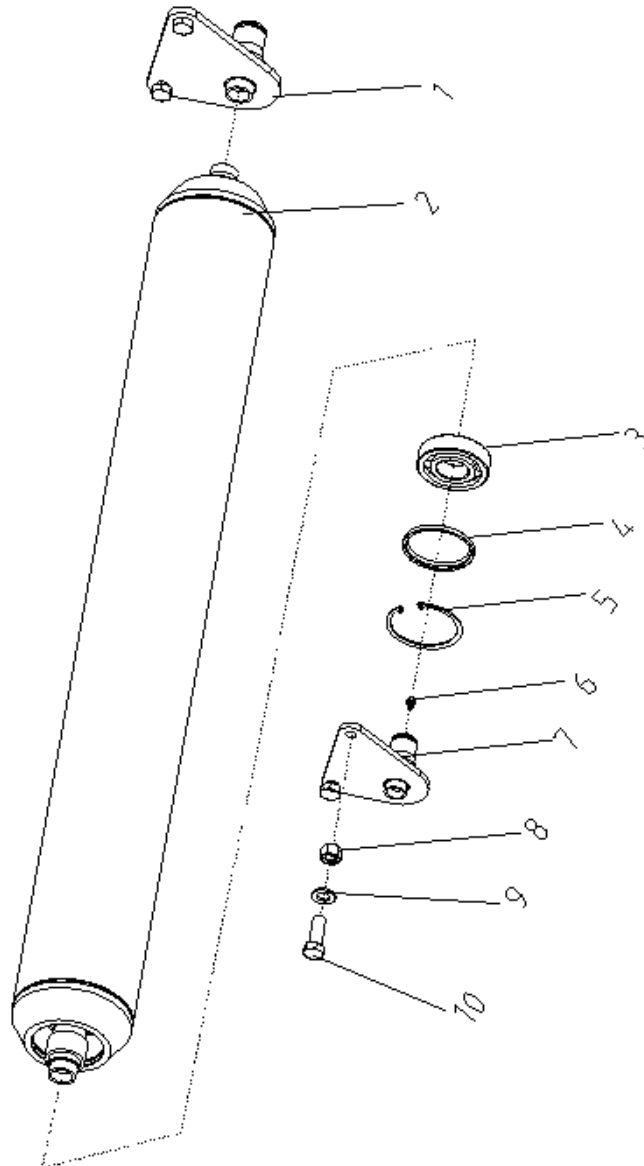
Fig 3:



**Fig 3:**

Ref	Varenr / art no	Varenavn	Art name	stk/qty
1	9050231	Bolt M8X20	Bolt M8X20	4
2	N/A		Spring washer 8	4
3	9050202	Planskive M8	Plain washer 8	4
4	9055508	PTO skærm	Guard shade	1
5	N/A		Spring washer 12	8
6	9050250	Bolt M12X30	Bolt M12X30	4
7	9050204	Planskive M12	Plain washer 12	8
8	9057722	Geatkasse dæksel	Gear box Cover	1
9	9056541	Gearkasse, komplet	Gear box assembly	1
10	9055584	Rem SPB1393	Strap SPB1393	4
11	9043100	Taperlock f/vinkelgear	Swellable sleeve	1
12	9056542	Remskive, stor	Big belt pulley	1
13	9043095	Taperlock f/knivtromle	Swellable sleeve	1
14	9056543	Remskive, lille	Small belt pulley	1
15	9050241	Bolt M10x25	Bolt M10x25	1
16	N/A		Spring washer 10	1
17	9050203	Planskive M10	Plain washer 10	1
18	N/A		Fender	1
19	9056544	Olieslange / rør	Oil pipe	1
20	N/A		Oil cup	2
21	9043093	Lejehus	Bearing seat	2
22	9043085	Pakdåse	Oil seal	1
23	9048902/9050530	Låsering indvendig	Circlip 90	2
24	9043092	Leje	Bearing	2
25	9048903/9045240	Låsering indvendig	Circlip 80	2
26	9043091	Pakdåse	Oil seal 45x80x10	2
27	9056546	Hovedaksel 220cm	Blade axle weldment	1
28	9043086	Bolt M16x1.5x100	Bolt M16x1.5x100	20
29	9043087	Slagle 140mm bred Ø16	Hoe	20
30	9051740	Låsemøtrik M16	Locking nut M16	20
31	9056547	Låsering	Circlip	1
32	9050205	Planskive M16	Plain washer 16	8
33	N/A		Spring washer 16	8
34	9050259	Bolt M16X40	Bolt M16X40	8
35	9050251	Bolt M12X35	Bolt M12X35	4

**Fig 4:**



**Fig 4:**

Ref	Varenr / art no	Varenavn	Art name	stk/qt y
1	9043088	Akseltap for rulle højre	Supporting for roller (R)	1
2	9056548	Bagrulle	Roller weldment	1
3	9038582	Leje	Bearing 6308	2
4	9043085	Pakdåse	Oil seal 40X90X10	2
5	9050530	Låsering indvendig	Circlip 90	2
6	9037437	Smørenippel	Oil cup M10X1	2
7	9043089	Akseltap for rulle venstre	Supporting for roller (L)	1
8	9050217	Låsemøtrik	Locking nut M16	4
9	9050205	Planskive	Plain washer 16	4
10	9050260	Bolt M16X45	M16X45	4



Fig 5:

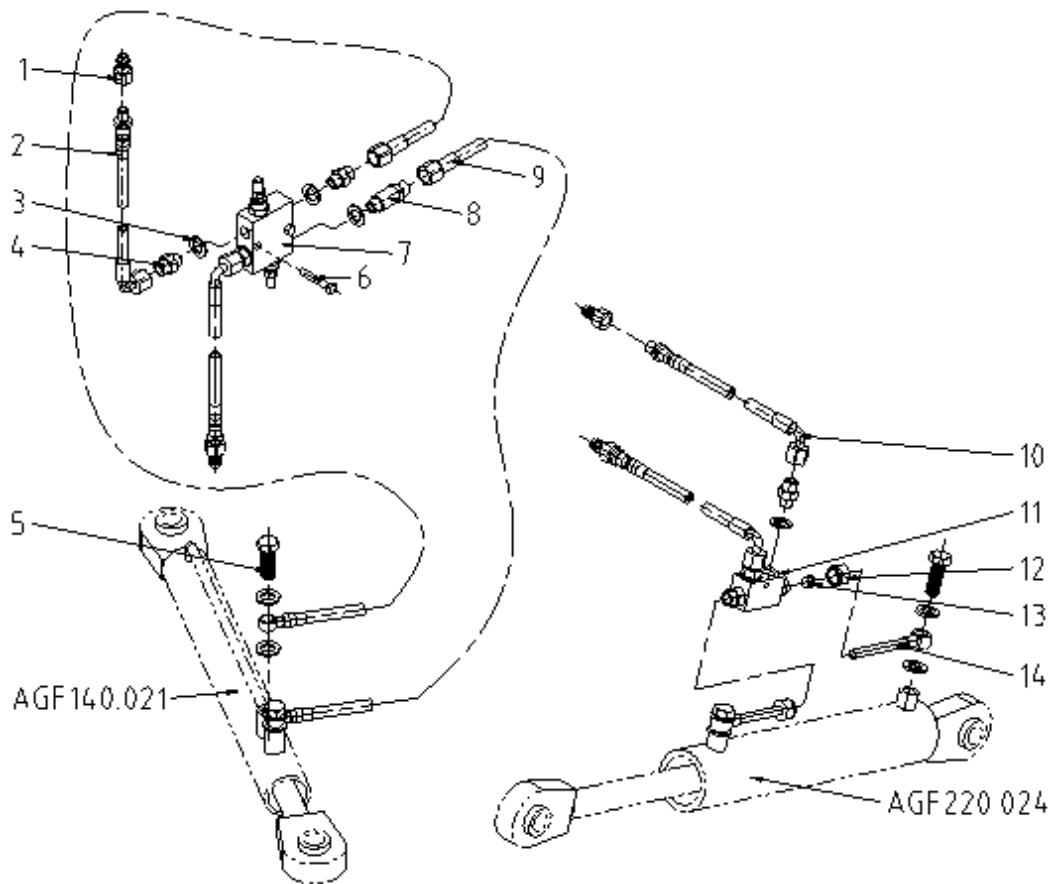


Fig5:

Ref	Varenr / art no	Varenavn	Art name	stk/qt y
1	N/A		Quick connector R1/2"	4
2	9056549	Olieslange / rør	Oil pipe	2
3	N/A		Seal washer 16	14
4	N/A		Short adaptor	5
5	N/A		Bolt M16X1.5X45	4
6	N/A		Bolt M8X40	2
7	9046993	Chockventil dobbelt	Valve	1
8	9046995	Brystnippel 3/8"X M18 Lang	Long Adaptor	1
9	9056550	Olieslange / rør	Oil pipe	2
10	9056551	Olieslange / rør	Oil pipe	2
11	9046998	Kontraventil dobbelt pilotstyret	Valve	1
11.1	9049138	Brystnippel 3/8"X M18		1
12	9047001	Omløber M18	Nut	2
13	9047000	Skæring Ø12	Bushing	2
14	9046999	Forbindelsesrør Ø12XØ16 banjo	Adaptor weldment	2
	9060692	Cylinder f/sideforskydning	Hydraulic cylinder	1

Vi forbeholder os ret til uden foregående varsel at ændre de tekniske parametre og specifikationer for dette produkt.