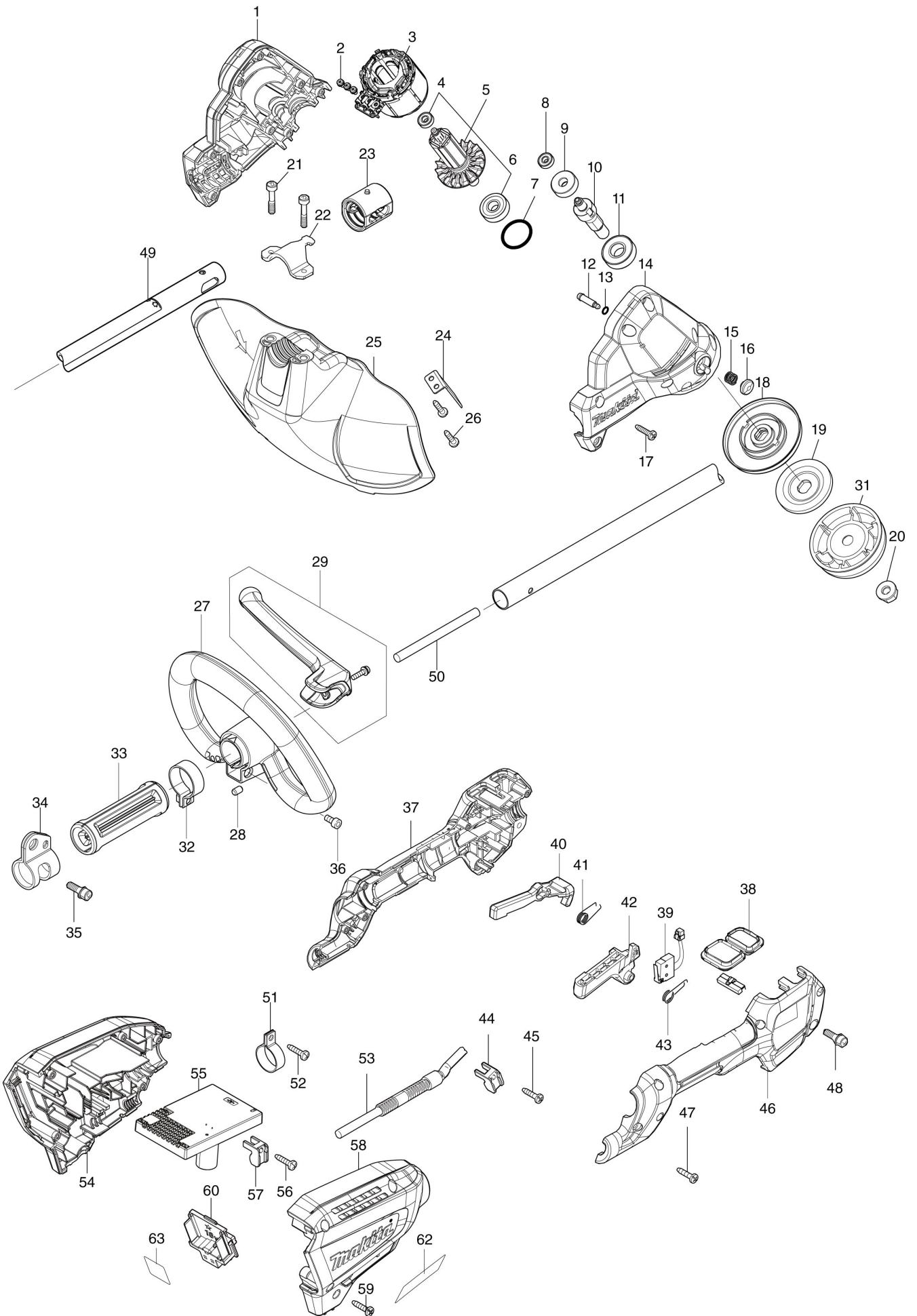


(SE) DUR190L / CORDLESS GRASS TRIMMER



DUR190L / CORDLESS GRASS TRIMMER

Item	Sub	Parts No.	Parts Description	Qty	I/C	E/C No.	Close No.	Remark
001		183P06-0	MOTOR HOUSING SET	1				
	D10		INC. 14					
002		652069-6	FLAT HEAD SCREW M3X6	3				
003		629248-1	STATOR	1				
004		210215-3	BALL BEARING 695ZZ	1				
005		510449-1	ROTOR ASS'Y	1				
	D10		INC. 4,6					
006		210049-4	BALL BEARING 609ZZ	1				
007		213380-7	O RING 24	1				
008		210215-3	BALL BEARING 695ZZ	1				
009		221492-2	HELICAL GEAR 26	1				
010		327542-2	CUTTER SHAFT	1				
011		211131-2	BALL BEARING 6001DDW	1				
012		256546-6	SHOULDER PIN 4	1				
013		213021-5	O RING 5	1				
014		183P06-0	MOTOR HOUSING SET	1				
	D10		INC. 1					
015		233072-2	COMPRESSION SPRING 8	1				
016		412408-0	PIN CAP	1				
017		266326-2	TAPPING SCREW 4X18	8				
018		140T23-7	RECEIVE WASHER COMPLETE	1				
021		251513-6	H.S.H.BOLT M5X25	2				
022		347667-6	PROTECTOR CLAMP	1				
023		424567-8	RUBBER SLEEVE 24	1				
024		346855-2	CUTTER	1				
025		412392-9	PROTECTOR	1				
026		266326-2	TAPPING SCREW 4X18	2				
027		457937-6	LOOP HANDLE 24	1				
028		263005-3	RUBBER PIN 6	1				
029		143695-7	BARRIER COMPLETE	1				
	C10	911128-8	P.H.SCREW M4X16 WITH WR	1				
032		347011-7	PIPE CLAMP 29	1				
033		451601-1	SPACER 24	1				
034		347116-3	HANGER	1				
035		922212-4	HEX. SOCKET HEAD BOLT M5X12	1				
036		922212-4	HEX. SOCKET HEAD BOLT M5X12	1				
037		183P04-4	GRIP SET	1				
	C10	931202-6	HEX. NUT M5	1				
	D10		INC. 46					
038		140T18-0	SUB CONTROLLER COMPLETE	1				
	C10	8010M7-8	SWITCH LABEL	1				
	C20	8010M8-6	INDICATION LABEL	1				
039		632E26-0	SWITCH UNIT	1				
040		455629-1	LOCK OFF LEVER	1				
041		233621-5	TORSION SPRING 9	1				
042		455625-9	SWITCH LEVER	1				
043		233612-6	TORSION SPRING 10	1				
044		687260-7	STRAIN RELIEF	1				
045		266326-2	TAPPING SCREW 4X18	1				
046		183P04-4	GRIP SET	1				
	C10	931202-6	HEX. NUT M5	1				
	D10		INC. 37					
047		266326-2	TAPPING SCREW 4X18	6				
048		922228-9	H.S.H.BOLT M5X18 WITH WR	1				
049		140T21-1	PIPE COMPLETE	1				
	C10	819N87-3	CAUTION LABEL	1				
	C20	819312-8	MAKITA LOGO LABEL	1				
050		699090-4	POWER SUPPLY CORD UNIT	1				
051		346248-3	CLAMP 24	1				
052		266326-2	TAPPING SCREW 4X18	1				
053		699149-7	POWER SUPPLY CORD UNIT	1				
054		183P07-8	HOUSING SET	1				
	C10	263005-3	RUBBER PIN 6	2				
	D10		INC. 58					
055		620C56-1	CONTROLLER	1				

SE

Interchange
 O : Yes
 X : No
 < : the new part can be substituted for the current.
 > : the current part can be substituted for the new.
 S : Interchangeable as a set.

