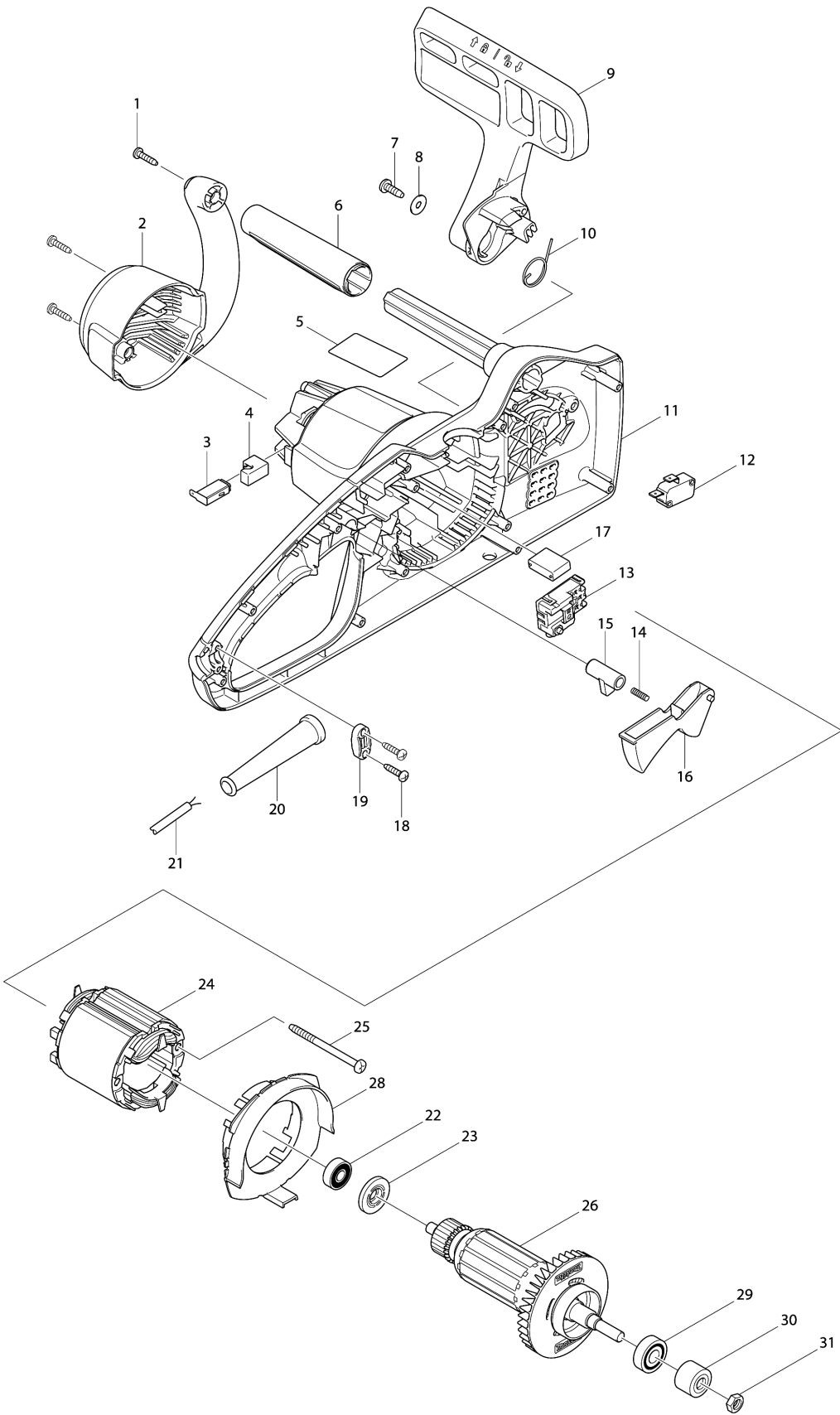
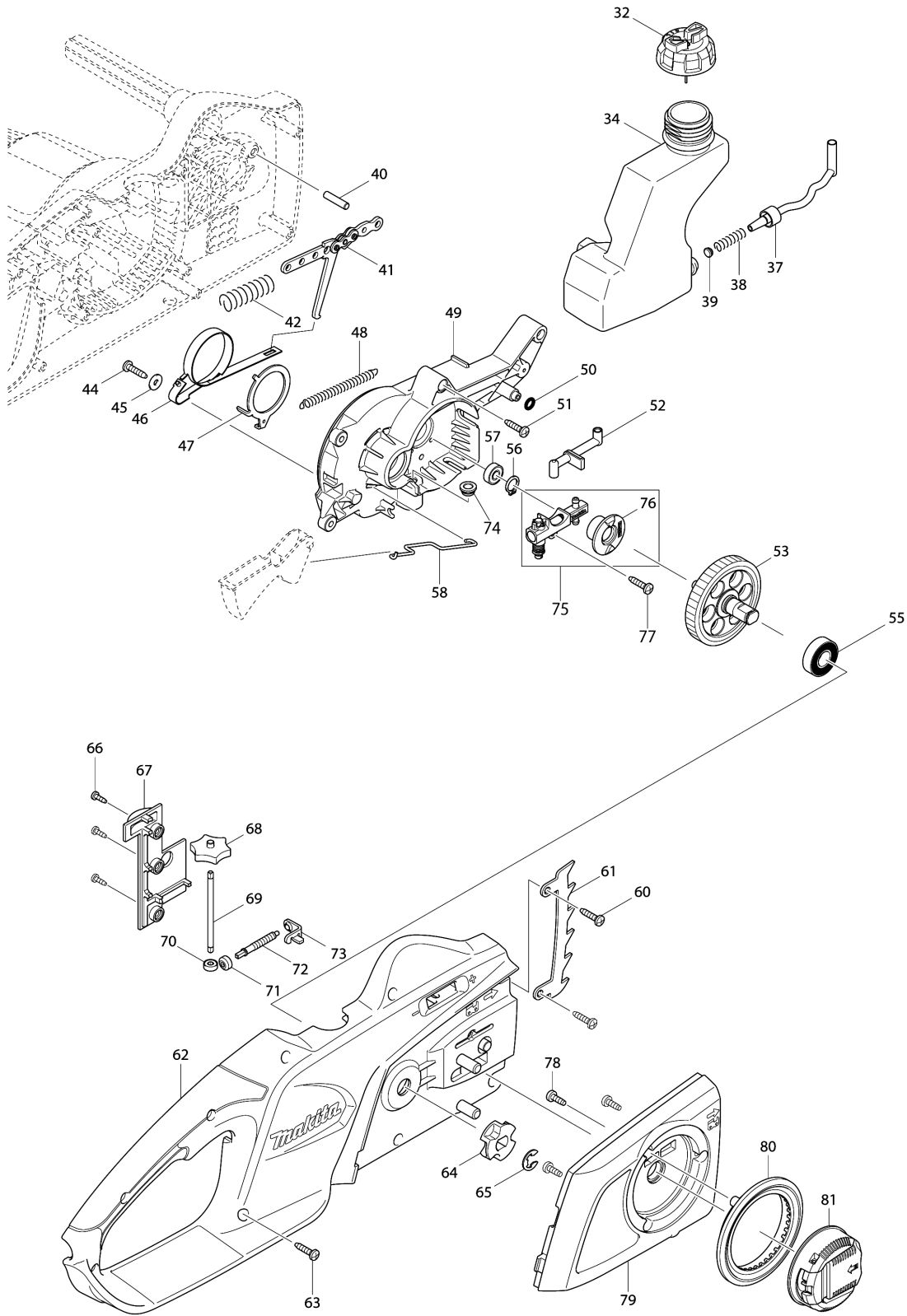


Model No.UC3541A 350MM ELECTRIC CHAIN SAW



Model No.UC3541A 350MM ELECTRIC CHAIN SAW



Model No.UC3541A 350MM ELECTRIC CHAIN SAW

| Item | Parts No. | Description | I/C | Qty | New/Old | Opt. 1 | Opt. 2 | Note |
|-------|-----------|-----------------------------|-----|-----|---------|--------|--------|------|
| 001 | 266326-2 | TAPPING SCREW 4X18 | | 3 | | | | |
| 002 | 454725-2 | REAR COVER | | 1 | | | | |
| 003 | 191972-1 | CARBON BRUSH CB-132 | | 1 | | | | |
| 004 | 682211-5 | RUBBER SLEEVE | | 2 | | | | |
| 005 | 815A83-1 | UC3541A NAME PLATE | | 1 | | | | |
| 006 | 424600-6 | FRONT GRIP | | 1 | | | | |
| 007 | 266388-0 | TAPPING SCREW 5X16 | | 1 | | | | |
| 008 | 253807-5 | FLAT WASHER 5 | | 1 | | | | |
| 009 | 142279-8 | FRONT HAND GUARD COMPLETE | | 1 | | | | |
| C10 | 802K54-7 | INDICATION LABEL | | 1 | | | | |
| 010 | 231640-5 | TORSION SPRING 20 | | 1 | | | | |
| 011 | 187869-0 | HOUSING SET | | 1 | | | | |
| C10 | 802G51-9 | CAUTION LABEL | | 1 | | | | |
| D10 | | INC. 62 | | | | | | |
| 012 | 650577-1 | SWITCH SD-006-BB2AA-AA | | 1 | | | | |
| 013 | 650716-3 | SWITCH TGC31B | | 1 | | | | |
| 014 | 233173-6 | COMPRESSION SPRING 4 | | 1 | | | | |
| 015 | 416178-3 | LOCK-OFF BUTTON | | 1 | | | | |
| 016 | 455185-1 | SWITCH LEVER | | 1 | | | | |
| 017 | 645149-5 | NOISE SUPPRESSOR | | 1 | | | | |
| 018 | 266326-2 | TAPPING SCREW 4X18 | | 2 | | | | |
| 019 | 687124-5 | STRAIN RELIEF | | 1 | | | | |
| 020 | 682540-6 | CORD GUARD 9.3-90 | | 1 | | | | |
| 021 | 665876-8 | POWER SUPPLY CORD 1.0-2-0.6 | | 1 | | | | |
| 022 | 210029-0 | BALL BEARING 608ZZ | | 1 | | | | |
| 023 | 681644-1 | INSULATION WASHER | | 1 | | | | |
| 024 | 594538-0 | FIELD ASS'Y 220-240V | | 1 | * | | | |
| C10 | 654069-2 | RECEPTACLE | | 2 | * | | | |
| C20 | 654208-4 | RECEPTACLE | | 1 | * | | | |
| 024-1 | 593869-4 | FIELD ASS'Y 220-240V | O | 1 | | | | |
| C10 | 654069-2 | RECEPTACLE | | 2 | | | | |
| C20 | 654208-4 | RECEPTACLE | | 1 | | | | |
| 025 | 266389-8 | TAPPING SCREW 5X70 | | 2 | | | | |
| 026 | 513893-1 | ARMATURE ASS'Y 220-240V | | 1 | | | | |
| D10 | | INC. 22,23,29 | | | | | | |
| 028 | 419238-0 | BAFFLE PLATE | | 1 | | | | |
| 029 | 211061-7 | BALL BEARING 6000LLB | | 1 | | | | |
| 030 | 227153-2 | SPUR GEAR 12 | | 1 | | | | |
| 031 | 931403-6 | HEX. NUT M8 | | 1 | | | | |
| 032 | 142282-9 | TANK CAP COMPLETE | | 1 | | | | |
| 034 | 454729-4 | OIL TANK | | 1 | | | | |

Model No.UC3541A 350MM ELECTRIC CHAIN SAW

| Item | Parts No. | Description | I/C | Qty | New/Old | Opt. 1 | Opt. 2 | Note |
|-------|-----------|-------------------------------|-----|-----|---------|--------|--------|------|
| 037 | 424602-2 | OIL TUBE | | 1 | | | | |
| 038 | 231975-4 | SPRING | | 1 | | | | |
| 039 | 416274-7 | CAP | | 1 | | | | |
| 040 | 268238-5 | PIN 5 | | 1 | | | | |
| 041 | 158047-9 | LINK PLATE COMPLETE | | 1 | | | | |
| 042 | 233175-2 | COMPRESSION SPRING 9 | | 1 | | | | |
| 044 | 266326-2 | TAPPING SCREW 4X18 | | 1 | * | | | |
| 044-1 | 265620-9 | TAPPING SCREW FLANGE 4X18 | S | 1 | | | | |
| 045 | 267195-4 | FLAT WASHER 4 | | 1 | * | | | |
| 046 | 168321-7 | BRAKE BAND | | 1 | | | | |
| 047 | 346739-4 | BRAKE RING | | 1 | | | | |
| 048 | 231817-2 | TENSION SPRING 5 | | 1 | | | | |
| 049 | 454720-2 | BEARING HOUSING | | 1 | | | | |
| 050 | 213017-6 | O RING 6 | | 1 | | | | |
| 051 | 266326-2 | TAPPING SCREW 4X18 | | 4 | | | | |
| 052 | 424601-4 | CONNECTOR | | 1 | | | | |
| 053 | 135615-5 | SPUR GEAR 43 ASS'Y | | 1 | | | | |
| 055 | 210106-8 | BALL BEARING 6001LLB | | 1 | | | | |
| 056 | 961006-2 | RETAINING RING S-10 | | 1 | | | | |
| 057 | 210033-9 | BALL BEARING 696ZZ | | 1 | | | | |
| 058 | 326359-0 | ROD | | 1 | | | | |
| 060 | 266326-2 | TAPPING SCREW 4X18 | | 2 | | | | |
| 061 | 345651-5 | SPIKE BUMPER | | 1 | | | | |
| 062 | 187869-0 | HOUSING SET | | 1 | | | | |
| C10 | 802G51-9 | CAUTION LABEL | | 1 | | | | |
| D10 | | INC. 11 | | | | | | |
| 063 | 266326-2 | TAPPING SCREW 4X18 | | 7 | | | | |
| 064 | 221526-1 | SPROCKET | | 1 | | | | |
| 065 | 259036-8 | STOP RING E-8 | | 1 | | | | |
| 066 | 266007-8 | TAPPING SCREW BIND PT 3X10 | | 3 | | | | |
| 067 | 454727-8 | TENSION COVER | | 1 | | | | |
| 068 | 454726-0 | DIAL 30 | | 1 | | | | |
| 069 | 326360-5 | SHAFT | | 1 | | | | |
| 070 | 227496-2 | STRAIGHT BEVEL GEAR 14 | | 1 | | | | |
| 071 | 227496-2 | STRAIGHT BEVEL GEAR 14 | | 1 | | | | |
| 072 | 324620-9 | ADJUST SCREW | | 1 | | | | |
| 073 | 346740-9 | TENSION SLIDE | | 1 | * | | | |
| 073-1 | 346859-4 | TENSION SLIDE | < | 1 | | | | |
| 074 | 424603-0 | GROMMET | | 1 | | | | |
| 075 | 196419-0 | OIL PUMP SET | | 1 | * | | | |
| D10 | | INC. 76 | | | * | | | |

Model No.UC3541A 350MM ELECTRIC CHAIN SAW

| Item | Parts No. | Description | I/C | Qty | New/Old | Opt. 1 | Opt. 2 | Note |
|-------|-----------|-------------------------------|-----|-----|---------|--------|--------|------|
| 075-1 | 142156-4 | OIL PUMP COMPLETE | < | 1 | | | | |
| 076 | 221427-3 | WORM GEAR | | 1 | | | | |
| 077 | 266326-2 | TAPPING SCREW 4X18 | | 1 | | | | |
| 078 | 266427-6 | TAPPING SCREW 4X12 | | 3 | | | | |
| 079 | 142281-1 | SPROCKET COVER COMPLETE | | 1 | | | | |
| C10 | 802E36-3 | INDICATION LABEL | | 1 | | | | |
| 080 | 454728-6 | COVER | | 1 | | | | |
| 081 | 142235-8 | NUT COMPLETE | | 1 | | | | |
| 082 | 804G74-3 | SOUND 104DB LABEL | | 1 | | | | |
| A01 | 158024-1 | HOOK COMPLETE | | 1 | | | | |
| A02 | 165246-6 | GUIDE BAR 14 | | 1 | * | | | |
| A02-1 | 165246-6 | GUIDE BAR 14 | O | 1 | | | | |
| A03 | 419288-5 | CHAIN COVER | | 1 | | | | |
| A04 | 196741-5 | SAW CHAIN SET | | 1 | * | | | |
| A04-1 | 511291752 | SAW CHAIN 3/8LP.043" L52 CC D | O | 1 | * | | | |
| A04-2 | 196741-5 | SAW CHAIN SET | O | 1 | | | | |

Please order the parts with part number.

Print Date 31/3/2020