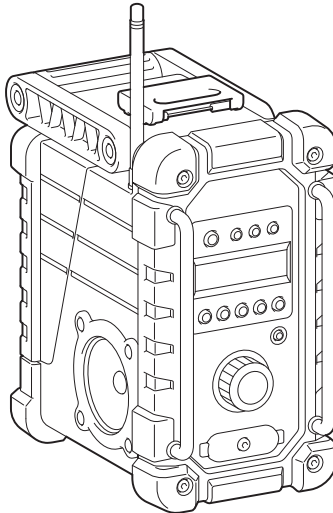


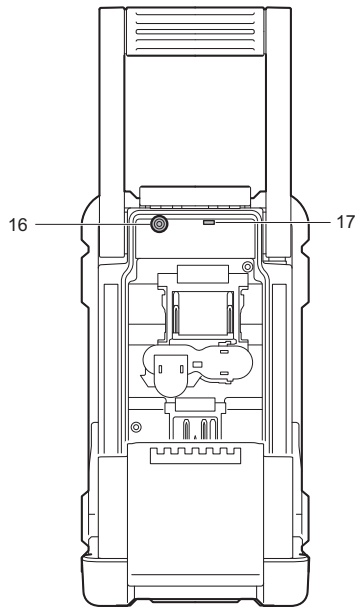
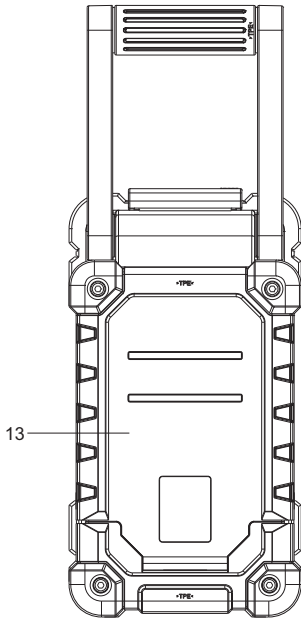
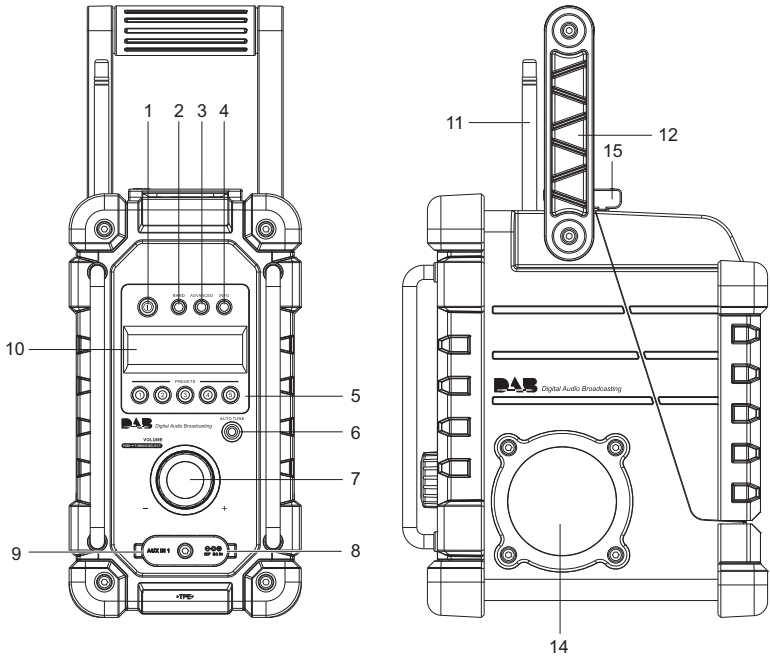


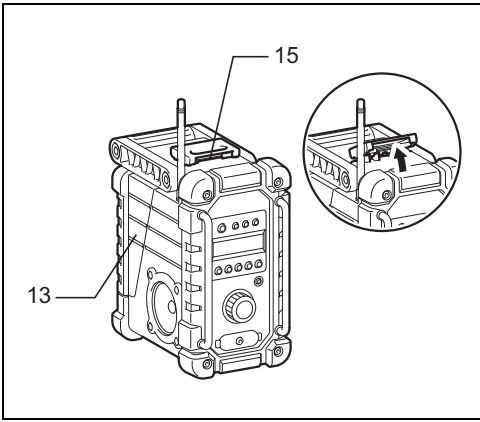
EN	Job Site Radio	Instruction manual
FR	Radio de chantier	Manuel d'instructions
DE	Baustellenradio	Betriebsanleitung
IT	Radio per luoghi di lavoro	Istruzioni per l'uso
NL	Bouwradio	Gebruiksaanwijzing
ES	Radio de Trabajo	Manual de instrucciones
PT	Rádio a Bateria	Manual de instruções
DA	Byggepladsradio	Brugsanvisning
EL	Ραδιόφωνο εργοταξίου	Οδηγίες χρήσης
PL	Akum. Odbiornik radiowy	Instrukcja obsługi
AR	راديو خاص بمواقع العمل	دليل التعليمات

DMR109

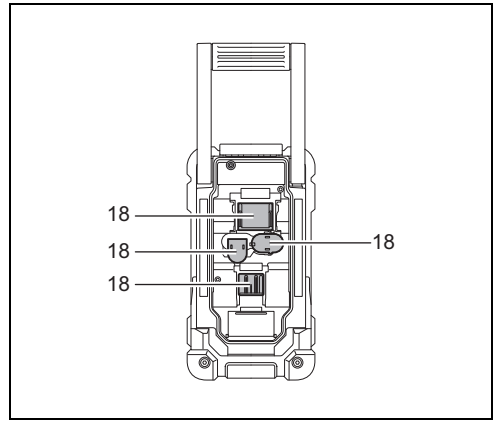
DMR110



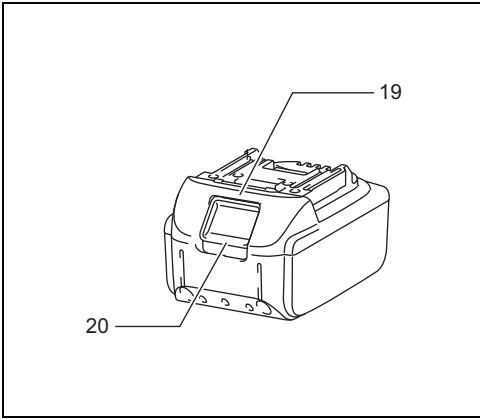




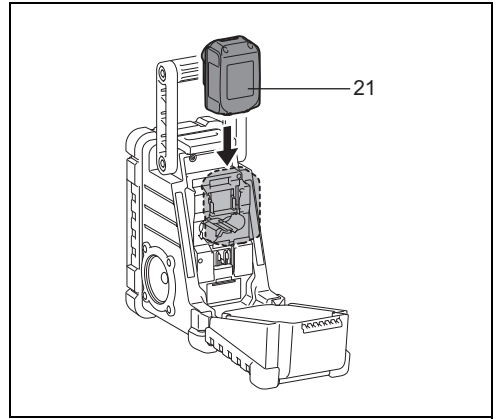
2



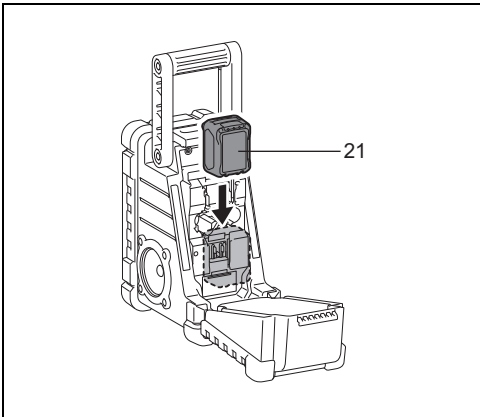
3



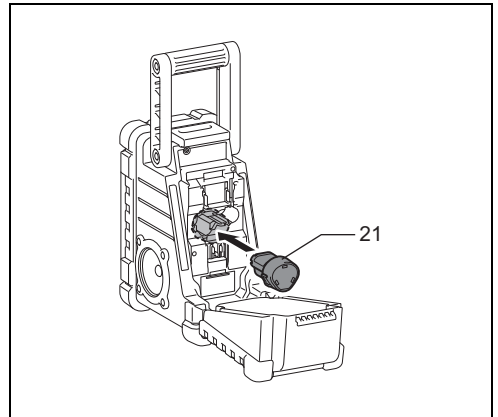
4



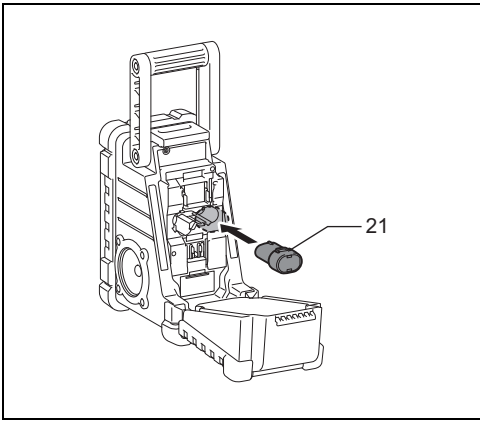
5



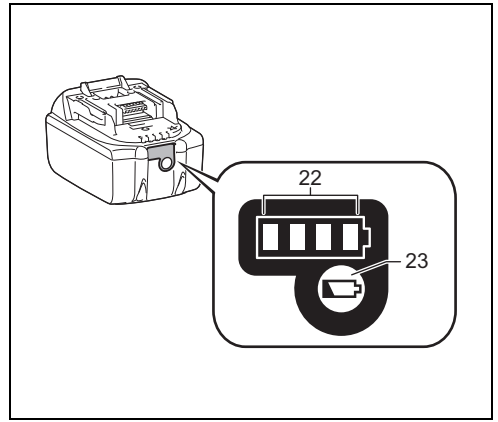
6



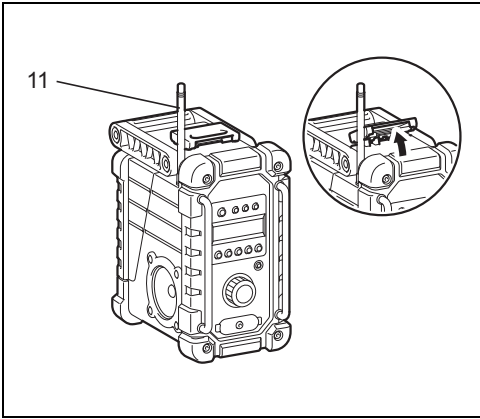
7



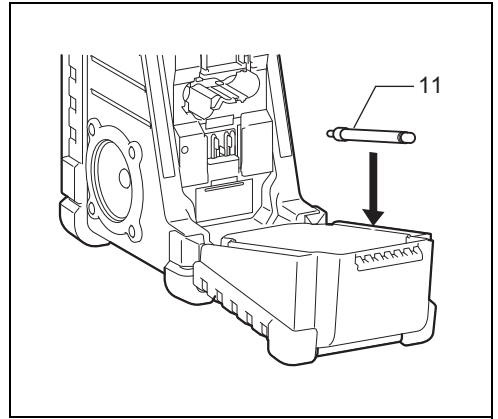
8



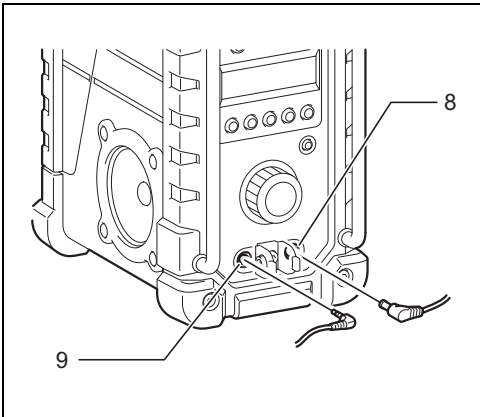
9



10



11



12

ENGLISH (Original instructions)

SYMBOLS

The following show the symbols used for the equipment. Be sure that you understand their meaning before use.



..... Read instruction manual.



..... Only for EU countries
Do not dispose of electric equipment or battery pack together with household waste material!
In observance of European Directive 2002/96/EC on waste electric and electronic equipment, 2006/66/EC on batteries and accumulators and waste batteries and accumulators and their implementation in accordance with national laws, electric equipment and battery pack that have reached the end of their life must be collected separately and returned to an environmentally compatible recycling facility.

Cd
Ni-MH
Li-Ion

IMPORTANT SAFETY INSTRUCTIONS

WARNING:

When using electric tools, basic safety precautions should always be followed to reduce the risk of fire, electric shock, and personal injury, including the following:

1. Read this instruction manual and the charger instruction manual carefully before use.
2. Clean only with dry cloth.
3. Do not install near any heat sources such as radiators, heat registers, stoves, or other apparatus (including amplifiers) that produce heat.
4. Only use attachments/accessories specified by the manufacturer.
5. Unplug this apparatus during lightning storms or when unused for long periods of time.
6. A battery operated radio with integral batteries or a separate battery pack must be recharged only with the specified charger for the battery. A charger that may be suitable for one type of battery may create a risk of fire when used with another battery.
7. Use battery operated radio only with specifically designated battery packs. Use of any other batteries may create a risk of fire.
8. When battery pack is not in use, keep it away from other metal objects like: paper clips, coins, keys, nails, screws, or other small metal objects that can make a connection from one terminal to another. Shorting the battery terminals together may cause sparks, burns, or a fire.
9. Avoid body contact with grounded surfaces such as pipes, radiators, ranges and refrigerators. There is an increased risk of electric shock if your body is grounded.
10. Under abusive conditions, liquid may be ejected from the battery; avoid contact. If contact accidentally occurs, flush with water. If liquid contacts eyes,

additionally seek medical help. Liquid ejected from the battery may cause irritation or burns.

11. The MAINS plug is used as the disconnect device, and it shall remain readily operable.

SAVE THESE INSTRUCTIONS

IMPORTANT SAFETY INSTRUCTIONS FOR BATTERY CARTRIDGE

1. Before using battery cartridge, read all instructions and cautionary markings on (1) battery charger, (2) battery, and (3) product using battery.
2. Do not disassemble battery cartridge.
3. If operating time has become excessively shorter, stop operating immediately. It may result in a risk of overheating, possible burns and even an explosion.
4. If electrolyte gets into your eyes, rinse them out with clear water and seek medical attention right away. It may result in loss of your eyesight.
5. Do not short the battery cartridge:
 - (1) Do not touch the terminals with any conductive material.
 - (2) Avoid storing battery cartridge in a container with other metal objects such as nails, coins, etc.
 - (3) Do not expose battery cartridge to water or rain. A battery short can cause a large current flow, overheating, possible burns and even a breakdown.

A battery short can cause a large current flow, overheating, possible burns and even a breakdown.

6. Do not store the tool and battery cartridge in locations where the temperature may reach or exceed 50°C (122°F).
7. Do not incinerate the battery cartridge even if it is severely damaged or is completely worn out. The battery cartridge can explode in a fire.
8. Be careful not to drop or strike battery.
9. Do not use a damaged battery.
10. The contained lithium-ion-batteries are subject to the Dangerous Goods Legislation requirements. For commercial transports e.g. by third parties, forwarding agents, special requirement on packaging and labeling must be observed.
For preparation of the item being shipped, consulting an expert for hazardous material is required. Please also observe possibly more detailed national regulations.
Tape or mask off open contacts and pack up the battery in such a manner that it cannot move around in the packaging.
11. Follow your local regulations relating to disposal of battery.

SAVE THESE INSTRUCTIONS.

⚠ CAUTION: Only use genuine Makita batteries. Use of non-genuine Makita batteries, or batteries that have been altered, may result in the battery bursting causing fires, personal injury and damage. It will also void the Makita warranty for the Makita tool and charger.

Tips for maintaining maximum battery life

1. Charge the battery cartridge before completely discharged.
Always stop tool operation and charge the battery cartridge when you notice less tool power.
2. Never recharge a fully charged battery cartridge. Overcharging shortens the battery service life.
3. Charge the battery cartridge with room temperature at 10°C - 40°C (50°F - 104°F). Let a hot battery cartridge cool down before charging it.
4. Charge the battery cartridge if you do not use it for a long period (more than six months).

EXPLANATION OF GENERAL VIEW (Fig. 1 - 12)

1. Power button
2. Band button
3. Advanced setting button
4. Info button
5. Preset button
6. Auto tune button
7. Volume/Tuning Control/Select knob
8. DC IN socket
9. AUX IN 1
10. LCD display
11. Soft bended rod antenna
12. Handle
13. Battery compartment cover (covering battery cartridge)
14. Speaker
15. Battery compartment locker
16. Input terminal (AUX IN 2)
17. Micro USB port for software upgrade
18. Battery compartment
19. Red indicator
20. Button
21. Battery cartridge
22. Indicator lamps
23. Check button

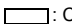

FEATURES

- FM/DAB (DMR109)
- FM/DAB or DAB+ (DMR110)
- Large LCD display with illumination
- Manual/Preset/Scan tuning
- Rotary tuning and volume control
- 5 preset stations for each band
- Micro USB port for software upgrade
- Stereo speaker for rich sound performance
- Ultra rugged design
- Water resistant to IP64
- Powered by both Makita battery pack and supplied power adaptor

OPERATING TIME

The following tables indicate the operating time with a full charged battery.

Battery capacity	Battery cartridge voltage				At speaker output = 50 mW + 50 mW Unit: Hour (Approximately)
	7.2 V	10.8 V	14.4 V	18 V	
1.0 Ah	BL7010				4.5 hour
1.3 Ah		BL1013			5.5 hour
			BL1415		5.0 hour
				BL1815	6.0 hour
1.5 Ah	BL0715				6.5 hour
		BL1015			8.0 hour
			BL1415N		7.0 hour
				BL1815N	7.5 hour
2.0 Ah		BL1020B		BL1820 BL1820B	10 hour
3.0 Ah			BL1430 BL1430B		11 hour
				BL1830 BL1830B	14 hour
4.0 Ah		BL1040B		BL1840 BL1840B	20 hour
			BL1440		18 hour
5.0 Ah			BL1450		22 hour
				BL1850 BL1850B	25 hour
6.0 Ah			BL1460B		24 hour
				BL1860B	31 hour

: Cluster battery : Slide battery

* The operating time is based on the operation in DAB/DAB+ on a single charge.

* Operating time may differ depending on battery type, charging status, and usage condition.

INSTALLATION

Installing or removing Slide battery cartridge (Fig. 4 - 6)

CAUTION:

Always switch off the radio before removing the battery cartridge.

- To install the battery cartridge, align the tongue on the battery cartridge with the groove in the housing and slip it into place. Always insert it all the way until it locks in place with a little click.
- If you can see the red indicator on the upper side of the button, it is not locked completely. Install it fully until the red indicator cannot be seen. If not, it may accidentally fall out of the radio, causing injury to you or someone around you.
- Do not use force when installing the battery cartridge. If the cartridge does not slide in easily, it is not being inserted correctly.
- To remove the battery cartridge, slide it from the radio while sliding the button on the front of the cartridge or pressing the buttons on both sides of the cartridge.

Return the battery compartment locker to the original position.

Reduced power, distortion and a "stuttering sound" are signs that the battery needs to be replaced.

Note:

The battery pack can't be charged via the supplied AC power adaptor.

Installing or removing Cluster battery cartridge (Fig. 7 & 8)

CAUTION:

Always switch off the radio before removing the battery cartridge.

- To insert the battery cartridge, align the tongue on the battery cartridge with the groove in the housing and slip it into place.
- To remove the battery cartridge, take the battery out of the terminal while pressing the buttons on the side of cartridge.

Return the battery compartment locker to the original position.

Reduced power, distortion and a "stuttering sound" are signs that the battery needs to be replaced.

Note:

The battery pack can't be charged via the supplied AC power adaptor.

Indicating the remaining battery capacity (Fig. 9)

Only for battery cartridges with "B" at the end of the model number

Press the check button on the battery cartridge to indicate the remaining battery capacity. The indicator lamps light up for few seconds.

Indicator lamps			Remaining capacity
Lighted	Off	Blinking	
■	□	▧	75% to 100%
■	■	■	
■	■	□	50% to 75%
■	■	□	25% to 50%
■	□	□	0% to 25%
▧	□	□	Charge the battery.
■	■	□	The battery may have malfunctioned.
□	□	■	

Note:

- Depending on the conditions of use and the ambient temperature, the indication may differ slightly from the actual capacity.

Installing the soft bended rod antenna (Fig. 10 & 11)

Install the soft bended rod antenna as shown in the figure.

Note:

There is a click in the battery compartment designed to store the removed antenna.

Using supplied AC power adaptor (Fig. 12)

Remove the rubber protector and insert the adaptor plug into the DC socket on the front side of the radio. Plug the adaptor into a standard mains socket outlet. Whenever the adaptor is used, the battery pack is automatically disconnected. The AC adaptor should be disconnected from the main supply when not in use.

OPERATION

This radio has three tuning methods- Scan tuning, Manual tuning and Memory presets recall.

Selecting a station - DAB

- Press the Power button to switch on your radio.
- Select the DAB mode by pressing the Band button.
- Press the Advanced setting button and rotate the Volume/Tuning Control/Select knob until "Station List" is flashing on the screen. Press the Volume/Tuning Control/Select knob to enter the list of the stations.

- Rotate the Volume/Tuning Control/Select knob to scroll through the list of available stations. Press the knob to select the station.
- Adjust the desired volume by rotating the Volume/Tuning Control/Select knob.

Display modes - DAB

Your radio has a range of display options in the DAB mode:

Press the Info button to cycle through the various options shown in the following letters (a. to g.).

- Station name Indicates the station name being listened to.
- Program type Indicates the type of station being listened to. E.g. Pop, Classics, News, etc.
- Multiplex name Indicates the name of the DAB multiplex to which the current station belongs.
- Time & date Indicates the current time and date.
- Frequency and channel Indicates the frequency and channel number for the currently tuned DAB station.
- Bit rate/Audio type Indicates the digital audio bit rate and audio type for the currently tuned DAB station.
- Signal strength Indicates the signal strength for the currently tuned DAB station.

Finding new stations – DAB

From time to time, new DAB radio stations may become available. Or you may have moved to a different part of the country. In this case you may need to activate your radio to scan for new stations.

To allow the radio to find the available stations, it is recommended to carry out a full scan of the entire DAB Band III frequencies.

- Press the Auto tune button.
- Your radio will perform a full scan of the DAB frequencies. As new stations are found, the station counter on the left side in the display will increase and stations will be added to the list.

Manual tuning – DAB

Manual tuning allows you to tune your radio to a particular DAB frequency in Band III. This function can also be used to assist the positioning of the antenna or the radio so as to optimize reception for a specific channel or frequency.

- Press the Advanced setting button and rotate the Volume/Tuning Control/Select knob until "Manual Tune" shown on the display. Press the Volume/Tuning Control/Select knob to enter the manual tuning mode.
- Rotate the Volume/Tuning Control/Select knob to select the desired DAB channel. Press Volume/Tuning Control/Select knob to confirm the chosen frequency.

Station order setup – DAB

Your radio has 3 station order settings from which you can choose. The station order settings are alphanumeric, ensemble and valid station.

1. Press the Advanced setting button.
2. Rotate the Volume/Tuning Control/Select knob until "Station order" appearing on the display, then press the Volume/Tuning Control/Select knob to enter the setting.
3. Rotate the Volume/Tuning Control/Select knob to select the following options and press the knob to confirm the setting.

Alphanumeric	Sorts the station list alpha-numerically 0...9 A...Z
Ensemble	Organizes the station list by DAB multiplex
Valid	Shows only those stations for which a signal can be found

Dynamic Range Control (DRC) – DAB

DRC feature can make quieter sounds easier to hear when your radio is used in a noisy environment by reducing the dynamic range of the audio signal. There are three levels of compression:

DRC 0	No compression applied.
DRC 1/2	Medium compression applied.
DRC 1	Maximum compression applied.

1. Press the Power button to switch on your radio.
2. Press the Band button to select the DAB band.
3. Press the Advanced setting button and rotate the Volume/Tuning Control/Select knob until "DRC Value" shown on the display. Then press the Volume/Tuning Control/Select knob to enter the setting. The display will show the current DRC value.
4. Rotate the Volume/Tuning Control/Select knob to select desired DRC setting.
5. Press the Volume/Tuning Control/Select knob to confirm the setting.

Scan Tuning – FM

1. Press the Power button to turn on the radio.
2. Select the desired waveband by pressing the Band button. Make sure the soft bended rod antenna has been well placed for best FM reception. Try to avoid operating the radio next to a computer screen and other equipment which will cause interference to the radio.
3. Press the Auto tune button and the radio will search and stop automatically when it finds a radio station. The radio will continue searching for the next available station unless the operator presses the Auto tune button to stop the scanning.
4. Rotate the Volume/Tuning Control/Select knob to get the desired sound level. The LCD display will show sound level changes.

Note:

In order to use the Volume/Tuning Control/Select knob to find your desired station, press and hold the Volume/Tuning Control/Select knob to switch to the tuning control mode.

5. To turn off the radio, press the Power button.

FM scan zone

When using FM mode, your radio can be set to scan either local stations or to scan all stations including distant radio stations.

Manual Tuning – FM

1. Press the Power button to turn on the radio.
2. Press the Band button to select desired waveband. Adjust the antenna as described above.
3. Rotate the Volume/Tuning Control/Select knob will change the frequency in the following increment: FM: 50 or 100 kHz
Note:
In order to use the Volume/Tuning Control/Select knob to find your desired station, press and hold the Volume/Tuning Control/Select knob to switch to the tuning control mode.
4. Keep rotating the Volume/Tuning Control/Select knob until desired frequency is shown on the display.
5. Rotate the Volume/Tuning Control/Select knob to get the desired sound level.
6. To turn off the radio, press the Power button.

Display modes – FM

Your radio has a range of display options for FM radio mode:

Repeat pressing the Info button to cycle through the different options.

- | | |
|--------------------|--|
| a. Program station | Indicates the name of the station being listened to. |
| b. Radio text | Indicates text message such as new items, etc. |
| c. Program type | Indicates the type of station being listened to such as Pop, Classic, News, etc. |
| d. Time & date | Indicates the current time and date. |
| e. Frequency | Indicates the frequency of the FM signal. |

Storing stations in preset memories (DAB and FM)

There are 5 memory presets for each waveband.

1. Press the Power button to turn on the radio.
2. Tune to the desired station using one of the methods previously described.
3. Press and hold the desired Preset button until the preset number shown on the display, for example, "P2 Saved". The station is then stored in the selected Preset button.
4. Repeat this procedure for the remaining presets.
5. Stations stored in the preset memories can be overwritten by following the procedures described above.

Recall stations from the preset memories (DAB and FM)

1. Press the Power button to turn on the radio.
2. Press the Band button to select your desired waveband.
3. Press the desired Preset button momentarily. The preset number and station frequency will appear in the display.

Language options (only available in DMR110)

There are eight language options available in the radio: English, German, Italian, French, Dutch, Danish, Norwegian, and Polish.

1. Press Advanced setting button.
2. Rotate the Volume/Tuning Control/Select knob until "Language" shown on the display. Press the Volume/Tuning Control/Select knob to enter the setting.
3. Rotate the Volume/Tuning Control/Select knob to choose your desired language. Press the Volume/Tuning Control/Select knob to confirm your setting.

Brightness control

The backlight of the display can be adjusted.

1. Press the Advanced setting button.
2. Rotate the Volume/Tuning Control/Select knob until "Backlight" shown on the display. Press the Volume/Tuning Control/Select knob to enter the setting.
3. Rotate the Volume/Tuning Control/Select knob to choose to enable or disable the backlight function, then press the Volume/Tuning Control/Select knob to confirm the setting.

System reset

If your radio fails to work correctly, or some digits on the display are missing or incomplete, carry out the following procedure.

1. Press the Advanced setting button.
2. Rotate the Volume/Tuning Control/Select knob until "Factory Reset" shown on the display. Press the Volume/Tuning Control/Select knob to enter the setting.
3. Rotate the Volume/Tuning Control/Select knob to choose "Yes". Press the Volume/Tuning Control/Select knob to confirm the setting and a full reset will be performed.

Software version

1. Press the Advanced setting button.
2. Rotate the Volume/Tuning Control/Select knob until "SW Version" shown on the display. Press the Volume/Tuning Control/Select knob to view the software version installed in the radio.

Micro USB port for software upgrade

Software updates for your radio may be available in the future.

As software updates become available software and information on how to update your radio can be found at [Makita website](#).

How to play other audios

CAUTION:

Unplug this apparatus before connecting other audios.

- There are 2 AUX IN sockets. AUX IN 1 is located on the front panel, and AUX IN 2 is located in the battery compartment.
- Connect a stereo or mono source (i.e. iPod, MP3, or CD player) to either AUX IN 1 or AUX IN 2 by audio cord.

- Repeatedly press and release the Band button until "AU1" or "AU2" is displayed, then AUX function is activated.

MAINTENANCE

CAUTION:

- Never use gasoline, benzine, thinner, alcohol or the like. Discoloration, deformation or cracks may result.

SPECIFICATIONS

Power requirements

AC power adaptor	DC 12 V 1A, center pin positive
Battery	Cluster battery: 7.2 V - 10.8 V Slide battery: 10.8 V - 18 V
Frequency coverage	FM 87.50 - 108 MHz DAB/DAB+ 174.928 - 239.200 MHz
DAB/DAB+ Channel block	DAB (Band III) 5A-13F
Compatible standard	DAB (DMR109) DAB/DAB+ (DMR110)

Circuit feature

Loudspeaker	3 inches 8 ohm
Output power	7.2 V: 0.5 W X 2 10.8 V: 1.2 W X 2 14.4 V: 2.2 W X 2 18 V: 3.5 W X 2
Input terminal	3.5 mm dia. (AUX IN1/AUX IN2)
Antenna system	DAB/FM: soft bended rod antenna
Dimension (L x W x H) in mm	280 x 163 x 302
Weight	4.0 kg (without battery)

FRANÇAIS (Instructions d'origine)

SYMBOLES

Les symboles utilisés pour l'appareil sont indiqués ci-dessous. Assurez-vous d'avoir bien compris leur signification avant d'utiliser l'appareil.



..... Lire le manuel d'instructions.



..... Pour les pays européens uniquement
Ne pas jeter les appareils électriques et les batteries dans les ordures ménagères !



Conformément à la directive européenne 2002/96/CE relative aux déchets d'équipements électriques ou électroniques (DEEE) et à la directive 2006/66/CE relative aux batteries, aux accumulateurs ainsi qu'aux batteries et accumulateurs usagés et à leur transposition dans la législation nationale, les appareils électriques et les batteries doivent être collectés à part et être soumis à un recyclage respectueux de l'environnement.

CONSIGNES DE SÉCURITÉ IMPORTANTES

AVERTISSEMENT :

Lors de l'utilisation d'outils électriques, vous devez toujours prendre des précautions élémentaires en matière de sécurité pour réduire les risques d'incendie, de choc électrique et de blessure. Ces précautions sont notamment les suivantes :

1. Avant d'utiliser l'appareil, lisez attentivement son manuel d'instructions et celui du chargeur.
2. Nettoyez avec un chiffon doux uniquement.
3. N'installez pas l'appareil près de sources de chaleur, telles que des radiateurs, des bouches de chaleur, des poêles ou d'autres dispositifs (notamment des amplificateurs) émetteurs de chaleur.
4. Utilisez uniquement des pièces complémentaires/ accessoires spécifiés par le fabricant.
5. Débranchez cet appareil en cas d'orage ou lorsque vous ne l'utilisez pas pendant une période prolongée.
6. Les batteries utilisées pour les radios, qu'elles soient intégrées ou séparées, doivent être rechargées uniquement à l'aide du chargeur de batterie spécifié. Un chargeur qui convient à un type de batterie peut créer un risque d'incendie s'il est utilisé avec une autre batterie.
7. Les radios fonctionnant à l'aide de batteries doivent être utilisées uniquement avec les batteries désignées. L'utilisation d'autres batteries peut créer un risque d'incendie.
8. Lorsque vous n'utilisez pas la batterie, gardez-la éloignée de tout objet métallique, comme les trombones, pièces de monnaie, clés, clous, vis ou autres petits objets métalliques susceptibles de faire office de connexion entre deux bornes. Court-circuiter

les bornes de la batterie peut provoquer des étincelles, des brûlures ou un incendie.

9. Évitez tout contact corporel avec les surfaces mises à la terre, telles que les tuyaux, radiateurs, cuisinières et réfrigérateurs. Le risque de choc électrique augmente si votre corps est mis à la terre.
10. En cas de mauvaise utilisation, du liquide peut fuir de la batterie ; évitez tout contact. En cas de contact accidentel, nettoyez la surface en question à l'eau. Si du liquide entre en contact avec vos yeux, consultez un médecin. Le liquide éjecté de la batterie peut provoquer une irritation ou des brûlures.
11. La fiche secteur est utilisée comme dispositif de déconnexion et doit rester facilement accessible.

CONSERVEZ CES INSTRUCTIONS

IMPORTANTES CONSIGNES DE SÉCURITÉ POUR LA BATTERIE

1. Avant d'utiliser la batterie, lisez toutes les consignes et tous les avertissements inscrits sur (1) le chargeur, (2) la batterie et (3) l'appareil alimenté par la batterie.
2. Ne démontez pas la batterie.
3. Cessez immédiatement d'utiliser l'appareil si le temps de fonctionnement devient excessivement court. Il y a risque de surchauffe, de brûlures, voire d'explosion.
4. Si l'électrolyte pénètre dans vos yeux, rincez-les à l'eau claire et consultez immédiatement un médecin. Il y a risque de perte de la vue.
5. Ne court-circuitez pas la batterie :
 - (1) Ne touchez les bornes avec aucun matériau conducteur.
 - (2) Évitez de ranger la batterie dans un contenant où se trouvent d'autres objets métalliques tels que des clous, pièces de monnaie, etc.
 - (3) N'exposez pas la batterie à l'eau ou à la pluie. Un court-circuit de la batterie risque de provoquer un fort courant, une surchauffe, parfois des brûlures, voire une panne.

Un court-circuit de la batterie risque de provoquer un fort courant, une surchauffe, parfois des brûlures, voire une panne.

6. Ne rangez pas l'outil ou la batterie dans des endroits où la température risque d'atteindre ou de dépasser 50 °C (122 °F).
7. Ne jetez pas la batterie au feu, même si elle est gravement endommagée ou complètement épuisée. La batterie peut exploser au contact du feu.
8. Veillez à ne pas laisser tomber ou heurter la batterie.
9. N'utilisez pas de batterie endommagée.
10. Les batteries au lithium-ion contenues dans l'appareil sont soumises à la législation sur les marchandises dangereuses. Pour les transports commerciaux réalisés par des transitaires tiers par exemple, les conditions spéciales figurant sur les emballages et les étiquettes doivent être respectées. Lors de la préparation de l'article à expédier, il est obligatoire de consulter un spécialiste en matières dangereuses. Respectez également les éventuelles réglementations nationales plus détaillées.

Collez du ruban adhésif sur les contacts ouverts ou masquez-les et emballez la batterie de sorte qu'elle ne bouge pas dans le coffret.

11. Suivez les réglementations en vigueur en ce qui concerne la collecte des batteries.

CONSERVEZ CES INSTRUCTIONS.

⚠ ATTENTION : Utilisez uniquement des batteries Makita d'origine. L'utilisation de batteries qui ne sont pas Makita d'origine ou de batteries qui ont été modifiées peut provoquer des explosions et entraîner des incendies, des blessures corporelles et des dégâts. Cela peut également invalider la garantie Makita pour l'outil et le chargeur Makita.

Conseils pour garantir une durée de vie optimale de la batterie

1. Rechargez la batterie avant qu'elle soit complètement épuisée.
Arrêtez toujours l'outil et rechargez la batterie lorsque vous constatez que la puissance de l'outil diminue.
2. Ne rechargez jamais une batterie complètement chargée.
La surcharge réduit la durée de service de la batterie.
3. Rechargez la batterie à une température ambiante comprise entre 10 °C et 40 °C (entre 50 °F et 104 °F). Si la batterie est chaude, laissez-la refroidir avant de la charger.
4. Chargez la batterie si vous ne l'avez pas utilisée pendant une période prolongée (plus de six mois).

CARACTÉRISTIQUES

- FM/DAB (DMR109)
- FM/DAB ou DAB+ (DMR110)
- Grand écran LCD avec rétroéclairage
- Syntonisation manuelle/par balayage/présélection
- Syntonisation par rotation et commande de volume
- 5 stations présélectionnées pour chaque bande
- Port micro-USB pour mise à jour de logiciel
- Haut-parleur stéréo pour des performances audio optimales
- Conception très robuste
- Résiste à l'eau selon la norme IP64
- Alimentation par un bloc-batterie Makita et un adaptateur secteur fourni

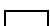

DESCRIPTIF (Fig. 1 à 12)

1. Bouton d'alimentation
2. Bouton BAND
3. Bouton Paramètres avancés
4. Bouton Info
5. Bouton de Présélection
6. Bouton Auto Tune
7. Bouton de sélection/commande de syntonisation/volume
8. Prise d'entrée secteur
9. AUX IN 1
10. Écran LCD
11. Antenne tige souple courbée
12. Poignée
13. Couvercle du compartiment à batterie (recouvre la batterie)
14. Haut-parleur
15. Casier du compartiment des batteries
16. Borne d'entrée (AUX IN 2)
17. Port micro-USB pour mise à jour de logiciel
18. Compartiment à batterie
19. Voyant rouge
20. Bouton
21. Batterie
22. Voyants
23. Bouton de vérification

TEMPS DE FONCTIONNEMENT

Les tableaux suivants indiquent le temps de fonctionnement avec une batterie entièrement chargée.

Capacité de la batterie	Tension de la batterie				Au niveau de la sortie du haut-parleur = 50 mW + 50 mW Unité : Heure (environ)
	7,2 V	10,8 V	14,4 V	18 V	
1,0 Ah	BL7010				4,5 heures
1,3 Ah		BL1013			5,5 heures
			BL1415		5,0 heures
				BL1815	6,0 heures
1,5 Ah	BL0715				6,5 heures
		BL1015			8,0 heures
			BL1415N		7,0 heures
				BL1815N	7,5 heures
2,0 Ah		BL1020B		BL1820 BL1820B	10 heures
3,0 Ah			BL1430 BL1430B		11 heures
				BL1830 BL1830B	14 heures
4,0 Ah		BL1040B		BL1840 BL1840B	20 heures
			BL1440		18 heures
5,0 Ah			BL1450		22 heures
				BL1850 BL1850B	25 heures
6,0 Ah			BL1460B		24 heures
				BL1860B	31 heures

 : Batterie de type « bloc »  : Batterie coulissante

* Le temps de fonctionnement dépend du fonctionnement en mode DAB/DAB+ avec une charge unique.

* Le temps de fonctionnement peut varier selon le type de batterie, l'état du chargement et les conditions d'utilisation.

INSTALLATION

Installation et retrait d'une batterie coulissante (Fig. 4 et 6)

ATTENTION :

Mettez toujours la radio hors tension avant de retirer la batterie.

- Pour installer la batterie, alignez sa languette sur la rainure qui se trouve à l'intérieur du capot, puis faites glisser la batterie pour la mettre en place. Insérez-la toujours bien à fond, jusqu'à ce qu'elle se verrouille en émettant un léger déclic.
- Si vous voyez le voyant rouge sur la face supérieure du bouton, la batterie n'est pas parfaitement verrouillée. Installez-la à fond, jusqu'à ce que le voyant rouge ne soit plus visible. À défaut, elle risque de tomber accidentellement de la radio et de vous blesser ou de blesser une personne située près de vous.
- N'appliquez pas une force excessive lors de l'installation de la batterie. Si la batterie ne glisse pas aisément, elle n'est pas insérée correctement.
- Pour retirer la batterie de la radio, faites glisser le bouton à l'avant de la batterie et sortez la batterie.

Vous pouvez également appuyer sur les boutons situés de chaque côté de la batterie.

Remettez le casier du compartiment à batterie en position d'origine.

Une alimentation réduite, une déformation et un « son saccadé » sont des signes qui indiquent que la batterie doit être remplacée.

Remarque :

Il n'est pas possible de recharger le bloc-batterie à l'aide de l'adaptateur secteur fourni.

Installation et retrait d'une batterie de type « bloc » (Fig. 7 et 8)

ATTENTION :

Mettez toujours la radio hors tension avant de retirer la batterie.

- Pour insérer la batterie, alignez sa languette sur la rainure qui se trouve à l'intérieur du carter, puis glissez la batterie pour la mettre en place.
- Pour retirer la batterie, dégagez-la de la borne tout en appuyant sur les boutons situés de chaque côté de la batterie.

Remettez le casier du compartiment à batterie en position d'origine.

Une alimentation réduite, une déformation et un « son saccadé » sont des signes qui indiquent que la batterie doit être remplacée.

Remarque :

Il n'est pas possible de recharger le bloc-batterie à l'aide de l'adaptateur secteur fourni.

Indication de l'autonomie restante de la batterie (Fig. 9)

Uniquement pour les batteries dont le numéro de modèle se termine par la lettre « B »
Appuyez sur le bouton de vérification pour indiquer l'autonomie restante de la batterie. Les voyants s'allument alors pendant quelques secondes.

Voyants			Autonomie restante
Allumé	Éteint	Clignotant	
■	□	◐	75 % à 100 %
■	■	□	50 % à 75 %
■	■	□	25 % à 50 %
■	□	□	0 % à 25 %
◐	□	□	Recharger la batterie.
■	■	□	Il est possible que la batterie ait mal fonctionné.
□	□	■	

Remarque :

- Selon les conditions d'utilisation et la température ambiante, les indications peuvent différer légèrement de l'autonomie réelle restante.

Installation de l'antenne tige souple courbée (Fig. 10 et 11)

Installez l'antenne tige souple courbée comme illustré sur la figure.

Remarque :

Le compartiment à batterie comporte un déclic destiné à ranger l'antenne qui a été déposée.

Utilisation de l'adaptateur secteur fourni (Fig. 12)

Retirez le capuchon en caoutchouc et insérez la fiche de l'adaptateur dans la prise secteur sur la façade de la radio. Branchez l'adaptateur dans une prise de courant standard. En cas d'utilisation de l'adaptateur, le bloc-batterie est automatiquement déconnecté. Débranchez l'adaptateur secteur de l'alimentation lorsque vous ne l'utilisez pas.

FONCTIONNEMENT

Cette radio dispose de trois méthodes de syntonisation : la syntonisation par balayage, la syntonisation manuelle et le rappel des présélections en mémoire.

Sélection d'une station – DAB

1. Appuyez sur le bouton d'alimentation pour allumer votre radio.
2. Appuyez sur le bouton BAND pour sélectionner le mode DAB.
3. Appuyez sur le bouton Paramètres avancés et tournez le bouton de sélection/commande de syntonisation/volume jusqu'à ce que « Liste de stations » clignote sur l'écran. Appuyez sur le bouton de sélection/commande de syntonisation/volume pour afficher la liste des stations.
4. Tournez le bouton de sélection/commande de syntonisation/volume pour faire défiler la liste des stations disponibles. Appuyez sur ce bouton pour sélectionner la station.
5. Réglez le volume souhaité en tournant le bouton de sélection/commande de syntonisation/volume.

Modes d'affichages – DAB

Votre radio possède plusieurs options d'affichage pour le mode DAB :

Appuyez sur le bouton Info pour parcourir les différentes options indiquées aux points suivants (a. à g.).

- a. Nom de la station Affiche le nom de la station écoutée.
- b. Type de programme Affiche le type de la station écoutée. Par ex., Pop, Classique, Informations, etc.
- c. Nom du multiplex Indique le nom du multiplex DAB auquel appartient la station actuelle.
- d. Heure et date Indique l'heure et la date actuelles.
- e. Fréquence et canal Indique la fréquence et le numéro de canal de la station DAB actuellement syntonisée.
- f. Débit binaire/Format audio Indique le débit binaire de l'audio numérique et le format audio de la station DAB actuellement syntonisée.
- g. Force du signal Indique la force du signal de la station DAB actuellement syntonisée.

Trouver de nouvelles stations – DAB

Il arrive que de nouvelles stations radio DAB soient disponibles. Ou bien vous vous êtes peut-être déplacé dans une autre partie du pays. Dans ce cas, vous devez activer votre radio pour balayer et trouver de nouvelles stations.

Pour permettre à la radio de trouver les stations disponibles, il est recommandé d'effectuer un balayage complet de toutes les fréquences DAB Bande III.

1. Appuyez sur le bouton Auto Tune.

2. Votre radio effectuera un balayage complet des fréquences DAB. À mesure que de nouvelles stations sont trouvées, le compteur de stations, situé à gauche de l'affichage, augmentera et des stations s'ajouteront à la liste.

Syntonisation manuelle – DAB

La syntonisation manuelle vous permet de syntoniser votre radio sur une fréquence DAB particulière en Bande III. Cette fonction peut également être utilisée pour faciliter le positionnement de l'antenne ou la radio afin d'optimiser la réception d'un canal ou d'une fréquence spécifique.

1. Appuyez sur le bouton Paramètres avancés et tournez le bouton de sélection/commande de syntonisation/volume jusqu'à ce que « Syntonisation manuelle » s'affiche sur l'écran. Appuyez sur le bouton de sélection/commande de syntonisation/volume pour sélectionner le mode de syntonisation manuelle.
2. Tournez le bouton de sélection/commande de syntonisation/volume pour sélectionner le canal DAB souhaité. Appuyez sur le bouton de sélection/commande de syntonisation/volume pour confirmer la fréquence choisie.

Création de l'ordre des stations – DAB

Votre radio dispose de 3 réglages d'ordre de stations que vous pouvez choisir. Les réglages d'ordre de stations sont le réglage alphanumérique, d'ensemble et de station valide.

1. Appuyez sur le bouton Paramètres avancés.
2. Tournez le bouton de sélection/commande de syntonisation/volume jusqu'à ce que « Ordre des stations » apparaisse sur l'affichage, puis appuyez sur ce bouton pour sélectionner le paramètre.
3. Tournez le bouton de sélection/commande de syntonisation/volume pour sélectionner les options suivantes, puis appuyez sur ce bouton pour confirmer le paramètre.

Alphanumérique	Trie la liste des stations dans l'ordre alphanumérique de 0 à 9 et de A à Z
D'ensemble	Organise la liste des stations par multiplex DAB
Station valide	Affiche uniquement les stations pour lesquelles un signal peut être trouvé

Contrôle de la gamme dynamique (DRC) – DAB

La fonction DRC peut vous aider à mieux entendre les sons faibles lorsque vous utilisez la radio dans un environnement bruyant, en réduisant la gamme dynamique du signal audio. Il y a trois niveaux de compression :

DRC 0	Aucune compression appliquée.
DRC 1/2	Compression moyenne appliquée.
DRC 1	Compression maximale appliquée.

1. Appuyez sur le bouton d'alimentation pour allumer votre radio.
2. Appuyez sur le bouton BAND pour sélectionner la bande DAB.
3. Appuyez sur le bouton Paramètres avancés et tournez le bouton de sélection/commande de syntonisation/

volume jusqu'à ce que « Valeur DRC » s'affiche sur l'écran. Puis, appuyez sur le bouton de sélection/commande de syntonisation/volume pour sélectionner le paramètre. L'écran affichera la valeur DRC actuelle.

4. Tournez le bouton de sélection/commande de syntonisation/volume pour sélectionner le paramètre DRC souhaité.
5. Appuyez sur le bouton de sélection/commande de syntonisation/volume pour confirmer le paramètre.

Syntonisation par balayage – FM

1. Appuyez sur le bouton d'alimentation pour allumer la radio.
2. Appuyez sur le bouton BAND pour sélectionner la gamme d'ondes souhaitée. Assurez-vous que l'antenne tige souple courbée est correctement placée pour optimiser la réception FM. Évitez de faire fonctionner la radio près de l'écran d'un ordinateur ou d'un autre appareil susceptible de provoquer des interférences avec la radio.
3. Appuyez sur le bouton Auto Tune pour que la radio cherche une station radio et s'arrête automatiquement lorsqu'elle en trouve une. La radio continue de chercher la station suivante disponible, sauf si l'opérateur appuie sur le bouton Auto Tune pour arrêter le balayage.
4. Tournez le bouton de sélection/commande de syntonisation/volume pour obtenir le niveau audio souhaité. Sur l'écran LCD sont affichés les changements de niveau audio.

Remarque :

Afin d'utiliser le bouton de sélection/commande de syntonisation/volume pour trouver votre station souhaitée, maintenez enfoncé ce bouton pour passer en mode de commande de syntonisation.

5. Pour éteindre la radio, appuyez sur le bouton d'alimentation.

Zone de balayage FM

Lorsque vous utilisez le mode FM, vous pouvez régler votre radio pour qu'elle balaie les stations locales ou pour qu'elle balaie toutes les stations, y compris les stations radio éloignées.

Syntonisation manuelle – FM

1. Appuyez sur le bouton d'alimentation pour allumer la radio.
2. Appuyez sur le bouton BAND pour sélectionner la gamme d'ondes souhaitée. Réglez l'antenne comme décrit ci-dessus.
3. Tournez le bouton de sélection/commande de syntonisation/volume pour modifier la fréquence selon les incréments suivants :
FM : 50 ou 100 kHz

Remarque :

Afin d'utiliser le bouton de sélection/commande de syntonisation/volume pour trouver votre station souhaitée, maintenez enfoncé ce bouton pour passer en mode de commande de syntonisation.

4. Continuez de tourner le bouton de sélection/commande de syntonisation/volume jusqu'à ce que vous obteniez la fréquence souhaitée à l'écran.

5. Tournez le bouton de sélection/commande de syntonisation/volume pour obtenir le niveau audio souhaité.
6. Pour éteindre la radio, appuyez sur le bouton d'alimentation.

Modes d'affichage – FM

Votre radio possède plusieurs options d'affichage pour le mode radio FM :

Répétez en appuyant sur le bouton Info pour parcourir les différentes options.

- | | |
|-------------------------|--|
| a. Station de programme | Indique le nom de la station écoutée. |
| b. Texte radio | Indique le message textuel, tel que de nouveaux éléments, etc. |
| c. Type de programme | Indique le type de station écoutée, par exemple Pop, Classique, Informations, etc. |
| d. Heure et date | Indique l'heure et la date actuelles. |
| e. Fréquence | Indique la fréquence du signal FM. |

Enregistrement des stations dans des mémoires présélectionnées (DAB et FM)

Il existe 5 présélections mémorisées pour chaque gamme d'ondes.

1. Appuyez sur le bouton d'alimentation pour allumer la radio.
2. Syntonisez la radio jusqu'à la station souhaitée selon l'une des méthodes décrites précédemment.
3. Maintenez enfoncé le bouton de Présélection souhaité jusqu'à ce que le numéro présélectionné s'affiche sur l'écran, par exemple, « P2 sauvegardé ». La station est alors enregistrée dans le bouton de Présélection sélectionné.
4. Répétez cette procédure pour les présélections restantes.
5. Pour remplacer les stations enregistrées dans les mémoires présélectionnées, procédez comme indiqué précédemment.

Rappel des stations des mémoires présélectionnées (DAB et FM)

1. Appuyez sur le bouton d'alimentation pour allumer la radio.
2. Appuyez sur le bouton BAND pour sélectionner votre gamme d'ondes souhaitée.
3. Appuyez brièvement sur le bouton de Présélection souhaité. Le numéro et la fréquence de la station présélectionnés apparaissent sur l'écran.

Langues (uniquement disponible pour DMR110)

Huit langues sont disponibles dans la radio : l'anglais, l'allemand, l'italien, le français, le néerlandais, le danois, le norvégien et le polonais.

1. Appuyez sur le bouton Paramètres avancés.
2. Tournez le bouton de sélection/commande de syntonisation/volume jusqu'à ce que « Langue » apparaisse sur l'écran. Appuyez sur le bouton de

sélection/commande de syntonisation/volume pour sélectionner le paramètre.

3. Tournez le bouton de sélection/commande de syntonisation/volume pour sélectionner votre langue. Appuyez sur le bouton de sélection/commande de syntonisation/volume pour confirmer votre paramètre.

Réglage de la luminosité

Vous pouvez régler le rétroéclairage de l'affichage.

1. Appuyez sur le bouton Paramètres avancés.
2. Tournez le bouton de sélection/commande de syntonisation/volume jusqu'à ce que « Rétroéclairage » apparaisse sur l'écran. Appuyez sur le bouton de sélection/commande de syntonisation/volume pour sélectionner le paramètre.
3. Tournez le bouton de sélection/commande de syntonisation/volume pour choisir d'activer ou de désactiver la fonction rétroéclairage, puis appuyez sur ce bouton pour confirmer le paramètre.

Réinitialisation du système

Si votre radio ne fonctionne pas correctement ou si certains chiffres affichés sont manquants ou incomplets, procédez comme suit.

1. Appuyez sur le bouton Paramètres avancés.
2. Tournez le bouton de sélection/commande de syntonisation/volume jusqu'à ce que « Réinitialisation » apparaisse sur l'écran. Appuyez sur le bouton de sélection/commande de syntonisation/volume pour sélectionner le paramètre.
3. Tournez le bouton de sélection/commande de syntonisation/volume pour sélectionner « Oui ». Appuyez sur le bouton de sélection/commande de syntonisation/volume pour confirmer le paramètre. Une réinitialisation complète sera effectuée.

Version du logiciel

1. Appuyez sur le bouton Paramètres avancés.
2. Tournez le bouton de sélection/commande de syntonisation/volume jusqu'à ce que « Version logiciel » apparaisse sur l'écran. Appuyez sur le bouton de sélection/commande de syntonisation/volume pour afficher la version du logiciel installé sur la radio.

Port micro-USB pour mise à jour de logiciel

Les mises à jour de logiciel pour votre radio peuvent être disponibles à l'avenir.

Puisque des mises à jour de logiciel sont disponibles, vous pouvez trouver le logiciel et des informations sur la manière de mettre à jour votre radio sur le [site internet de Makita](#).

Comment lire d'autres appareils audio

⚠ ATTENTION :

Débranchez cet appareil avant d'y raccorder d'autres appareils audio.

- Il y a 2 prises d'entrée AUX IN. La prise AUX IN 1 se trouve sur le panneau avant, et la prise AUX IN 2 dans le compartiment à batteries.

- Raccordez une source stéréo ou mono (par exemple, un lecteur iPod, MP3 ou CD) à la prise AUX IN 1 ou AUX IN 2 à l'aide d'un cordon audio.
- Enfoncez et relâchez plusieurs fois le bouton BAND jusqu'à ce que « AU1 » ou « AU2 » s'affiche pour activer la fonction AUX.

ENTRETIEN

ATTENTION :

- N'utilisez jamais d'essence, de benzine, de diluant, d'alcool ou de produit similaire. Ces produits risquent de provoquer des décolorations, des déformations ou des fissures.

SPÉCIFICATIONS

Puissance consommée

Adaptateur secteur	12 V C.C./1 A, broche centrale positive
Batterie	Batterie de type « bloc » : 7,2 V - 10,8 V Batterie coulissante : 10,8 V - 18 V
Gamme de fréquences	FM 87.50 - 108 MHz DAB/DAB+ 174,928 - 239,200 MHz
Blocage des canaux DAB/DAB+	DAB (Band III) 5A-13F
Norme compatible	DAB (DMR109) DAB/DAB+ (DMR110)

Fonction du circuit

Haut-parleur	3 pouces 8 ohm
Puissance de sortie	7,2 V : 0,5 W x 2 10,8 V : 1,2 W x 2 14,4 V : 2,2 W x 2 18 V : 3,5 W x 2
Borne d'entrée	diamètre 3,5 mm (AUX IN 1/AUX IN 2)
Système d'antenne	DAB/FM : antenne tige souple courbée
Dimensions (L x P x H) en mm	280 x 163 x 302
Poids	4,0 kg (sans la batterie)

DEUTSCH (Originalanweisungen)

SYMBOLLE

Im Folgenden sind die im Zusammenhang mit diesem Gerät verwendeten Symbole dargestellt. Machen Sie sich vor der Benutzung des Geräts unbedingt mit diesen Symbolen vertraut.



..... Lesen Sie die Betriebsanleitung.



..... Nur für EU-Länder
Entsorgen Sie Elektrowerkzeuge,
Batterien und Akkus nicht über den
Hausmüll!



Gemäß Europäischer Richtlinie
2002/96/EG über Elektro- und
Elektronik-Altgeräte, 2006/66/EG
über Batterien und Akkumulatoren
sowie Altbatterien und
Altakkumulatoren und Umsetzung in
nationales Recht müssen
verbrauchte Elektrowerkzeuge,
Altbatterien und Altakkumulatoren
getrennt gesammelt und einer
umweltgerechten Wiederverwertung
zugeführt werden.

WICHTIGE SICHERHEITSHINWEISE

WARNUNG:

Bei der Verwendung von Elektrogeräten müssen stets grundlegende Sicherheitsmaßnahmen befolgt werden, zu denen auch die im Folgenden genannten gehören, um die Gefahr von Verletzungen, Stromschlägen und Bränden zu verringern:

1. Lesen Sie vor der Verwendung des Geräts die vorliegende Betriebsanleitung sowie die Betriebsanleitung zum Ladegerät aufmerksam durch.
2. Reinigen Sie dieses Gerät lediglich mit einem trockenen Tuch.
3. Stellen Sie dieses Gerät nicht in der Nähe von Wärmequellen wie etwa Radiatoren, Heizregistern, Öfen oder anderen wärmeerzeugenden Apparaturen (einschließlich Verstärker) auf.
4. Verwenden Sie ausschließlich vom Hersteller vorgegebene Anbaugeräte bzw. Zubehörteile.
5. Ziehen Sie bei einem Gewitter, oder wenn Sie das Gerät für längere Zeit nicht verwenden, den Netzstecker dieses Geräts.
6. Ein akkubetriebenes Radio mit eingebauten Akku oder einem herausnehmbaren Akkupack darf nur mit dem spezifizierten Ladegerät geladen werden. Ein für einen bestimmten Akkutyp vorgesehenes Ladegerät kann Feuer verursachen, wenn es für andere Akkus verwendet wird.
7. Ein akkubetriebenes Radio darf nur mit den dafür speziell vorgesehenen Akkupacks verwendet werden. Bei Verwendung anderer Akkus besteht Brandgefahr.
8. Zurzeit nicht verwendete Akkus dürfen nicht in der Nähe von anderen metallischen Gegenständen wie Büroklammern, Münzen, Schlüssel, Nägeln, Schrauben oder sonstigen metallischen

Kleingegenständen aufbewahrt werden, da die Gefahr besteht, dass eine leitende Verbindung zwischen den Kontakten hergestellt wird. Ein Kurzschluss der Akkukontakte kann Funken oder Verbrennungen verursachen und stellt eine Brandgefahr dar.

9. Vermeiden Sie Körperkontakt zu geerdeten Flächen wie Rohren, Radiatoren, Herdplatten und Heiz- bzw. Kühlelementen. Wenn Ihr Körper geerdet ist, besteht bei einem elektrischen Schlag eine erhöhte Gefahr.
10. Bei unsachgemäßem Gebrauch kann Flüssigkeit aus dem Akku austreten; vermeiden Sie in diesem Fall jeglichen Kontakt mit der Flüssigkeit. Wenn Sie versehentlich mit Akkuflüssigkeit in Berührung geraten, waschen Sie die betroffene Stelle gründlich mit Wasser ab. Wenn die Flüssigkeit in die Augen geraten ist, suchen Sie anschließend umgehend einen Arzt auf. Die aus dem Akku austretende Flüssigkeit kann Hautreizungen und Verbrennungen verursachen.
11. Der NETZSTECKER wird als Trenneinrichtung genutzt und muss ständig zugänglich sein.

BEWAHREN SIE DIESE ANLEITUNG SORGFÄLTIG AUF

WICHTIGE SICHERHEITSANWEISUNGEN FÜR AKKUBLOCK

1. Lesen Sie sich vor der Verwendung des Akkublocks alle Anweisungen und Sicherheitshinweise für das Akkuladegerät (1), den Akku (2) und das Produkt (3), für das der Akku verwendet wird, sorgfältig durch.
2. Der Akkublock darf nicht zerlegt werden.
3. Falls die Betriebsdauer erheblich kürzer wird, beenden Sie den Betrieb umgehend. Andernfalls besteht die Gefahr einer Überhitzung sowie die Gefahr von Verbrennungen und sogar einer Explosion.
4. Wenn Elektrolyt in die Augen geraten ist, waschen Sie die Augen mit klarem Wasser aus, und suchen Sie sofort einen Arzt auf. Anderenfalls kann es zum Verlust des Augenlichts kommen.
5. Vermeiden Sie einen Kurzschluss des Akkublocks:
 - (1) Die Kontakte dürfen nicht mit leitenden Materialien in Berührung kommen.
 - (2) Der Akkublock darf nicht in einem Behälter aufbewahrt werden, in dem sich andere metallische Gegenstände wie beispielsweise Nägel, Münzen usw. befinden.
 - (3) Der Akkublock darf keiner Feuchtigkeit und keinem Regen ausgesetzt werden. Ein Kurzschluss des Akkus kann zu hohen elektrischen Strömen, Überhitzung, Verbrennungen und sogar zu einer Zerstörung des Geräts führen.Ein Kurzschluss des Akkus kann zu hohen elektrischen Strömen, Überhitzung, Verbrennungen und sogar zu einer Zerstörung des Geräts führen.
6. Gerät und Akkublock dürfen nicht an Orten aufbewahrt werden, an denen Temperaturen von 50°C oder mehr auftreten können.

7. Auch schwer beschädigte oder völlig unbrauchbar gewordene Akkublöcke dürfen nicht verbrannt werden. Ein Akkublock kann in den Flammen explodieren.
 8. Lassen Sie den Akku nicht fallen und vermeiden Sie Schläge gegen den Akku.
 9. Verwenden Sie niemals einen beschädigten Akku.
 10. Die enthaltenen Lithium-Ionen-Akkus unterliegen den gesetzlichen Bestimmungen über Gefahrgüter. Beim kommerziellen Transport durch Dritte, z. B. Speditionsunternehmen, sind die besonderen Verpackungs- und Kennzeichnungsvorschriften zu beachten.
Es ist unbedingt erforderlich, einen Fachmann für Gefahrstoffe bei der Vorbereitung der Ware für den Versand zu konsultieren. Bitte beachten Sie auch die geltenden nationalen Bestimmungen, die möglicherweise weitere Maßnahmen vorschreiben. Offene Kontakte müssen abgeklebt oder abgedeckt werden und der Akku muss so verpackt werden, dass er in der Verpackung nicht verrutschen kann.
 11. Befolgen Sie die in Ihrem Land geltenden Bestimmungen zur Entsorgung von Akkus.
8. Buchse DC IN
 9. Buchse AUX IN 1
 10. LCD-Display
 11. Flexible Stabantenne
 12. Griff
 13. Akkufachabdeckung (deckt den Akkublock ab)
 14. Lautsprecher
 15. Akkufachverriegelung
 16. Eingangsbuchse (AUX IN 2)
 17. Micro-USB-Anschluss für Softwareaktualisierung
 18. Akkufach
 19. Roter Bereich
 20. Taste
 21. Akkublock
 22. Anzeigenlampen
 23. Akkuprüftaste

EIGENSCHAFTEN

- FM/DAB (DMR109)
- FM/DAB oder DAB+ (DMR110)
- Großes LCD-Display mit Beleuchtung
- Sendereinstellung Manuell / Voreingestellte Sender / Sendersuchlauf
- Sendereinstellung und Lautstärkeregelung durch Drehknopf
- 5 Senderspeicher für jedes Band
- Micro-USB-Anschluss für Softwareaktualisierung
- Stereo-Lautsprecher für volles Klangbild
- Äußerst robuster Aufbau
- Spritzwasser geschützt gemäß IP64
- Stromversorgung durch Makita Akkublock oder über den mitgelieferten Netzadapter

BEWAHREN SIE DIESE ANLEITUNG SORGFÄLTIG AUF.

⚠ ACHTUNG: Verwenden Sie ausschließlich Originalakkus von Makita. Die Verwendung von Akkus anderer Hersteller als Makita oder von abgeänderten Akkus kann zu einer Explosion der Akkus und in Folge zu Feuer sowie Personen- und Sachschäden führen. Darüber hinaus verfällt die von Makita für das Werkzeug und Ladegerät ausgesprochene Garantie.

Tipps für eine maximale Nutzungsdauer von Akkus

1. Laden Sie den Akkublock auf, bevor der Akku vollständig entladen ist.
Beenden Sie stets den Betrieb des Geräts und laden Sie den Akkublock auf, sobald Sie eine verringerte Leistung feststellen.
2. Ein voll aufgeladener Akkublock darf niemals erneut geladen werden.
Durch Überladung wird die Lebensdauer des Akkus verkürzt.
3. Laden Sie den Akkublock bei einer Zimmertemperatur von 10 °C bis 40 °C auf. Lassen Sie einen heißen Akkublock vor dem Aufladen abkühlen.
4. Laden Sie den Akkublock auf, wenn Sie diesen für längere Zeit nicht verwenden (mehr als sechs Monate).

ERLÄUTERUNG DER GESAMTDARSTELLUNG (Abb. 1 bis 12)

1. Ein/Aus-Taste
2. Taste BAND
3. Einstelltaste ADVANCED (Erweiterte Einstellungen)
4. Taste INFO
5. Tasten PRESETS für voreingestellte Sender
6. Taste AUTOTUNE für automatische Sendersuche
7. Drehknopf VOLUME für Lautstärke/
Sendereinstellung/Auswahl

BETRIEBSDAUER

In der folgenden Tabelle ist die jeweilige Betriebsdauer bei vollständig geladenem Akku angegeben.

Akkuladung	Nennspannung des Akkublocks				Bei Lautsprecherleistung = 50 mW + 50 mW Einheit: Stunden (Näherungswert)
	7,2 V	10,8 V	14,4 V	18 V	
1,0 Ah	BL7010				4,5 Stunden
1,3 Ah		BL1013			5,5 Stunden
			BL1415		5,0 Stunden
				BL1815	6,0 Stunden
1,5 Ah	BL0715				6,5 Stunden
		BL1015			8,0 Stunden
			BL1415N		7,0 Stunden
				BL1815N	7,5 Stunden
2,0 Ah		BL1020B		BL1820 BL1820B	10 Stunden
3,0 Ah			BL1430 BL1430B		11 Stunden
				BL1830 BL1830B	14 Stunden
4,0 Ah		BL1040B		BL1840 BL1840B	20 Stunden
			BL1440		18 Stunden
5,0 Ah			BL1450		22 Stunden
				BL1850 BL1850B	25 Stunden
6,0 Ah			BL1460B		24 Stunden
				BL1860B	31 Stunden

 : Aufsteckakku  : Einschubakku

* Die Betriebsdauer basiert auf dem Betrieb in DAB/DAB+ pro Aufladung.

* Die Betriebszeit variiert je nach Akkutyp, Ladezustand und Nutzungsbedingungen.

MONTAGE

Einschubakkublock einsetzen bzw. entfernen (Abb. 4 bis 6)

ACHTUNG:

Schalten Sie stets das Gerät aus, bevor Sie den Akkublock entfernen.

- Zum Einsetzen des Akkublocks müssen Sie die Akkublockzunge zur inneren Gehäusenut ausrichten und den Akkublock in Position schieben. Setzen Sie den Akkublock unbedingt vollständig ein, bis er mit einem Klick einrastet.
- Ist weiterhin der oben auf der Taste befindliche rote Bereich sichtbar, dann ist der Akkublock nicht ganz eingerastet. Setzen Sie den Akkublock vollständig ein, bis der rote Bereich nicht mehr sichtbar ist. Andernfalls kann der Block versehentlich aus dem Gerät fallen und Sie oder Personen in Ihrem Umfeld verletzen.
- Wenden Sie beim Einsetzen des Akkublocks keine Gewalt an. Wenn der Akkublock nicht leicht hineingleitet, ist er nicht korrekt angesetzt.
- Zum Entnehmen des Akkublocks schieben Sie die Taste auf der Vorderseite des Akkublocks bzw. drücken Sie die Tasten an beiden Seiten des Akkublocks, und

ziehen Sie den Akkublock gleichzeitig aus dem Radio heraus.

Setzen Sie die Akkufachverriegelung wieder auf der ursprünglichen Position auf.

Verringerte Leistung, Verzerrungen und ein „stotternder“ Ton sind Anzeichen dafür, dass der Akku ausgetauscht werden muss.

Hinweis:

Der Akkublock kann nicht über den mitgelieferten Netzadapter geladen werden.

Aufsteckakku einsetzen bzw. entfernen (Abb. 7 und 8)

ACHTUNG:

Schalten Sie stets das Gerät aus, bevor Sie den Akkublock entfernen.

- Zum Einsetzen des Akkublocks richten Sie die Zunge des Akkublocks an der Rille im Gehäuse aus und schieben Sie den Akkublock in die ordnungsgemäße Position.
- Drücken Sie zum Entfernen des Akkublocks die an der Akkuseite befindlichen Knöpfe und ziehen Sie den Akkublock heraus.

Setzen Sie die Akkufachverriegelung wieder auf der ursprünglichen Position auf.

Verringerte Leistung, Verzerrungen und ein „stotternder“ Ton sind Anzeichen dafür, dass der Akku ausgetauscht werden muss.

Hinweis:

Der Akkublock kann nicht über den mitgelieferten Netzadapter geladen werden.

Anzeige der Akkurestladung (Abb. 9)

Nur für Akkublöcke mit Buchstabe „B“ am Ende der Modellnummer
Drücken Sie zum Anzeigen der Restladung des Akkus die Akkuprüftaste. Die Anzeigenlampen leuchten dann wenige Sekunden lang auf.

Anzeigenlampen			Akkurestladung
Leuchtet	Aus	Blinkt	
			75% bis 100%
			50% bis 75%
			25% bis 50%
			0% bis 25%
			Laden Sie den Akku auf.
			Möglicherweise liegt ein Defekt des Akkus vor.

Hinweis:

- Je nach Gebrauchsbedingungen und Umgebungstemperatur kann der angezeigte Ladezustand geringfügig vom tatsächlichen Ladezustand abweichen.

Einsetzen der flexiblen Stabantenne (Abb. 10 und 11)

Setzen Sie die flexible Stabantenne wie in der Abbildung dargestellt ein.

Hinweis:

Im Akkufach befindet sich eine Möglichkeit zum Aufbewahren der abgenommenen Antenne.

Betrieb mit mitgeliefertem Netzadapter (Abb. 12)

Nehmen Sie den Gummischutz ab, und stecken Sie den Adapterstecker in die Gleichspannungsbuchse (DC IN) an der Vorderseite des Radios. Stecken Sie den Netzadapter in eine herkömmliche Netzsteckdose. Bei einem Radiobetrieb mit Netzadapter wird automatisch der Akku getrennt. Bei nicht betriebenenem Radio muss der Netzadapter aus der Steckdose gezogen werden.

BETRIEB

Dieses Radio verfügt über drei Möglichkeiten der Sendereinstellung: Sendersuchlauf, manuelle Sendereinstellung und Aufrufen zuvor gespeicherter Sender.

Auswählen eines Senders – DAB

1. Schalten Sie das Radio durch Drücken der Ein/Aus-Taste ein.
2. Wählen Sie durch Drücken der Taste BAND den DAB-Modus aus.
3. Drücken Sie auf die Einstelltaste ADVANCED (Erweiterte Einstellungen), und drehen Sie den Drehknopf VOLUME für Lautstärke/ Sendereinstellung/Auswahl, bis im Display „Station List“ (Senderliste) blinkt. Drücken Sie auf den Drehknopf VOLUME für Lautstärke/ Sendereinstellung/Auswahl, um die Senderliste aufzurufen.
4. Drehen den Drehknopf VOLUME für Lautstärke/ Sendereinstellung/Auswahl, um die Senderliste zu durchblättern. Drücken Sie auf den Drehknopf, um den Sender auszuwählen.
5. Stellen Sie die gewünschte Lautstärke ein, indem Sie den Drehknopf VOLUME für Lautstärke/ Sendereinstellung/Auswahl drehen.

Displaymodi – DAB

Das Radio verfügt im DAB-Modus über verschiedene Displayoptionen:

Drücken Sie auf die Taste INFO, um durch die verschiedenen Optionen zu blättern. Die einzelnen Optionen werden unter den folgenden Buchstaben (a bis g) erläutert:

- a. Station name (Sendername)
Zeigt den Namen des eingestellten Senders an.
- b. Program type (Programmgenre)
Zeigt das Genre des eingestellten Senders an (z. B. Pop, Klassik, Nachrichten usw.).
- c. Multiplex name (Multiplex-Name)
Zeigt den Namen des DAB-Multiplex an, zu dem der eingestellte Sender gehört.
- d. Time & date (Uhrzeit und Datum)
Zeigt das aktuelle Datum und die aktuelle Uhrzeit an.
- e. Frequency and channel (Frequenz und Kanal)
Zeigt die Frequenz und die Kanalnummer des eingestellten DAB-Senders an.
- f. Bit rate/Audio type (Bitrate/Audio-Typ)
Zeigt die Bitrate und den Audio-Typ des Digital Audio des eingestellten DAB-Senders an.
- g. Signal strength (Signalstärke)
Zeigt die Signalstärke des eingestellten DAB-Senders an.

Suchen neuer Stationen – DAB

Von Zeit zu Zeit können neue DAB-Rundfunkstationen empfangbar werden. Möglicherweise sind Sie auch in einen anderen Teil des Landes gewechselt. In diesem Fall möchten Sie möglicherweise, dass das Radio nach neuen Sendern sucht.

Damit das Radio alle empfangbaren Sender finden kann, wird empfohlen, dass Sie einen vollständigen Sendersuchlauf über alle Frequenzen des DAB-Band III ausführen.

1. Drücken Sie auf die Taste AUTOTUNE (Automatische Sendereinstellung).
2. Das Radio führt daraufhin einen Sendersuchlauf über alle DAB-Frequenzen hinweg aus. Immer wenn ein neuer Sender gefunden wird, erhöht sich der Senderzähler links im Display, und die Station wird in die Liste eingetragen.

Manuelle Sendereinstellung – DAB

Mit der manuellen Sendereinstellung können Sie am Radio eine ganz konkrete DAB-Frequenz in BAND III einstellen. Diese Funktion kann auch für das Ausrichten der Antenne bzw. des Radios auf den optimalen Empfang eines bestimmten Kanals oder einer bestimmten Frequenz genutzt werden.

1. Drücken Sie auf die Einstelltaste ADVANCED (Erweiterte Einstellungen), und drehen Sie den Drehknopf VOLUME für Lautstärke/ Sendereinstellung/Auswahl, bis im Display „Manual Tune“ (Manuelle Sendereinstellung) blinkt. Drücken Sie auf den Drehknopf VOLUME für Lautstärke/ Sendereinstellung/Auswahl, um die manuelle Sendereinstellung zu aktivieren.
2. Drehen Sie den Drehknopf VOLUME für Lautstärke/ Sendereinstellung/Auswahl, um den gewünschten DAB-Kanal auszuwählen. Drücken Sie auf den Drehknopf VOLUME für Lautstärke/ Sendereinstellung/Auswahl, um die ausgewählte Frequenz zu übernehmen.

Festlegen der Reihenfolge der Sender – DAB

Das Radio verfügt über 3 Einstellungen für die Reihenfolge der Sender, von der eine ausgewählt werden kann. Die Einstellungen für die Reihenfolge der Sender sind „Alphanumeric“ (Alphanumerisch), „Ensemble“ und „Valid station“ (Gültiger Sender).

1. Drücken Sie auf die Einstelltaste ADVANCED (Erweiterte Einstellungen).
2. Drehen Sie den Drehknopf VOLUME für Lautstärke/ Sendereinstellung/Auswahl, bis im Display „Station order“ (Senderreihenfolge) angezeigt wird, und drücken Sie anschließend auf den Drehknopf VOLUME für Lautstärke/Sendereinstellung/Auswahl, um den Einstellungsmodus zu aktivieren.
3. Drehen Sie den Drehknopf VOLUME für Lautstärke/ Sendereinstellung/Auswahl, um eine der folgenden Möglichkeiten auszuwählen, und drücken Sie anschließend auf den Drehknopf, um die ausgewählte Einstellung zu übernehmen.

Alphanumeric (Alphanumerisch)

Sortiert die Senderliste alphanumerisch
0...9 A...Z

Ensemble	Organisiert die Senderliste nach DAB-Multiplex
Valid (Gültig)	Zeigt nur jene Sender an, deren Signal empfangen wird

Dynamic Range Control (DRC) – DAB

Die Funktion DRC sorgt dafür, dass leisere Passagen besser zu hören sind, wenn das Radio in einer lautstarken Umgebung genutzt wird, indem der Dynamikbereich des Audiosignals eingengt wird. Es sind drei Stufen der Komprimierung möglich:

DRC 0	Keine Komprimierung
DRC 1/2	Mittelstarke Komprimierung
DRC 1	Maximale Komprimierung

1. Schalten Sie das Radio durch Drücken der Ein/Aus-Taste ein.
2. Drücken Sie auf die Taste BAND, um das DAB-Band auszuwählen.
3. Drücken Sie auf die Einstelltaste ADVANCED (Erweiterte Einstellungen), und drehen Sie den Drehknopf VOLUME für Lautstärke/ Sendereinstellung/Auswahl, bis im Display „DRC Value“ (DRC-Wert) blinkt. Drücken Sie anschließend auf den Drehknopf VOLUME für Lautstärke/ Sendereinstellung/Auswahl, um den Einstellungsmodus zu aktivieren. Im Display wird der derzeitige eingestellte DRC-Wert angezeigt.
4. Drehen Sie den Drehknopf VOLUME für Lautstärke/ Sendereinstellung/Auswahl, um die gewünschte DRC-Einstellung auszuwählen.
5. Drücken Sie anschließend auf den Drehknopf VOLUME für Lautstärke/Sendereinstellung/Auswahl, um die Einstellung zu übernehmen.

Sendersuchlauf – FM

1. Drücken Sie die Ein/Aus-Taste, um das Radio einzuschalten.
2. Wählen Sie das gewünschte Frequenzband durch Drücken der Taste BAND. Achten Sie darauf, dass die flexible Stabantenne eingesetzt wurde, damit ein guter FM-Empfang gegeben ist. Betreiben Sie das Radio möglichst nicht in der Nähe eines Computerbildschirms oder anderer Geräte, die den Radioempfang stören könnten.
3. Drücken Sie auf die Taste AUTOTUNE (Automatische Sendereinstellung). Das Radio beginnt, nach Sendern zu suchen. Wenn ein Rundfunksender gefunden wurde, stoppt das Radio die Suche automatisch. Das Radio setzt die Suche nach den nächsten empfangbaren Sendern solange fort, bis der Benutzer auf die Taste AUTOTUNE drückt, um den Sendersuchlauf zu beenden.
4. Drehen Sie den Drehknopf VOLUME für Lautstärke/ Sendereinstellung/Auswahl, um die gewünschte Lautstärke einzustellen. Die Änderung der Lautstärke wird im LCD-Display angezeigt.

Hinweis:

Wenn Sie den gewünschten Sender anhand des Drehknopfs VOLUME für Lautstärke/ Sendereinstellung/Auswahl suchen möchten, drücken Sie den Drehknopf VOLUME für Lautstärke/ Sendereinstellung/Auswahl und halten Sie den

Drehknopf gedrückt, um zum Modus „Sendereinstellung“ zu wechseln.

5. Schalten Sie das Radio durch Drücken der Ein/Aus-Taste aus.

Sendersuchbereich für FM

Im FM-Modus kann das Radio so eingestellt werden, dass es entweder nur Sender in der Nähe oder nach allen Sendern, auch weiter entfernten, sucht.

Manuelle Sendereinstellung – FM

1. Drücken Sie die Ein/Aus-Taste, um das Radio einzuschalten.
2. Wählen Sie durch Drücken der Taste BAND das gewünschte Frequenzband aus.
Richten Sie die Antenne wie bereits oben erläutert aus.
3. Durch Drehen des Drehknopfs VOLUME für Lautstärke/Sendereinstellung/Auswahl wird die Frequenz in folgenden Schritten geändert:
FM: 50 oder 100 kHz

Hinweis:

Wenn Sie den gewünschten Sender anhand des Drehknopfs VOLUME für Lautstärke/Sendereinstellung/Auswahl suchen möchten, drücken Sie den Drehknopf VOLUME für Lautstärke/Sendereinstellung/Auswahl und halten Sie den Drehknopf gedrückt, um zum Modus „Sendereinstellung“ zu wechseln.

4. Drehen Sie den Drehknopf VOLUME für Lautstärke/Sendereinstellung/Auswahl weiter, bis die gewünschte Frequenz im Display angezeigt wird.
5. Drehen Sie den Drehknopf VOLUME für Lautstärke/Sendereinstellung/Auswahl, um die gewünschte Lautstärke einzustellen.
6. Schalten Sie das Radio durch Drücken der Ein/Aus-Taste aus.

Displaymodi – FM

Das Radio verfügt über mehrere Displayoptionen für den FM-Radiomodus:

Drücken Sie wiederholt auf die Taste INFO, um durch die verschiedenen Optionen zu blättern.

- a. Program station (Sendername)
Zeigt den Namen des eingestellten Senders an.
- b. Radio text (Radio-Text)
Zeigt Textmeldungen wie z. B. Nachrichten usw. an.
- c. Program type (Programmgenre)
Zeigt das Genre des eingestellten Senders an, beispielsweise Pop, Classic, News usw.
- d. Time & date (Uhrzeit und Datum)
Zeigt das aktuelle Datum und die aktuelle Uhrzeit an.
- e. Frequency (Frequenz)
Zeigt die Frequenz des eingestellten FM-Signals an.

Speichern von Sendern im Senderspeicher (DAB und FM)

Für jeden Frequenzbereich stehen 5 Senderspeicherplätze zur Verfügung.

1. Drücken Sie die Ein/Aus-Taste, um das Radio einzuschalten.
2. Stellen Sie anhand einer der oben beschriebenen Methoden den gewünschten Sender ein.
3. Drücken und halten Sie die gewünschte Taste unter PRESETS (Senderspeicher), bis die Nummer des Senderspeicherplatzes im Display angezeigt wird, beispielsweise „P2 Saved“ (P2 gespeichert). Der Sender ist nun unter der ausgewählten Taste unter PRESETS gespeichert.
4. Wiederholen Sie diese Schritte für die verbleibenden Senderspeicher.
5. Durch Ausführen der oben angegebenen Schritte können im Senderspeicher gespeicherte Sender überschrieben werden.

Aufrufen von Sendern aus dem Senderspeicher (DAB und FM)

1. Drücken Sie die Ein/Aus-Taste, um das Radio einzuschalten.
2. Wählen Sie durch Drücken der Taste BAND das von Ihnen gewünschte Frequenzband aus.
3. Drücken Sie die gewünschte Taste für voreingestellte Sender. Die Nummer des Senderspeichers und die Frequenz des Senders erscheinen in der Anzeige.

Sprachoptionen (nur am DMR110)

Das Radio verfügt über acht Auswahlmöglichkeiten für die Sprache: Englisch, Deutsch, Italienisch, Französisch, Niederländisch, Dänisch, Norwegisch und Polnisch.

1. Drücken Sie auf die Einstelltaste ADVANCED (Erweiterte Einstellungen).
2. Drehen Sie den Drehknopf VOLUME für Lautstärke/Sendereinstellung/Auswahl weiter, bis „Language“ (Sprache) im Display angezeigt wird. Drücken Sie auf den Drehknopf VOLUME für Lautstärke/Sendereinstellung/Auswahl, um den Einstellungsmodus zu aktivieren.
3. Drehen Sie den Drehknopf VOLUME für Lautstärke/Sendereinstellung/Auswahl, um die gewünschte Sprache auszuwählen. Drücken Sie anschließend auf den Drehknopf VOLUME für Lautstärke/Sendereinstellung/Auswahl, um die Einstellung zu übernehmen.

Regelung der Helligkeit

Die Helligkeit der Hintergrundbeleuchtung des Displays ist einstellbar.

1. Drücken Sie auf die Einstelltaste ADVANCED (Erweiterte Einstellungen).
2. Drehen Sie den Drehknopf VOLUME für Lautstärke/Sendereinstellung/Auswahl weiter, bis „Backlight“ (Hintergrundbeleuchtung) im Display angezeigt wird. Drücken Sie auf den Drehknopf VOLUME für Lautstärke/Sendereinstellung/Auswahl, um den Einstellungsmodus zu aktivieren.
3. Drehen Sie den Drehknopf VOLUME für Lautstärke/Sendereinstellung/Auswahl, um die Hintergrundbeleuchtung ein- oder auszuschalten, und

drücken Sie anschließend auf den Drehknopf VOLUME für Lautstärke/Sendereinstellung/Auswahl, um die Einstellung zu übernehmen.

Zurücksetzen des Systems

Falls das Radio nicht ordnungsgemäß funktionieren sollte oder wenn im Display Stellen fehlen oder unvollständig sind, führen Sie die folgenden Schritte aus.

1. Drücken Sie auf die Einstelltaste ADVANCED (Erweiterte Einstellungen).
2. Drehen Sie den Drehknopf VOLUME für Lautstärke/Sendereinstellung/Auswahl weiter, bis „Factory Reset“ (Auf werkseitige Einstellungen zurücksetzen) im Display angezeigt wird. Drücken Sie auf den Drehknopf VOLUME für Lautstärke/Sendereinstellung/Auswahl, um den Einstellungsmodus zu aktivieren.
3. Drehen Sie den Drehknopf VOLUME für Lautstärke/Sendereinstellung/Auswahl, um „Yes“ (Ja) auszuwählen. Drücken Sie auf den Drehknopf VOLUME für Lautstärke/Sendereinstellung/Auswahl, um die Einstellung zu übernehmen. Dadurch wird ein vollständiges Zurücksetzen ausgeführt.

Softwareversion

1. Drücken Sie auf die Einstelltaste ADVANCED (Erweiterte Einstellungen).
2. Drehen Sie den Drehknopf VOLUME für Lautstärke/Sendereinstellung/Auswahl weiter, bis „SW Version“ im Display angezeigt wird. Drücken Sie auf den Drehknopf VOLUME für Lautstärke/Sendereinstellung/Auswahl, um die im Radio installierte Softwareversion anzuzeigen.

Micro-USB-Anschluss für Softwareaktualisierung

Zukünftig werden möglicherweise Softwareaktualisierungen für das Radio zur Verfügung gestellt.

Wenn Softwareaktualisierungen verfügbar werden und wie Sie eine Aktualisierung der Software Ihres Radios vornehmen können, erfahren Sie auf der **Website von Makita**.

Wiedergeben anderer Audioquellen

ACHTUNG:

Trennen Sie dieses Gerät vom Stromnetz, bevor Sie andere Audioquellen anschließen.

- Es gibt 2 AUX IN-Buchsen. AUX IN 1 befindet sich an der Vorderseite des Geräts, und AUX IN 2 befindet sich im Akkufach.
- Schließen Sie an eine der beiden Buchsen AUX IN 1 oder AUX IN 2 über ein Audiokabel eine Stereo- oder Mono-Audioquelle an (z. B. iPod, MP3- oder CD-Player).
- Drücken Sie die Taste BAND wiederholt, bis „AU1“ oder „AU2“ angezeigt wird. Nun ist die AUX-Funktion aktiviert.

WARTUNG

ACHTUNG:

- Verwenden Sie zum Reinigen niemals Kraftstoffe, Benzin, Verdünner, Alkohol oder Ähnliches. Dies kann zu Verfärbungen, Verformungen oder Rissen führen.

TECHNISCHE DATEN

Stromversorgung

Netzadapter	Gleichspannung 12 V, 1A; mittlerer Stift Pluspol
Akku	Aufsteckakku: 7,2 V bis 10,8 V Einschubakku: 10,8 V bis 18 V
Frequenzbereich	FM 87,50 bis 108 MHz DAB/DAB+ 174,928 bis 239,200 MHz
DAB/DAB+ Kanalblock Kompatibler Standard	DAB (Band III) 5A-13F DAB (DMR109) DAB/DAB+ (DMR110)

Elektrische Daten

Lautsprecher	3 Zoll, 8 Ohm
Ausgangsleistung	7,2 V: 2 x 0,5 W 10,8 V: 2 x 1,2 W 14,4 V: 2 x 2,2 W 18 V: 2 x 3,5 W
Eingangsbuchse	Durchmesser 3,5 mm (AUX IN 1/AUX IN 2)
Antennensystem	DAB/FM: flexible Stabantenne
Abmessungen (L x B x H) in mm	280 x 163 x 302
Gewicht	4,0 kg (ohne Akku)

ITALIANO (Istruzioni originali)

SIMBOLI

Di seguito sono riportati i simboli utilizzati per l'apparecchio. È importante comprenderne il significato prima dell'uso.



..... Leggere il manuale di istruzioni.



..... Solo per i paesi UE
Non gettare le apparecchiature elettriche o le batterie tra i rifiuti domestici.



Secondo la Direttiva Europea 2002/96/CE sui rifiuti di apparecchiature elettriche ed elettroniche e la Direttiva Europea 2006/66/CE sulle batterie e gli accumulatori e sui rifiuti di batterie e di accumulatori, e la sua attuazione in conformità alle norme nazionali, le apparecchiature elettriche e le batterie esauste devono essere raccolte separatamente, al fine di essere riciclate in modo eco-compatibile.

ISTRUZIONI IMPORTANTI PER LA SICUREZZA

AVVERTENZA:

Durante l'utilizzo di utensili elettrici, è necessario adottare misure di sicurezza basilari per ridurre il rischio di incendi, scosse elettriche e lesioni personali, come ad esempio:

1. Leggere attentamente il presente manuale di istruzioni e il manuale di istruzioni del caricabatterie prima dell'uso.
2. Effettuare la pulizia solo con un panno asciutto.
3. Non installare l'apparecchio vicino a fonti di calore quali radiatori, termoregolatori, stufe o altri apparecchi (compresi gli amplificatori) che producono calore.
4. Utilizzare solo gli accessori specificati dal produttore.
5. Scollegare l'apparecchio durante i temporali o durante i periodi di inutilizzo prolungato.
6. Una radio a batteria con batterie integrate o con batteria separata deve essere ricaricata solo con il caricabatterie specifico per quel tipo di batteria. Un caricabatterie idoneo per un determinato tipo di batteria potrebbe comportare un pericolo di incendio se utilizzato con un'altra batteria.
7. Utilizzare la radio a batteria solo con le batterie specificate. L'uso di batterie diverse potrebbe comportare un pericolo di incendio.
8. Se la batteria non è in uso, tenerla lontana da altri oggetti in metallo quali graffette, monete, chiavi, chiodi, viti o altri piccoli oggetti metallici che possano stabilire un contatto tra un polo e l'altro. Un cortocircuito dei terminali della batteria potrebbe causare scintille, ustioni o incendi.
9. Evitare il contatto del corpo con superfici collegate a terra quali tubi, radiatori, forni e frigoriferi. Il rischio di

scossa elettrica aumenta se il corpo dell'operatore è collegato a terra.

10. L'uso improprio può provocare la fuoriuscita di liquido della batteria; evitare il contatto con tale liquido. In caso di contatto accidentale, sciacquare abbondantemente con acqua. Se il liquido entra in contatto con gli occhi, consultare un medico. Il liquido della batteria può causare irritazioni o ustioni.
11. La spina di alimentazione ha la funzione di dispositivo di scollegamento e deve sempre essere prontamente accessibile.

CONSERVARE QUESTE ISTRUZIONI

IMPORTANTI ISTRUZIONI DI SICUREZZA PER LA BATTERIA

1. Prima di utilizzare la batteria, leggere tutte le istruzioni e gli avvisi di sicurezza relativi a (1) caricabatterie, (2) batteria e (3) prodotto alimentato a batteria.
2. Non smontare la batteria.
3. Se il tempo di funzionamento diventa eccessivamente breve, interrompere immediatamente l'uso del prodotto. Potrebbero verificarsi surriscaldamenti, ustioni o esplosioni.
4. In caso di contatto dell'elettrolita con gli occhi, sciacquare con acqua fresca e consultare immediatamente un medico. Potrebbero verificarsi danni permanenti alla vista.
5. Non cortocircuitare la batteria:
 - (1) Non toccare i poli con materiali conduttori.
 - (2) Evitare di conservare la batteria in un contenitore con altri oggetti metallici come chiodi, monete e così via.
 - (3) Non esporre la batteria all'acqua o alla pioggia. Un cortocircuito della batteria può causare un elevato flusso di corrente, con conseguenti surriscaldamenti, possibili ustioni e persino guasti.

Un cortocircuito della batteria può causare un elevato flusso di corrente, con conseguenti surriscaldamenti, possibili ustioni e persino guasti.

6. Non conservare l'utensile e la batteria in ambienti in cui la temperatura può raggiungere o superare 50°C.
7. Non smaltire la batteria nel fuoco, nemmeno se gravemente danneggiata o del tutto esausta. Se esposta al fuoco, la batteria può esplodere.
8. Non far cadere né colpire la batteria.
9. Non utilizzare batterie danneggiate.
10. Le batterie agli ioni di litio contenute nel prodotto sono soggette ai requisiti di legge relativi a merci pericolose. Per il trasporto commerciale, ad esempio da parte di terzi o di spedizionieri, si devono osservare requisiti speciali di imballaggio ed etichettatura. Durante la preparazione dell'articolo da spedire, è necessario consultare un esperto di materiali pericolosi. Si prega di osservare anche eventuali norme nazionali maggiormente dettagliate. Applicare del nastro adesivo sui contatti aperti e imballare la batteria in modo tale che non possa muoversi all'interno dell'imballaggio.

11. Osservare le normative locali in materia di smaltimento delle batterie.

CONSERVARE QUESTE ISTRUZIONI.

⚠ ATTENZIONE: Utilizzare esclusivamente batterie originali Makita. L'utilizzo di batterie non originali Makita o di batterie modificate potrebbe dare luogo all'esplosione della batteria, con conseguenti incendi, lesioni personali e danni. Inoltre, tale utilizzo determina l'annullamento della garanzia Makita per l'utensile e il caricabatterie Makita.

Suggerimenti per prolungare la durata della batteria

1. Caricare la batteria prima che sia completamente scarica.
Interrompere il lavoro e caricare la batteria se si nota una diminuzione di potenza dell'utensile.
2. Non ricaricare una batteria completamente carica.
Una ricarica eccessiva riduce la vita utile della batteria.
3. Caricare la batteria a una temperatura ambiente compresa tra 10°C e 40°C. Attendere il raffreddamento della batteria prima di caricarla.
4. Caricare la batteria qualora non venga utilizzata per un lungo periodo (superiore a sei mesi).

SPIEGAZIONE DELLA VISTA GENERALE (Fig. 1-12)

1. Pulsante di accensione
2. Pulsante Band (banda)
3. Pulsante Advanced (impostazioni avanzate)
4. Pulsante Info (informazioni)
5. Pulsanti Presets (preselezioni)
6. Pulsante Auto Tune (sintonizzazione automatica)
7. Manopola Volume/Tuning/Select (volume/sintonizzazione/selezione)
8. Presa DC IN
9. AUX IN 1
10. Display LCD
11. Antenna a stelo morbida
12. Impugnatura
13. Coperchio del vano batteria (copertura della batteria)
14. Altoparlante
15. Fermo del vano batteria
16. Terminale d'ingresso (AUX IN 2)
17. Porta micro USB per aggiornamento del software
18. Vano batteria
19. Indicatore rosso
20. Pulsante
21. Batteria
22. Spie luminose
23. Pulsante di controllo

CARATTERISTICHE

- FM/DAB (DMR109)
- FM/DAB o DAB+ (DMR110)
- Ampio display LCD con illuminazione
- Sintonizzazione manuale/a preselezione/a scansione
- Manopola a rotazione per sintonizzazione e volume

- 5 stazioni preselezionate per ogni banda
- Porta micro USB per aggiornamento del software
- Altoparlante stereo per elevate prestazioni sonore
- Design ultraresistente
- Resistente all'acqua fino a IP64
- Alimentazione mediante batteria Makita e alimentatore supplementare

TEMPO DI FUNZIONAMENTO

Le tabelle che seguono indicano il tempo di funzionamento con una batteria completamente carica.

Capacità della batteria	Tensione della batteria				All'uscita dell'altoparlante = 50 mW + 50 mW Unità: ore (valori approssimativi)
	7,2 V	10,8 V	14,4 V	18 V	
1,0 Ah	BL7010				4,5 ore
1,3 Ah		BL1013			5,5 ore
			BL1415		5,0 ore
				BL1815	6,0 ore
1,5 Ah	BL0715				6,5 ore
		BL1015			8,0 ore
			BL1415N		7,0 ore
				BL1815N	7,5 ore
2,0 Ah		BL1020B		BL1820 BL1820B	10 ore
3,0 Ah			BL1430 BL1430B		11 ore
				BL1830 BL1830B	14 ore
4,0 Ah		BL1040B		BL1840 BL1840B	20 ore
			BL1440		18 ore
5,0 Ah			BL1450		22 ore
				BL1850 BL1850B	25 ore
6,0 Ah			BL1460B		24 ore
				BL1860B	31 ore

 : Batteria a cluster  : Batteria a scorrimento

* Il tempo di funzionamento è basato sul funzionamento nella modalità DAB/DAB+ con una singola ricarica.

* Il tempo di funzionamento può variare in base al tipo di batteria, allo stato di carica e alle condizioni di utilizzo.

INSTALLAZIONE

Inserimento o rimozione della batteria a scorrimento (Fig. 4-6)

ATTENZIONE:

Spegnerne sempre la radio prima di rimuovere la batteria.

- Per inserire la batteria, allineare la linguetta sulla batteria con la scanalatura nell'alloggiamento e farla scorrere in posizione. Inserire a fondo la batteria fino a bloccarla in posizione con uno scatto.
- Se è visibile l'indicatore rosso sul lato superiore del pulsante, significa che la batteria non è completamente inserita. Inserirla a fondo fino alla scomparsa dell'indicatore rosso. In caso contrario, la batteria potrebbe fuoriuscire accidentalmente dalla radio, provocando lesioni all'operatore o a eventuali osservatori.
- Non esercitare una forza eccessiva durante l'inserimento della batteria. Se la batteria non scorre agevolmente, significa che la manovra di inserimento non è corretta.
- Per rimuovere la batteria, estrarla dalla radio facendo scorrere il pulsante nella parte anteriore della batteria oppure premendo i pulsanti su entrambi i lati della batteria stessa.

Riportare il fermo del vano batteria nella posizione originale.

La riduzione della potenza, la distorsione e l'audio frammentato segnalano la necessità di sostituire la batteria.

Nota:

Non è possibile ricaricare la batteria tramite l'alimentatore CA in dotazione.

Inserimento o rimozione della batteria a cluster (Fig. 7 e 8)

ATTENZIONE:

Spegnerne sempre la radio prima di rimuovere la batteria.

- Per inserire la batteria, allineare la linguetta sulla batteria con la scanalatura nell'alloggiamento e farla scorrere in posizione.
- Per rimuovere la batteria, estrarla dal terminale premendo i pulsanti su entrambi i lati della batteria.

Riportare il fermo del vano batteria nella posizione originale.

La riduzione della potenza, la distorsione e l'audio frammentato segnalano la necessità di sostituire la batteria.

Nota:

Non è possibile ricaricare la batteria tramite l'alimentatore CA in dotazione.

Indicazione della capacità residua della batteria (Fig. 9)

Solo per le batterie il cui numero di modello termina con "B"

Premere il pulsante di controllo sulla batteria per visualizzare la capacità residua della batteria. Le spie luminose si accendono per qualche secondo.

Spie luminose			Capacità residua
Accesa	Spenta	Lampeggiante	
■	□	◐	Da 75% a 100%
■	■	□	Da 50% a 75%
■	□	□	Da 25% a 50%
■	□	□	Da 0% a 25%
◐	□	□	Caricare la batteria.
■	■	□	Probabile malfunzionamento della batteria.
□	□	■	

Nota:

- Il valore indicato potrebbe variare leggermente rispetto alla capacità effettiva in base alle condizioni di utilizzo e alla temperatura ambiente.

Installazione dell'antenna a stelo morbida (Fig. 10 e 11)

Installare l'antenna a stelo morbida come mostrato nella figura.

Nota:

Nel vano batteria è presente un comparto concepito per conservare l'antenna rimossa.

Utilizzo dell'alimentatore CA in dotazione (Fig. 12)

Rimuovere la protezione in gomma e inserire la spina dell'alimentatore nella presa CC sulla parte anteriore della radio. Collegare l'alimentatore a una presa di corrente standard. Durante l'utilizzo dell'alimentatore, la batteria viene scollegata automaticamente. Se non utilizzato, l'alimentatore CA deve essere scollegato dall'alimentazione principale.

USO

Questa radio è dotata di tre modalità di sintonizzazione: a scansione, manuale e a preselezione.

Selezione di una stazione – DAB

1. Premere il pulsante di accensione per accendere la radio.
2. Selezionare la modalità DAB premendo il pulsante Band (banda).
3. Premere il pulsante Advanced (impostazioni avanzate) e ruotare la manopola Volume/Tuning/Select (volume/sintonizzazione/selezione) fino a quando sullo schermo non lampeggia l'indicazione "Station List" (Elenco stazioni). Premere la manopola Volume/Tuning/Select (volume/sintonizzazione/selezione) per accedere all'elenco delle stazioni.
4. Ruotare la manopola Volume/Tuning/Select (volume/sintonizzazione/selezione) per scorrere l'elenco delle stazioni disponibili. Premere la manopola per selezionare la stazione.
5. Regolare il volume sul livello desiderato ruotando la manopola Volume/Tuning/Select (volume/sintonizzazione/selezione).

Modalità del display – DAB

La radio presenta diverse opzioni di visualizzazione nella modalità DAB:

Premere il pulsante Info (informazioni) per scorrere le varie opzioni descritte di seguito (lettere da a. a g.).

- a. Nome della stazione Indica il nome della stazione che si sta ascoltando.
- b. Tipo di programma Indica il tipo di stazione che si sta ascoltando. Esempi: Pop, Classics, News, ecc.
- c. Nome multiplex Indica il nome del multiplex DAB a cui appartiene la stazione corrente.
- d. Ora e data Indica la data e ora corrente.
- e. Frequenza e canale Indica la frequenza e il numero di canale della stazione DAB attualmente sintonizzata.
- f. Velocità in bit/Tipo di audio Indica la velocità in bit dell'audio digitale e il tipo di audio per la stazione DAB attualmente sintonizzata.
- g. Intensità del segnale Indica l'intensità del segnale per la stazione DAB attualmente sintonizzata.

Ricerca di nuove stazioni – DAB

Di tanto in tanto potrebbero divenire disponibili nuove stazioni radio DAB. Potrebbe altresì capitare di trasferirsi in una zona diversa del Paese. In tal caso potrebbe essere necessario attivare la radio per eseguire la ricerca di nuove stazioni.

Per consentire alla radio di trovare le stazioni disponibili, si consiglia di eseguire una scansione completa di tutte le frequenze DAB Band III.

1. Premere il pulsante Auto Tune (sintonizzazione automatica).
2. La radio eseguirà una scansione completa delle frequenze DAB. Man mano che vengono trovate nuove stazioni, il contatore delle stazioni sul lato sinistro del display aumenterà e le stazioni verranno aggiunte all'elenco.

Sintonizzazione manuale – DAB

La sintonizzazione manuale consente di sintonizzare la radio su una particolare frequenza DAB in Band III. Questa funzione può anche essere utilizzata per coadiuvare il posizionamento dell'antenna o della radio in modo da ottimizzare la ricezione per uno specifico canale o frequenza.

1. Premere il pulsante Advanced (impostazioni avanzate) e ruotare la manopola Volume/Tuning/Select (volume/sintonizzazione/selezione) fino a quando sul display non viene visualizzato "Manual Tune" (sintonizzazione manuale). Premere la manopola Volume/Tuning/Select (volume/sintonizzazione/selezione) per passare alla modalità di sintonizzazione manuale.
2. Ruotare la manopola Volume/Tuning/Select (volume/sintonizzazione/selezione) per selezionare il canale DAB desiderato. Premere la manopola Volume/Tuning/Select (volume/sintonizzazione/selezione) per confermare la frequenza selezionata.

Configurazione dell'ordine delle stazioni – DAB

La radio dispone di 3 impostazioni per l'ordine delle stazioni tra cui scegliere. Le impostazioni per l'ordine delle stazioni sono alfanumerico, ensemble e stazione valida.

1. Premere il pulsante Advanced (impostazioni avanzate).
2. Ruotare la manopola Volume/Tuning/Select (volume/sintonizzazione/selezione) fino a quando sul display non viene visualizzato "Station order" (Ordine stazioni), quindi premere la manopola Volume/Tuning/Select (volume/sintonizzazione/selezione) per accedere all'impostazione.
3. Ruotare la manopola Volume/Tuning/Select (volume/sintonizzazione/selezione) per selezionare le seguenti opzioni e premere la manopola per confermare l'impostazione.

Alphanumeric (alfanumerico)

L'elenco delle stazioni viene disposto in ordine alfanumerico 0...9 A...Z

Ensemble

L'elenco delle stazioni viene organizzato per multiplex DAB

Valid (stazioni valide)

Vengono visualizzate soltanto le stazioni per le quali può essere trovato un segnale

Controllo della gamma dinamica (DRC) – DAB

La funzione di controllo della gamma dinamica DRC (Dynamic Range Control) facilita l'ascolto dei suoni a basso volume quando la radio viene utilizzata in un ambiente rumoroso, riducendo la gamma dinamica del segnale audio. Sono disponibili tre livelli di compressione:

- | | |
|---------|--|
| DRC 0 | Nessuna compressione applicata. |
| DRC 1/2 | Viene applicata una compressione media. |
| DRC 1 | Viene applicata la compressione massima. |

1. Premere il pulsante di accensione per accendere la radio.
2. Premere il pulsante Band (banda) per selezionare la banda DAB.
3. Premere il pulsante Advanced (impostazioni avanzate) e ruotare la manopola Volume/Tuning/Select (volume/sintonizzazione/selezione) fino a quando sul display non viene visualizzato "DRC Value" (valore DRC). Premere quindi la manopola Volume/Tuning/Select (volume/sintonizzazione/selezione) per accedere all'impostazione. Sul display viene visualizzato il valore DRC corrente.
4. Ruotare la manopola Volume/Tuning/Select (volume/sintonizzazione/selezione) per selezionare l'impostazione DRC desiderata.
5. Premere la manopola Volume/Tuning/Select (volume/sintonizzazione/selezione) per confermare l'impostazione.

Sintonizzazione a scansione – FM

1. Premere il pulsante di accensione per accendere la radio.
2. Selezionare la banda di frequenza desiderata premendo il pulsante Band (banda). Per una ricezione migliore in FM, assicurarsi che l'antenna a stelo morbida sia posizionata correttamente. Evitare di utilizzare la radio accanto al monitor di un computer o ad altri apparecchi che potrebbero causare interferenze.
3. Premere il pulsante Auto Tune (sintonizzazione automatica) per avviare la ricerca, che si interrompe automaticamente quando viene trovata una stazione radio. La radio continua la ricerca della successiva stazione disponibile a meno che l'operatore non prema il pulsante Auto Tune (sintonizzazione automatica) per interrompere la scansione.
4. Ruotare la manopola Volume/Tuning/Select (volume/sintonizzazione/selezione) per impostare il volume desiderato per l'audio. Sul display LCD vengono visualizzate le modifiche al volume.

Nota:

Per utilizzare la manopola Volume/Tuning/Select (volume/sintonizzazione/selezione) per trovare la stazione desiderata, tenere premuta la manopola Volume/Tuning/Select (volume/sintonizzazione/selezione) per passare alla modalità di controllo della sintonizzazione.

5. Per spegnere la radio, premere il pulsante di accensione.

Zona di scansione FM

Quando si utilizza la modalità FM, la radio può essere impostata per eseguire la scansione delle stazioni locali o di tutte le stazioni, comprese le stazioni radio più distanti.

Sintonizzazione manuale – FM

1. Premere il pulsante di accensione per accendere la radio.
2. Premere il pulsante Band (banda) per selezionare la banda di frequenza desiderata. Regolare l'antenna come descritto sopra.

3. Ruotare la manopola Volume/Tuning/Select (volume/sintonizzazione/selezione) per cambiare la frequenza con gli incrementi seguenti:

FM: 50 o 100 kHz

Nota:

Per utilizzare la manopola Volume/Tuning/Select (volume/sintonizzazione/selezione) per trovare la stazione desiderata, tenere premuta la manopola Volume/Tuning/Select (volume/sintonizzazione/selezione) per passare alla modalità di controllo della sintonizzazione.

4. Continuare a ruotare la manopola Volume/Tuning/Select (volume/sintonizzazione/selezione) finché sul display non viene visualizzata la frequenza desiderata.
5. Ruotare la manopola Volume/Tuning/Select (volume/sintonizzazione/selezione) per impostare il volume desiderato per l'audio.
6. Per spegnere la radio, premere il pulsante di accensione.

Modalità del display – FM

La radio presenta diverse opzioni di visualizzazione per la modalità FM:

Continuare a premere il pulsante Info (informazioni) per scorrere le varie opzioni.

- | | |
|-----------------------|---|
| a. Stazione programma | Indica il nome della stazione che si sta ascoltando. |
| b. Testo della radio | Visualizza il messaggio di testo della radio, ad esempio nuove proposte, ecc. |
| c. Tipo di programma | Indica il tipo di stazione che si sta ascoltando (ad esempio Pop, Classics, News, ecc.) |
| d. Ora e data | Indica la data e ora corrente. |
| e. Frequenza | Indica la frequenza del segnale FM. |

Memorizzazione delle stazioni nelle memorie di preselezione (DAB e FM)

Sono disponibili 5 memorie di preselezione per ogni banda.

1. Premere il pulsante di accensione per accendere la radio.
2. Sintonizzarsi sulla stazione desiderata utilizzando uno dei metodi sopra descritti.
3. Tenere premuto il pulsante Preset (preselezione) desiderato fino a visualizzare il numero di preselezione sul display, ad esempio "P2 Saved" (P2 salvato). La stazione viene quindi memorizzata nel pulsante di preselezione scelto.
4. Ripetere la procedura per le rimanenti preselezioni.
5. Le stazioni salvate nelle memorie di preselezione possono essere sovrascritte attenendosi alle procedure sopra descritte.

Selezione delle stazioni dalle memorie di preselezione (DAB e FM)

1. Premere il pulsante di accensione per accendere la radio.
2. Premere il pulsante Band (banda) per selezionare la banda di frequenza desiderata.

3. Premere brevemente il pulsante Preset (preselezione) desiderato. Sul display vengono visualizzati il numero di preselezione e la frequenza della stazione.

Opzioni per la lingua (disponibile solo in DMR110)

Sono disponibili otto opzioni per la lingua nella radio: inglese, tedesco, italiano, francese, olandese, danese, norvegese e polacco.

1. Premere il pulsante Advanced (impostazioni avanzate).
2. Ruotare la manopola Volume/Tuning/Select (volume/sintonizzazione/selezione) finché sul display non viene visualizzato "Language" (lingua). Premere la manopola Volume/Tuning/Select (volume/sintonizzazione/selezione) per accedere all'impostazione.
3. Ruotare la manopola Volume/Tuning/Select (volume/sintonizzazione/selezione) per scegliere la lingua desiderata. Premere la manopola Volume/Tuning/Select (volume/sintonizzazione/selezione) per confermare l'impostazione.

Controllo della luminosità

È possibile regolare la retroilluminazione del display.

1. Premere il pulsante Advanced (impostazioni avanzate).
2. Ruotare la manopola Volume/Tuning/Select (volume/sintonizzazione/selezione) finché sul display non viene visualizzato "Backlight" (retroilluminazione). Premere la manopola Volume/Tuning/Select (volume/sintonizzazione/selezione) per accedere all'impostazione.
3. Ruotare la manopola Volume/Tuning/Select (volume/sintonizzazione/selezione) per abilitare o disabilitare la funzione di retroilluminazione, quindi premere la manopola Volume/Tuning/Select (volume/sintonizzazione/selezione) per confermare l'impostazione.

Ripristino del sistema

Se la radio non funziona correttamente, oppure se alcune cifre sul display mancano o sono incomplete, è possibile provare a eseguire la seguente procedura.

1. Premere il pulsante Advanced (impostazioni avanzate).
2. Ruotare la manopola Volume/Tuning/Select (volume/sintonizzazione/selezione) finché sul display non viene visualizzato "Factory Reset" (ripristino valori di fabbrica). Premere la manopola Volume/Tuning/Select (volume/sintonizzazione/selezione) per accedere all'impostazione.
3. Ruotare la manopola Volume/Tuning/Select (volume/sintonizzazione/selezione) per scegliere "Yes" (sì). Premere la manopola Volume/Tuning/Select (volume/sintonizzazione/selezione) per confermare l'impostazione ed eseguire un ripristino completo.

Versione del software

1. Premere il pulsante Advanced (impostazioni avanzate).
2. Ruotare la manopola Volume/Tuning/Select (volume/sintonizzazione/selezione) finché sul display non viene visualizzato "SW Version" (versione software).

Premere la manopola Volume/Tuning/Select (volume/sintonizzazione/selezione) per visualizzare la versione del software installato nella radio.

Peso

4,0 kg (senza batteria)

Porta micro USB per aggiornamento del software

In futuro potrebbero essere disponibili degli aggiornamenti software per la radio.

Gli aggiornamenti software disponibili sono reperibili nel **sito Web di Makita** insieme alle informazioni su come aggiornare la radio.

Come utilizzare altri dispositivi audio per la riproduzione

ATTENZIONE:

Scollegare l'apparecchio prima di collegare altri dispositivi audio.

- Sono disponibili 2 prese AUX IN. La presa AUX IN 1 è collocata sul pannello frontale, mentre la presa AUX IN 2 si trova nel vano batteria.
- Collegare una sorgente mono o stereo (es. lettore CD, MP3 o iPod) alla presa AUX IN 1 o AUX IN 2 mediante un cavo audio.
- Premere e rilasciare ripetutamente il pulsante Band (banda) fino a visualizzare "AU1" o "AU2" per attivare la funzione AUX.

MANUTENZIONE

ATTENZIONE:

- Evitare assolutamente di usare benzina, diluenti, solventi, alcol o sostanze simili. In caso contrario, potrebbero verificarsi scoloriture, deformazioni o incrinature.

SPECIFICHE

Requisiti di alimentazione

Alimentatore CA	12 V CC, 1 A, pin centrale positivo
Batteria	Batteria a cluster: 7,2 V - 10,8 V Batteria a scorrimento: 10,8 V - 18 V
Copertura di frequenza	FM 87,50 - 108 MHz DAB/DAB+ 174,928 - 239,200 MHz
Blocco canali DAB/DAB+ Standard compatibile	DAB (Band III) 5A-13F DAB (DMR109) DAB/DAB+ (DMR110)

Caratteristiche del circuito

Altoparlante	3 pollici, 8 ohm
Potenza in uscita	7,2 V: 0,5 W × 2 10,8 V: 1,2 W × 2 14,4 V: 2,2 W × 2 18 V: 3,5 W × 2
Terminale d'ingresso	3,5 mm diam. (AUX IN 1/AUX IN 2)
Sistema dell'antenna	DAB/FM: antenna a stelo morbida
Dimensioni (lu × la × al)	280 × 163 × 302

SYMBOLEN

Hieronder staan de symbolen die voor het apparaat worden gebruikt. Zorg ervoor dat u weet wat ze betekenen alvorens het apparaat te gebruiken.



..... Lees de gebruiksaanwijzing.



..... Alleen voor EU-landen
Geef elektrisch gereedschap en accu's niet met het huisvuil mee!
Volgens de Europese richtlijn 2002/96/EC inzake oude elektrische en elektronische apparaten, 2006/66/EC inzake batterijen en accu's en de toepassing daarvan binnen de nationale wetgeving, dienen gebruikt elektrisch gereedschap en accu's gescheiden te worden ingezameld en te worden afgevoerd naar een recyclebedrijf dat voldoet aan de geldende milieu-eisen.



BELANGRIJKE VEILIGHEIDSINSTRUCTIES

WAARSCHUWING:

Tijdens het gebruik van elektrische gereedschappen dienen altijd de basisveiligheidsvoorzorgen te worden genomen om het risico van brand, elektrische schokken en persoonlijk letsel te verkleinen, waaronder de volgende:

1. Lees deze gebruiksaanwijzing en die van de acculader voor gebruik aandachtig door.
2. Reinig uitsluitend met een droge doek.
3. Plaats het apparaat niet in de buurt van een verwarmingsbron, zoals een radiator, warmeluchtrooster, kookplaat of ander apparaat (waaronder een versterker) dat warmte produceert.
4. Sluit uitsluitend andere apparaten of accessoires aan die worden aanbevolen door de fabrikant.
5. Trek de stekker van het apparaat uit het stopcontact in geval van onweer met bliksem en indien het apparaat gedurende een lange tijd niet gaat worden gebruikt.
6. Een draagbare radio met inwendige batterijen of een losse accu mag alleen worden opgeladen met de aanbevolen batterij-/acculader. Een acculader die geschikt is voor een bepaald type accu, kan brandgevaar opleveren indien gebruikt met een ander type accu.
7. Gebruik de draagbare radio uitsluitend met de specifiek daarvoor bedoelde accu's. Door een ander type accu's te gebruiken, kan brandgevaar ontstaan.
8. Als de accu niet wordt gebruikt, houdt u deze uit de buurt van metalen voorwerpen, zoals paperclips, muntgeld, sleutels, schroeven en andere kleine metalen voorwerpen die een kortsluiting kunnen veroorzaken tussen de accupolen. Kortsluiting tussen de accupolen kan vonken, brandwonden of brand veroorzaken.

9. Voorkom lichamelijk contact met geaarde oppervlakken, zoals pijpen, radiatoren, fornuizen en koelkasten. De kans op een elektrische schok is groter wanneer uw lichaam is geaard.
10. Onder zware gebruiksomstandigheden kan vloeistof uit de accu komen. Voorkom aanraking! Als u deze vloeistof per ongeluk aanraakt, wast u dit goed af met water. Als de vloeistof in uw ogen komt, raadpleegt u tevens een arts. Vloeistof uit de accu kan irritatie en brandwonden veroorzaken.
11. De stekker van het NETSNOER moet worden gebruikt om het apparaat los te koppelen en dient altijd goed bereikbaar te zijn.

BEWAAR DEZE INSTRUCTIES

BELANGRIJKE VEILIGHEIDSINSTRUCTIES VOOR ACCU'S

1. Alvorens de accu in gebruik te nemen, leest u eerst alle instructies en waarschuwingsofschriften op (1) de acculader, (2) de accu en (3) het apparaat waarin de accu wordt aangebracht.
2. Haal de accu niet uit elkaar.
3. Als de gebruikstijd aanzienlijk korter is geworden, stopt u onmiddellijk met het gebruik. Anders kan dit leiden tot kans op oververhitting, mogelijke brandwonden en zelfs een explosie.
4. Als de elektrolyt in uw ogen komt, wast u deze uit met schoon water en raadpleegt u onmiddellijk een arts. Dit kan leiden tot verlies van gezichtsvermogen.
5. Sluit de accu niet kort:
 - (1) Raak de accupolen niet aan met enig geleidend materiaal.
 - (2) Bewaar de accu niet op een plaats waar deze in aanraking kan komen met andere metalen voorwerpen, zoals spijkers, munten, enz.
 - (3) Stel de accu niet bloot aan water of regen. Kortsluiting van de accu kan leiden tot een hoge stroomsterkte, oververhitting, mogelijke brandwonden en zelfs een defect.Kortsluiting van de accu kan leiden tot een hoge stroomsterkte, oververhitting, mogelijke brandwonden en zelfs een defect.
6. Bewaar het gereedschap en de accu niet op plaatsen waar de temperatuur kan oplopen tot 50°C of hoger.
7. Werp de accu niet in een vuur, zelfs niet als deze al ernstig beschadigd of helemaal versleten is. De accu kan in een vuur exploderen.
8. Wees voorzichtig dat u de accu niet laat vallen of ergens tegenaan stoot.
9. Gebruik nooit een beschadigde accu.
10. De bijgeleverde lithiumionaccu's zijn onderhevig aan de vereisten in de wetgeving omtrent gevaarlijke stoffen. Voor commercieel transport, bijvoorbeeld door derden of transporteurs, moeten speciale vereisten ten aanzien van de verpakking en etikettering worden nageleefd.

Om het apparaat op transport voor te bereiden is het noodzakelijk een expert op het gebied van gevaarlijke

GEbruIKSTIJd

De onderstaande tabel geeft de gebruiktijd aan bij een volledig opgeladen accu.

Accu capaciteit	Accuspanning				Bij luidsprekeruitgang = 50 mW + 50 mW Eenheid: Uur (ongeveer)
	7,2 V	10,8 V	14,4 V	18 V	
1,0 Ah	BL7010				4,5 uur
1,3 Ah		BL1013			5,5 uur
			BL1415		5,0 uur
				BL1815	6,0 uur
1,5 Ah	BL0715				6,5 uur
		BL1015			8,0 uur
			BL1415N		7,0 uur
				BL1815N	7,5 uur
2,0 Ah		BL1020B		BL1820 BL1820B	10 uur
3,0 Ah			BL1430 BL1430B		11 uur
				BL1830 BL1830B	14 uur
4,0 Ah		BL1040B		BL1840 BL1840B	20 uur
			BL1440		18 uur
5,0 Ah			BL1450		22 uur
				BL1850 BL1850B	25 uur
6,0 Ah			BL1460B		24 uur
				BL1860B	31 uur

: Blokaccu : Schuifaccu

* De gebruiktijd is gebaseerd op gebruik in de functie DAB/DAB+ met een volledig opgeladen accu.

* De gebruiktijd kan variëren afhankelijk van het type accu, de laadtoestand en de gebruiksomstandigheden.

VOORBEREIDINGEN

De schuifaccu aanbrengen en verwijderen (zie afb. 4 t/m 6)

LET OP:

Schakel de radio altijd uit voordat u de accu verwijderd.

- Om de accu aan te brengen, lijnt u de lip op de accu uit met de groef in de behuizing en duwt u de accu op zijn plaats. Steek de accu zo ver mogelijk in het gereedschap tot u een klikgeluid hoort.
- Als u het rode deel aan de bovenkant van de knop kunt zien, is de accu niet goed aangebracht. Breng de accu zo ver mogelijk aan tot het rode deel niet meer zichtbaar is. Als u dit niet doet, kan de accu per ongeluk uit de radio vallen en letsel veroorzaken bij u of anderen in uw omgeving.
- Oefen geen grote kracht uit bij het aanbrengen van de accu. Als de accu niet gemakkelijk erin kan worden geschoven, wordt deze niet goed aangebracht.
- Om de accu te verwijderen, vershuift u de knop aan de voorkant van de accu of drukt u op de knoppen aan beide zijden van de accu, en schuift u tegelijkertijd de accu van de radio af.

Zet de vergrendelhendel van het accuvak terug op zijn oorspronkelijke plaats.

Lager vermogen, vervorming en een "stotterend geluid" zijn tekenen dat de accu moet worden vervangen.

Opmerking:

De accu kan niet worden opgeladen met de bijgeleverde netspanningsadapter.

De blokaccu aanbrengen en verwijderen (zie afb. 7 en 8)

LET OP:

Schakel de radio altijd uit voordat u de accu verwijderd.

- Om de accu te plaatsen, lijnt u de lip op de accu uit met de groef in de behuizing en duwt u de accu op zijn plaats.
- Om de accu te verwijderen, drukt u de knoppen op de zijkant van de accu in en trekt u de accu uit de aansluiting.

Zet de vergrendelhendel van het accuvak terug op zijn oorspronkelijke plaats.

Lager vermogen, vervorming en een "stotterend geluid" zijn tekenen dat de accu moet worden vervangen.













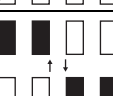
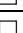

Opmerking:

De accu kan niet worden opgeladen met de bijgeleverde netspanningsadapter.

De resterende acculading controleren (zie afb. 9)

Alleen voor accu's met een "B" aan het einde van het modelnummer

Druk op de testknop op de accu om de resterende accucapaciteit af te lezen. De indicatorlampjes branden gedurende enkele seconden.

Indicatorlampjes			Resterende acculading
 Brandt	 Uit	 Knippert	
			75% tot 100%
			50% tot 75%
			25% tot 50%
			0% tot 25%
			Laad de accu op.
			Er kan een storing in de accu zijn opgetreden.

Opmerking:

- Afhankelijk van de gebruiksomstandigheden en de omgevingstemperatuur, is het mogelijk dat de aangegeven acculading verschilt van de werkelijke acculading.

De flexibele staafantenne aanbrengen (zie afb. 10 en 11)

Plaats de flexibele staafantenne zoals aangegeven in de afbeelding.

Opmerking:

In het accuvak is een klem aangebracht waarin de verwijderde antenne kan worden bewaard.

De bijgeleverde netspanningsadapter gebruiken (zie afb. 12)

Open de rubber beschermdop en sluit de stekker van de netspanningsadapter aan op de gelijkstroomingangs aansluiting op de voorkant van de radio. Steek de netspanningsadapter in een standaard stopcontact. Bij gebruik van de netspanningsadapter wordt de accu automatisch losgekoppeld. De netspanningsadapter moet losgekoppeld zijn van de netvoeding wanneer u deze niet gebruikt.

BEDIENING

Deze radio heeft drie afstemmethoden - automatisch afstemmen, handmatig afstemmen en voorkeurzenders oproepen.

Een zender selecteren – DAB

- Druk op de aan-uitknop om de radio in te schakelen.
- Kies de gewenste DAB-functie door op de Band-knop te drukken.
- Druk op de Advanced-instelknop en draai de Volumeknop/Afstemknop/Keuzeknop totdat "Station List" (Zenderlijst) knippert op het display. Druk op de Volumeknop/Afstemknop/Keuzeknop om de lijst met zenders op te roepen.
- Draai de Volumeknop/Afstemknop/Keuzeknop om de lijst met zenders te doorlopen. Druk op de knop om een zender te selecteren.
- Stel het gewenste volumeniveau in door de Volumeknop/Afstemknop/Keuzeknop te draaien.

Displayweergave – DAB

Uw radio heeft meerdere displayweergavemogelijkheden in de DAB-functie:

Druk op de Info-knop om de diverse mogelijkheden te doorlopen met de volgende letteraanduiding (a. t/m g.).

- Zendernaam Geeft de zendernaam aan waarnaar u luistert.
- Programmatype Geeft het type zender aan waarnaar u luistert. Bijvoorbeeld Pop, Klassiek, Nieuws, enz.
- Multiplexnaam Geeft de naam van de DAB-multiplex aan waartoe de huidige zender behoort.
- Tijd en datum Geeft de huidige tijd en datum aan.
- Frequentie en kanaal Geeft de frequentie en het kanaalnummer aan van de DAB-zender waarop momenteel is afgestemd.
- Bitsnelheid/audiotype Geeft de bitsnelheid van de digitale audio en het audiotype aan van de DAB-zender waarop momenteel is afgestemd.
- Signaalsterkte Geeft de signaalsterkte aan van de DAB-zender waarop momenteel is afgestemd.

Nieuwe zenders zoeken – DAB

Af en toe kunnen nieuwe DAB-zenders beschikbaar komen. Of misschien bent u verhuisd naar een ander deel van het land. In dergelijke gevallen kunt u met uw radio automatisch zoeken naar nieuwe zenders.

Om de radio de beschikbare zenders te kunnen laten vinden, adviseren wij u alle frequenties van de DAB Band III af te zoeken.

- Druk op de Auto Tune-knop.
- Uw radio zoekt alle DAB-frequenties af. Naarmate nieuwe zenders worden gevonden, loopt de zenderteller aan de linkerkant van het display op en worden zenders toegevoegd aan de lijst.

Handmatig afstemmen – DAB

Met handmatig afstemmen kunt u uw radio afstemmen op een bepaalde DAB-frequentie van Band III. Deze functie kan ook worden gebruikt om te helpen bij het positioneren

van de antenne of de radio voor de beste ontvangst van een bepaald kanaal of een bepaalde frequentie.

1. Druk op de Advanced-instelknop en draai de Volumeknop/Afstemknop/Keuzeknop totdat "Manual Tune" (handmatig afstemmen) wordt afgebeeld op het display. Druk op de Volumeknop/Afstemknop/Keuzeknop om de handmatig-afstemfunctie op te roepen.
2. Draai de Volumeknop/Afstemknop/Keuzeknop om het gewenste DAB-kanaal te selecteren. Druk op de Volumeknop/Afstemknop/Keuzeknop om de geselecteerde frequentie vast te leggen.

Zendervolgorde instellen – DAB

Uw radio heeft 3 zendervolgorde-instellingen waaruit u kunt kiezen. De instellingen voor de zendervolgorde zijn alfanumeriek, ensemble en geldige zender.

1. Druk op de Advanced-instelknop.
2. Draai de Volumeknop/Afstemknop/Keuzeknop totdat "Station order" (zendervolgorde) wordt afgebeeld op het display, en druk daarna op de Volumeknop/Afstemknop/Keuzeknop om de instelling op te roepen.
3. Draai de Volumeknop/Afstemknop/Keuzeknop om een van de volgende instellingen te selecteren en druk op de knop om de instelling vast te leggen.

Alfanumeriek	Sorteert de zenderlijst op alfanumerieke volgorde: 0 t/m 9 en A t/m Z
Ensemble	Organiseert de zenderlijst op DAB-multiplex
Geldig	Beeldt alleen die zenders af waarvan een signaal wordt ontvangen

Dynamisch-bereikregeling (DRC) – DAB

De DRC-functie kan zachtere geluiden gemakkelijker verstaanbaar maken wanneer de radio wordt gebruikt in een luidruchtige omgeving door het dynamisch bereik van het geluidssignaal te verkleinen. Er zijn drie compressieniveaus:

DRC 0	Er wordt geen compressie toegepast.
DRC 1/2	Er wordt een gemiddelde compressie toegepast.
DRC 1	Er wordt maximale compressie toegepast.

1. Druk op de aan-uitknop om de radio in te schakelen.
2. Druk op de Band-knop om de DAB-band te selecteren.
3. Druk op de Advanced-instelknop en draai de Volumeknop/Afstemknop/Keuzeknop totdat "DRC Value" (DRC-waarde) wordt afgebeeld op het display. Druk daarna op de Volumeknop/Afstemknop/Keuzeknop om de instelling op te roepen. Het display beeldt de huidige DRC-waarde af.
4. Draai de Volumeknop/Afstemknop/Keuzeknop om de gewenste DRC-instelling te selecteren.
5. Druk daarna op de Volumeknop/Afstemknop/Keuzeknop om de instelling vast te leggen.

Automatisch afstemmen – FM

1. Druk op de aan-uitknop om de radio in te schakelen.
2. Selecteer de gewenste frequentieband door op de Band-knop te drukken. Zorg dat de flexibele staafantenne in de juiste richting is geplaatst voor de beste FM-ontvangst. Probeer te vermijden dat de

radio wordt gebruikt naast een computerscherm of andere apparatuur die storing veroorzaakt op de radio.

3. Druk op de Auto Tune-knop zodat de radio begint te zoeken en automatisch stopt wanneer een radiozender is gevonden. De radio blijft zoeken naar de volgende beschikbare zender tot de gebruiker weer op de Auto Tune-knop drukt om het zoeken te stoppen.
4. Draai de Volumeknop/Afstemknop/Keuzeknop om het gewenste volumeniveau te selecteren. Op het display worden de veranderingen in het volumeniveau afgebeeld.

Opmerking:

Om een gewenste zender te zoeken met behulp van de Volumeknop/Afstemknop/Keuzeknop, houdt u de Volumeknop/Afstemknop/Keuzeknop ingedrukt om over te schakelen naar de afstembediening.

5. Druk op de aan-uitknop om de radio uit te schakelen.

FM-zoekbereik

In de FM-band kan de radio worden ingesteld op het zoeken naar lokale zenders of het zoeken naar alle zenders, inclusief radiozenders op grote afstand.

Handmatig afstemmen – FM

1. Druk op de aan-uitknop om de radio in te schakelen.
 2. Druk op de Band-knop om de gewenste frequentieband te selecteren.
Richt de antenne zoals hierboven beschreven.
 3. Draai de Volumeknop/Afstemknop/Keuzeknop om de frequentie te veranderen met de volgende stapgrootte:
FM: 50 of 100 kHz
- Opmerking:**
Om een gewenste zender te zoeken met behulp van de Volumeknop/Afstemknop/Keuzeknop, houdt u de Volumeknop/Afstemknop/Keuzeknop ingedrukt om over te schakelen naar de afstembediening.
4. Blijf de Volumeknop/Afstemknop/Keuzeknop draaien totdat de gewenste frequentie wordt afgebeeld op het display.
 5. Draai de Volumeknop/Afstemknop/Keuzeknop om het gewenste volumeniveau te selecteren.
 6. Druk op de aan-uitknop om de radio uit te schakelen.

Displayweergave – FM

Uw radio heeft meerdere displayweergavemogelijkheden voor FM-zenders:

Druk herhaaldelijk op de Info-knop om de diverse mogelijkheden te doorlopen.

- a. Zendernaam Geeft de naam aan van de zender waarnaar u luistert.
- b. Radiotekst Geeft een tekstbericht aan, zoals nieuwsberichten, enz.
- c. Programmatype Geeft het type zender aan waarnaar u luistert, bijvoorbeeld Pop, Klassiek, Nieuws, enz.
- d. Tijd en datum Geeft de huidige tijd en datum aan.
- e. Frequentie Geeft de frequentie aan van het FM-signaal.

Zenders opslaan in het voorkeuzendergeheugen (DAB en FM)

Voor elke frequentieband kunnen 5 voorkeuzenders worden opgeslagen.

1. Druk op de aan-uitknop om de radio in te schakelen.
2. Stem op de gewenste zender af door middel van één van de hierboven beschreven methoden.
3. Houd de gewenste voorkeuzenderknop ingedrukt tot het voorkeuzendernummer wordt afgebeeld op het display, bijvoorbeeld "P2 Saved" (P2 opgeslagen). De zender wordt vervolgens opgeslagen onder de geselecteerde voorkeuzenderknop.
4. Herhaal deze procedure voor de overige voorkeuzenderknoppen.
5. Zenders die als voorkeuzender zijn opgeslagen kunnen worden overschreven door de hierboven beschreven procedure opnieuw te volgen.

Zenders oproepen uit het voorkeuzendergeheugen (DAB en FM)

1. Druk op de aan-uitknop om de radio in te schakelen.
2. Druk op de Band-knop om de gewenste frequentieband te selecteren.
3. Druk kort op de gewenste voorkeuzenderknop. Het voorkeuzendernummer en de zenderfrequentie worden afgebeeld op het display.

Taalkeuze (alleen beschikbaar op model DMR110)

Er zijn acht taalkeuzemogelijkheden beschikbaar in de radio: Engels, Duits, Italiaans, Frans, Nederlands, Deens, Noors en Pools.

1. Druk op de Advanced-instelknop.
2. Draai de Volumeknop/Afstemknop/Keuzeknop totdat "Language" (taal) wordt afgebeeld op het display. Druk op de Volumeknop/Afstemknop/Keuzeknop om de instelling op te roepen.
3. Draai de Volumeknop/Afstemknop/Keuzeknop om de gewenste taal te selecteren. Druk daarna op de Volumeknop/Afstemknop/Keuzeknop om de instelling vast te leggen.

Helderheidsregeling

De achtergrondverlichting van het display kan worden ingesteld.

1. Druk op de Advanced-instelknop.
2. Draai de Volumeknop/Afstemknop/Keuzeknop totdat "Backlight" (achtergrondverlichting) wordt afgebeeld op het display. Druk op de Volumeknop/Afstemknop/Keuzeknop om de instelling op te roepen.
3. Draai de Volumeknop/Afstemknop/Keuzeknop om te kiezen tussen het inschakelen en uitschakelen van de achtergrondverlichtingsfunctie, en druk daarna op de Volumeknop/Afstemknop/Keuzeknop om de instelling vast te leggen.

De radio terugstellen

Als de radio niet juist werkt, of enkele tekens op het display geheel of gedeeltelijk ontbreken, voert u de volgende procedure uit.

1. Druk op de Advanced-instelknop.

2. Draai de Volumeknop/Afstemknop/Keuzeknop totdat "Factory Reset" (terugstellen op fabrieksinstellingen) wordt afgebeeld op het display. Druk op de Volumeknop/Afstemknop/Keuzeknop om de instelling op te roepen.
3. Draai de Volumeknop/Afstemknop/Keuzeknop om "Yes" (ja) te selecteren. Druk op de Volumeknop/Afstemknop/Keuzeknop om de instelling vast te leggen, waarna de radio volledig wordt teruggesteld.

Softwareversie

1. Druk op de Advanced-instelknop.
2. Draai de Volumeknop/Afstemknop/Keuzeknop totdat "SW Version" (softwareversie) wordt afgebeeld op het display. Druk op de Volumeknop/Afstemknop/Keuzeknop om de softwareversie die in de radio is geïnstalleerd af te beelden op het display.

Micro-USB-poort voor software-upgrade

In de toekomst komt mogelijk nieuwe software voor uw radio beschikbaar.

Wanneer nieuwe software beschikbaar komt, zal de software en informatie over het installeren ervan op uw radio worden gepubliceerd op de **Makita-website**.

Andere audioapparaten afspelen

⚠ LET OP:

Trek de stekker van het netsnoer van dit apparaat uit het stopcontact voordat u andere audioapparaten aansluit.

- Er zijn 2 AUX IN-aansluitingen. AUX IN 1 bevindt zich op het voorpaneel en AUX IN 2 bevindt zich in het accuvak.
- Sluit een stereo- of monobron (bijv. een iPod, MP3 of cd-speler) met behulp van een audiokabel aan op de AUX IN 1- of AUX IN 2-aansluiting.
- Druk herhaaldelijk op de Band-knop tot "AU1" of "AU2" wordt afgebeeld op het display als teken dat de AUX-functie is geactiveerd.

ONDERHOUD

⚠ LET OP:

- Gebruik nooit benzine, wasbenzine, thinner, alcohol, enz. Dit kan leiden tot verkleuren, vervormen of barsten.

TECHNISCHE GEGEVENS

Voeding

Netspanningsadapter	12 V DC, 1 A, middenpen positief
Accu	Blokaccu: 7,2 V - 10,8 V Schuifaccu: 10,8 V - 18 V
Frequentiebereik	FM 87,50 - 108 MHz DAB/DAB+ 174,928 - 239,200 MHz
DAB/DAB+ Kanaalblokkering	DAB (Band III) 5A-13F
Compatibele norm	DAB (DMR109) DAB/DAB+ (DMR110)

Circuitfunctie

Luidspreker	3 inch, 8 ohm
Uitgangsvermogen	7,2 V: 0,5 W x 2
	10,8 V: 1,2 W x 2
	14,4 V: 2,2 W x 2
	18 V: 3,5 W x 2
Ingangsaansluiting	diameter 3,5 mm (AUX IN1/AUX IN2)
Antennesysteem	DAB/FM: flexibele staafantenne
Afmetingen (l x b x h) in mm	280 x 163 x 302
Gewicht	4,0 kg (zonder accu)

ESPAÑOL (Instrucciones originales)

SÍMBOLOS

Se utilizan los siguientes símbolos para el equipo. Asegúrese de que comprende su significado antes del uso.



..... Lea el manual de instrucciones.



..... Sólo para países de la UE
¡No deseche el aparato eléctrico o la batería junto con los residuos domésticos!



Cd
Ni-MH
Li-ion

De conformidad con la Directiva Europea 2002/96/CE sobre residuos de aparatos eléctricos y electrónicos, 2006/66/CE sobre baterías y acumuladores y el desecho de baterías y acumuladores y su aplicación de acuerdo con la legislación nacional, la herramienta eléctrica y la batería cuya vida útil hayan llegado a su fin se deberán recoger por separado y trasladar a una planta de reciclaje que cumpla con las exigencias ecológicas.

INSTRUCCIONES IMPORTANTES DE SEGURIDAD

ADVERTENCIA:

Cuando se utilicen herramientas eléctricas siempre deben tomarse precauciones de seguridad para reducir el riesgo de incendio, descargas eléctricas y lesiones personales, incluyendo las siguientes:

1. Lea con atención este manual de instrucciones y el manual de instrucciones del cargador antes de su uso.
2. Limpie solamente con un paño seco.
3. No realice la instalación cerca de fuentes de calor como radiadores, rejillas de aire caliente, estufas u otros aparatos (incluyendo amplificadores) que generen calor.
4. Utilice únicamente los complementos y accesorios especificados por el fabricante.
5. Desenchufe este aparato durante tormentas eléctricas o cuando no se utilice durante períodos de tiempo prolongados.
6. Una radio a batería con baterías integrales o un paquete de baterías independiente se debe recargar solamente con el cargador especificado para la batería. Un cargador que puede ser adecuado para un tipo de batería puede crear un riesgo de incendio cuando se usa con otra batería.
7. Utilice la radio a batería únicamente con los paquetes de baterías designados específicamente. El uso de cualquier otra batería puede crear un riesgo de incendio.
8. Cuando no se utilice el paquete de baterías, manténgalo alejado de otros objetos metálicos, como clips de papel, monedas, llaves, clavos, tornillos u otros objetos metálicos pequeños que puedan

- establecer una conexión entre los terminales. El cortocircuito de los terminales de la batería puede provocar chispas, quemaduras o un incendio.
9. Evite el contacto corporal con superficies con conexión a tierra (a masa), tales como tuberías, radiadores, fogones de cocina y frigoríficos. Se corre más riesgo de sufrir una descarga eléctrica si su cuerpo tiene conexión a tierra (a masa).
10. Si no se utiliza correctamente, la batería puede expulsar líquido; evite cualquier contacto con dicho líquido. Si se produce un contacto accidental, enjuague con agua. Si el líquido entra en contacto con los ojos, solicite ayuda médica. El líquido expulsado de la batería puede provocar irritaciones o quemaduras.
11. La clavija de red se utiliza como dispositivo de desconexión y debe ser de fácil acceso.

GUARDE ESTAS INSTRUCCIONES

INSTRUCCIONES DE SEGURIDAD IMPORTANTES RELACIONADAS CON EL CARTUCHO DE LA BATERÍA

1. Antes de utilizar el cartucho de la batería, lea todas las instrucciones y referencias de precaución que se encuentran en (1) el cargador de la batería, (2) la batería y (3) el producto en el que se utiliza la batería.
2. No desmonte el cartucho de la batería.
3. Si el tiempo de funcionamiento es excesivamente corto, deje de utilizar la herramienta de inmediato. De lo contrario, existe el riesgo de sobrecalentamiento, quemaduras e incluso explosión.
4. Si se produce contacto ocular con electrolito, enjuáguese los ojos con agua limpia y acuda de urgencia al médico. Corre el riesgo de perder la visión.
5. No cortocircuite el cartucho de la batería:
 - (1) No toque los terminales con un material conductor.
 - (2) Evite guardar el cartucho de la batería en un recipiente con otros objetos metálicos, como clavos, monedas, etc.
 - (3) No exponga el cartucho de la batería al agua o a la lluvia. Un cortocircuito puede provocar un elevado flujo de corriente, sobrecalentamiento, quemaduras o incluso una avería.Un cortocircuito puede provocar un elevado flujo de corriente, sobrecalentamiento, quemaduras o incluso una avería.
6. No almacene la herramienta ni el cartucho de la batería en lugares donde la temperatura supere los 50 °C (122 °F).
7. No queme el cartucho de la batería aunque esté gravemente dañado o completamente gastado. El cartucho de la batería puede explotar si entra en contacto con fuego.
8. Procure que la batería no sufra golpes ni caídas.
9. No utilice una batería dañada.
10. Las baterías de litio-ión están sujetas a los requisitos de la legislación sobre mercancías peligrosas. Para

transportes comerciales, p. ej., terceros, transportistas, se deben respetar los requisitos especiales sobre embalajes y etiquetado. Para preparar el elemento para su transporte, debe consultarse con un experto en materiales peligrosos. Respete también cualquier posible normativa nacional.

Tape o cubra con cinta adhesiva los contactos abiertos y empaquete la batería de forma que no se pueda mover dentro del embalaje.

11. Respete las normas locales relativas al desecho de la batería.

GUARDE ESTAS INSTRUCCIONES.

⚠ PRECAUCIÓN: Utilice solo baterías genuinas de Makita. El uso de baterías no genuinas de Makita o baterías que se han modificado puede provocar una explosión de la batería y un incendio, lesiones personales y daños. También se invalidará la garantía de Makita para la herramienta y el cargador de Makita.

Consejos para conseguir una mayor duración de la batería

1. Cargue la batería antes de que se descargue por completo. Siempre debe dejar de utilizar la herramienta y cargar el cartucho de la batería cuando observe que tiene menos potencia.
2. No recargue nunca un cartucho de la batería completamente cargado. La sobrecarga acorta la vida útil de la batería.
3. Cargue el cartucho de la batería a una temperatura ambiente de 10 °C - 40 °C (50 °F - 104 °F). Antes de cargar un cartucho de la batería caliente, deje que se enfríe.
4. Cargue el cartucho de la batería si no lo ha utilizado durante un período prolongado (más de seis meses).

EXPLICACIÓN DE LA VISTA GENERAL (Fig. 1 - 12)

1. Botón de encendido
2. Botón de banda
3. Botón de configuración avanzada
4. Botón de información
5. Botones de presintonías
6. Botón de sintonización automática
7. Mando de volumen/control de sintonización/selección
8. Enchufe de entrada de CC
9. ENTRADA AUX 1
10. Pantalla LCD
11. Antena de varilla flexible
12. Asidero
13. Cubierta del compartimento de las baterías (cubre el cartucho de la batería)
14. Altavoz
15. Cierre del compartimento de las baterías
16. Terminal de entrada (ENTRADA AUX 2)
17. Puerto micro USB para actualización de software
18. Compartimento de las baterías

19. Indicador rojo
20. Botón
21. Cartucho de la batería
22. Luces indicadoras
23. Botón de comprobación


CARACTERÍSTICAS

- FM/DAB (DMR109)
- FM/DAB o DAB+ (DMR110)
- Gran pantalla LCD con iluminación
- Sintonización manual/Presintonía/Escaneado
- Control rotativo de sintonización y de volumen
- 5 presintonías de emisora para cada banda
- Puerto micro USB para actualización de software
- Altavoz estéreo con un excelente rendimiento de sonido
- Diseño extra resistente
- Resistente al agua hasta IP64
- Alimentación por paquete de baterías Makita o mediante el adaptador de alimentación de corriente alterna incluido

TIEMPO DE FUNCIONAMIENTO

En la siguiente tabla se indica el tiempo de funcionamiento con una batería totalmente cargada.

Capacidad de la batería	Tensión del cartucho de la batería				En la salida del altavoz = 50 mW + 50 mW Unidad: Hora (aproximadamente)
	7,2 V	10,8 V	14,4 V	18 V	
1,0 Ah	BL7010				4,5 horas
1,3 Ah		BL1013			5,5 horas
			BL1415		5,0 horas
				BL1815	6,0 horas
1,5 Ah	BL0715				6,5 horas
		BL1015			8,0 horas
			BL1415N		7,0 horas
				BL1815N	7,5 horas
2,0 Ah		BL1020B		BL1820 BL1820B	10 horas
3,0 Ah			BL1430 BL1430B		11 horas
				BL1830 BL1830B	14 horas
4,0 Ah		BL1040B		BL1840 BL1840B	20 horas
			BL1440		18 horas
5,0 Ah			BL1450		22 horas
				BL1850 BL1850B	25 horas
6,0 Ah			BL1460B		24 horas
				BL1860B	31 horas

: Batería de clúster : Batería deslizante

* El tiempo de funcionamiento se basa en el funcionamiento en DAB/DAB+ con una sola carga.

* El tiempo de funcionamiento puede diferir en función del tipo de batería, el estado de carga y la condición de uso.

INSTALACIÓN

Instalación o extracción del cartucho de la batería deslizante (Fig. 4 - 6)

PRECAUCIÓN:

Apague siempre la radio antes de extraer el cartucho de la batería.

- Para instalar el cartucho de la batería, alinee la lengüeta situada en el cartucho de la batería con la ranura del chasis e insértelo. Insértelo completamente hasta que quede firmemente encajado con un clic.
- Si puede ver el indicador rojo de la zona superior del botón, significa que el cartucho no está encajado completamente. Instálelo completamente hasta que el indicador rojo no esté visible. De lo contrario, el cartucho puede desprenderse accidentalmente de la radio y causar lesiones al operario o a alguna persona que se encuentre cerca.
- No haga fuerza al instalar el cartucho de la batería. Si el cartucho no entra con suavidad, significa que no lo está instalando correctamente.
- Para quitar el cartucho de la batería, mantenga pulsado el botón de la parte frontal del cartucho y retírelo de la radio o pulse los botones de ambos lados del cartucho.

Vuelva a colocar el cierre del compartimento de las baterías en la posición original.

La disminución de potencia, la distorsión y un “sonido inestable” son algunos de los síntomas que indican que la batería se debe reemplazar.

Nota:

El paquete de baterías no se puede cargar mediante el adaptador de alimentación CA suministrado.

Instalación o extracción del cartucho de la batería de clúster (Fig. 7 y 8)

PRECAUCIÓN:

Apague siempre la radio antes de extraer el cartucho de la batería.

- Para insertar el cartucho de la batería, alinee la lengüeta situada en el cartucho de la batería con la ranura del alojamiento e insértela.
- Para quitar el cartucho de la batería, extraiga la batería del terminal mientras presiona los botones del lateral del cartucho.

Vuelva a colocar el cierre del compartimento de las baterías en la posición original.

La disminución de potencia, la distorsión y un “sonido inestable” son algunos de los síntomas que indican que la batería se debe reemplazar.















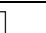



Nota:

El paquete de baterías no se puede cargar mediante el adaptador de alimentación CA suministrado.

Indicación de la capacidad restante de la batería (Fig. 9)

Solo para cartuchos de la batería con "B" al final del número de modelo

Pulse el botón de comprobación del cartucho de la batería para indicar la capacidad restante de la batería. Las luces indicadoras se encienden durante unos segundos.

Luces indicadoras			Capacidad restante
			
			75% a 100%
			50% a 75%
			25% a 50%
			0% a 25%
			Cargue la batería.
			Es posible que la batería se haya averiado.
			

Nota:

- En función de las condiciones de uso y de la temperatura ambiente, la indicación puede diferir ligeramente de la capacidad real.

Instalación de la antena de varilla flexible (Fig. 10 y 11)

Instale la antena de varilla flexible tal y como se muestra en la figura.

Nota:

Hay un espacio en el compartimento de las baterías diseñado para almacenar la antena extraída.

Uso del adaptador de CA suministrado (Fig. 12)

Retire el protector de goma e inserte el enchufe adaptador en el conector de CC de la parte delantera de la radio. Enchufe el adaptador en una toma de corriente estándar de la red de alimentación. Siempre que se utilice el adaptador, el paquete de baterías se desconectará automáticamente. El adaptador de CA se debe desconectar de la red eléctrica cuando no se utilice.

FUNCIONAMIENTO

Esta radio dispone de tres sistemas de sintonización: escaneado, manual y recuperación de presintonías en memoria.

Selección de una emisora – DAB

- Pulse el botón de encendido para encender la radio.
- Seleccione el modo DAB que desee pulsando el botón de banda.
- Pulse el botón de configuración avanzada y gire el mando de volumen/control de sintonización/selección hasta que "Station List" (Lista de emisoras) parpadee en la pantalla. Pulse el mando de volumen/control de sintonización/selección para seleccionar en la lista de emisoras.
- Gire el mando de volumen/control de sintonización/selección para desplazarse por la lista de emisoras disponibles. Pulse el mando para seleccionar una emisora.
- Ajuste el volumen que desee girando el mando de volumen/control de sintonización/selección.

Modos de visualización – DAB

La radio tiene diferentes opciones de visualización en el modo DAB:

Pulse el botón de información para cambiar entre las distintas opciones correspondientes a las siguientes letras (a. - g.).

- Station name (Nombre de la emisora)
Indica el nombre de la emisora que se está escuchando.
- Program type (Tipo de programa)
Indica el tipo de emisora que se está escuchando. P. ej. Pop, Clásica, Noticias, etc.
- Multiplex name (Nombre multiplex)
Indica el nombre del multiplex DAB al que pertenece la emisora actual.
- Time & date (Fecha y hora)
Indica la hora y la fecha actuales.
- Frequency and channel (Frecuencia y canal)
Indica el número de frecuencia y de canal de la emisora DAB actualmente sintonizada.
- Bit rate/Audio type (Velocidad de bits/Tipo de audio)
Indica la velocidad de bits de audio digital y el tipo de audio de la emisora DAB actualmente sintonizada.
- Signal strength (Intensidad de la señal)
Indica la intensidad de señal de la emisora DAB actualmente sintonizada.

Búsqueda de nuevas emisoras – DAB

De vez en cuando se crean nuevas emisoras de radio DAB. O puede que deba trasladarse a otra parte del país. En ambos casos, deberá configurar la radio para que detecte nuevas emisoras.

Para que la radio pueda encontrar todas las emisoras disponibles, se recomienda realizar un escaneado completo de todas las frecuencias DAB en la banda III.

- Pulse el botón de sintonización automática.
- La radio realizará un escaneado completo de las frecuencias DAB. A medida que se encuentren emisoras nuevas, el contador de emisoras del lado izquierdo de la pantalla irá aumentando y las emisoras se añadirán a la lista.

Sintonización manual – DAB

La sintonización manual permite sintonizar la radio en una frecuencia DAB determinada en la banda III. Esta función también se puede usar para ayudar a orientar la antena o la radio a fin de optimizar la recepción de un canal o frecuencia específicos.

1. Pulse el botón de configuración avanzada y gire el mando de volumen/control de sintonización/selección hasta que "Manual Tune" (Sintonización manual) aparezca en la pantalla. Pulse el mando de volumen/control de sintonización/selección para entrar en el modo de sintonización manual.
2. Gire el mando de volumen/control de sintonización/selección para seleccionar el canal DAB que desee. Pulse el mando de volumen/control de sintonización/selección para confirmar la frecuencia elegida.

Configuración del orden de las emisoras – DAB

La radio cuenta con 3 ajustes que puede seleccionar para ordenar las emisoras. Los ajustes de orden permiten organizar las emisoras alfanuméricamente (Alphanumeric), por multiplex DAB (Ensemble) y por señal válida (Valid).

1. Pulse el botón de configuración avanzada.
2. Gire el mando de volumen/control de sintonización/selección hasta que "Station order" (Orden de las emisoras) aparezca en pantalla y, a continuación, pulse de nuevo el mando de volumen/control de sintonización/selección para seleccionar el ajuste.
3. Gire el mando de volumen/control de sintonización/selección para seleccionar las siguientes opciones y púselo para confirmar el ajuste.

Alphanumeric (Alfanuméricamente)

Ordena la lista de emisoras alfanuméricamente 0...9 A...Z

Ensemble (por multiplex DAB)

Organiza la lista de emisoras por multiplex DAB

Valid (Señal válida)

Muestra solo las emisoras para las que se puede encontrar una señal

Control de gama dinámica (DRC) – DAB

La característica DRC permite que los sonidos más tenues sean audibles cuando la radio se utiliza en un entorno ruidoso, ya que reduce el rango dinámico de la señal de audio. Hay tres niveles de compresión:

DRC 0	No se aplica ninguna compresión.
DRC 1/2	Se aplica una compresión media.
DRC 1	Se aplica la compresión máxima.

1. Pulse el botón de encendido para encender la radio.
2. Pulse el botón de banda para seleccionar la banda DAB.
3. Pulse el botón de configuración avanzada y gire el mando de volumen/control de sintonización/selección hasta que "DRC Value" (Valor DRC) aparezca en la pantalla. A continuación, pulse el mando de volumen/control de sintonización/selección para introducir el ajuste. La pantalla mostrará el valor DRC actual.
4. Gire el mando de volumen/control de sintonización/selección para seleccionar el ajuste DRC que desee.

5. Pulse el mando de volumen/control de sintonización/selección para confirmar el ajuste.

Escaneado – FM

1. Pulse el botón de encendido para encender la radio.
2. Seleccione la banda de ondas que desee pulsando el botón de banda. Para lograr la mejor recepción de FM, asegúrese de que la antena de varilla flexible esté bien colocada. Evite usar la radio cerca de una pantalla de ordenador y otros equipos que puedan causar interferencias en la radio.
3. Pulse el botón de sintonización automática. La radio buscará y se detendrá automáticamente cuando encuentre una emisora de radio. La radio seguirá buscando la siguiente emisora disponible a menos que el operario pulse el botón de sintonización automática para detener el escaneado.
4. Gire el mando de volumen/control de sintonización/selección para obtener el nivel de sonido que desee. La pantalla LCD mostrará los cambios de nivel de sonido.
Nota:
Para usar el mando de volumen/control de sintonización/selección a fin de encontrar la emisora que desee, mantenga pulsado el mando de volumen/control de sintonización/selección para cambiar al modo de control de sintonización.
5. Para apagar la radio, pulse el botón de encendido.

Zona de escaneo FM

Cuando se utiliza el modo FM, la radio puede configurarse para escanear las emisoras locales o todas las emisoras, incluidas las que se encuentran a mucha distancia.

Sintonización manual – FM

1. Pulse el botón de encendido para encender la radio.
2. Pulse el botón de banda para seleccionar la banda de onda que desee. Ajuste la antena tal y como se ha descrito anteriormente.
3. Al girar el mando de volumen/control de sintonización/selección la frecuencia cambiará en los incrementos siguientes:
FM: 50 o 100 kHz
Nota:
Para usar el mando de volumen/control de sintonización/selección a fin de encontrar la emisora que desee, mantenga pulsado el mando de volumen/control de sintonización/selección para cambiar al modo de control de sintonización.
4. Siga girando el mando de volumen/control de sintonización/selección hasta que se muestre en pantalla la frecuencia que desee.
5. Gire el mando de volumen/control de sintonización/selección para obtener el nivel de sonido que desee.
6. Para apagar la radio, pulse el botón de encendido.

Modos de visualización – FM

La radio tiene diferentes opciones de visualización para el modo de radio FM:
Pulse repetidamente el botón de información para cambiar entre las diferentes opciones.

- a. Program station (Emisora de programa)
Indica el nombre de la emisora que se está escuchando.
- c. Radio text (Texto de radio)
Indica un mensaje de texto, tales como nuevos elementos, etc.
- c. Program type (Tipo de programa)
Indica el tipo de emisora que se está escuchando, por ejemplo, Pop, Clásica, News (Pop, Clásica, Noticias), etc.
- d. Time & date (Fecha y hora)
Indica la hora y la fecha actuales.
- e. Frequency (Frecuencia)
Indica la frecuencia de la señal FM.

Almacenamiento de emisoras en presintonías (DAB y FM)

- Existen 5 presintonías para cada banda de frecuencia.
1. Pulse el botón de encendido para encender la radio.
 2. Sintone la emisora que desee mediante uno de los métodos descritos previamente.
 3. Mantenga pulsado el botón de presintonía que desee hasta que el número de la presintonía aparezca en la pantalla, por ejemplo, "P2 Saved" (P2 guardado). La emisora se guarda en el botón de presintonía seleccionada.
 4. Repita este procedimiento para las presintonías restantes.
 5. Las emisoras guardadas en presintonías en memoria se pueden sobrescribir mediante los procedimientos anteriores.

Recuperación de emisoras en presintonías (DAB y FM)

1. Pulse el botón de encendido para encender la radio.
2. Pulse el botón de banda para seleccionar la banda de onda que desee.
3. Pulse el botón de presintonía que desee momentáneamente. El número de presintonía y la frecuencia de la emisora aparecerán en la pantalla.

Opciones de idioma (solo disponible en el modelo DMR110)

La radio dispone de ocho opciones de idioma: Inglés, alemán, italiano, francés, neerlandés, danés, noruego y polaco.

1. Pulse el botón de configuración avanzada.
2. Gire el mando de volumen/control de sintonización/selección hasta que se muestre en pantalla "Language" (Idioma). Pulse el mando de volumen/control de sintonización/selección para seleccionar el ajuste.
3. Gire el mando de volumen/control de sintonización/selección para elegir el idioma que desee. Pulse el mando de volumen/control de sintonización/selección para confirmar el ajuste.

Control del brillo

La luz de fondo de la pantalla se puede ajustar.

1. Pulse el botón de configuración avanzada.

2. Gire el mando de volumen/control de sintonización/selección hasta que se muestre en pantalla "Backlight" (Luz de fondo). Pulse el mando de volumen/control de sintonización/selección para seleccionar el ajuste.
3. Gire el mando de volumen/control de sintonización/selección para activar o desactivar la función de luz de fondo y, a continuación, pulse el mando de volumen/control de sintonización/selección para confirmar el ajuste.

Reinicialización del sistema

Si la radio no funciona correctamente, o si faltan algunos dígitos de la pantalla o están incompletos, siga este procedimiento.

1. Pulse el botón de configuración avanzada.
2. Gire el mando de volumen/control de sintonización/selección hasta que se muestre en pantalla "Factory Reset" (Restablecimiento de valor de fábrica). Pulse el mando de volumen/control de sintonización/selección para seleccionar el ajuste.
3. Gire el mando de volumen/control de sintonización/selección para elegir "Yes" (Sí). Pulse el mando de volumen/control de sintonización/selección para confirmar el ajuste. Se realizará una reinicialización completa.

Versión de software

1. Pulse el botón de configuración avanzada.
2. Gire el mando de volumen/control de sintonización/selección hasta que se muestre en pantalla "SW Version" (Versión de software). Pulse el mando de volumen/control de sintonización/selección para ver la versión de software instalada en la radio.

Puerto micro USB para actualización de software

En un futuro es posible que haya disponibles actualizaciones de software.

A medida que las actualizaciones de software vayan estando disponibles, en el **sitio web de Makita** encontrará el software y la información necesaria para actualizar la radio.

Reproducción de otros tipos de audio

PRECAUCIÓN:

Desenchufe este aparato antes de conectar otros tipos de audio.

- Hay 2 tomas de entrada AUX. La entrada AUX 1 está ubicada en el panel frontal, mientras que la entrada AUX 2 se encuentra en el compartimiento de las baterías.
- Conecte una fuente estéreo o mono (por ejemplo, un reproductor de CD, iPod, o MP3) a la entrada AUX 1 o AUX 2 mediante un cable de audio.
- Pulse y suelte repetidamente el botón de banda hasta que se muestre "AU1" o "AU2". Esto indica que la función AUX está activada.

MANTENIMIENTO

PRECAUCIÓN:

- Nunca utilice gasolina, benceno, disolvente, alcohol o un producto similar. Se puede provocar una decoloración, una deformación o grietas.

ESPECIFICACIONES

Requisitos de alimentación

Adaptador de alimentación CA	12 V CC 1A, clavija central positiva
Batería	Batería de clúster: 7,2 V - 10,8 V Batería deslizante: 10,8 V - 18 V
Cobertura de frecuencias	FM 87,50 - 108 MHz DAB/DAB+ 174,928 - 239,200 MHz
Bloque de canales DAB/DAB+	DAB (Banda III) 5A-13F
Estándar compatible	DAB (DMR109) DAB/DAB+ (DMR110)

Característica del circuito

Altavoz	3 pulgadas 8 ohmios
Alimentación de salida	7,2 V: 0,5 W x 2 10,8 V: 1,2 W x 2 14,4 V: 2,2 W x 2 18 V: 3,5 W x 2
Terminal de entrada	3,5 mm diámetro (ENTRADA AUX 1/ ENTRADA AUX 2)
Sistema de antena	DAB/FM: antena de varilla flexible
Dimensiones (Largo x Ancho x Alto) en mm	280 x 163 x 302
Peso	4,0 kg (sin batería)

PORTUGUÊS (Instruções de origem)

SÍMBOLOS

Descrição dos símbolos utilizados no equipamento. Certifique-se de que compreende os seus significados, antes da utilização.



..... Leia o manual de instruções.



..... Apenas para países da UE
Não deite equipamentos eléctricos ou a bateria no lixo doméstico!



De acordo com a directiva europeia 2002/96/EC sobre ferramentas eléctricas e electrónicas usadas, a directiva 2006/66/EC sobre baterias, acumuladores e baterias usadas e a sua aplicação em conformidade com as leis nacionais, as ferramentas eléctricas e as baterias usadas devem ser recolhidas em separado e encaminhadas para uma instalação de reciclagem dos materiais ecológicos.

INSTRUÇÕES DE SEGURANÇA IMPORTANTES

⚠ AVISO:

Ao utilizar ferramentas eléctricas, devem ser sempre cumpridas as precauções de segurança básicas, de forma a reduzir o risco de incêndios, choques eléctricos e ferimentos, incluindo as que se seguem:

1. Leia atentamente este manual de instruções e o manual de instruções do carregador antes da utilização.
2. Limpe apenas com um pano seco.
3. Não instale próximo de fontes de calor como radiadores, bocas de ar quente, fornos ou outros aparelhos (incluindo amplificadores) que produzem calor.
4. Utilize apenas acessórios especificados pelo fabricante.
5. Desligue este aparelho durante trovoadas ou quando não o utilizar durante longos períodos de tempo.
6. Um rádio a bateria com bateria integrada ou uma bateria separada tem de ser recarregado apenas com o carregador especificado para a bateria. Um carregador que pode ser adequado para um tipo de bateria pode criar um risco de incêndio quando utilizado com outra bateria.
7. Utilize o rádio a bateria apenas com baterias especificamente concebidas. A utilização de qualquer outra bateria pode criar um risco de incêndio.
8. Quando a bateria não estiver a ser utilizada, mantenha-a afastada de objetos metálicos como, por exemplo, cliques, moedas, chaves, pregos, parafusos ou outros pequenos objetos metálicos que possam fazer a ligação entre terminais. Provocar um curto-circuito nos terminais da bateria pode causar faíscas, queimaduras ou um incêndio.

9. Evite contacto corporal com superfícies ligadas à terra, tais como tubos, radiadores, aquecedores e frigoríficos. Existe um risco acrescido de choques eléctricos caso o seu corpo esteja ligado à terra.
10. Sob condições abusivas, poderá ser ejetado líquido da bateria; evite o contacto. Se ocorrer acidentalmente um contacto, lave com água. Se o líquido entrar em contacto com os olhos, consulte um médico. O líquido ejetado da bateria pode causar irritação ou queimaduras.
11. A ficha de ALIMENTAÇÃO é utilizada como o dispositivo para desligar, e deve permanecer prontamente operável.

GUARDE ESTAS INSTRUÇÕES

INSTRUÇÕES IMPORTANTES DE SEGURANÇA PARA A BATERIA

1. Antes de utilizar a bateria, leia as instruções e chamadas de atenção de: (1) o carregador da bateria, (2) a bateria e (3) o produto que utiliza a bateria.
2. Não desmonte a bateria.
3. Se o tempo de utilização com a bateria se tornar demasiado curto, deve parar imediatamente. Se continuar, pode causar sobreaquecimento, incêndio e mesmo explosão.
4. Se o eletrólito entrar em contacto com os olhos, enxágue-os com água limpa e consulte imediatamente um médico. Os riscos incluem perda de visão.
5. Não provoque um curto-circuito na bateria:
 - (1) Não deixe que quaisquer materiais condutores entrem em contacto com os terminais da bateria.
 - (2) Evite guardar a bateria juntamente com outros objetos de metal como moedas, por exemplo.
 - (3) Não exponha a bateria a água ou chuva. Um curto-circuito na bateria pode criar uma grande carga eléctrica, sobreaquecimento, fogo e uma quebra da corrente.Um curto-circuito na bateria pode criar uma grande carga eléctrica, sobreaquecimento, fogo e uma quebra da corrente.
6. Não guarde a ferramenta e a bateria em locais onde a temperatura possa atingir ou exceder 50°C.
7. Não incinere a bateria, nem mesmo se esta estiver irremediavelmente danificada ou completamente gasta. Pode explodir e causar um incêndio.
8. Não a deixe cair e evite o choque com outros objetos.
9. Não utilize uma bateria danificada.
10. As baterias de íões de lítio estão sujeitas aos requisitos da legislação para mercadorias perigosas. Para transportes comerciais, por exemplo, por terceiros ou despachantes, é necessário cumprir requisitos especiais na embalagem e etiquetagem. Para a preparação do item a enviar, é necessário consultar um especialista em materiais perigosos. Cumpra também os regulamentos nacionais mais detalhados.
Proteja os contactos abertos e embale a bateria de forma que não se possa mover dentro da embalagem.

11. Siga os regulamentos locais relativamente à eliminação da bateria.

GUARDE ESTAS INSTRUÇÕES.

⚠️ PRECAUÇÃO: Utilize apenas baterias genuínas da Makita. A utilização de baterias não genuínas da Makita ou baterias que foram alteradas, pode resultar no reventamento da bateria causando incêndios, ferimentos pessoais e danos. Também vai anular a garantia da Makita para a ferramenta e carregador da Makita.

Sugestões para o máximo de tempo de vida da bateria

1. Não espere que a bateria se gaste completamente para voltar a carregá-la.
Pare a ferramenta e carregue a bateria sempre que detetar um baixo nível de energia.
2. Nunca volte a carregar uma bateria já completamente carregada.
O carregamento excessivo diminui o tempo de vida das baterias.
3. Carregue a bateria com uma temperatura ambiente entre 10°C - 40°C. Se a bateria estiver quente, deixe-a arrefecer antes de iniciar o carregamento.
4. Carregue a bateria em caso de inatividade durante um longo período de tempo (mais de seis meses).

EXPLICAÇÃO DA VISTA GERAL (Fig. 1 - 12)

1. Botão de alimentação
2. Botão de banda
3. Botão de definição avançada
4. Botão de informação
5. Botão de memorização
6. Botão de sintonização automática
7. Manipulo de Volume/Comando Sintonização/Seletor
8. Tomada de entrada de CC
9. AUX IN 1
10. Visor LCD
11. Antena flexível de haste regulável
12. Pega
13. Tapa de compartimento da bateria (cobre a bateria)
14. Altifalante
15. Bloqueio do compartimento da bateria
16. Terminal de entrada (AUX IN 2)
17. Porta Micro USB para atualização do software
18. Compartimento da bateria
19. Indicador vermelho
20. Botão
21. Bateria
22. Lâmpadas indicadoras
23. Botão de verificação

FUNCIONALIDADES

- FM/DAB (DMR109)
- FM/DAB ou DAB+ (DMR110)
- Visor LCD grande, com iluminação
- Manual/Predefinir/Pesquisa de sintonia
- Sintonia rotativa e controlo de volume
- 5 estações predefinidas para cada banda

- Porta Micro USB para atualização do software
- Altifalante estéreo, de altíssimo desempenho em áudio
- Design robusto
- Resistente à água IP64
- Alimentado por baterias Makita e adaptador de alimentação fornecido

TEMPO DE FUNCIONAMENTO

As tabelas seguintes indicam o tempo de funcionamento com uma bateria totalmente carregada.

Capacidade da bateria	Tensão da bateria				Na saída do altifalante = 50 mW + 50 mW Unidade: Hora (Aproximadamente)
	7,2 V	10,8 V	14,4 V	18 V	
1,0 Ah	BL7010				4,5 horas
1,3 Ah		BL1013			5,5 horas
			BL1415		5,0 horas
				BL1815	6,0 horas
1,5 Ah	BL0715				6,5 horas
		BL1015			8,0 horas
			BL1415N		7,0 horas
				BL1815N	7,5 horas
2,0 Ah		BL1020B		BL1820 BL1820B	10 horas
3,0 Ah			BL1430 BL1430B		11 horas
				BL1830 BL1830B	14 horas
4,0 Ah		BL1040B		BL1840 BL1840B	20 horas
			BL1440		18 horas
5,0 Ah			BL1450		22 horas
				BL1850 BL1850B	25 horas
6,0 Ah			BL1460B		24 horas
				BL1860B	31 horas

 : Bateria de grupo  : Bateria de deslize

* O tempo de funcionamento baseia-se no funcionamento em DAB/DAB+ numa única carga.

* O tempo de funcionamento pode variar, dependendo do tipo de bateria, do estado de carregamento e da condição de utilização.

INSTALAÇÃO

Instalar ou retirar a bateria de deslize (Fig. 4 - 6)

PRECAUÇÃO:

Desligue sempre o rádio antes de retirar a bateria.

- Para colocar a bateria, alinhe a respetiva saliência com a calha do compartimento e encaixe-a suavemente. Inspira-a completamente até fixar em posição com um clique.
- Se ainda estiver visível o indicador vermelho na parte superior do botão, não estará bem encaixado. Coloque-a completamente, até deixar de ver o indicador vermelho. Caso contrário, pode cair do rádio e causar ferimentos em si, ou em alguém que esteja perto de si.
- Não exerça força ao colocar a bateria. Se não encaixar facilmente é porque não está corretamente posicionada.
- Para retirar a bateria, deslize-a do rádio ao mesmo tempo que desliza o botão na parte frontal do cartucho ou ao mesmo tempo que prime os botões em ambos os lados do cartucho.

Coloque o bloqueio do compartimento da bateria na posição original.

Alimentação reduzida, distorção e um "som intermitente" são sinais de que a bateria precisa de ser substituída.

Nota:

A bateria não pode ser carregada com o adaptador de alimentação CA.

Instalar ou retirar a bateria de grupo (Fig. 7 & 8)

PRECAUÇÃO:

Desligue sempre o rádio antes de retirar a bateria.

- Para colocar a bateria, alinhe a respetiva saliência com a calha do compartimento e encaixe-a suavemente.
- Para retirar a bateria, retire-a do terminal e, ao mesmo tempo, prima os botões na parte lateral da mesma.

Coloque o bloqueio do compartimento da bateria na posição original.

Alimentação reduzida, distorção e um "som intermitente" são sinais de que a bateria precisa de ser substituída.







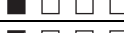




Nota:

A bateria não pode ser carregada com o adaptador de alimentação CA.

Indicar a capacidade restante da bateria (Fig. 9)

Apenas para baterias com “B” no final do número de modelo

Prima o botão de verificação na bateria para indicar a carga restante da bateria. As lâmpadas indicadoras acendem-se durante alguns segundos.

Lâmpadas indicadoras			Carga restante
 Acesa	 Apagada	 Intermitente	
			75% a 100%
			50% a 75%
			25% a 50%
			0% a 25%
			Carregue a bateria.
			A bateria pode ter avariado.

Nota:

- Consoante as condições de utilização e a temperatura ambiente, a indicação pode ser ligeiramente diferente da carga real.

Instalação de antena flexível de haste regulável (Fig. 10 & 11)

Instale a antena flexível de haste regulável, conforme indicado na figura.

Nota:

Existe um encaixe no compartimento da bateria concebido para armazenar a antena removida.

Utilizar o adaptador de alimentação CA fornecido (Fig. 12)

Remova o protetor de borracha e coloque a ficha do adaptador na tomada CC que se encontra na parte frontal do rádio. Ligue o adaptador a uma tomada de alimentação normal. Sempre que o adaptador é usado, a bateria é automaticamente desligada. O adaptador CA deve ser desligado da fonte de alimentação quando não estiver a ser utilizado.

FUNIONAMENTO

Este rádio tem três métodos de sintonia – pesquisa de sintonia, sintonia manual e chamada de pré-sintonias de memória.

Selecionar uma estação – DAB

- Prima o botão de alimentação para ligar o rádio.
- Selecione o modo DAB premindo o botão de banda.

- Prima o botão de definição avançada e rode o manípulo de Volume/Comando Sintonização/Seleto até que a indicação “Station List” (Lista de estações) seja apresentada intermitentemente no ecrã. Prima o manípulo de Volume/Comando Sintonização/Seleto para entrar na lista de estações.
- Rode o manípulo de Volume/Comando Sintonização/Seleto para percorrer a lista de estações disponíveis. Prima o manípulo para selecionar a estação.
- Ajuste o volume pretendido rodando o manípulo de Volume/Comando Sintonização/Seleto.

Modos de apresentação - DAB

O rádio tem uma gama de opções de apresentação no modo DAB:

Prima o botão de informação para percorrer as várias opções apresentadas nas letras que se seguem (a. a g.).

- Station name (Nome da estação)
Indica o nome da estação que está a ouvir.
- Program station (Tipo de estação)
Indica o tipo de estação que está a ouvir. Por exemplo, Pop, Clássicos, Notícias, etc.
- Multiplex name (Nome do multiplex)
Indica o nome do multiplex DAB a que pertence a estação atual.
- Time & date (Hora e data)
Indica a hora e data atuais.
- Frequency and channel (Frequência e canal)
Indica a frequência e o número do canal para a estação DAB atualmente sintonizada.
- Bit rate/Audio type (Taxa de bits/Tipo de áudio)
Indica a taxa de bits de áudio digital e o tipo de áudio para a estação DAB atualmente sintonizada.
- Signal strength (Força do sinal)
Indica a força do sinal para a estação DAB atualmente sintonizada.

Encontrar novas estações – DAB

De vez em quando, podem ser disponibilizadas novas estações de rádio DAB. Ou pode mudar-se para outra região do país. Neste caso, pode ter de ativar o rádio para pesquisar novas estações.

Para que o rádio encontre as estações disponíveis, é recomendável realizar uma pesquisa completa de todas as frequências DAB Banda III.

- Prima o botão de sintonização automática.
- O rádio realiza uma pesquisa completa das frequências DAB. À medida que as novas estações são encontradas, o contador de estações no lado esquerdo do visor aumenta e as estações são adicionadas à lista.

Sintonia manual – DAB

A sintonização manual permite-lhe sintonizar o rádio para uma determinada frequência DAB na Banda III. Esta função também pode ser utilizada para auxiliar no

posicionamento da antena ou do rádio, de modo a otimizar a receção para um canal ou frequência específicos.

1. Prima o botão de definição avançada e rode o manípulo de Volume/Comando Sintonização/Seletor até que a indicação "Manual Tune" (Sintonização Manual) seja apresentada no visor. Prima o manípulo de Volume/Comando Sintonização/Seletor para entrar no modo de sintonização manual.
2. Rode o manípulo de Volume/Comando Sintonização/Seletor para seleccionar o canal DAB pretendido. Prima o manípulo de Volume/Comando Sintonização/Seletor para confirmar a frequência pretendida.

Configuração da ordem de estações – DAB

O rádio tem 3 definições de ordem de estações à escolha. As definições de ordem de estações são alphanumeric (alfanumérica), ensemble (conjunto) e valid (estação válida).

1. Prima o botão de definição avançada.
2. Rode o manípulo de Volume/Comando Sintonização/Seletor até que a indicação "Station order" (Ordem de estações) seja apresentada no visor e, de seguida, prima o manípulo de Volume/Comando Sintonização/Seletor para introduzir a definição.
3. Rode o manípulo de Volume/Comando Sintonização/Seletor para seleccionar as opções que se seguem e prima o manípulo para confirmar a definição.

Alphanumeric (Alfanumérica)

Ordena a lista de estações alfanumericamente 0...9 A...Z

Ensemble (Conjunto)

Organiza a lista de estações por multiplex DAB

Valid (Estação válida)

Apresenta apenas as estações para as quais é possível encontrar um sinal

Controlo de gama dinâmica (Dynamic Range Control, DRC) – DAB

A funcionalidade DRC pode fazer com que seja mais fácil ouvir os sons mais silenciosos quando o rádio for utilizado num ambiente ruidoso, reduzindo a gama dinâmica do sinal de áudio. Existem três níveis de compressão:

- | | |
|---------|------------------------------|
| DRC 0 | Nenhuma compressão aplicada. |
| DRC 1/2 | Compressão média aplicada. |
| DRC 1 | Compressão máxima aplicada. |

1. Prima o botão de alimentação para ligar o rádio.
2. Prima o botão de banda para seleccionar a banda DAB.
3. Prima o botão de definição avançada e rode o manípulo de Volume/Comando Sintonização/Seletor até que a indicação "DRC Value" (Valor DRC) seja apresentada no visor. De seguida, prima o manípulo de Volume/Comando Sintonização/Seletor para introduzir a definição. O visor apresenta o valor DRC atual.
4. Rode o manípulo de Volume/Comando Sintonização/Seletor para seleccionar a definição DRC pretendida.
5. Prima o manípulo de Volume/Comando Sintonização/Seletor para confirmar a definição.

Pesquisa de sintonia – FM

1. Prima o botão de alimentação para ligar o rádio.
2. Selecione a onda pretendida premindo o botão de banda. Certifique-se de que a antena flexível de haste regulável foi bem colocada para a melhor receção FM. Tente evitar utilizar o rádio perto de um ecrã de computador e outro equipamento que provoque interferências no rádio.
3. Prima o botão de sintonização automática para que o rádio pesquise e pare automaticamente quando encontrar uma estação de rádio. O rádio continuará a pesquisar a estação disponível seguinte a não ser que o operador prima o botão de sintonização automática para parar a pesquisa.
4. Rode o manípulo de Volume/Comando Sintonização/Seletor para obter o nível do som pretendido. O visor LCD mostra as alterações do nível do som.
Nota:
Para utilizar o manípulo de Volume/Comando Sintonização/Seletor para encontrar a estação pretendida, prima continuamente o manípulo de Volume/Comando Sintonização/Seletor para passar ao modo de controlo de sintonização.
5. Para desligar o rádio, prima o botão de alimentação.

Zona de pesquisa FM

Ao utilizar o modo FM, o rádio pode ser definido para pesquisar estações locais ou para pesquisar todas as estações, incluindo estações de rádio distantes.

Sintonia manual – FM

1. Prima o botão de alimentação para ligar o rádio.
2. Prima o botão de banda para seleccionar a onda pretendida.
Regule a antena como se descreve acima.
3. Rode o manípulo de Volume/Comando Sintonização/Seletor para alterar a frequência com o incremento seguinte:
FM: 50 ou 100 kHz
Nota:
Para utilizar o manípulo de Volume/Comando Sintonização/Seletor para encontrar a estação pretendida, prima continuamente o manípulo de Volume/Comando Sintonização/Seletor para passar ao modo de controlo de sintonização.
4. Mantenha a rotação do manípulo de Volume/Comando Sintonização/Seletor até que a frequência pretendida seja apresentada no visor.
5. Rode o manípulo de Volume/Comando Sintonização/Seletor para obter o nível do som pretendido.
6. Para desligar o rádio, prima o botão de alimentação.

Modos de apresentação – FM

O rádio tem uma gama de opções de apresentação para o modo de rádio FM:

Prima repetidamente o botão de informação para percorrer as diferentes opções.

- a. Program station (Tipo de estação)
Indica o nome da estação que está a ouvir.
- b. Radio text (Mensagem de rádio)
Indica mensagens de texto, tais como novos itens, etc.

- c. Program type (Tipo de programa)
Indica o tipo de estação que está a ouvir tal como Pop, Clássicos, Notícias, etc.
- d. Time & date (Hora e data)
Indica a hora e data atuais.
- e. Frequency (Frequência)
Indica a frequência do sinal FM.

Comando Sintonização/Seletor para confirmar a definição.

Reiniciação do sistema

Se o rádio não funcionar corretamente, ou se alguns dígitos no visor estiverem em falta ou incompletos, efetue o procedimento seguinte.

1. Prima o botão de definição avançada.
2. Rode o manípulo de Volume/Comando Sintonização/Seletor até que a indicação "Factory Reset" (Reposição de fábrica) seja apresentada no visor. Prima o manípulo de Volume/Comando Sintonização/Seletor para introduzir a definição.
3. Rode o manípulo de Volume/Comando Sintonização/Seletor para selecionar "Yes". Prima o manípulo de Volume/Comando Sintonização/Seletor para confirmar a definição e realizar uma reposição total.

Versão de software

1. Prima o botão de definição avançada.
2. Rode o manípulo de Volume/Comando Sintonização/Seletor até que a indicação "SW Version" (Versão de software) seja apresentada no visor. Prima o manípulo de Volume/Comando Sintonização/Seletor para ver qual é a versão de software instalada no rádio.

Porta Micro USB para atualização do software

No futuro, poderão ser disponibilizadas atualizações de software para o rádio.

À medida que as atualizações de software ficam disponíveis, o software disponível e as informações sobre como atualizar o rádio podem encontrar-se no **website da Makita**.

Como reproduzir outros aparelhos de som

PRECAUÇÃO:

Desligue o aparelho da tomada antes de ligar outros aparelhos de som.

- Existem 2 tomadas AUX IN. A tomada AUX IN 1 encontra-se no painel frontal e a tomada AUX IN 2 no compartimento da bateria.
- Ligue uma fonte estéreo ou mono (iPod, MP3 ou leitor de CD) à tomada AUX IN 1 ou AUX IN 2 através do cabo de áudio.
- Prima repetidamente e solte o botão de banda até que a indicação "AU1" ou "AU2" seja apresentada e a função AUX seja ativada.

Memorizar estações em memórias predefinidas (DAB e FM)

Existem 5 memorizações para cada banda de onda.

1. Prima o botão de alimentação para ligar o rádio.
2. Sintonize a estação pretendida, usando um dos métodos anteriormente descritos.
3. Prima continuamente o botão de memorização pretendido até que o número de memorização seja apresentado no visor, por exemplo, "P2 Saved". A estação é depois memorizada no botão de memorização selecionado.
4. Repita este procedimento para as memorizações restantes.
5. As estações memorizadas podem ser substituídas seguindo os procedimentos descritos acima.

Chamar estações nas memórias predefinidas (DAB e FM)

1. Prima o botão de alimentação para ligar o rádio.
2. Prima o botão de banda para selecionar a onda pretendida.
3. Prima momentaneamente o botão de memorização pretendido. O número da memorização e a frequência da estação serão apresentados no visor.

Opções de idioma (apenas disponíveis em DMR110)

Estão disponíveis oito opções de idioma no rádio: Inglês, Alemão, Italiano, Francês, Holandês, Dinamarquês, Norueguês e Polaco.

1. Prima o botão de definição avançada.
2. Rode o manípulo de Volume/Comando Sintonização/Seletor até que a indicação "Language" (Idioma) seja apresentada no visor. Prima o manípulo de Volume/Comando Sintonização/Seletor para introduzir a definição.
3. Rode o manípulo de Volume/Comando Sintonização/Seletor para selecionar o idioma pretendido. Prima o manípulo de Volume/Comando Sintonização/Seletor para confirmar a definição.

Controlo do brilho

A retroiluminação do visor pode ser ajustada.

1. Prima o botão de definição avançada.
2. Rode o manípulo de Volume/Comando Sintonização/Seletor até que a indicação "Backlight" (Retroiluminação) seja apresentada no visor. Prima o manípulo de Volume/Comando Sintonização/Seletor para introduzir a definição.
3. Rode o manípulo de Volume/Comando Sintonização/Seletor para optar por ativar ou desativar a função de retroiluminação e prima o manípulo de Volume/

MANUTENÇÃO

PRECAUÇÃO:

- Nunca utilize gasolina, benzina, diluente, álcool ou semelhante. Podem formar-se descolorações, deformações ou fissuras.

ESPECIFICAÇÕES

Requisitos de alimentação

Adaptador de alimentação CA	CC 12 V 1A, pino central positivo
Bateria	Bateria de grupo: 7,2 V - 10,8 V: Bateria de deslize 10,8 V - 18 V
Cobertura de frequências	FM 87,50 - 108 MHz DAB/DAB+ 174,928 - 239,200 MHz
Bloqueio de canais DAB/DAB+	DAB (Banda III) 5A-13F
Norma compatível	DAB (DMR109) DAB/DAB+ (DMR110)

Característica de circuito

Altifalante	3 polegadas 8 ohm
Potência de saída	7,2 V: 0,5 W X 2 10,8 V: 1,2 W X 2 14,4 V: 2,2 W X 2 18 V: 3,5 W X 2
Terminal de entrada	3,5 mm diâ. (AUX IN1/AUX IN2)
Sistema de antena	DAB/FM: antena flexível de haste regulável
Dimensões (C x L x A) em mm	280 x 163 x 302
Peso	4,0 kg (sem bateria)

SYMBOLER

Her vises de symboler, der benyttes til udstyret. Vær sikker på, at du forstår deres betydning, før du bruger udstyret.



..... Læs brugsanvisningen.



..... Kun for EU-lande
Elektrisk udstyr eller batteripakke må ikke bortskaffes sammen med almindeligt affald!



I henhold til det europæiske direktiv 2002/96/EF om bortskaffelse af elektriske og elektroniske produkter, 2006/66/EF om batterier og akkumulatører og bortskaffelse af batterier og akkumulatører og deres implementering under gældende national lovgivning skal brugt elektrisk udstyr og batteripakker, der har udtjent deres levetid, indsamles separat og returneres til miljøgodkendt genindvinding.

VIGTIGE SIKKERHEDSINSTRUKTIONER

⚠ ADVARSEL:

Ved brug af elektriske maskiner skal de grundlæggende sikkerhedsforholdsregler altid overholdes for at reducere risikoen for brand, elektrisk stød og personskade, inklusive de følgende:

1. Læs denne brugsanvisning og brugsanvisningen til opladeren omhyggeligt igennem inden brug.
2. Foretag kun rengøring med en ren klud.
3. Installer ikke udstyret i nærheden af varmekilder som f.eks. radiatorer, indblæsningsriste, kakkellovne eller andre apparater (inklusive forstærkere) der producerer varme.
4. Brug kun ekstraudstyr/tilbehør som er specificeret af producenten.
5. Tag stikket til dette apparat ud under tordenvejr, eller når det ikke skal anvendes i længere tidsperioder.
6. En batteridrevet radio med indbygget batteri eller en separat batteripakke må kun oplades med den specificerede oplader til batteriet. En oplader, der muligvis passer til én type batteri, kan medføre risiko for brand, hvis den anvendes med et andet batteri.
7. Anvend kun batteridrevne radioer sammen med særligt designerede batteripakker. Brug af andre batterier kan muligvis medføre en risiko for brand.
8. Når batteripakken ikke er i brug, skal den holdes væk fra andre metalgenstande som f.eks.: papirclips, mønter, søm, skruer eller andre små metalgenstande, som kan forbinde den ene terminal med den anden. Kortslutning af batteriterminalerne kan medføre gnister, forbrændinger eller brand.
9. Undgå kropskontakt med jordforbundne overflader som rør, radiatorer, overflader og køleskabe. Hvis

kroppen er jordforbundet, forøges risikoen for elektrisk stød.

10. Ved forkert behandling kan der sive væske ud fra batteriet; undgå kontakt. Hvis der opstår utilsigtet kontakt, skal du skylle med vand. Hvis du får væske i øjnene, skal du desuden søge lægehjælp. Væske fra batteriet kan forårsage irritation eller forbrændinger.
11. Stikket til el-nettet anvendes til at frakoble enheden, og det skal forblive nemt at betjene.

GEM DISSE INSTRUKTIONER

VIGTIGE SIKKERHEDSINSTRUKTIONER FOR BATTERIPAKKEN

1. Før brugen af batteripakken skal du læse alle instruktioner og advarsler på (1) batteriopladeren, (2) batteriet og (3) det produkt, som batteriet anvendes i.
2. Skil ikke batteripakken ad.
3. Hvis driftstiden bliver betydeligt kortere, skal brugen straks ophøre. Fortsat brug kan medføre risiko for overophedning, risiko for forbrændinger eller endog eksplosion.
4. Hvis du får elektrolyt i øjnene, skal du med det samme rense øjnene med rent vand og søge læge. Det kan medføre tab af synet.
5. Kortslut ikke batteripakken:
 - (1) Undgå at røre ved terminalerne med ledende materiale.
 - (2) Undgå at opbevare batteripakken i en beholder med andre metalgenstande som f.eks. søm, mønter osv.
 - (3) Udsæt ikke batteripakken for vand eller regn. Hvis batteriet kortsluttes, kan det medføre voldsom strøm, overophedning, mulige forbrændinger og endog nedbrud.
Hvis batteriet kortsluttes, kan det medføre voldsom strøm, overophedning, mulige forbrændinger og endog nedbrud.
6. Undgå at opbevare maskinen og batteripakken på steder, hvor temperaturen kan komme op på eller overstige 50°C.
7. Sæt ikke ild til batteripakken, selvom den er alvorligt beskadiget eller helt udtjent. Batteripakken kan eksplodere ved brand.
8. Undgå at tage eller slå på batteriet.
9. Undlad brug af et beskadiget batteri.
10. De indeholdte lithium-ion-batterier er underlagt betingelserne i lovgivningen vedrørende farligt gods. For kommercielle transportere fx af tredjeparter, spedidører, skal særlige krav om indpakning og mærkning overholdes.
Det er nødvendigt ved forberedelsen af forsendelsen af emnet at konsultere en ekspert i farlige stoffer. Vær desuden også opmærksom på muligvis mere detaljerede nationale bestemmelser.
Tape eller tildæk åbne kontakter og pak batteriet ind på en sådan måde, at det ikke kan bevæge sig rundt inde i indpakningen.
11. Overhold de lokale bestemmelser med hensyn til bortskaffelse af batteri.

GEM DISSE INSTRUKTIONER.

⚠ FORSIGTIG: Brug kun originale Makita-batterier. Brug af uoriginale Makita-batterier, eller batterier som er blevet ændret, kan muligvis medføre eksplosion af batteri med brand, personskade og beskadigelse til følge. Det vil også ugyldiggøre Makita-garantien for Makita-maskinen og -opladeren.

Tips til, hvordan du forlænger batteriets levetid

1. Oplad batteripakken, før den bliver helt afladet. Ophør med at bruge maskinen, og udskift batteripakken, hvis strømmen til maskinen aftager.
2. Oplad aldrig en fuldt opladet batteripakke. Overopladning forkorter batteriets levetid.
3. Oplad batteripakken ved rumtemperatur på 10°C - 40°C. Lad batteripakken køle ned før den oplades, hvis den er varm.
4. Oplad batteripakken, hvis du ikke skal anvende den i en længere periode (mere end seks måneder).

FORKLARING AF GENEREL OVERSICHT (Fig. 1 - 12)

1. Tænd/sluk-knap
2. Knap til valg af bånd
3. Avanceret indstilling-knap
4. Info-knap
5. Forhåndsindstillingsknap
6. Automatisk kanalsøgningsknap
7. Lydstyrke-/kanalsøgnings-/valgknap
8. DC IN-stik
9. AUX IN 1
10. LCD-display
11. Blød bøjet stavantenne
12. Håndtag
13. Dæksel til batterirum (dækker batterirummet)
14. Højtaler
15. Lås til batterirum
16. Indgangsterminal (AUX IN 2)
17. Mikro-USB-port til softwareopgradering
18. Batterirum
19. Rød indikator
20. Knap
21. Batteripakke
22. Indikatorlamper
23. Kontrolknap

FUNKTIONER

- FM/DAB (DMR109)
- FM/DAB eller DAB+ (DMR110)
- Stort LCD-display med lys
- Manuel/Programmeret/Automatisk kanalsøgning
- Drejeknap til kanalsøgning og lydstyrke
- 5 faste stationer på hvert bånd
- Mikro-USB-port til softwareopgradering
- Stereohøjtaler for rig lydgenivelse
- Ultra robust design
- Vandtæt til IP64
- Strømforsyning via både Makita-batteripakke og medfølgende strømadapter

DRIFTSTID

De følgende tabeller angiver driftstiden med et fuldt opladet batteri.

Batterikapacitet	Batteripakkespænding				Ved højtalerudgang = 50 mW + 50 mW Enhed: Time (Cirka)
	7,2 V	10,8 V	14,4 V	18 V	
1,0 Ah	BL7010				4,5 time
1,3 Ah		BL1013			5,5 time
			BL1415		5,0 time
				BL1815	6,0 time
1,5 Ah	BL0715				6,5 time
		BL1015			8,0 time
			BL1415N		7,0 time
				BL1815N	7,5 time
2,0 Ah		BL1020B		BL1820 BL1820B	10 time
3,0 Ah			BL1430 BL1430B		11 time
				BL1830 BL1830B	14 time
4,0 Ah		BL1040B		BL1840 BL1840B	20 time
			BL1440		18 time
5,0 Ah			BL1450		22 time
				BL1850 BL1850B	25 time
6,0 Ah			BL1460B		24 time
				BL1860B	31 time

 : Klyngebatteri  : Skydebatteri

* Driftstiden er baseret på betjening i DAB/DAB+ på en enkelt opladning.

* Driftstiden kan muligvis variere afhængigt af batteritype, opladestatus og brugsforhold.

MONTERING

Montering eller fjernelse af skydebatteripakken (Fig. 4-6)

FORSIGTIG:

Sluk altid for radioen inden fjernelse af batteripakken.

- Ved montering af batteripakken justeres tungen på batteripakken med rillen i huset, hvorefter pakken skubbes ind på plads. Sæt den altid hele vejen ind, indtil den låses på plads med et lille klik.
- Hvis den røde indikator øverst på knappen er synlig, er batteripakken ikke låst helt fast. Sæt den helt ind, indtil den røde indikator ikke er synlig. Ellers kan den falde ud af radioen og skade dig eller andre personer i nærheden.
- Brug ikke magt ved montering af batteripakken. Hvis den ikke glider let ind, er den ikke indsat korrekt.
- Fjern batteripakken ved at holde ned på knappen foran på batteripakken og skubbe den af radioen, eller ved at trykke på knapperne på begge sider af pakken.

Sæt låsen til batterirummet tilbage på dens oprindelige position.

Reduceret styrke, forvrængning og en "stammende lyd" er tegn på, at batteriet behøver at blive udskiftet.

Bemærk:

Batteripakken kan ikke oplades med den medfølgende vekselstrømsadapter.

Montering eller fjernelse af klyngebatteripakken (Fig. 7 og 8)

FORSIGTIG:

Sluk altid for radioen inden fjernelse af batteripakken.

- Ved indsætning af batteripakken justeres tungen på batteripakken med rillen i huset, hvorefter pakken skubbes på plads.
- Fjern batteripakken ved at tage batteriet ud af terminalen, mens du trykker på knapperne på siden af pakken.

Sæt låsen til batterirummet tilbage på dens oprindelige position.

Reduceret styrke, forvrængning og en "stammende lyd" er tegn på, at batteriet behøver at blive udskiftet.

Bemærk:

Batteripakken kan ikke oplades med den medfølgende vekselstrømsadapter.

Angivelse af den resterende batterikapacitet (Fig. 9)

Kun for batteripakker med "B" til sidst i modelnummeret. Tryk på kontrolknappen på batteripakken for at få angivet den resterende batterikapacitet. Indikatorlamperne lyser i nogle få sekunder.

Indikatorlamper			Resterende kapacitet
Tændt	Slukket	Blinker	
■	□	◐	75% til 100%
■	■	□	50% til 75%
■	■	□	25% til 50%
■	□	□	0% til 25%
◐	□	□	Oplad batteriet.
■	■	□	Der opstod muligvis funktionsfejl på batteriet.

Bemærk:

- Afhængigt af anvendelsesforholdene og den omgivende temperatur, kan angivelsen muligvis afvige en smule fra den egentlige kapacitet.

Montering af den bløde bøjede stavantenne (Fig. 10 og 11)

Monter den bløde bøjede stavantenne som vist på figuren.

Bemærk:

Der er en plads i batterirummet beregnet til opbevaring af den afmonterede antenne.

Brug af den medfølgende vekselstrømsadapter (Fig. 12)

Fjern gummiproppen og sæt adapterstikket ind i jævnstrømsstikket på forsiden af radioen. Tilslut adapteren til en almindelig stikkontakt. Når adapteren bruges, slås batteripakningen automatisk fra. Vekselstrømsadapteren bør trækkes ud af stikkontakten, når den ikke er i brug.

BETJENING

Radioen har tre kanalsøgningsmetoder - automatisk kanalsøgning, manuel kanalsøgning og forprogrammerede kanaler.

Valg af en station - DAB

- Tryk på tænd/sluk-knappen for at tænde for radioen.
- Vælg DAB-indstillingen ved at trykke på knappen til valg af bånd.
- Tryk på avanceret indstilling-knappen og drej på lydstyrke-/kanalsøgnings-/valgknappen indtil "Station List" blinker på skærmen. Tryk på lydstyrke-/

kanalsøgnings-/valgknappen for at komme ind til listen over stationerne.

- Drej på lydstyrke-/kanalsøgnings-/valgknappen for at rulle gennem listen over tilgængelige stationer. Tryk på knappen for at vælge stationen.
- Juster den ønskede lydstyrke ved at dreje på lydstyrke-/kanalsøgnings-/valgknappen.

Displayindstillinger – DAB

Radioen har en række visningsmuligheder i DAB-indstillingen:

Tryk på info-knappen for at bevæge dig igennem de forskellige valgmuligheder, som vises under de følgende bogstaver (a. til g.).

- Navn på station: Angiver navnet på den station der lyttes til.
- Programstation: Angiver typen på den station der lyttes til. F.eks. pop, klassisk, nyheder osv.
- Multiplex-navn: Angiver navnet på det DAB-multiplex, som den aktuelle station tilhører.
- Tidspunkt og dato: Angiver det aktuelle tidspunkt og dato.
- Frekvens og kanal: Angiver frekvensen og kanalnummeret for den DAB-station, der aktuelt er stillet ind på.
- Bithastighed/lydtype: Angiver bithastigheden for digitallyden og lydtypen for den DAB-station, der aktuelt er stillet ind på.
- Signalstyrke: Angiver signalstyrken for den DAB-station, der aktuelt er stillet ind på.

Sådan finder du nye stationer – DAB

Fra tid til anden kommer der muligvis nye DAB-radiostationer til. Eller du er måske flyttet til en anden del af landet. I dette tilfælde er du muligvis nødt til at aktivere din radio til at scanne efter nye stationer.

For at give radioen mulighed for at finde alle de tilgængelige stationer anbefales det, at du udfører en fuld scanning af samtlige DAB-bånd III-frekvenser.

- Tryk på automatisk kanalsøgningsknappen.
- Radioen udfører en fuld scanning af DAB-frekvenserne. Efterhånden som der findes nye stationer, førges stationstælleren til venstre i displayet, og der tilføjes stationer til listen.

Manuel kanalsøgning – DAB

Manuel kanalsøgning giver dig mulighed for at indstille radioen på en bestemt DAB-frekvens på bånd III. Denne funktion kan også anvendes til at rette antennen eller radioen ind for at optimere modtagelsen af en særlig kanal eller frekvens.

- Tryk på avanceret indstilling-knappen og drej på lydstyrke-/kanalsøgnings-/valgknappen indtil "Manual Tune" vises på displayet. Tryk på lydstyrke-/ kanalsøgnings-/valgknappen for at komme ind i den manuelle kanalsøgningsindstilling.

2. Drej på lydstyrke-/kanalsøgnings-/valgknappen for at vælge den ønskede DAB-kanal. Tryk på lydstyrke-/kanalsøgnings-/valgknappen for at bekræfte den valgte frekvens.

Opsætning af stationsrækkefølge – DAB

Radioen er udstyret med 3 indstillinger for stationsrækkefølge, som du kan vælge imellem. Indstillingerne for stationsrækkefølge er alfanumerisk, ensemble og gyldig station.

1. Tryk på avanceret indstilling-knap.
2. Drej på lydstyrke-/kanalsøgnings-/valgknappen indtil der vises "Station order" i displayet, og tryk derefter på lydstyrke-/kanalsøgnings-/valgknappen for at komme ind i indstillingen.
3. Drej på lydstyrke-/kanalsøgnings-/valgknappen for at vælge de følgende valgmuligheder og tryk på knappen for at bekræfte indstillingen.

Alfanumerisk	Sorterer stationlisten alfanumerisk 0...9 A...Z
Ensemble	Organiserer stationlisten efter DAB-multiplex
Gyldig	Viser kun de stationer, som der kan findes et signal for

Dynamisk områdekontrol (DRC) – DAB

DRC-funktionen kan gøre svage lyde nemmere at høre, når radioen anvendes i et støjfyldt miljø, ved at reducere lydsignalets dynamiske område. Der er tre komprimeringsniveauer:

- | | |
|---------|-------------------------------------|
| DRC 0 | Der anvendes ingen komprimering. |
| DRC 1/2 | Der anvendes medium komprimering. |
| DRC 1 | Der anvendes maksimal komprimering. |
1. Tryk på tænd/sluk-knappen for at tænde for radioen.
 2. Tryk på knappen til valg af bånd for at vælge DAB-båndet.
 3. Tryk på avanceret indstilling-knappen og drej på lydstyrke-/kanalsøgnings-/valgknappen indtil "DRC Value" vises på displayet. Tryk derefter på lydstyrke-/kanalsøgnings-/valgknappen for at komme ind i indstillingen. Displayet viser den aktuelle DRC-værdi.
 4. Drej på lydstyrke-/kanalsøgnings-/valgknappen for at vælge den ønskede DRC-indstilling.
 5. Tryk på lydstyrke-/kanalsøgnings-/valgknappen for at bekræfte indstillingen.

Automatisk kanalsøgning – FM

1. Tryk på tænd/sluk-knappen for at tænde for radioen.
2. Vælg det ønskede frekvensbånd ved at trykke på knappen til valg af bånd. Kontroller, at den bløde bøjede stavantenne er placeret optimalt for den bedst mulige FM-signalmodtagelse. Prøv at undgå at anvende radioen i nærheden af en computerskærm og andet udstyr, der kan forårsage interferens på radioen.
3. Tryk på automatisk kanalsøgningsknappen og radioen søger og stopper automatisk, når den finder en radiostation. Radioen fortsætter med at søge efter den næste tilgængelige station, medmindre brugeren trykker på den automatiske kanalsøgningsknap for at stoppe scanningen.

4. Drej på lydstyrke-/kanalsøgnings-/valgknappen for at få det ønskede lydniveau. LCD-displayet viser ændringerne i lydniveauet.

Bemærk:

For at kunne bruge lydstyrke-/kanalsøgnings-/valgknappen til at finde din ønskede station, skal du trykke og holde på lydstyrke-/kanalsøgnings-/valgknappen for at skifte til kanalsøgningsindstillingen.

5. For at slukke for radioen skal du trykke på tænd/sluk-knappen.

FM-scanningszone

Når du anvender FM-indstillingen, kan radioen indstilles til at scanne enten lokale stationer eller til at scanne alle stationer inklusive fjerne radiostationer.

Manuel kanalsøgning – FM

1. Tryk på tænd/sluk-knappen for at tænde for radioen.
 2. Tryk på knappen til valg af bånd for at vælge det ønskede frekvensbånd. Juster antennen som beskrevet ovenfor.
 3. Drejer du på lydstyrke-/kanalsøgnings-/valgknappen ændres frekvensen i følgende intervaller:
FM: 50 eller 100 kHz
- Bemærk:**
For at kunne bruge lydstyrke-/kanalsøgnings-/valgknappen til at finde din ønskede station, skal du trykke og holde på lydstyrke-/kanalsøgnings-/valgknappen for at skifte til kanalsøgningsindstillingen.
4. Bliv ved med at dreje på lydstyrke-/kanalsøgnings-/valgknappen indtil den ønskede frekvens vises i displayet.
 5. Drej på lydstyrke-/kanalsøgnings-/valgknappen for at få det ønskede lydniveau.
 6. For at slukke for radioen skal du trykke på tænd/sluk-knappen.

Displayindstillinger – FM

Radioen har en række displayfunktioner i FM-radioindstillingen:

Fortsæt med at trykke på Info-knappen for at komme igennem de forskellige valgmuligheder.

- a. Programstation Angiver navnet på den station der lyttes til.
- b. Radiotekst Angiver tekstmeddelelser som f.eks. nye emner osv.
- c. Programtype Angiver den type station der lyttes til som f.eks. pop, klassisk, nyheder osv.
- d. Tidspunkt og dato Angiver det aktuelle tidspunkt og dato.
- e. Frekvens Angiver frekvensen for FM-signalet.

Lagring af stationer som forhåndsindstillinger (DAB og FM)

Der er 5 forhåndsindstillinger for hvert frekvensbånd.

1. Tryk på tænd/sluk-knappen for at tænde for radioen.
2. Stil ind på den ønskede station ved hjælp af en af de tidligere beskrevne metoder.
3. Tryk og hold på den ønskede forhåndsindstillingsknap indtil forhåndsindstillingsnummeret vises på displayet.

for eksempel "P2 Saved". Stationen gemmes derefter på den valgte forhåndsindstillingsknap.

4. Gentag denne procedure for de resterende forhåndsindstillinger.
5. Stationer, der er gemt som forhåndsindstillinger, kan overskrives vha. de procedurer, som er beskrevet ovenfor.

Genkald stationer fra forhåndsindstillingerne (DAB og FM)

1. Tryk på tænd/sluk-knappen for at tænde for radioen.
2. Tryk på knappen til valg af bånd for at vælge det ønskede frekvensbånd.
3. Tryk midlertidigt på den ønskede forhåndsindstillingsknap. Forhåndsindstillingsnummeret og stationsfrekvensen vises i displayet.

Sprogindstillinger (kun til rådighed i DMR110)

Der er otte sprogindstillinger til rådighed i radioen: Engelsk, tysk, italiensk, fransk, hollandsk, dansk, norsk og polsk.

1. Tryk på avanceret indstilling-knap.
2. Drej på lydstyrke-/kanalsøgnings-/valgknappen indtil "Language" vises i displayet. Tryk på lydstyrke-/kanalsøgnings-/valgknappen for at komme ind i indstillingen.
3. Drej på lydstyrke-/kanalsøgnings-/valgknappen for at vælge det ønskede sprog. Tryk på lydstyrke-/kanalsøgnings-/valgknappen for at bekræfte indstillingen.

Lysstyrkekontrol

Baggrundsbelysningen i displayet kan justeres.

1. Tryk på avanceret indstilling-knap.
2. Drej på lydstyrke-/kanalsøgnings-/valgknappen indtil "Backlight" vises i displayet. Tryk på lydstyrke-/kanalsøgnings-/valgknappen for at komme ind i indstillingen.
3. Drej på lydstyrke-/kanalsøgnings-/valgknappen for at aktivere eller deaktivere baggrundsbelysningsfunktionen, og tryk derefter på lydstyrke-/kanalsøgnings-/valgknappen for at bekræfte i indstillingen.

Nulstilling af system

Hvis din radio ikke fungerer ordentligt, eller der er cifre på displayet, som mangler eller er ukomplette, skal du udføre den følgende procedure.

1. Tryk på avanceret indstilling-knap.
2. Drej på lydstyrke-/kanalsøgnings-/valgknappen indtil "Factory Reset" vises i displayet. Tryk på lydstyrke-/kanalsøgnings-/valgknappen for at komme ind i indstillingen.
3. Drej på lydstyrke-/kanalsøgnings-/valgknappen for at vælge "Yes". Tryk på lydstyrke-/kanalsøgnings-/valgknappen for at bekræfte indstillingen, hvorefter der udføres en komplet nulstilling.

Softwareversion

1. Tryk på avanceret indstilling-knap.
2. Drej på lydstyrke-/kanalsøgnings-/valgknappen indtil "SW Version" vises i displayet. Tryk på lydstyrke-/kanalsøgnings-/valgknappen for at få vist den softwareversion, som er installeret i radioen.

Mikro-USB-port til softwareopgradering

Der er muligvis softwareopdateringer til rådighed for din radio i fremtiden.

Efterhånden som der bliver softwareopdateringer til rådighed, kan du finde software og information, om hvordan du opdaterer radioen, på **Makitas webside**.

Sådan afspilles andre lydilder

⚠ FORSIGTIG:

Tag apparatets stik ud af forbindelse, før der tilsluttes andre lydilder.

- Der er 2 AUX IN-stik. AUX IN 1 er placeret på frontpanelet, og AUX IN 2 er placeret i batterirummet.
- Tilslut en stereo- eller monokilde (dvs. iPod, MP3 eller CD-afspiller) til enten AUX IN 1 eller AUX IN 2 ved hjælp af et lyd kabel.
- Tryk på og slip knappen til valg af bånd flere gange indtil der vises "AU1" eller "AU2", hvorefter AUX-funktionen er aktiveret.

VEDLIGEHOLDELSE

⚠ FORSIGTIG:

- Brug aldrig benzin, benzen, fortynder, alkohol eller lignende. Det kan muligvis medføre misfarvning, deformation eller revner.

SPECIFIKATIONER

Strømkrav

Vekselstrømsadapter	DC 12 V 1A, centerben positivt
Batteri	Klyngebatteri: 7,2 V - 10,8 V skydebatteri: 10,8 V - 18 V
Frekvensdækning	FM 87,50 - 108 MHz DAB/DAB+ 174,928 - 239,200 MHz
DAB/DAB+ Kanalblok	DAB (Bånd III) 5A-13F
Kompatibel standard	DAB (DMR109) DAB/DAB+ (DMR110)

Kredsløbsfunktion

Højttaler	3 tommer 8 ohm
Udgangseffekt	7,2 V: 0,5 W X 2 10,8 V: 1,2 W X 2 14,4 V: 2,2 W X 2 18 V: 3,5 W X 2
Indgangsterminal	3,5 mm dia. (AUX IN1/AUX IN2)
Antennesystem	DAB/FM: blød bøjet stavantenne
Mål (L x B x H) i mm	280 x 163 x 302
Vægt	4,0 kg (uden batteri)

ΣΥΜΒΟΛΑ

Τα παρακάτω παρουσιάζουν τα σύμβολα που χρησιμοποιούνται για το προϊόν. Βεβαιωθείτε ότι κατανοείτε τη σημασία τους πριν από τη χρήση.



..... Διαβάστε το εγχειρίδιο οδηγιών.



..... Μόνο για τις χώρες της ΕΕ
Μην απορρίπτετε τον ηλεκτρικό εξοπλισμό ή την μπαταρία μαζί με τα οικιακά απορρίμματα!



Σύμφωνα με την Ευρωπαϊκή Οδηγία 2002/96/ΕΚ περί αποβλήτων ηλεκτρικού και ηλεκτρονικού εξοπλισμού, την 2006/66/ΕΚ περί μπαταριών και συσσωρευτών και των αποβλήτων των μπαταριών και των συσσωρευτών και την ενσωμάτωσή τους στην εθνική νομοθεσία, ο ηλεκτρικός εξοπλισμός και η μπαταρία που έχουν φτάσει στο τέλος της ζωής τους πρέπει να συλλέγονται ξεχωριστά και να επιστρέφονται σε εγκαταστάσεις περιβαλλοντικής ανακύκλωσης.

ΣΗΜΑΝΤΙΚΕΣ ΟΔΗΓΙΕΣ ΑΣΦΑΛΕΙΑΣ

⚠️ ΠΡΟΕΙΔΟΠΟΙΗΣΗ:

Όταν χρησιμοποιείτε ηλεκτρικά εργαλεία, πρέπει πάντοτε να ακολουθείτε όλες τις βασικές προφυλάξεις ασφαλείας, για να μειώσετε τον κίνδυνο πυρκαγιάς, ηλεκτροπληξίας ή ατομικού τραυματισμού, περιλαμβανομένων αυτών που περιγράφονται στη συνέχεια:

1. Διαβάστε προσεκτικά αυτό το εγχειρίδιο οδηγιών και το εγχειρίδιο οδηγιών του φορτιστή πριν από τη χρήση.
2. Καθαρίστε μόνο με στεγνό πανί.
3. Μην εγκαταστήσετε κοντά σε πηγές θερμότητας όπως calorifέρ, ανοίγματα εκροής θερμού αέρα, σύμπες ή άλλες συσκευές (συμπεριλαμβανομένων ενισχυτών) που παράγουν θερμότητα.
4. Χρησιμοποιείτε μόνο εξαρτήματα/αξεσουάρ που καθορίζονται από τον κατασκευαστή.
5. Αποσυνδέετε τη συσκευή κατά τη διάρκεια καταιγίδων με κεραυνούς ή όταν δεν πρόκειται να τη χρησιμοποιήσετε για μεγάλο χρονικό διάστημα.
6. Ένα ραδιόφωνο που λειτουργεί με ενσωματωμένες μπαταρίες ή με ξεχωριστή κασέτα μπαταρίας, πρέπει να επαναφορτίζεται μόνο με τον καθορισμένο φορτιστή για την μπαταρία. Ένας φορτιστής που είναι κατάλληλος για ένα τύπο μπαταρίας μπορεί να προκαλέσει τον κίνδυνο πυρκαγιάς εάν χρησιμοποιηθεί σε ένα άλλο τύπο μπαταρίας.
7. Όταν το ραδιόφωνο λειτουργεί με μπαταρίες χρησιμοποιήστε μόνο τις ειδικά καθορισμένες κασέτες μπαταριών. Η χρήση οποιοδήποτε άλλων μπαταριών μπορεί να δημιουργήσει τον κίνδυνο πυρκαγιάς.
8. Όταν η κασέτα μπαταρίας δεν χρησιμοποιείται, φυλάξτε τη μακριά από άλλα μεταλλικά αντικείμενα,

όπως συνδετήρες, νομίσματα, κλειδιά, καρφιά, βίδες ή άλλα μικρά μεταλλικά αντικείμενα, τα οποία μπορούν να δημιουργήσουν σύνδεση από τον ένα πόλο στον άλλο. Το βραχυκύκλωμα των ακροδεκτών της μπαταρίας μπορεί να προκαλέσει εγκαύματα ή πυρκαγιά.

9. Αποφεύγετε την επαφή του σώματος με γειωμένες επιφάνειες, όπως σωλήνες, calorifέρ, φούρνους και ψυγεία. Υπάρχει αυξημένος κίνδυνος για πρόκληση ηλεκτροπληξίας εάν το σώμα σας είναι γειωμένο.
10. Σε ακραίες συνθήκες μπορεί να επαχθεί έξω το υγρό της μπαταρίας, αποφύγετε την επαφή μαζί του. Εάν συμβεί τυχαία επαφή, ξεπλύνετε με νερό. Αν το υγρό έρθει σε επαφή με τα μάτια, επιπλέον ζητήστε ιατρική βοήθεια. Το υγρό που εκτοξεύεται από την μπαταρία μπορεί να προκαλέσει ερεθισμό ή εγκαύματα.
11. Το βύσμα ΤΡΟΦΟΔΟΣΙΑΣ χρησιμοποιείται ως συσκευή αποσύνδεσης και πρέπει να βρίσκεται πάντοτε σε ετοιμότητα λειτουργίας.

ΦΥΛΑΞΤΕ ΑΥΤΕΣ ΤΙΣ ΟΔΗΓΙΕΣ

ΣΗΜΑΝΤΙΚΕΣ ΟΔΗΓΙΕΣ ΑΣΦΑΛΕΙΑΣ ΓΙΑ ΤΗΝ ΜΠΑΤΑΡΙΑ

1. Πριν χρησιμοποιήσετε την κασέτα μπαταρίας, διαβάστε όλες τις οδηγίες και τις ενδείξεις προφύλαξης στο (1) φορτιστή μπαταρίας, (2) στην μπαταρία και (3) στο προϊόν στο οποίο χρησιμοποιείται η μπαταρία.
 2. Μην αποσυναρμολογήσετε την κασέτα μπαταρίας.
 3. Αν ο χρόνος λειτουργίας της μπαταρίας είναι υπερβολικά σύντομος, διακόψτε αμέσως τη λειτουργία. Αν συνεχίσετε, μπορεί να επέλθει ο κίνδυνος υπερθέρμανσης, πιθανών εγκαυμάτων και ακόμη έκρηξης.
 4. Αν μπει στα μάτια σας ηλεκτρολύτης, ξεπλύνετε με καθαρό νερό και αναζητήστε αμέσως ιατρική βοήθεια. Μπορεί να χάσετε την όρασή σας.
 5. Μην βραχυκυκλώνετε την κασέτα μπαταρίας:
 - (1) Μην αγγίζετε τους ακροδέκτες με αγώγιμο υλικό.
 - (2) Μην αποθηκεύετε την κασέτα μπαταρίας σε δοχείο με άλλα μεταλλικά αντικείμενα, όπως καρφιά, νομίσματα, κτλ.
 - (3) Μην εκθέτετε την κασέτα μπαταρίας σε νερό ή βροχή. Αν βραχυκυκλωθεί η μπαταρία, μπορεί να προκληθεί μεγάλη ροή ηλεκτρικού ρεύματος, υπερθέρμανση, πιθανά εγκαύματα και ακόμη και κατάρρευση.
- Αν βραχυκυκλωθεί η μπαταρία, μπορεί να προκληθεί μεγάλη ροή ηλεκτρικού ρεύματος, υπερθέρμανση, πιθανά εγκαύματα και ακόμη και κατάρρευση.
6. Μην αποθηκεύετε το εργαλείο και την κασέτα μπαταρίας σε μέρη όπου η θερμοκρασία μπορεί να φτάσει ή να ξεπεράσει τους 50°C (122°F).
 7. Μην αποπερφώνετε την κασέτα μπαταρίας ακόμη κι αν παρουσιάζει σοβαρή ζημιά ή είναι εντελώς φθαρμένη. Η κασέτα μπαταρίας μπορεί να εκραγεί στη φωτιά.
 8. Να προσέχετε να μη σας πέσει η μπαταρία και να μη συγκρουστεί με κάποιο αντικείμενο.
 9. Μη χρησιμοποιείτε μια μπαταρία που έχει υποστεί βλάβη.

10. Οι περιεχόμενες μπαταρίες ιόντων λιθίου, υπόκεινται στις απαιτήσεις της νομοθεσίας περί επικίνδυνων εμπορευμάτων. Για τις εμπορικές μεταφορές, π.χ. από τρίτους, μεταφορικές εταιρίες, θα πρέπει να τηρούνται οι ειδικές απαιτήσεις για τη συσκευασία και την επισήμανση.

Απαιτείται η διαβούλευση με έναν εμπειρογνώμονα για επικίνδυνα υλικά για την προετοιμασία του αποστελλόμενου υλικού. Παρακαλείσθε επίσης να τηρήσετε τους ενδεχομένως πιο λεπτομερείς εθνικούς κανονισμούς.

Καλύψτε με ταινία ή άλλο κάλυμμα τις ανοικτές επαφές και συσκευάστε τη μπαταρία κατά τέτοιο τρόπο ώστε να μην μπορεί να μετακινηθεί μέσα στη συσκευασία.

11. Ακολουθήστε τους τοπικούς κανονισμούς σχετικά με την απόρριψη της μπαταρίας.

ΦΥΛΑΞΤΕ ΑΥΤΕΣ ΤΙΣ ΟΔΗΓΙΕΣ.

⚠ ΠΡΟΣΟΧΗ: Χρησιμοποιήστε μόνο αυθεντικές μπαταρίες της Makita. Η χρήση μη αυθεντικών μπαταριών της Makita ή μπαταριών που έχουν τροποποιηθεί, μπορεί να οδηγήσει στην έκρηξη των μπαταριών προκαλώντας πυρκαγιές, σωματική βλάβη και ζημιά. Θα ακυρώσει επίσης την εγγύηση της Makita για το εργαλείο και τον φορτιστή της Makita.

Συμβουλές για τη διατήρηση της μέγιστης διάρκειας ζωής της μπαταρίας

1. Να φορτίζετε την κασέτα μπαταρίας πριν αποφορτιστεί εντελώς.
Πάντοτε να διακόπτετε τη λειτουργία του εργαλείου και να φορτίζετε την κασέτα μπαταρίας όταν παρατηρείται μειωμένη ισχύς του εργαλείου.
2. Ποτέ μην επαναφορτίζετε μια πλήρως φορτισμένη κασέτα μπαταρίας.
Αν υπερφορτίσετε την μπαταρία, μειώνεται η ωφέλιμη διάρκεια ζωής της.
3. Φορτίστε την κασέτα μπαταρίας σε θερμοκρασία δωματίου στους 10°C - 40°C (50°F - 104°F). Αν η κασέτα μπαταρίας είναι θερμή, αφήστε την να ψυχθεί πριν τη φορτίσετε.
4. Φορτίστε την κασέτα μπαταρίας εάν δεν πρόκειται να την χρησιμοποιήσετε για μεγάλη χρονική περίοδο (περισσότερους από έξι μήνες).

ΕΠΕΞΗΓΗΣΗ ΤΗΣ ΓΕΝΙΚΗΣ ΟΨΗΣ (Εικ. 1-12)

1. Κουμπί τροφοδοσίας
2. Κουμπί μπάντας
3. Κουμπί προηγμένων ρυθμίσεων
4. Κουμπί πληροφοριών
5. Κουμπί προεπιλογής
6. Κουμπί αυτόματου συντονισμού
7. Κουμπί έντασης/ελέγχου συντονισμού/επιλογής
8. Υποδοχή εισόδου DC
9. AUX IN 1
10. Οθόνη LCD
11. Μαλακή λυγισμένη ράβδος κεραίας
12. Χερούλι
13. Κάλυμμα θήκης μπαταρίας (που καλύπτει την κασέτα μπαταρίας)

14. Ηχείο
15. Ασφάλεια θήκης μπαταρίας
16. Τερματικό εισόδου (AUX IN 2)
17. Θύρα μικρο-USB για αναβάθμιση λογισμικού
18. Θήκης μπαταρίας
19. Κόκκινη ένδειξη
20. Κουμπί
21. Κασέτα μπαταρίας
22. Ενδεικτικές λυχνίες
23. Κουμπί ελέγχου

ΧΑΡΑΚΤΗΡΙΣΤΙΚΑ

- FM/DAB (DMR109)
- FM/DAB ή DAB+ (DMR110)
- Μεγάλη οθόνη LCD με φωτισμό
- Χειροκίνητα/Προεπιλογή /Συντονισμός σάρωσης
- Περιστροφικός συντονισμός και έλεγχος έντασης
- 5 προεπιλεγμένοι σταθμοί για κάθε μπάντα
- Θύρα μικρο-USB για αναβάθμιση λογισμικού
- Στερεοφωνικά ηχεία για πλούσια απόδοση ήχου
- Εξαιρετικά στιβαρή σχεδίαση
- Αδιάβροχο ως IP64
- Τροφοδοτείται και από κασέτα μπαταρίας Makita και από παρεχόμενο μετασχηματιστή ρεύματος

ΧΡΟΝΟΣ ΛΕΙΤΟΥΡΓΙΑΣ

Οι παρακάτω πίνακες εμφανίζουν το χρόνο λειτουργίας με μία πλήρως φορτισμένη μπαταρία.

Χωρητικότητα μπαταρίας	Τάση κασέτας μπαταρίας				Στην έξοδο ηχείου = 50 mW + 50 mW Μονάδα: Ωρα (Κατά προσέγγιση)
	7,2 V	10,8 V	14,4 V	18 V	
1,0 Ah	BL7010				4,5 ώρες
1,3 Ah		BL1013			5,5 ώρες
			BL1415		5,0 ώρες
				BL1815	6,0 ώρες
1,5 Ah	BL0715				6,5 ώρες
		BL1015			8,0 ώρες
			BL1415N		7,0 ώρες
				BL1815N	7,5 ώρες
2,0 Ah		BL1020B		BL1820 BL1820B	10 ώρες
3,0 Ah			BL1430 BL1430B		11 ώρες
				BL1830 BL1830B	14 ώρες
4,0 Ah		BL1040B		BL1840 BL1840B	20 ώρες
			BL1440		18 ώρες
5,0 Ah			BL1450		22 ώρες
				BL1850 BL1850B	25 ώρες
6,0 Ah			BL1460B		24 ώρες
				BL1860B	31 ώρες

 : Συστοιχία μπαταρίας  : Συρόμενη κασέτα μπαταρίας

* Ο χρόνος λειτουργίας βασίζεται στη λειτουργία σε DAB / DAB + με μία μόνο φόρτιση.

* Ο χρόνος λειτουργίας μπορεί να διαφέρει ανάλογα με τον τύπο της μπαταρίας, την κατάσταση φόρτισης, και την κατάσταση χρήσης.

ΤΟΠΟΘΕΤΗΣΗ

Τοποθέτηση ή αφαίρεση της συρόμενης κασέτας μπαταρίας (Εικ. 4 - 6)

ΠΡΟΣΟΧΗ:

Πάντοτε να απενεργοποιείτε το ραδιόφωνο πριν από την αφαίρεση της κασέτας μπαταρίας.

- Για να τοποθετήσετε την κασέτα μπαταρίας, ευθυγραμμίστε τη γλωττίδα της κασέτας μπαταρίας με την εγκοπή στο περίβλημα και σύρτε τη στη θέση της. Πάντοτε να την τοποθετείτε έως το τέρμα έως όπου ασφαλίζει στη θέση της και ακουστεί ένας απλός ήχος "κλικ".
- Αν μπορείτε να δείτε την κόκκινη ένδειξη στην πάνω πλευρά του κουμπιού, η μπαταρία δεν είναι πλήρως ασφαλισμένη. Τοποθετήστε την πλήρως έως όπου να μη φαίνεται η κόκκινη ένδειξη. Σε αντίθετη περίπτωση, μπορεί να πέσει κατά λάθος από το ραδιόφωνο και να τραυματίσει εσάς ή κάποιον παρευρισκόμενο.
- Να μη χρησιμοποιείτε δύναμη όταν τοποθετείτε την κασέτα μπαταρίας. Αν η κασέτα δεν ολισθαίνει με ευκολία, δεν την έχετε εισαγάγει σωστά.
- Για να βγάλετε την κασέτα μπαταρίας, σύρτε την από το ραδιόφωνο ολισθαίνοντας το κουμπί στο μπροστινό

μέρος της κασέτας ή πιέζοντας τα κουμπιά και στις δυο πλευρές της κασέτας.

Επαναφέρετε την ασφάλεια της θήκης των μπαταριών στην αρχική της θέση. Η μειωμένη ισχύς, η αλλοίωση και ένας "τραυλιστός ήχος" είναι οι ενδείξεις ότι η μπαταρία χρειάζεται αντικατάσταση.

Σημείωση:

Η κασέτα μπαταρίας δεν μπορεί να φορτιστεί μέσω του παρεχόμενου μετασχηματιστή ρεύματος AC.

Τοποθέτηση ή αφαίρεση της κασέτας συστοιχίας μπαταρίας (Εικ. 7 και 8)

ΠΡΟΣΟΧΗ:

Πάντοτε να απενεργοποιείτε το ραδιόφωνο πριν από την αφαίρεση της κασέτας μπαταρίας.

- Για να εισάγετε την κασέτα μπαταρίας, ευθυγραμμίστε τη γλωττίδα της κασέτας μπαταρίας με την εγκοπή στο περίβλημα και ολισθήστε τη στη θέση της.
- Για να αφαιρέσετε την κασέτα μπαταρίας, βγάλτε την μπαταρία έξω από το τερματικό πατώντας ταυτόχρονα τα κουμπιά στο πλάι της κασέτας.

Επαναφέρετε την ασφάλεια της θήκης των μπαταριών στην αρχική της θέση.

Η μειωμένη ισχύς, η αλλοίωση και ένας “τραυλιστός ήχος” είναι οι ενδείξεις ότι η μπαταρία χρειάζεται αντικατάσταση.












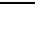


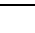


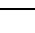





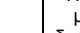
Σημείωση:

Η κασέτα μπαταρίας δεν μπορεί να φορτιστεί μέσω του παρεχόμενου μετασχηματιστή ρεύματος AC.

Ένδειξη εναπομένουσας χωρητικότητας της μπαταρίας (Εικ. 9)

Μόνο για τις κασέτες μπαταρία με “B” στο τέλος του αριθμού μοντέλου.

Πατήστε το κουμπί ελέγχου στην κασέτα μπαταρίας για να εμφανιστεί η υπολειπόμενη χωρητικότητα της μπαταρίας. Οι ενδεικτικές λυχνίες θα ανάψουν για μερικά δευτερόλεπτα.

Ενδεικτικές λυχνίες			Εναπομένουσα χωρητικότητα
 Αναμμένες	 Σβηστές	 Αναβοσβήνουν	
			75% έως 100%
			50% έως 75%
			25% έως 50%
			0% έως 25%
			Φορτίστε τη μπαταρία.
 	 	 	Η μπαταρία μπορεί να δυσλειτουργεί.

Σημείωση:

- Ανάλογα με τις συνθήκες χρήσης και τη θερμοκρασία περιβάλλοντος, η ένδειξη μπορεί να διαφέρει ελαφρώς από την πραγματική χωρητικότητα.

Εγκατάσταση της μαλακής λυγισμένης ράβδου κεραίας (Εικ. 10 & 11)

Εγκαταστήστε τη μαλακή λυγισμένη ράβδο κεραίας όπως φαίνεται στην εικόνα.

Σημείωση:

Υπάρχει ένα κούμπωμα στη θήκη της μπαταρίας σχεδιασμένο για την αποθήκευση της αφαιρούμενης κεραίας.

Χρήση του παρεχόμενου μετασχηματιστή ρεύματος AC (Εικ. 12)

Αφαιρέστε το προστατευτικό από καουτσούκ και τοποθετήστε το βύσμα του μετασχηματιστή στην υποδοχή DC στην μπροστινή πλευρά του ραδιοφώνου. Συνδέστε τον μετασχηματιστή σε μια τυπική πρίζα. Κάθε φορά που ο μετασχηματιστής χρησιμοποιείται, η κασέτα μπαταρίας αποσυνδέεται αυτόματα. Ο μετασχηματιστής AC θα πρέπει να αποσυνδεθεί από την κύρια παροχή, όταν δεν χρησιμοποιείται.

ΛΕΙΤΟΥΡΓΙΑ

Η συσκευή αυτή είναι εφοδιασμένη με τρεις μεθόδους συντονισμού- Συντονισμός με σάρωση, Χειροκίνητος συντονισμός και Ανάκτηση προεπιλεγμένης μνήμης.

Η επιλογή ενός σταθμού – DAB

- Πατήστε το κουμπί τροφοδοσίας για να ενεργοποιήσετε το ραδιόφωνο σας.
- Επιλέξτε τη λειτουργία DAB πατώντας το κουμπί μπάνας.
- Πατήστε το κουμπί προηγμένων ρυθμίσεων και περιστρέψτε το κουμπί έντασης/ελέγχου συντονισμού/επιλογής έως ότου η “Λίστα σταθμών” να αναβοσβήνει στην οθόνη. Πατήστε το κουμπί έντασης/ελέγχου συντονισμού/επιλογής για να μεταβείτε στη λίστα των σταθμών.
- Περιστρέψτε το κουμπί έντασης/ελέγχου συντονισμού/επιλογής για να μετακινηθείτε μέσα στη λίστα των διαθέσιμων σταθμών. Πατήστε το κουμπί για να επιλέξετε το σταθμό.
- Ρυθμίστε την επιθυμητή ένταση περιστρέφοντας το κουμπί έντασης/ελέγχου συντονισμού/επιλογής.

Λειτουργίες προβολής – DAB

Το ραδιόφωνό σας έχει μια σειρά από επιλογές ένδειξης της λειτουργίας DAB:

Πατήστε το κουμπί πληροφοριών για να μεταβείτε στις διάφορες επιλογές που εμφανίζονται στα παρακάτω γράμματα (α. έως g.).

- Όνομα σταθμού Δείχνει το όνομα του σταθμού που ακούτε.
- Τύπος προγράμματος Δείχνει τον τύπο του σταθμού που ακούτε. Π.χ. Ποπ, Κλασικά, Ειδήσεις, κ.λπ.
- Πολυπλεξικό όνομα Δείχνει το όνομα του πολυπλεξικού DAB στο οποίο ανήκει ο τρέχων σταθμός.
- Ωρα & ημερομηνία Δείχνει την τρέχουσα ώρα και ημερομηνία.
- Συχνότητα και κανάλι Δείχνει τη συχνότητα και τον αριθμό καναλιού για τον τρέχοντα συντονισμένο σταθμό DAB.
- Ρυθμός μπιπ/Τύπος ήχου Δείχνει το ρυθμό μπιπ του ψηφιακού ήχου και τον τύπο ήχου για τον τρέχοντα συντονισμένο σταθμό DAB.
- Ισχύς σήματος Δείχνει την ισχύ σήματος για τον τρέχοντα συντονισμένο σταθμό DAB.

Ανέυρεση νέων σταθμών – DAB

Από καιρό σε καιρό, μπορούν να καταστούν διαθέσιμοι νέοι ραδιοφωνικοί σταθμοί DAB. Ή μπορεί να την έχετε μετακινηθεί σε διαφορετικό μέρος της χώρας. Σε αυτή την περίπτωση μπορεί να χρειαστεί να ενεργοποιήσετε το ραδιόφωνο για να εκτελέσετε σάρωση νέων σταθμών. Για να επιτρέψετε το ραδιόφωνο για να βρει τους διαθέσιμους σταθμούς, συνιστάται να πραγματοποιήσετε

για πλήρη σάρωση του συνόλου των συχνοτήτων της μπάντας III DAB.

1. Πατήστε το κουμπί του αυτόματου συντονισμού.
2. Το ραδιόφωνο σας θα εκτελέσει μια πλήρη σάρωση των συχνοτήτων DAB. Καθώς βρίσκονται νέοι σταθμοί, ο μετρητής σταθμών στην αριστερή πλευρά της οθόνης θα αυξάνει και σταθμοί θα προστίθενται στη λίστα.

Χειροκίνητος συντονισμός – DAB

Ο χειροκίνητος συντονισμός σας επιτρέπει να συντονίσετε το ραδιόφωνο σας σε μια συγκεκριμένη συχνότητα DAB στη μπάντα III. Αυτή η λειτουργία μπορεί επίσης να χρησιμοποιηθεί για να βοηθήσει στην εύρεση της σωστής θέσης της κεραίας ή του ραδιοφώνου ώστε να βελτιστοποιηθεί η λήψη για ένα συγκεκριμένο κανάλι ή συχνότητα.

1. Πατήστε το κουμπί προηγμένων ρυθμίσεων και περιστρέψτε το κουμπί έντασης/ελέγχου συντονισμού/επιλογής έως ότου να εμφανιστεί στην οθόνη ο “Χειροκίνητος συντονισμός”. Πατήστε το κουμπί έντασης/ελέγχου συντονισμού/επιλογής για να μεταβείτε στη λειτουργία χειροκίνητου συντονισμού.
2. Περιστρέψτε το κουμπί έντασης/ελέγχου συντονισμού/επιλογής για να επιλέξετε το επιθυμητό κανάλι DAB. Πατήστε το κουμπί έντασης/ελέγχου συντονισμού/επιλογής για να μεταβείτε στη λειτουργία χειροκίνητου συντονισμού.

Ρύθμιση σειράς σταθμών – DAB

Το ραδιόφωνο σας διαθέτει 3 ρυθμίσεις σειράς σταθμών από τις οποίες μπορείτε να επιλέξετε. Οι ρυθμίσεις σειράς σταθμών είναι αφαριθμητικός, συγκρότημα και έγκυρος σταθμός.

1. Πατήστε το κουμπί προηγμένων ρυθμίσεων.
2. Περιστρέψτε το κουμπί έντασης/ελέγχου συντονισμού/επιλογής μέχρι να εμφανιστεί στην οθόνη το “Σειρά σταθμών”, στη συνέχεια πατήστε το κουμπί έντασης/ελέγχου συντονισμού/επιλογής για να εισάγετε τη ρύθμιση.
3. Περιστρέψτε το κουμπί έντασης/ελέγχου συντονισμού/επιλογής για να επιλέξετε τις παρακάτω ρυθμίσεις και πατήστε το κουμπί για να επιβεβαιώσετε τη ρύθμιση.

Αφαριθμητικό	Ταξινομεί την λίστα των σταθμών αλφαβητικά-αριθμητικά 0...9 A...Z
Συγκρότημα	Οργανώνει τη λίστα των σταθμών κατά πολυπλεξικό DAB
Έγκυρο	Δείχνει μόνο τους σταθμούς για τους οποίους μπορεί να βρεθεί σήμα

Έλεγχος δυναμικού εύρους (DRC) – DAB

Το χαρακτηριστικό DCR μπορεί να κάνει ευκολότερο το άκουσμα των ήχων χαμηλής έντασης όταν το ραδιόφωνο χρησιμοποιείται σε θορυβώδες περιβάλλον, μειώνοντας το δυναμικό εύρος του ηχητικού σήματος. Υπάρχουν τρία επίπεδα συμπίεσης:

DRC 0	Δεν εφαρμόζεται συμπίεση.
DRC 1/2	Εφαρμόζεται ενδιάμεση συμπίεση.
DRC 1	Εφαρμόζεται μέγιστη συμπίεση.

1. Πατήστε το κουμπί τροφοδοσίας για να ενεργοποιήσετε το ραδιόφωνο σας.

2. Πατήστε το κουμπί μπάντας για να επιλέξετε την επιθυμητή μπάντα DAB.
3. Πατήστε το κουμπί προηγμένων ρυθμίσεων και περιστρέψτε το κουμπί έντασης/ελέγχου συντονισμού/επιλογής έως ότου να εμφανιστεί στην οθόνη η “Τιμή DRC”. Πατήστε το κουμπί έντασης/ελέγχου συντονισμού/επιλογής για να εισάγετε τη ρύθμιση. Η οθόνη θα εμφανίσει την τρέχουσα τιμή DRC.
4. Περιστρέψτε το κουμπί έντασης/ελέγχου συντονισμού/επιλογής για να επιλέξετε την επιθυμητή ρύθμιση DAB.
5. Πατήστε το κουμπί έντασης/ελέγχου συντονισμού/επιλογής για να εισάγετε τη ρύθμιση.

Σάρωση Συντονισμός – FM

1. Πατήστε το κουμπί τροφοδοσίας του ραδιοφώνου για να ενεργοποιήσετε το ραδιόφωνο.
2. Επιλέξτε την επιθυμητή μπάντα συχνοτήτων πατώντας το κουμπί μπάντας. Βεβαιωθείτε ότι η μαλακή λυγισμένη ράβδος κεραίας έχει τοποθετηθεί σε καλή θέση για την καλύτερη λήψη FM. Προσπαθήστε να λειτουργείτε το ραδιόφωνο μακριά από οθόνη υπολογιστή ή από άλλες συσκευές που μπορούν να προκαλέσουν παρεμβολή στο ραδιόφωνο.
3. Πατήστε το κουμπί αυτόματου συντονισμού και το ραδιόφωνο θα πραγματοποιήσει αναζήτηση και θα σταματήσει αυτόματα όταν εντοπίσει ένα ραδιοφωνικό σταθμό. Το ραδιόφωνο θα συνεχίσει να αναζητά τον εσθμενο διαθέσιμο σταθμό εκτός εάν ο χειριστής πατήσει το κουμπί αυτόματου συντονισμού για να σταματήσει τη σάρωση.
4. Περιστρέψτε το κουμπί έντασης/ελέγχου συντονισμού/επιλογής για να αποκτήσετε την επιθυμητή ένταση ήχου. Η οθόνη LCD θα εμφανίσει τις αλλαγές στην ένταση του ήχου.

Σημείωση:

Για να χρησιμοποιήσετε το κουμπί έντασης/ελέγχου συντονισμού/επιλογής για να βρείτε τον επιθυμητό σταθμό σας, πιέστε και κρατήστε πατημένο το κουμπί έντασης/ελέγχου συντονισμού/επιλογής για να μεταβείτε στη ρύθμιση λειτουργίας ελέγχου συντονισμού.

5. Για να απενεργοποιήσετε το ραδιόφωνο, πατήστε το κουμπί τροφοδοσίας.

Ζώνη σάρωσης FM

Όταν χρησιμοποιείται η λειτουργία FM, το ραδιόφωνο σας μπορεί να ρυθμιστεί για σάρωση είτε των τοπικών σταθμών είτε για τη σάρωση όλων των σταθμών συμπεριλαμβανομένων των μακρινών ραδιοφωνικών σταθμών.

Χειροκίνητη σάρωση – FM

1. Πατήστε το κουμπί τροφοδοσίας του ραδιοφώνου για να ενεργοποιήσετε το ραδιόφωνο.
2. Πατήστε το κουμπί μπάντας για να επιλέξετε την επιθυμητή μπάντα συχνοτήτων. Ρυθμίστε την κεραία, όπως περιγράφεται παραπάνω.
3. Η περιστροφική του κουμπιού έντασης/ελέγχου συντονισμού/επιλογής θα αλλάξει τη συχνότητα με την παρακάτω προσαύξηση:
FM: 50 ή 100 kHz

Σημείωση:

Για να χρησιμοποιήσετε το κουμπί έντασης/ελέγχου συντονισμού/επιλογής για να βρείτε τον επιθυμητό σταθμό σας, πιάστε και κρατήστε πατημένο το κουμπί έντασης/ελέγχου συντονισμού/επιλογής για να μεταβείτε στη ρύθμιση λειτουργίας ελέγχου συντονισμού.

4. Συνεχίστε να περιστρέψετε το κουμπί έντασης/ελέγχου συντονισμού/επιλογής μέχρι να εμφανιστεί στην οθόνη η απαιτούμενη συχνότητα.
5. Περιστρέψτε το κουμπί έντασης/ελέγχου συντονισμού/επιλογής για να αποκτήσετε την επιθυμητή ένταση ήχου.
6. Για να απενεργοποιήσετε το ραδιόφωνο, πατήστε το κουμπί τροφοδοσίας.

Λειτουργίες ενδείξεων – FM

Ραδιόφωνο σας έχει μια σειρά από επιλογές ένδειξης για τη λειτουργία ραδιοφώνου FM:

Πατήστε επανειλημμένα το κουμπί πληροφοριών για μετάβαση στις διάφορες επιλογές.

- a. Σταθμός προγράμματος Εμφανίζει το όνομα του σταθμού που ακούγεται.
- b. Ραδιοφωνικό κείμενο Εμφανίζει μήνυμα κειμένου, όπως νέα στοιχεία κλπ.
- c. Τύπος προγράμματος Εμφανίζει το είδος του σταθμού που ακούγεται, όπως Pop, Κλασικός, Ειδήσεις, κ.α.
- d. Ώρα & ημερομηνία Δείχνει την τρέχουσα ώρα και ημερομηνία.
- e. Συχνότητα Δείχνει τη συχνότητα του σήματος FM.

Αποθήκευση σταθμών σε προκαθορισμένες μνήμες (DAB και FM)

Υπάρχουν 5 προεπιλεγμένες μνήμες για κάθε μπάντα κύματος.

1. Πατήστε το κουμπί τροφοδοσίας του ραδιοφώνου για να ενεργοποιήσετε το ραδιόφωνο.
2. Συντονιστείτε με τον επιθυμητό σταθμό χρησιμοποιώντας μια μέθοδο από αυτές που αναφέρθηκαν προηγουμένως.
3. Πατήστε και κρατήστε πατημένο το επιθυμητό κουμπί προεπιλογής μέχρι να εμφανιστεί ο αριθμός προεπιλογής στην οθόνη, για παράδειγμα, “P2 Αποθηκευμένο”. Ο σταθμός στη συνέχεια αποθηκεύεται στο επιλεγμένο κουμπί προεπιλογής.
4. Επαναλάβετε αυτή τη διαδικασία για τις εναπομείνουσες προεπιλογές.
5. Οι αποθηκευμένοι σταθμοί στις προεπιλεγμένες μνήμες μπορούν να αντικατασταθούν ακολουθώντας τις παραπάνω διαδικασίες.

Ανάκτηση σταθμών από τις προκαθορισμένες μνήμες (DAB και FM)

1. Πατήστε το κουμπί τροφοδοσίας του ραδιοφώνου για να ενεργοποιήσετε το ραδιόφωνο.
2. Πατήστε το κουμπί μπάνας για να επιλέξετε την επιθυμητή μπάνα συχνότητας.

3. Πιάστε το επιθυμητό κουμπί προεπιλογής στιγμιαία. Πατήστε τον αριθμό προεπιλογής και η συχνότητα του σταθμού θα εμφανιστεί στην ένδειξη.

Επιλογές γλώσσας (διαθέσιμες μόνο στο DMR110)

Υπάρχουν διαθέσιμες οκτώ επιλογές γλώσσας στο ραδιόφωνο: Αγγλικά, Γερμανικά, Ιταλικά, Γαλλικά, Ολλανδικά, Δανικά, Νορβηγικά και Πολωνικά.

1. Πατήστε το κουμπί προηγμένων ρυθμίσεων.
2. Περιστρέψτε το κουμπί έντασης/ελέγχου συντονισμού/επιλογής μέχρι να εμφανιστεί στην οθόνη το “Γλώσσα”. Πατήστε το κουμπί έντασης/ελέγχου συντονισμού/επιλογής για να εισάγετε τη ρύθμιση.
3. Περιστρέψτε το κουμπί έντασης/ελέγχου συντονισμού/επιλογής για να επιλέξετε την επιθυμητή γλώσσα. Πατήστε το κουμπί έντασης/ελέγχου συντονισμού/επιλογής για να επιβεβαιώσετε τη ρύθμισή σας.

Έλεγχος φωτεινότητας

Ο οπίσθιος φωτισμός της οθόνης μπορεί να ρυθμιστεί.

1. Πατήστε το κουμπί προηγμένων ρυθμίσεων.
2. Περιστρέψτε το κουμπί έντασης/ελέγχου συντονισμού/επιλογής μέχρι να εμφανιστεί στην οθόνη το “Οπίσθιος φωτισμός”. Πατήστε το κουμπί έντασης/ελέγχου συντονισμού/επιλογής για να εισάγετε τη ρύθμιση.
3. Περιστρέψτε το κουμπί έντασης/ελέγχου συντονισμού/επιλογής για να επιλέξετε την ενεργοποίηση ή την απενεργοποίηση της λειτουργίας του οπίσθιου φωτισμού, στη συνέχεια πατήστε το κουμπί έντασης/ελέγχου συντονισμού/επιλογής για να επιβεβαιώσετε τη ρύθμιση.

Επαναφορά συστήματος

Αν το ραδιόφωνό σας δεν λειτουργεί σωστά ή αν δεν εμφανίζονται κάποια ψηφία στην ένδειξη ή εμφανίζονται ατελώς, εκτελέστε την παρακάτω διαδικασία.

1. Πατήστε το κουμπί προηγμένων ρυθμίσεων.
2. Περιστρέψτε το κουμπί έντασης/ελέγχου συντονισμού/επιλογής μέχρι να εμφανιστεί στην οθόνη το “Εργοστασιακή επαναφορά”. Πατήστε το κουμπί έντασης/ελέγχου συντονισμού/επιλογής για να εισάγετε τη ρύθμιση.
3. Περιστρέψτε το κουμπί έντασης/ελέγχου συντονισμού/επιλογής για να επιλέξετε το “Ναι”. Πατήστε το κουμπί έντασης/ελέγχου συντονισμού/επιλογής για να επιβεβαιώσετε τη ρύθμιση και θα εκτελεστεί μια πλήρη επαναφορά.

Έκδοση λογισμικού

1. Πατήστε το κουμπί προηγμένων ρυθμίσεων.
2. Περιστρέψτε το κουμπί έντασης/ελέγχου συντονισμού/επιλογής μέχρι να εμφανιστεί στην οθόνη το “Έκδοση λογισμικού”. Πατήστε το κουμπί έντασης/ελέγχου συντονισμού/επιλογής για να δείτε την έκδοση λογισμικού που είναι εγκαταστημένη στο ραδιόφωνο.

Ώρα μικρο-USB για αναβάθμιση λογισμικού

Μελλοντικές ενημερώσεις λογισμικού για το ραδιόφωνό σας μπορεί να είναι διαθέσιμες.

Στην **ιστοσελίδα Makita** μπορούν να βρεθούν οι διαθέσιμες ενημερώσεις λογισμικού και οι πληροφορίες για το πώς θα γίνει η ενημέρωση του ραδιοφώνου σας.

Πώς να παίξετε άλλα ηχητικά

ΠΡΟΣΟΧΗ:

- Αποσυνδέστε τη συσκευή πριν συνδέσετε άλλα ηχητικά.
- Υπάρχουν 2 υποδοχές AUX IN. Το AUX IN 1 βρίσκεται στην πρόσοψη και το AUX IN 2 βρίσκεται στη θήκη της μπαταρίας.
 - Συνδέστε μια πηγή στερεοφωνική ή μονοφωνική (π.χ. iPod, MP3 ή CD player) είτε στο AUX IN 1 είτε στο AUX IN 2 με καλώδιο ήχου.
 - Επανειλημμένα πατήστε και αφήστε το κουμπί μπάντας μέχρι να εμφανιστεί η ένδειξη "AU1" ή "AU2", τότε είναι ενεργοποιημένη η λειτουργία AUX.

ΣΥΝΤΗΡΗΣΗ

ΠΡΟΣΟΧΗ:

- Μην χρησιμοποιήσετε βενζίνη, βενζόλη, διαλυτικό, αλκοόλη ή κάτι παρόμοιο. Μπορεί να προκληθεί αποχρωματισμός, παραμόρφωση ή ρωγμές.

ΠΡΟΔΙΑΓΡΑΦΕΣ

Απαιτήσεις τροφοδοσίας

Μετασχηματιστής ρεύματος AC

DC 12 V 1A, θετικός πόλος η κεντρική ακίδα

Μπαταρία

Συστοιχία μπαταρίας:

7,2 V - 10,8 V

Συρόμενη κασέτα μπαταρίας:

10,8 V - 18 V

Συχνότητας κάλυψης

FM 87,50 έως 108 MHz

DAB/DAB+ 174,928 -

239,200 MHz

DAB/DAB+ Μπλοκ καναλιού

DAB (Μπάντα III) 5A-13F

Συμβατό πρότυπο

DAB (BMR109)

DAB, DAB+ (BMR110)

Χαρακτηριστικό κυκλώματος

Μεγάφωνο 3 ιντσών 8 ohm

Ισχύς εξόδου

7,2 V: 0,5 W X 2

10,8 V: 1,2 W X 2

14,4 V: 2,2 W X 2

18 V: 3,5 W X 2

Τερματικό εισόδου

Διαμ. 3,5 mm (AUX IN1/AUX IN2)

Σύστημα κεραίας

DAB/FM: Μαλακή λυγισμένη

ράβδος κεραίας

Διαστάσεις (Μ x Π x Υ) σε mm

280 x 163 x 302

Βάρος

4,0 kg (χωρίς μπαταρία)

SYMBOLE

Poniżej przedstawiono symbole stosowane w przypadku omawianego urządzenia. Przed rozpoczęciem jego użytkowania należy upewnić się, że są one zrozumiałe.



..... Przeczytać instrukcję obsługi.



Cd
Ni-MH
Li-Ion

..... Dotyczy tylko państw UE
Nie wyrzucaj urządzeń elektrycznych lub akumulatorów wraz z odpadami z gospodarstwa domowego!
Zgodnie z Europejską Dyrektywą 2002/96/WE w sprawie zużytego sprzętu elektrotechnicznego i elektronicznego oraz 2006/66/WE dotyczącą akumulatorów i baterii oraz zużytych akumulatorów i baterii, a także dostosowaniem ich do prawa krajowego, zużyte urządzenia elektryczne i akumulatory, których okres eksploatacji dobiegł końca, należy składować osobno i przekazywać do zakładu recyklingu działającego zgodnie z przepisami dotyczącymi ochrony środowiska.

WAŻNE ZASADY BEZPIECZEŃSTWA

OSTRZEŻENIE:

Używając elektronarzędzi, należy zawsze przestrzegać podstawowych środków ostrożności dotyczących bezpieczeństwa w celu zmniejszenia ryzyka wystąpienia pożaru, porażenia prądem oraz obrażeń ciała, włączając poniższe:

1. Przed korzystaniem z urządzenia należy dokładnie zapoznać się z niniejszą instrukcją obsługi oraz instrukcją obsługi ładowarki.
2. Czyścić wyłącznie suchą szmatką.
3. Nie montować przy jakimkolwiek źródle ciepła, takim jak grzejniki, kratki wylotowe ciepłego powietrza, piecze lub inne urządzenia (również wzmacniacze) wytwarzające ciepło.
4. Stosować wyłącznie przyrządy/akcesoria zalecane przez producenta.
5. Wyłączyć niniejsze urządzenie podczas burzy oraz w przypadku nieużywania przez dłuższy czas.
6. Akumulatorowy odbiornik radiowy z akumulatorem wbudowanym lub oddzielnym musi być ładowany wyłącznie za pomocą określonej ładowarki do akumulatora. Ładowarka przeznaczona do jednego typu akumulatora może stwarzać zagrożenie wystąpienia pożaru w przypadku stosowania jej do ładowania innego akumulatora.
7. Do zasilania akumulatorowego odbiornika radiowego należy używać tylko przeznaczonych do niego akumulatorów. Używanie innych akumulatorów może stwarzać ryzyko wystąpienia pożaru.
8. Gdy akumulator nie jest używany, należy zabezpieczyć go przed kontaktem z innymi metalowymi przedmiotami, takimi jak spinacze,

monety, klucze, gwoździe, wkręty bądź inne małe przedmioty metalowe, które mogą powodować zwarcie styków akumulatora. Zwarcie styków akumulatora grozi pojawieniem się iskier, poparzeniami lub pożarem.

9. Należy unikać kontaktu ciała z przedmiotami uziemionymi, takimi jak rury, grzejniki, kuchenki czy lodówki. Gdy ciało człowieka jest uziemione, wzrasta ryzyko porażenia prądem elektrycznym.
10. W razie niewłaściwych warunków użytkowania może dojść do wycieku elektrolitu z akumulatora. Unikać kontaktu. W razie przypadkowego kontaktu należy przemyć skażoną skórę wodą. W przypadku kontaktu elektrolitu z oczami należy dodatkowo zasięgnąć porady lekarza. Płyn z akumulatora może powodować podrażnienia lub poparzenia.
11. Wtyczka ZASILANIA GŁÓWNEGO pełni funkcję urządzenia odłączającego, w związku z powyższym należy zapewnić do niej łatwy dostęp.

ZACHOWAĆ NINIEJSZĄ INSTRUKCJĘ

WAŻNE ZASADY BEZPIECZEŃSTWA DOTYCZĄCE AKUMULATORA

1. Przed użyciem akumulatora należy zapoznać się ze wszystkimi zaleceniami i znakami ostrzegawczymi na (1) ładowarce do akumulatora, (2) akumulatorze i (3) produkcie, w którym będzie używany akumulator.
2. Nie demontować akumulatora.
3. Jeśli czas pracy uległ znacznemu skróceniu, należy natychmiast przerwać pracę. Może bowiem dojść do przegrzania, wystąpienia ewentualnych poparzeń, a nawet eksplozji.
4. W przypadku dostania się elektrolitu do oczu należy je przemyć wodą i niezwłocznie zasięgnąć porady lekarza. Przedostanie się elektrolitu do oczu może spowodować utratę wzroku.
5. Nie zwierać styków akumulatora:
 - (1) Nie dotykać styków przedmiotami przewodzącymi prąd.
 - (2) Nie przechowywać akumulatora w pojemniku z innymi metalowymi przedmiotami, takimi jak gwoździe, monety itp.
 - (3) Akumulator należy chronić przed wodą lub deszczem. Zwarcie powoduje przepływ prądu elektrycznego o dużym natężeniu i przegrzanie akumulatora, co w konsekwencji może grozić poparzeniami, a nawet uszkodzeniem produktu. Zwarcie powoduje przepływ prądu elektrycznego o dużym natężeniu i przegrzanie akumulatora, co w konsekwencji może grozić poparzeniami, a nawet uszkodzeniem produktu.
6. Nie przechowywać urządzenia ani akumulatora w miejscach, w których temperatura osiąga lub przekracza 50°C.
7. Nie wrzucać akumulatorów do ognia, nawet tych poważnie uszkodzonych lub całkowicie zużytych. Akumulator wrzucony do ognia może eksplodować.
8. Akumulator należy chronić przed upadkami i uderzeniami.

9. Nie używać uszkodzonych akumulatorów.
10. Dołączone do opakowania akumulatory litowo-jonowe podlegają wymaganiom ustawy o przewozie towarów niebezpiecznych. W przypadku transportu towarowego, np. przez stronę trzecią, firmy spedycyjne, należy przestrzegać specjalnych wymagań dotyczących pakowania i etykietowania. W celu przygotowania towaru do wysyłki należy skonsultować się ze specjalistą ds. materiałów niebezpiecznych. Należy również przestrzegać prawdopodobnie bardziej szczegółowych przepisów krajowych.
Zakleić taśmą lub zabezpieczyć otwarte styki, a następnie zapakować akumulator w sposób uniemożliwiający jego ruch w opakowaniu.
11. Postępować zgodnie z przepisami lokalnymi dotyczącymi utylizacji akumulatora.
15. Pokrywa przedziału na akumulatory
16. Gniazdo wejścia (wejście AUX 2)
17. Port micro USB umożliwiający aktualizację oprogramowania
18. Przedział na akumulatory
19. Czerwony wskaźnik
20. Przycisk
21. Akumulator
22. Kontrolki
23. Przycisk Check (sprawdź)

FUNKCJE

- FM/DAB (DMR109)
- FM/DAB lub DAB+ (DMR110)
- Duży wyświetlacz LCD z funkcją podświetlenia
- Strojenie ręczne / przywoływanie za pomocą przycisków programowalnych / strojenie automatyczne
- Pokrętko strojenia/głośności
- 5 programowalnych przycisków do ustawiania stacji radiowych dla każdego pasma częstotliwości
- Port micro USB umożliwiający aktualizację oprogramowania
- Głośnik stereo zapewniający czyste brzmienie
- Ultra trwała obudowa
- Wodoodporność spełniająca wymogi stopnia ochrony IP64
- Odbiornik radiowy zasilany zarówno przez akumulator Makita, jak i przez dostarczony zasilacz

ZACHOWAĆ NINIEJSZĄ INSTRUKCJĘ OBSŁUGI.

⚠ UWAGA: Należy stosować wyłącznie oryginalne akumulatory firmy Makita. Stosowanie nieoryginalnych akumulatorów innych niż firmy Makita lub akumulatorów, które zostały zmodyfikowane, może przyczynić się do wybuchu akumulatora, powodując pożar, obrażenia ciała i uszkodzenia. Spowoduje to również unieważnienie gwarancji Makita na urządzenie i ładowarkę Makita.

Wskazówki dotyczące zachowania maksymalnej żywotności akumulatora

1. Akumulator należy naładować zanim ulegnie całkowitemu rozładowaniu.
W przypadku stwierdzenia spadku mocy urządzenia należy przerwać pracę i naładować akumulator.
2. Nigdy nie ładować w pełni naładowanego akumulatora.
Zbyt długie ładowanie skraca żywotność akumulatora.
3. Akumulator należy ładować w temperaturze pokojowej w zakresie od 10°C do 40°C. Przed naładowaniem akumulatora należy odczekać, aż ostygnie.
4. Jeżeli planowany okres wyłączenia z eksploatacji jest dłuższy (przekracza sześć miesięcy), akumulator należy naładować.

OBJAŚNIENIA DO WIDOKU OGÓLNEGO (Rys. 1 - 12)

1. Przycisk Power (zasilanie)
2. Przycisk Band (pasmo częstotliwości)
3. Przycisk Advanced (ustawienie zaawansowane)
4. Przycisk Info
5. Przycisk Preset (przycisk programowalny)
6. Przycisk Auto tune (strojenie automatyczne)
7. Pokrętko głośności/strojenia/wyboru
8. Gniazdo wejścia prądu stałego
9. Wejście AUX 1
10. Wyświetlacz LCD
11. Giętka antena
12. Uchwyt
13. Osłona przedziału na akumulatory (zabezpieczająca akumulator)
14. Głośnik

CZAS PRACY

Poniższe tabele przedstawiają czasy pracy przy maksymalnym naładowaniu akumulatora.

Poziom naładowania akumulatora	Napięcie akumulatora				Na wyjściu głośnika = 50 mW ±50 mW Jednostka: Godz. (wartość przybliżona)
	7,2 V	10,8 V	14,4 V	18 V	
1,0 Ah	BL7010				4,5 godz.
1,3 Ah		BL1013			5,5 godz.
			BL1415		5,0 godz.
				BL1815	6,0 godz.
1,5 Ah	BL0715				6,5 godz.
		BL1015			8,0 godz.
			BL1415N		7,0 godz.
				BL1815N	7,5 godz.
2,0 Ah		BL1020B		BL1820 BL1820B	10 godz.
3,0 Ah			BL1430 BL1430B		11 godz.
				BL1830 BL1830B	14 godz.
4,0 Ah		BL1040B		BL1840 BL1840B	20 godz.
			BL1440		18 godz.
5,0 Ah			BL1450		22 godz.
				BL1850 BL1850B	25 godz.
6,0 Ah			BL1460B		24 godz.
				BL1860B	31 godz.

 : Zespół akumulatorów  : Akumulator wsuwany

* Czas pracy został podany w oparciu o pracę w zakresie DAB/DAB+ na jednym naładowaniu.

* Czas pracy może różnić się w zależności od typu akumulatora, stanu naładowania i warunków użytkowania.

MONTAŻ

Montaż lub demontaż akumulatora wsuwanego (Rys. 4 - 6)

UWAGA:

Przed demontażem akumulatora należy zawsze wyłączyć odbiornik radiowy.

- Aby zamontować akumulator, należy wyrównać występ na akumulatorze z rowkiem w obudowie i wsunąć go na swoje miejsce. Akumulator należy zawsze wsunąć do oporu, do momentu jego zablokowania na miejscu, co jest sygnalizowane delikatnym kliknięciem.
- Jeśli czerwony wskaźnik w górnej części przycisku jest nadal widoczny, oznacza to, że nie został on całkowicie zablokowany. Należy go zamontować całkowicie, tak aby czerwony wskaźnik nie był widoczny. W przeciwnym razie akumulator może przypadkowo wysunąć się z odbiornika radiowego, raniąc operatora lub osoby postronne.
- Przy montażu akumulatora nie wolno używać siły. Jeśli nie można go swobodnie wsunąć, prawdopodobnie został on nieprawidłowo włożony.
- Aby wyjąć akumulator, należy przesunąć przycisk znajdujący się w przedniej jego części i wysunąć akumulator z odbiornika radiowego lub nacisnąć

jednocześnie przyciski znajdujące się po obu jego bokach.

Ponownie zamocować pokrywę przedziału na akumulatory w odpowiednim położeniu.

Pojawienie się spadku mocy, zniekształceń i zakłóceń oznacza konieczność wymiany akumulatora.

Uwaga:

Akumulator nie może być ładowany za pomocą dostarczonego zasilacza prądu zmiennego.

Montaż lub demontaż zespołu akumulatorów (Rys. 7 i 8)

UWAGA:

Przed demontażem akumulatora należy zawsze wyłączyć odbiornik radiowy.

- Aby włożyć akumulator, wystarczy wyrównać występ na akumulatorze ze szczeliną w obudowie i wsunąć go na miejsce.
- Aby zdemontować akumulator, należy wysunąć go, naciskając przyciski znajdujące się z boków akumulatora.

Ponownie zamocować pokrywę przedziału na akumulatory w odpowiednim położeniu.

Pojawienie się spadku mocy, zniekształceń i zakłóceń oznacza konieczność wymiany akumulatora.

Uwaga:










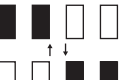
Akumulator nie może być ładowany za pomocą dostarczonego zasilacza prądu zmiennego.

Wskazywanie stanu naładowania akumulatora (Rys. 9)

Dotyczy wyłącznie akumulatorów z symbolem „B” na końcu numeru modelu

Nacisnąć przycisk Check (sprawdź) na akumulatorze w celu wskazania poziomu naładowania akumulatora.

Kontrolki zaświecą się na kilka sekund.

Kontrolki			Poziom naładowania
 Świeci się	 Nie świeci się	 Pulsuje	
			75% do 100%
			50% do 75%
			25% do 50%
			0% do 25%
			Naładować akumulator.
			Mogła wystąpić usterka akumulatora.

Uwaga:

- Zależnie od warunków użytkowania i temperatury otoczenia, wskazywany poziom może nieznacznie się różnić od rzeczywistego poziomu naładowania akumulatora.

Montaż giętkiej anteny (Rys. 10 i 11)

Zamontować giętką antenę zgodnie z rysunkiem.

Uwaga:

W przedziale na akumulatory znajduje się miejsce przeznaczone na przechowywanie zdemontowanej anteny.

Korzystanie z dostarczonego zasilacza prądu zmiennego (Rys. 12)

Zdjąć gumowe zabezpieczenie, a następnie wsunąć wtyczkę zasilacza do wejścia prądu stałego, znajdującego się z przodu odbiornika radiowego. Podłączyć zasilacz do standardowego gniazdka elektrycznego. W przypadku każdorazowego użycia zasilacza, akumulator jest automatycznie odłączony. Zasilacz prądu zmiennego powinien być odłączony od zasilania, jeżeli nie jest używany.

OBSŁUGA

Odbiornik radiowy posiada trzy metody strojenia – strojenie automatyczne, strojenie ręczne, przywoływanie za pomocą przycisków programowalnych z pamięcią.

Wybieranie stacji – DAB

1. Włączyć odbiornik radiowy, naciskając przycisk Power (zasilanie).
2. Wybrać tryb DAB poprzez naciśnięcie przycisku Band (pasmo częstotliwości).
3. Nacisnąć przycisk Advanced (ustawienie zaawansowane) i obracać pokrętle głośności/strojenia/wyboru do momentu wyświetlenia na ekranie migającej opcji „Station List” (lista stacji). Nacisnąć pokrętle głośności/strojenia/wyboru w celu potwierdzenia listy stacji.
4. Obrócić pokrętle głośności/strojenia/wyboru w celu przewinięcia listy dostępnych stacji. Nacisnąć pokrętle w celu wybrania stacji.
5. Ustawić wymagany poziom głośności poprzez obrócenie pokręta głośności/strojenia/wyboru.

Tryby wyświetlania – DAB

Niniejszy odbiornik radiowy posiada kilka opcji wyświetlania dla trybu DAB:

Nacisnąć przycisk Info, aby przewinąć dostępne opcje wyświetlane wg następujących liter (od a do g).

- a. Station name (nazwa stacji)
Wskazuje nazwę aktualnie słuchanej stacji.
- b. Program type (typ programu)
Wskazuje typ aktualnie słuchanej stacji. Np. Pop, Classics, News itp.
- c. Multiplex name (nazwa multiplexu)
Wskazuje nazwę multiplexu DAB, do którego należy obecnie słuchana stacja.
- d. Time & date (data i godzina)
Wskazuje bieżącą datę i godzinę.
- e. Frequency and channel (częstotliwość i kanał)
Wskazuje częstotliwość oraz numer kanału obecnie słuchanej stacji nadawanej w systemie DAB.
- f. Bit rate/Audio type (prędkość transmisji bitów/typ audio)
Wskazuje cyfrową prędkość transmisji bitów oraz typ audio obecnie słuchanej stacji nadawanej w systemie DAB.
- g. Signal strength (siła sygnału)
Wskazuje siłę sygnału obecnie słuchanej stacji nadawanej w systemie DAB.

Wyszukiwanie nowych stacji – DAB

Od czasu do czasu mogą pojawiać się nowe stacje radiowe nadawane w systemie DAB. Istnieje również możliwość zmiany miejsca pobytu w innej części kraju. W takich przypadkach może zaistnieć konieczność ponownego włączenia strojenia odbiornika radiowego w celu wyszukania nowych stacji.

W celu umożliwienia wyszukania dostępnych stacji zaleca się przeprowadzenie pełnego strojenia pasma III częstotliwości DAB.

1. Nacisnąć przycisk Auto tune (strojenie automatyczne).
2. Odbiornik radiowy przeprowadzi pełne strojenie częstotliwości DAB. Po wyszukaniu nowych stacji wskazanie licznika stacji znajdującego się po lewej

stronie wyświetlacza wzrośnie, a stacje zostaną dodane do listy.

Strojenie ręczne – DAB

Strojenie ręczne umożliwia przeprowadzenie strojenia odbiornika radiowego w zakresie określonej częstotliwości w paśmie III. Funkcję tę można również stosować w celu lepszego ustawienia anteny lub odbiornika radiowego, tak aby zoptymalizować odbiór danego kanału lub częstotliwości.

1. Nacisnąć przycisk Advanced (ustawienie zaawansowane) i obracać pokrętkiem głośności/strojenia/wyboru do momentu wyświetlenia na ekranie opcji „Manual Tune” (strojenie ręczne). Nacisnąć pokrętko głośności/strojenia/wyboru w celu potwierdzenia trybu strojenia ręcznego.
2. Obrócić pokrętkiem głośności/strojenia/wyboru w celu wybrania wymaganego kanału DAB. Nacisnąć pokrętko głośności/strojenia/wyboru w celu potwierdzenia wybranej częstotliwości.

Ustawienie kolejności stacji – DAB

Niniejszy odbiornik radiowy posiada 3 rodzaje ustawień kolejności stacji do wyboru. Dostępne ustawienia kolejności stacji to: kolejność alfanumeryczna, grupowa oraz wg dostępności.

1. Nacisnąć przycisk Advanced (ustawienie zaawansowane).
2. Obracać pokrętkiem głośności/strojenia/wyboru do momentu pojawienia się na wyświetlaczu opcji „Station order” (kolejność stacji), a następnie nacisnąć pokrętko głośności/strojenia/wyboru w celu potwierdzenia ustawienia.
3. Obrócić pokrętkiem głośności/strojenia/wyboru w celu wybrania następujących opcji, a następnie nacisnąć pokrętko, aby potwierdzić ustawienie.

Alphanumeric (kolejność alfanumeryczna)	Sortuje listę stacji alfanumerycznie 0...9 A...Z
Ensemble (grupowa)	Organizuje listę stacji wg multipleksu DAB
Valid (dostępność)	Wskazuje te stacje, których sygnał można wyszukać

Kontrola dynamiki sygnału (DRC) – DAB

Funkcja DRC umożliwia dopasowanie cichych dźwięków w celu ich lepszego słyszalności w przypadku słuchania odbiornika radiowego w środowisku o dużym natężeniu hałasu poprzez zredukowanie zakresu dynamicznego sygnału audio. Istnieją trzy poziomy kompresji zakresu dynamicznego:

DRC 0	Brak kompresji zakresu dynamicznego.
DRC 1/2	Średnia kompresja zakresu dynamicznego.
DRC 1	Maksymalna kompresja zakresu dynamicznego.

1. Włączyć odbiornik radiowy, naciskając przycisk Power (zasilanie).
2. Wybrać pasmo DAB poprzez naciśnięcie przycisku Band (pasmo częstotliwości).
3. Nacisnąć przycisk Advanced (ustawienie zaawansowane) i obracać pokrętkiem głośności/

strojenia/wyboru do momentu wyświetlenia na ekranie opcji „DRC Value” (wartość DRC). Następnie nacisnąć pokrętko głośności/strojenia/wyboru w celu potwierdzenia ustawienia. Na wyświetlaczu pojawi się aktualna wartość DRC.

4. Obrócić pokrętkiem głośności/strojenia/wyboru w celu wybrania wymaganego ustawienia DRC.
5. Nacisnąć pokrętko głośności/strojenia/wyboru w celu potwierdzenia ustawienia.

Strojenie automatyczne – FM

1. Włączyć odbiornik radiowy, naciskając przycisk Power (zasilanie).
2. Wybrać wymagane pasmo częstotliwości poprzez naciśnięcie przycisku Band (pasmo częstotliwości). Upewnić się, że miękka, giętka antena została prawidłowo ustawiona w celu uzyskania najlepszego sygnału pasma częstotliwości FM. Unikać ustawienia odbiornika radiowego w pobliżu ekranu komputera lub innego sprzętu, mogącego przyczynić się do zakłócenia pracy odbiornika radiowego.
3. Nacisnąć przycisk Auto tune (strojenie automatyczne). Odbiornik radiowy rozpocznie wyszukiwanie stacji, a po jej znalezieniu automatycznie zatrzyma strojenie. Odbiornik radiowy ponownie rozpocznie wyszukiwanie następną dostępną stacją dopóki użytkownik nie naciśnie przycisku Auto tune (strojenie automatyczne) w celu zatrzymania strojenia.
4. Obrócić pokrętkiem głośności/strojenia/wyboru w celu ustawienia wymaganego poziomu głośności. Na wyświetlaczu LCD zostanie wyświetlona zmiana poziomu głośności.

Uwaga:

W celu wyszukania wymaganej stacji za pomocą pokrętki głośności/strojenia/wyboru należy nacisnąć i przytrzymać pokrętko głośności/strojenia/wyboru, aby włączyć tryb strojenia.

5. Aby wyłączyć odbiornik radiowy, należy nacisnąć przycisk Power (zasilanie).

Strojenie FM

W przypadku korzystania z trybu FM, niniejszy odbiornik radiowy można ustawić na strojenie stacji lokalnych lub strojenie wszystkich stacji, włączając odległe stacje radiowe.

Strojenie ręczne – FM

1. Włączyć odbiornik radiowy, naciskając przycisk Power (zasilanie).
2. Nacisnąć przycisk Band (pasmo częstotliwości) w celu wybrania wymaganego pasma częstotliwości. Ustawić antenę zgodnie z powyższym opisem.
3. Obracać pokrętkiem głośności/strojenia/wyboru powoduje przyrost częstotliwości o: FM: 50 lub 100 kHz

Uwaga:

W celu wyszukania wymaganej stacji za pomocą pokrętki głośności/strojenia/wyboru należy nacisnąć i przytrzymać pokrętko głośności/strojenia/wyboru, aby włączyć tryb strojenia.

4. Obracać pokrętkiem głośności/strojenia/wyboru do momentu ustawienia wymaganej częstotliwości wskazanej na wyświetlaczu.

- Obrócić pokrętkiem głośności/strojenia/wyboru w celu ustawienia wymaganego poziomu głośności.
- Aby wyłączyć odbiornik radiowy, należy nacisnąć przycisk Power (zasilanie).

Tryby wyświetlania – FM

Niniejszy odbiornik radiowy posiada kilka opcji wyświetlania dla trybu FM:

Naciskanie kilkakrotnie przycisku Info powoduje przewijanie różnych opcji.

- Program station (stacja programu)
Wskazuje nazwę aktualnie słuchanej stacji.
- Radio text (komunikaty radiowe)
Wskazuje komunikaty tekstowe odbiornika radiowego, np. nowe pozycje itp.
- Program type (rodzaj programu)
Wyświetla rodzaj aktualnie słuchanej stacji, np. Pop, Classic, News itp.
- Time & date (data i godzina)
Wskazuje bieżącą datę i godzinę.
- Frequency (częstotliwość)
Wskazuje częstotliwość sygnału FM.

Programowanie stacji w pamięciach przycisków programowalnych (DAB i FM)

Odbiornik radiowy posiada 5 przycisków programowalnych dla każdego pasma częstotliwości.

- Włączyć odbiornik radiowy, naciskając przycisk Power (zasilanie).
- Ustawić wymaganą stację za pomocą jednej z wcześniej opisanych metod.
- Nacisnąć i przytrzymać wymagany przycisk Preset (przycisk programowalny) do momentu wyświetlenia numeru przycisku programowalnego, na przykład: „P2 Saved” (P2 zapisany). Stacja zostanie zapisana pod wybranym przyciskiem Preset (przyciskiem programowalnym).
- Powtórzyć powyższą procedurę dla pozostałych przycisków programowalnych.
- Stacje zapisane w pamięciach przycisków programowalnych mogą być nadpisane zgodnie z powyższą procedurą.

Przywoływanie stacji z pamięci przycisków programowalnych (DAB i FM)

- Włączyć odbiornik radiowy, naciskając przycisk Power (zasilanie).
- Nacisnąć przycisk Band (pasmo częstotliwości) w celu wybrania wymaganego pasma częstotliwości.
- Nacisnąć na chwilę wymagany przycisk Preset (przycisk programowalny). Numer przycisku programowalnego oraz częstotliwość stacji radiowej pojawią się na wyświetlaczu.

Opcje wersji językowej (dostępne wyłącznie w przypadku DMR110)

W odbiorniku radiowych dostępnych jest osiem opcji wersji językowej: angielska, niemiecka, włoska, francuska, holenderska, duńska, norweska i polska.

- Nacisnąć przycisk Advanced (ustawienie zaawansowane).
- Obracać pokrętkiem głośności/strojenia/wyboru do momentu wyświetlenia opcji „Language” (język) na wyświetlaczu. Nacisnąć pokrętko głośności/strojenia/wyboru w celu potwierdzenia ustawienia.
- Obrócić pokrętkiem głośności/strojenia/wyboru w celu wybrania wymaganego języka. Nacisnąć pokrętko głośności/strojenia/wyboru w celu potwierdzenia ustawienia.

Ustawienie jasności

Istnieje możliwość ustawienia podświetlenia wyświetlacza.

- Nacisnąć przycisk Advanced (ustawienie zaawansowane).
- Obracać pokrętkiem głośności/strojenia/wyboru do momentu wyświetlenia opcji „Backlight” (podświetlenie) na wyświetlaczu. Nacisnąć pokrętko głośności/strojenia/wyboru w celu potwierdzenia ustawienia.
- Obrócić pokrętkiem głośności/strojenia/wyboru w celu wybrania opcji włączenia lub wyłączenia funkcji podświetlenia, a następnie nacisnąć pokrętko głośności/strojenia/wyboru, aby potwierdzić ustawienie.

Resetowanie systemu

W przypadku nieprawidłowego działania odbiornika radiowego lub braku wyświetlania wszystkich cyfr na wyświetlaczu, należy przeprowadzić następującą procedurę.

- Nacisnąć przycisk Advanced (ustawienie zaawansowane).
- Obracać pokrętkiem głośności/strojenia/wyboru do momentu wyświetlenia opcji „Factory Reset” (ustawienia fabryczne) na wyświetlaczu. Nacisnąć pokrętko głośności/strojenia/wyboru w celu potwierdzenia ustawienia.
- Obrócić pokrętkiem głośności/strojenia/wyboru w celu wybrania opcji „Yes” (tak). Nacisnąć pokrętko głośności/strojenia/wyboru w celu potwierdzenia ustawienia i całkowitego zresetowania ustawień.

Wersja oprogramowania

- Nacisnąć przycisk Advanced (ustawienie zaawansowane).
- Obracać pokrętkiem głośności/strojenia/wyboru do momentu wyświetlenia opcji „SW Version” (wersja oprogramowania) na wyświetlaczu. Nacisnąć pokrętko głośności/strojenia/wyboru w celu wyświetlenia wersji oprogramowania zainstalowanego w odbiorniku radiowym.

Port micro USB umożliwiający aktualizację oprogramowania

W przyszłości istnieje możliwość dostępnosci aktualizacji oprogramowania posiadanego odbiornika radiowego.

Na stronie internetowej firmy Makita udostępniane są informacje dotyczące dostępności nowych aktualizacji oprogramowania oraz sposobu ich przeprowadzenia w odbiorniku radiowym.

Jak odtwarzać z innych źródeł audio

UWAGA:

Przed podłączeniem innego źródła audio urządzenie należy odłączyć od sieci.

- W urządzeniu znajdują się 2 gniazda wejścia AUX. AUX IN 1 znajduje się na przednim panelu, AUX IN 2 w przedziale na akumulatory.
- Podłączyć źródło sygnału stereo lub mono (np. iPod, MP3 lub odtwarzacz CD) do wejścia AUX IN 1 lub AUX IN 2 za pomocą przewodu audio.
- Po kilkakrotnym naciśnięciu i zwolnieniu przycisku Band (pasma częstotliwości) na wyświetlaczu pojawi się napis „AU1” lub „AU2”, a funkcja AUX zostanie włączona.

KONSERWACJA

UWAGA:

- Nie wolno używać benzyny, benzenu, rozpuszczalnika, alkoholu itp. Substancje takie mogą spowodować odbarwienia, odkształcenia lub pęknięcia.

DANE TECHNICZNE

Dane dotyczące zasilania

Zasilacz prądu zmiennego	12 V DC, 1 A, środkowy wtyk dodatni
Akumulator	Zespół akumulatorów: 7,2 V - 10,8 V Akumulator wsuwany: 10,8 V - 18 V
Zakres częstotliwości	FM 87,50-108 MHz DAB/DAB+ 174,928 - 239,200 MHz
DAB/DAB+ Blokada kanału	DAB (pasma III) 5A-13F
Zgodność ze standardem	DAB (DMR109) DAB/DAB+ (DMR110)

Charakterystyka obwodu

Głośnik	3 cale 8 omów
Moc wyjściowa	7,2 V: 0,5 W x 2 10,8 V: 1,2 W x 2 14,4 V: 2,2 W x 2 18 V: 3,5 W x 2
Gniazdo wejścia	Śred. 3,5 mm (wejście AUX IN1/ AUX IN2)
System antenowy	DAB/FM: giętka antena
Wymiary (dł. x szer. x wys.) w mm	280 x 163 x 302
Masa	4,0 kg (bez akumulatora)

استدعاء المحطات من ذواكر الضبط المسبق (DAB و FM)

1. اضغط زر الطاقة لتشغيل الراديو.
2. اضغط زر الموجة لاختيار نطاق الموجة المرغوب.
3. اضغط زر الضبط المسبق المرغوب ضغطة قصيرة. سوف يظهر رقم وتردد المحطة المضبوطة مسبقاً على الشاشة.

خيارات اللغة (متوفرة في DMR110 فقط)

توجد ثمانية خيارات للغة في الراديو: الإنجليزية، الألمانية، الإيطالية، الفرنسية، الهولندية، الدنماركية، الزوجية، البولندية.

1. اضغط زر الإعدادات المتقدمة.
2. قم بتدوير مقبض التحكم بمستوى الصوت/التوليف/الاختيار إلى أن تظهر "اللغة" على الشاشة. اضغط مقبض التحكم بمستوى الصوت/التوليف/الاختيار للدخول إلى الإعداد.
3. قم بتدوير مقبض التحكم بمستوى الصوت/التوليف/الاختيار لاختيار اللغة المرغوبة. اضغط مقبض التحكم بمستوى الصوت/التوليف/الاختيار لتأكيد الإعداد.

كيفية تشغيل الأجهزة الصوتية الأخرى

⚠تنبيه:

- افصل هذا الجهاز عن مصدر الطاقة قبل توصيل أجهزة صوتية أخرى.
- يوجد مقبسا إدخال AUX IN. يوجد مقبس AUX IN 1 على اللوحة الأمامية ومقبس AUX IN 2 في حجرة البطارية.
 - قم بتوصيل مصدر صوت ستيريو أو أحادي (iPod أو MP3 أو مشغل CD مثلاً) بمقبس AUX IN 1 أو AUX IN 2 بواسطة سلك الصوت.
 - اضغط زر الموجة وارفع إصبعك عنه بشكل متكرر إلى أن تظهر كلمة "AU1" أو "AU2"، وعندها يتم تفعيل وظيفة AUX.

الصيانة

⚠تنبيه:

- لا تقم أبداً باستخدام البنزين أو النثر أو الكحول أو ما إلى ذلك. القيام بذلك قد يؤدي إلى تغير اللون أو التشوه أو التثقيب.

المواصفات

متطلبات الطاقة

محول طاقة التيار المتردد	تيار مباشر 12 فولط 1 أمبير، رأس مركزي موجب
البطارية	مجموعة البطاريات: 7.2 فولط - 10.8 فولط البطارية المنزلفة: 10.8 فولط - 18 فولط
مجال التردد	FM: 87.50 - 108 ميجاهرتز DAB/DAB+: 174.928 - 239.200 ميجاهرتز

مجموعة قنوات DAB/DAB+	DAB (الموجة III Band III) 13F-5A
المعيار المتوافق	DAB (DMR109) DAB/DAB+ (DMR110)

مواصفات الدارة

مكبر الصوت	3 بوصة 8 أوم
طاقة الإخراج	7.2 فولط: 0.5 واط X 2 10.8 فولط: 1.2 واط X 2 14.4 فولط: 2.2 واط X 2 18 فولط: 3.5 واط X 2
طرف الإدخال	قطر 3.5 مم (AUX IN1/AUX IN2)
نظام الهوائي	DAB/FM: عمود هوائي مرن
الأبعاد (طول x عرض x ارتفاع) بالمليمتر	302 x 163 x 280

الوزن 4.0 كجم (بدون البطارية)

التحكم بالسطوع

- يمكنك تعديل إضاءة الشاشة الخلفية.
1. اضغط زر الإعدادات المتقدمة.
 2. قم بتدوير مقبض التحكم بمستوى الصوت/التوليف/الاختيار إلى أن تظهر "الإضاءة الخلفية" على الشاشة. اضغط مقبض التحكم بمستوى الصوت/التوليف/الاختيار للدخول إلى الإعداد.
 3. قم بتدوير مقبض التحكم بمستوى الصوت/التوليف/الاختيار لاختيار تشغيل أو إيقاف وظيفة الإضاءة الخلفية، ثم اضغط مقبض التحكم بمستوى الصوت/التوليف/الاختيار لتأكيد الإعداد.

إعادة ضبط النظام

- إذا لم يعمل الراديو بشكل صحيح أو إذا كانت هناك خانات ناقصة أو غير مكتملة على الشاشة، قم بتنفيذ الإجراء التالي.
1. اضغط زر الإعدادات المتقدمة.
 2. قم بتدوير مقبض التحكم بمستوى الصوت/التوليف/الاختيار إلى أن تظهر "إعادة ضبط إعدادات المصنع" على الشاشة. اضغط مقبض التحكم بمستوى الصوت/التوليف/الاختيار للدخول إلى الإعداد.
 3. قم بتدوير مقبض التحكم بمستوى الصوت/التوليف/الاختيار لاختيار "نعم".
- اضغط مقبض التحكم بمستوى الصوت/التوليف/الاختيار لتأكيد الإعداد فتم إعادة الضبط بشكل كامل.

إصدار البرنامج

1. اضغط زر الإعدادات المتقدمة.
2. قم بتدوير مقبض التحكم بمستوى الصوت/التوليف/الاختيار إلى أن تظهر "إصدار البرنامج" على الشاشة. اضغط مقبض التحكم بمستوى الصوت/التوليف/الاختيار لعرض إصدار برنامج الراديو.

منفذ USB صغير للترقية البرنامج

قد تتوفر تحديثات لبرنامج الراديو في المستقبل.
عند توفر تحديثات للبرنامج يمكنك العثور على معلومات حول البرنامج وكيفية تحديث الراديو على موقع Makita على الإنترنت.

إعداد ترتيب المحطات – DAB

يضم الراديو 3 إعدادات لترتيب المحطات يمكنك الاختيار منها. إعدادات ترتيب المحطات هي أبجدية عددية ومجموعات ومحطات فعالة.

1. اضغط زر الإعدادات المتقدمة.
2. قم بتدوير مقيض التحكم بمستوى الصوت/التوليف/الاختيار إلى أن يظهر "ترتيب المحطات" على الشاشة، ثم اضغط مقيض التحكم بمستوى الصوت/التوليف/الاختيار للدخول إلى الإعداد.
3. قم بتدوير مقيض التحكم بمستوى الصوت/التوليف/الاختيار لاختيار الخيارات التالية و اضغط المقيض لتأكيد الإعداد.

أبجدية عددية
يتم ترتيب قائمة المحطات بشكل أبجدي عددي Z...A 9...0
مجموعات
يتم ترتيب قائمة المحطات حسب مركز إرسال DAB المتعدد
فعالة
يتم عرض المحطات التي يمكن العثور على إشارتها فقط

تحكم النطاق الديناميكي (DRC) – DAB

تجعل ميزة DRC سماع الأصوات الخافتة أسهل عند تشغيل الراديو في بيئة صاخبة وذلك عن طريق خفض النطاق الديناميكي لإشارة الراديو. هناك ثلاثة مستويات للضغط:

- 0 DRC لا يتم الضغط.
 - 1/2 DRC يتم الضغط بشكل متوسط.
 - 1 DRC يتم الضغط إلى الحد الأقصى.
1. اضغط زر الطاقة لتشغيل الراديو.
 2. اضغط زر الموجة لاختيار موجة DAB.
 3. اضغط زر الإعدادات المتقدمة وقم بتدوير مقيض التحكم بمستوى الصوت/التوليف/الاختيار إلى أن تظهر "قيمة DRC" على الشاشة. ثم اضغط مقيض التحكم بمستوى الصوت/التوليف/الاختيار للدخول إلى الإعداد. تظهر قيمة DRC الحالية على الشاشة.
 4. قم بتدوير مقيض التحكم بمستوى الصوت/التوليف/الاختيار لإعداد DRC المرغوب.
 5. اضغط مقيض التحكم بمستوى الصوت/التوليف/الاختيار لتأكيد الإعداد.

توليف الاستطلاع – FM

1. اضغط زر الطاقة لتشغيل الراديو.
2. قم باختيار نطاق الموجة المرغوب بالضغط على زر الموجة. احرص على ضبط عمود الهوائي المرن على أفضل وضعية لاستقبال موجة FM. تجنب تشغيل الراديو بجانب شاشة الكمبيوتر أو الأجهزة الأخرى التي تؤدي إلى التشويش عليه.
3. اضغط زر التوليف التلقائي فيقوم الراديو بالبحث والتوقف تلقائياً عند العثور على محطة راديو. يستمر الراديو بحثاً عن المحطة التالية المتوفرة إلا إذا قمت بضغط زر التوليف التلقائي لإيقاف عملية الاستطلاع.
4. قم بتدوير مقيض التحكم بمستوى الصوت/التوليف/الاختيار لضبط مستوى الصوت المرغوب. تظهر تغيرات مستوى الصوت على شاشة LCD.

ملاحظة:

تلتصق من استخدام مقيض التحكم بمستوى الصوت/التوليف/الاختيار للعثور على المحطة المرغوبة، اضغط مقيض التحكم بمستوى الصوت/التوليف/الاختيار مطولاً للانتقال إلى وضع التحكم بالتوليف.

5. لإيقاف تشغيل الراديو، اضغط زر الطاقة.

نطاق استطلاع FM

عند استخدام وضع FM يمكن ضبط الراديو ليقيم باستطلاع المحطات المحلية أو جميع المحطات بما فيها محطات الراديو البعيدة.

التوليف اليدوي – FM

1. اضغط زر الطاقة لتشغيل الراديو.
2. اضغط زر الموجة لاختيار نطاق الموجة المرغوب. قم بتعديل الهوائي كما سبق وتم التوضيح.
3. تدوير مقيض التحكم بمستوى الصوت/التوليف/الاختيار يؤدي إلى تغيير التردد على خطوات كالتالي: FM: 50 أو 100 كيلوهرتز

ملاحظة:

1. تلتصق من استخدام مقيض التحكم بمستوى الصوت/التوليف/الاختيار للعثور على المحطة المرغوبة، اضغط مقيض التحكم بمستوى الصوت/التوليف/الاختيار مطولاً للانتقال إلى وضع التحكم بالتوليف.
2. تابع تدوير مقيض التحكم بمستوى الصوت/التوليف/الاختيار إلى أن يظهر التردد المطلوب على الشاشة.
3. قم بتدوير مقيض التحكم بمستوى الصوت/التوليف/الاختيار لضبط مستوى الصوت المرغوب.
4. لإيقاف تشغيل الراديو، اضغط زر الطاقة.

أوضاع الشاشة – FM

يضم الراديو مجموعة من خيارات الشاشة الخاصة بوضع راديو FM: اضغط زر المعلومات بشكل متكرر للتنقل بين الخيارات المختلفة.

- a. محطة البرنامج
 - b. نص الراديو
 - c. نوع البرنامج
 - d. الوقت والتاريخ
 - e. التردد
- يبين اسم المحطة التي يتم الاستماع إليها حالياً.
يبين رسالة نص كالبثود الجديدة...الخ.
يبين نوع المحطة التي يتم الاستماع إليها حالياً كمحطة بوب، كلاسيك، أخبار...الخ.
يبين الوقت والتاريخ الحاليين.
يبين تردد إشارة FM.

حفظ المحطات في ذواكر الضبط المسبق (DAB و FM)

هناك 5 ذواكر ضبط مسبق لكل نطاق موجة.

1. اضغط زر الطاقة لتشغيل الراديو.
2. قم بتوليف المحطة المرغوبة باتباع إحدى الطرق التي سبق شرحها.
3. اضغط مطولاً على زر الضبط المسبق المرغوب إلى أن يظهر رقم الضبط المسبق على الشاشة، مثلاً "تم حفظ P2". يتم عندئذ حفظ المحطة في زر الضبط المسبق المختار.
4. كرر هذا الإجراء لضبط ذواكر الضبط المسبق الباقية.
5. يمكن تغيير المحطات المحفوظة في ذواكر الضبط المسبق باتباع الإجراءات المبينة أعلاه.

لا يمكن شحن البطارية باستخدام محول طاقة التيار المتردد المرفق.

مؤشرات شحنة البطارية المتبقية (الشكل التوضيحي 9)

فقط لعلب البطارية التي تضم الحرف "B" في نهاية رقم الموديل
اضغط زر التأكد الموجود على علبة البطارية لعرض مؤشر شحنة البطارية
المتبقية. تضيء لمبات المؤشر لبطع ثوان.

الشحنة المتبقية	لمبات المؤشر		
	يومض	مطفأ	مضيء
75% إلى 100%	■	■	■
50% إلى 75%	■	■	□
25% إلى 50%	■	□	□
0% إلى 25%	■	□	□
اشحن البطارية.	■	□	□
قد تكون البطارية مصابة بخلل ما.	■	□	□
	□	□	■

ملاحظة:

• قد يختلف المؤشر عن الشحنة الفعلية قليلا وفقا لظروف الاستخدام والحرارة المحيطة.

تركيب عمود الهوائي المرن (الشكل التوضيحي 10 و 11)

قم بتركيب عمود الهوائي المرن كما هو مبين في الشكل التوضيحي.

ملاحظة:

هناك فراغ في حجرة البطارية مخصص لتخزين الهوائي بعد فكه.

استخدام محول طاقة التيار المتردد المرفق (الشكل التوضيحي 12)

انزع الغطاء المطاطي وأدخل قابس المحول في مقبس التيار المباشر على الجهة الأمامية من الراديو. قم بتوصيل المحول بمأخذ تيار كهربائي عادي. يتم فصل البطارية تلقائيا عند استخدام المحول. يجب فصل محول التيار المتردد عن مصدر الطاقة الرئيسي عندما لا يتم استخدامه.

اختيار محطة - DAB

1. اضغط زر الطاقة لتشغيل الراديو.
2. قم باختيار وضع DAB بالضغط على زر الموجة.
3. اضغط زر الإعدادات المتقدمة وقم بتدوير مقبض التحكم بمستوى الصوت/التوليف/الاختيار إلى أن تبدأ "قائمة المحطات" بالوميض على الشاشة.
4. اضغط مقبض التحكم بمستوى الصوت/التوليف/الاختيار للدخول إلى قائمة المحطات.
5. قم بتدوير مقبض التحكم بمستوى الصوت/التوليف/الاختيار لترميز قائمة المحطات المتوفرة. اضغط المقبض لاختيار المحطة.

أوضاع الشاشة - DAB

يضم الراديو مجموعة من خيارات الشاشة في وضع DAB:

اضغط زر المعلومات للتنتقل بين الخيارات المتعددة المبينة في البنود التالية (الحروف من a إلى g).

- a. اسم المحطة
 - b. نوع البرنامج
 - c. اسم مركز الإرسال المتعدد
 - d. الوقت والتاريخ
 - e. التردد والقناة
 - f. معدل البت/نوع الصوت
 - g. قوة الإشارة
- يبين اسم المحطة التي يتم الاستماع إليها حاليا.
يبين نوع المحطة التي يتم الاستماع إليها حاليا.
مثال: محطة بوب، كلاسيك، أخبار... الخ.
يبين اسم مركز إرسال DAB المتعدد الذي تنتمي إليه المحطة الحالية.
يبين الوقت والتاريخ الحاليين.
يبين تردد ورقم قناة محطة DAB الموفرة حاليا.
يبين معدل بت الصوت الرقمي ونوع الصوت في محطة DAB الموفرة حاليا.
يبين قوة إشارة محطة DAB الموفرة حاليا.

العثور على محطات جديدة - DAB

قد تتوفر من حين إلى آخر محطات راديو DAB جديدة. أو ربما تكون قد ذهبت إلى منطقة أخرى في البلد. تحتاج في هذه الحالة إلى تشغيل الراديو لاستطلاع المحطات الجديدة.

لكي يتمكن الراديو من العثور على المحطات المتوفرة، يوصى بالقيام باستطلاع كامل لجميع ترددات موجة Band III في DAB.

1. اضغط زر التوليف التلقائي.
2. يقوم الراديو باستطلاع كامل لترددات DAB. حين يتم العثور على محطات جديدة، يزداد الرقم الظاهر في عداد المحطات الموجود على يسار الشاشة وتتم إضافة المحطات إلى القائمة.

التوليف اليدوي - DAB

التوليف اليدوي يسمح لك بتوليف الراديو على تردد DAB معين في الموجة Band III. كما يمكن استخدام هذه الوظيفة للمساعدة على ضبط موضع الهوائي أو الراديو لتحسين استقبال قناة محددة أو تردد محدد قدر الإمكان.

1. اضغط زر الإعدادات المتقدمة وقم بتدوير مقبض التحكم بمستوى الصوت/التوليف/الاختيار إلى أن يظهر "توليف يدوي" على الشاشة. اضغط مقبض التحكم بمستوى الصوت/التوليف/الاختيار لضبط وضع التوليف اليدوي.
2. قم بتدوير مقبض التحكم بمستوى الصوت/التوليف/الاختيار لاختيار قناة DAB المرغوبة. اضغط مقبض التحكم بمستوى الصوت/التوليف/الاختيار لتأكيد التردد المختار.

يشير الجدول التالي إلى مدة التشغيل باستخدام بطارية مشحونة بالكامل.

إخراج مكبر الصوت = 50 ميلي واط + 50 ميلي واط (الوحدة: ساعة (تقريباً))	فولطية علبه البطارية				سعة البطارية
	18 فولط	14.4 فولط	10.8 فولط	7.2 فولط	
4.5 ساعات				BL7010	1.0 أمبير ساعي
5.5 ساعات			BL1013		1.3 أمبير ساعي
5.0 ساعات		BL1415			
6.0 ساعات	BL1815				
6.5 ساعات				BL0715	1.5 أمبير ساعي
8.0 ساعات			BL1015		
7.0 ساعات		BL1415N			
7.5 ساعات	BL1815N				2.0 أمبير ساعي
10 ساعات	BL1820 BL1820B		BL1020B		
11 ساعة		BL1430 BL1430B			3.0 أمبير ساعي
14 ساعة	BL1830 BL1830B				
20 ساعة	BL1840 BL1840B		BL1040B		4.0 أمبير ساعي
18 ساعة		BL1440			
22 ساعة		BL1450			5.0 أمبير ساعي
25 ساعة	BL1850 BL1850B				
24 ساعة		BL1460B			6.0 أمبير ساعي
31 ساعة	BL1860B				

□ : مجموعة بطاريات □ : بطارية منزقة

* تستند مدة التشغيل إلى التشغيل بوضع DAB/DAB+ عند الشحن مرة واحدة.
* قد تختلف مدة التشغيل اعتماداً على نوع البطارية وحالة الشحن وظروف الاستخدام.

قم بإعادة قفل حجيرة البطارية إلى موضعه الأصلي.
انخفاض الطاقة والتشويش و "الصوت المنقطع" هي إشارات تدل على ضرورة استبدال البطارية.

ملاحظة:

لا يمكن شحن البطارية باستخدام محول طاقة التيار المتردد المرفق.

تركيب أو نزع علبه مجموعة البطاريات (الشكل التوضيحي 7 و 8)

⚠ تنبيه:

- اضبط الراديو على وضع الإيقاف دائماً قبل نزع علبه البطارية.
- لإدخال علبه البطارية، قم بمحاذاة لسان علبه البطارية مع أخدود العلبه وأدخلها في مكانها.
- نزع علبه البطارية، قم بإخراج البطارية من الطرف مع ضغط الأزرار الموجودة على جانب العلبه.
- قم بإعادة قفل حجيرة البطارية إلى موضعه الأصلي.
- انخفاض الطاقة والتشويش و "الصوت المنقطع" هي إشارات تدل على ضرورة استبدال البطارية.

التركيب

تركيب أو نزع علبه البطارية المنزقة (الشكل التوضيحي 4 - 6)

⚠ تنبيه:

- اضبط الراديو على وضع الإيقاف دائماً قبل نزع علبه البطارية.
- لتركيب علبه البطارية، قم بمحاذاة لسان علبه البطارية مع أخدود العلبه وأدخلها في مكانها. قم دائماً بإدخالها بالكامل إلى أن يتم قفلها في مكانها مع صدور صوت طقة خفيف.
- إذا كان المؤشر الأحمر الموجود على الجهة العلوية من الزر ظاهراً فذلك يعني بأنه لم يتم قفلها بشكل كامل. قم بتركيبها بشكل كامل إلى أن لا يعود المؤشر الأحمر ظاهراً. عدم القيام بذلك قد يتسبب في سقوط العلبه من الراديو مما يؤدي إلى تعرضك أو تعرض الأشخاص الآخرين القريبين منك للإصابة.
- لا تتم بتركيب علبه البطارية بالفوه. عدم دخول العلبه بسهولة يعني بأن طريقة إدخالها غير صحيحة.
- نزع علبه البطارية، اسحبها لإخراجها من الراديو مع سحب الزر الموجود على الجهة الأمامية من العلبه أو مع ضغط الأزرار الموجودة على كلا جانبيها.

نصائح لإطالة عمر البطارية إلى أقصى حد ممكن

1. قم بشحن علبة البطارية قبل فروع شحنها بالكامل.
احرص دائما على التوقف عن تشغيل الأداة وقم بشحن علبة البطارية عند انخفاض قدرة الأداة.
2. لا تقم أبدا بإعادة شحن علبة بطارية مشحونة بالكامل.
الشحن الزائد يقصر من عمر خدمة البطارية.
3. قم بشحن علبة البطارية في درجة حرارة غرفة ما بين 10 - 40 درجة مئوية (50 - 104 درجة فهرنهايت). اترك علبة البطارية الساخنة حتى تبرد قبل شحنها.
4. قم بشحن علبة البطارية حين لا يتم استخدامها لمدة طويلة من الزمن (أكثر من ستة أشهر).

شرح النظرة العامة (الشكل التوضيحي 1 - 12)

1. زر الطاقة
2. زر الموجة
3. زر الإعدادات المتقدمة
4. زر المعلومات
5. زر الضبط المسبق
6. زر التوليف التلقائي
7. مقبض التحكم بمستوى الصوت/التوليف/الاختيار
8. مقبض DC IN
9. AUX IN 1
10. شاشة LCD
11. عمود هوائي مرن
12. الذراع
13. غطاء حجيرة البطارية (يغطي علبة البطارية)
14. مكبر الصوت
15. قفل حجيرة البطارية
16. طرف الإدخال (AUX IN 2)
17. منفذ USB صغير لترقية البرنامج
18. حجيرة البطارية
19. المؤشر الأحمر
20. الزر
21. علبة البطارية
22. لمبات المؤشر
23. زر التأكيد

المميزات

- (DMR109) FM/DAB
- FM/DAB أو DAB+ (DMR110)
- شاشة LCD كبيرة مع إضاءة
- توليف يدوي/ضبط مسبق/استطلاع
- قرص التحكم بالتوليف وبمستوى الصوت
- 5 محطات ضبط مسبق على كل موجة
- منفذ USB صغير لترقية البرنامج
- مكبر صوت ستيريو لأداء صوتي غني
- تصميم فائق المتانة
- مقاوم للماء بما يتوافق مع IP64
- يزود بالطاقة عن طريق كل من بطارية Makita ومحول الطاقة المرفق

الرموز المستخدمة مع المنتج هي كالتالي. احرص على فهم معانيها قبل الاستخدام.

اقرأ دليل التعليمات.



Cd
Ni-MH
Li-Ion

.....بلدان الاتحاد الأوروبي فقط
لا تقم بالتخلص من الجهاز الكهربائي أو البطارية مع القمامة المنزلية!
يجب تجميع الأجهزة الكهربائية والبطاريات التي انتهى عمرها بشكل منفصل وإعادةها إلى مرفق إعادة تدوير متوافق بيئي وفقاً للقوانين الوطنية والتزاماً بالتوجيهات الأوروبية 2002/96/EC المتعلقة بالأجهزة الكهربائية والإلكترونية المستهلكة و 2006/66/EC المتعلقة بالبطاريات والمركبات والبطاريات والمركبات المستهلكة.

تعليمات هامة حول ضمان السلامة

تحذير:

عند استعمال الأدوات الكهربائية، يجب اتباع احتياطات السلامة الأساسية دائماً للحد من خطر نشوب حريق أو التعرض لصدمة كهربائية أو إصابات شخصية، بما في ذلك ما يلي:

1. اقرأ دليل التعليمات هذا ودليل تعليمات الشاحن بعناية قبل الاستعمال.
2. لا يجب التنظيف إلا بعقفة جافة.
3. لا تقم بالتركيب بالقرب من أية مصادر حرارة كأجهزة الراديو أو منافذ الحرارة أو الموادق أو التجهيزات الأخرى التي تولد الحرارة (بما فيها مضخمات الصوت).
4. لا تستعمل سوى الملحقات/الكيميائيات المحددة من قبل الجهة المصنعة.
5. أفضل هذا الجهاز عن مصدر الطاقة أثناء العواصف الرعدية أو حين لا يتم استعماله لفترات طويلة من الزمن.
6. لا يجب شحن الراديو الذي يعمل ببطاريات داخلية أو بطاريات منفصلة إلا باستخدام شاحن البطارية المحدد. شحن بطارية باستخدام شاحن مناسب لنوع آخر من البطاريات قد يؤدي إلى خطر نشوب حريق.
7. لا تستخدم الراديو الذي يعمل بالبطاريات إلا مع البطاريات المخصصة له تحديداً. استخدام بطاريات من أي نوع آخر قد يؤدي إلى خطر نشوب حريق.
8. عند عدم استخدام البطارية، احتفظ بها بعيداً عن المواد المعدنية الأخرى مثل: مشابك الورق أو العملات المعدنية أو المفاتيح أو المسامير أو البراغي أو غيرها من المواد المعدنية الصغيرة التي يمكن أن تؤدي إلى التوصيل من طرف إلى آخر. تعرض أطراف البطارية لقصور كهربائي قد يولد شرارات أو يسبب الإصابة بحروق أو نشوب حريق.
9. تجنب ملامسة جسمك لأسطح تم تآريتها مثل الأنايبب وأجهزة الراديو والأفران والثلاجات. يزداد خطر التعرض لصدمة كهربائية إذا تم تآريتها جسمك.
10. الاستخدام في ظروف غير مناسبة قد يؤدي إلى خروج المسائل من البطارية. تجنب ملامسة المسائل، إذا لمسته بصورة غير مقصودة، قم بإزالته باليدين، إذا دخل المسائل في العينين، اطلب المساعدة الطبية أيضاً. المسائل المتسرب من البطارية قد يسبب الإصابة بتهيج أو حروق.
11. يتم استخدام قابس الكهرباء الفصل ويظل تشغيله ممكناً.

احتفظ بهذه التعليمات

معلومات سلامة هامة لعبة البطارية

1. قبل استخدام لعبة البطارية اقرأ جميع التعليمات والعلامات التحذيرية الموجودة على (1) شاحن البطارية و (2) البطارية و (3) المنتج الذي يتم استخدامه مع البطارية.
2. لا تقم بتفكيك لعبة البطارية.
3. إذا أصبحت مدة التشغيل قصيرة جداً، قم بإيقاف التشغيل فوراً. قد يؤدي ذلك إلى ارتفاع الحرارة وإمكانية التعرض لحروق وحتى إلى حدوث انفجار.
4. إذا دخل المسائل الإلكترونية في العينين، اغسلهما بماء الصافي والتنمس العناية الطبية على الفور. قد يؤدي ذلك إلى فقدان البصر.
5. لا تعرض لعبة البطارية لتماس كهربائي:
(1) لا تدع الأطراف تتلامس مع أي مواد ناقلة.
(2) تجنب تخزين لعبة البطارية في وعاء فيه أشياء معدنية أخرى مثل مسامير وعملات معدنية وما إلى ذلك.
(3) لا تعرض لعبة البطارية للماء أو المطر. تعرض البطارية لتماس كهربائي يمكن أن يؤدي إلى تدفق تيار كبير وارتفاع الحرارة وإمكانية التعرض لحروق وحتى إلى حدوث عطل.
- تعرض البطارية لتماس كهربائي يمكن أن يؤدي إلى تدفق تيار كبير وارتفاع الحرارة وإمكانية التعرض لحروق وحتى إلى حدوث عطل.
6. لا تقم بتخزين الأداة وعلبة البطارية في أماكن قد تصل فيها درجة الحرارة إلى 50 درجة مئوية (122 درجة فهرنهايت) أو أعلى.
7. لا تقم برمي لعبة البطارية في النار حتى إذا كانت تالفة بشكل كبير أو تم استهلاكها بشكل كامل. يمكن أن تنفجر لعبة البطارية إذا وضعت في النار. احرص على عدم إسقاط البطارية أو تعرضها لضربات.
8. لا تستخدم بطاريات تالفة.
9. بطاريات أيون الليثيوم المستخدمة تخضع لمتطلبات قانون المواد الخطرة. بالنسبة للنقل التجاري الذي تقوم به أطراف ثالثة أو وكلاء الشحن مثلاً، يجب اتباع المتطلبات الخاصة المتعلقة بالتغليف ووضع العلامات. بالنسبة لتحضير الغرض الذي سيتم شحنه، يجب استشارة أحد خبراء المواد الخطرة. كما يرجى التقيد أيضاً بالقوانين الوطنية المنفصلة في حال وجودها. قم بإغلاق الأجزاء المفتوحة بشرط لاصق ووضع البطارية بشكل يمنعها من التحرك داخل العلبة.
11. قم باتباع الأنظمة المحلية المتعلقة بالتخلص من البطاريات.

احتفظ بهذه التعليمات

⚠️ **تنبيه:** لا تستعمل سوى بطاريات Makita الأصلية. استعمال بطاريات Makita غير أصلية أو بطاريات تم تعديلها قد يؤدي إلى انفجار البطارية ونشوب حريق ووقوع إصابات شخصية وأضرار. كما يؤدي القيام بذلك إلى إبطال ضمان Makita الخاص بأداة وشاحن Makita.

Makita Europe N.V. Jan-Baptist Vinkstraat 2,
3070 Kortenberg, Belgium

Makita Corporation 3-11-8, Sumiyoshi-cho,
Anjo, Aichi 446-8502 Japan