

LINHAI 400 CUV 9038976

PARTS KATALOG

Version 6 Dk



INDHOLDSFORTEGNELSE		
FIGUR	TEKST	SIDE
1	Chassis og bøjle - Frame -	4
2	Skærmdede - Fender -	8
3	Forhjulsophæng - Schock absorber front -	12
4	Baghjulsophæng - Schock absorber rear -	14
5	Styretøj -Steering assy -	16
6	Forhjul - Front wheel -	18
7	Baghjul - Rear wheel -	20
8	Benzintank - Fuel tank -	22
9	Sæde - Seat assy -	24
10	Trækaksel, bag - Rear drive axel -	26
11	Gearskifte - Shift rod -	28
12	Bagtøj, vinkelgear - Rear gear box -	30
13	Karanaksler, frem, bag - Knuckle -	32
14	Gearkasse - Transmission -	34
15	Gearkasseophæng - Support bracket -	38
16	Trækaksler, for - Front drive aksel -	40
17	Motor & ophæng - Engine assy -	42
18	Kofanger, for - Bumper -	44
19	Lad - Box assy -	46
20.1	Lygter - Lamp assy -	48
20.2	Reflekser - Reflection -	50
20.3	Eldele - Electrical system -	52
21	Bremser - Brake system -	54
21.1	Bremsekaliber, for - Brake caliber, FR -	56
21.2	Bremsekaliber, bag - Brake caliber, RR -	58
21.3	Bremsehovedcylinder - Master brake cylinder -	60
22	Håndbremse - Auxiliary brake -	62
22.1	Håndbremsekaliber - Brake caliber -	64
23	Fortøj - Front gear box -	66
23.1	Differntiale - Foc body -	68
24	Sidespejle - Rear view mirror assy -	70
25	Sikkerhedssele - Safty belt -	72
26	Døre - Door -	74
27	Førerhusbeklædning - Protector cover -	76

FIG 1 Chassis/Frame

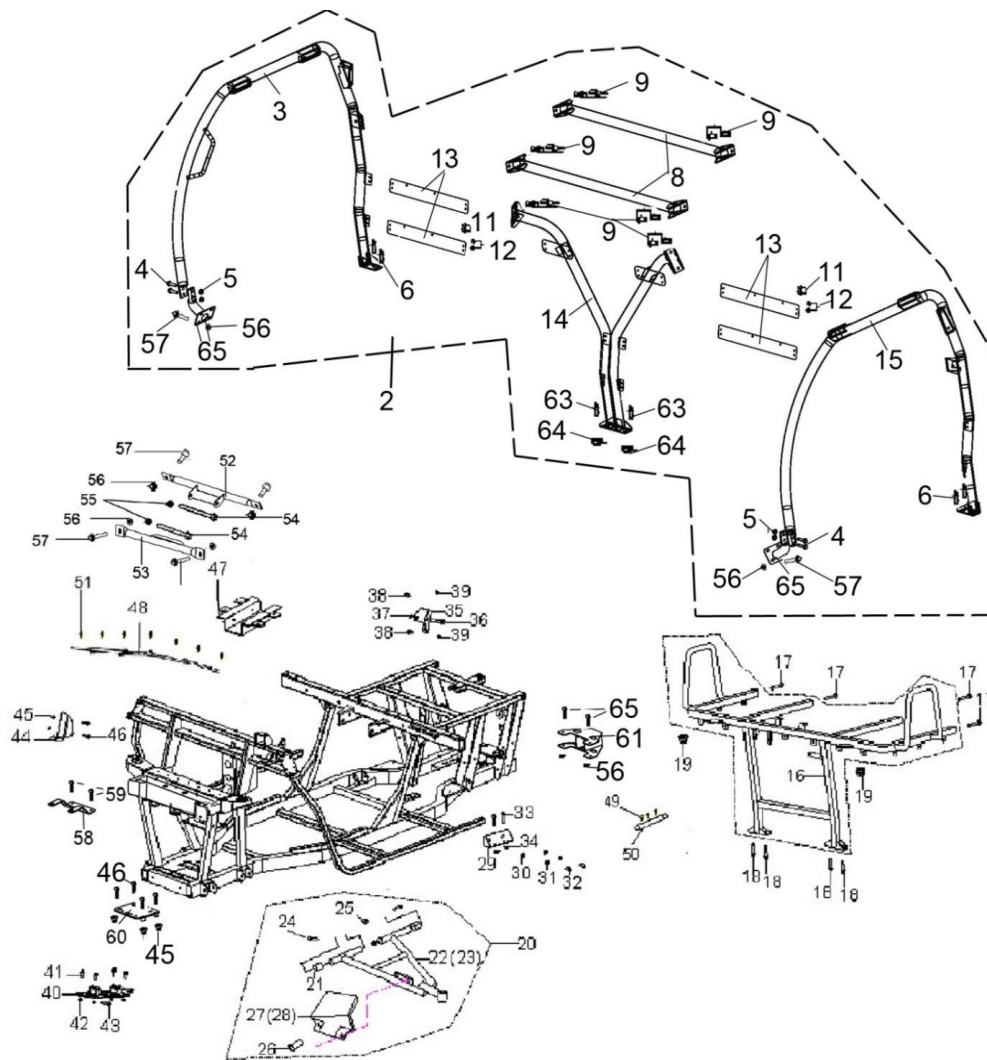


Fig. 1	PL. Nr	Varenavn	Art name	Oe-ref.nr	Antal/pcs
1	N.A		FRAME	27104a	1
2	9033866	Styrtbøjle komplet	ROOF FRAME ASSY	26701a	1
3	9033906	Sidebøjle H	MEMBER,ROOF FRAME 1	26702a	1
4	N.A	Bolt M10x45	BOLT M10X45	10512	4
5	9031005	Møtrik	NUT M10	10015	4
6	N.A		BOLT M10X1.25X35	10692	4
8	9033856	Sidebøjle V	MEMBER,ROOF FRAME 2	26705a	2
9	N.A		BOLT M10X1.25X20	10163	12
11	9034190	Skrue M6x16	SCREW M6X16	10183	16
12	9034633	Møtrik M5	NUT M5	10004	16
13	9033842	Beslag f/nakkestøtte	BRACKET,BACK REST	26706a	4
14	9033854	Bagstiver	MEMBER,ROOF FRAME 3	26704a	1
15	9034176	Mellemstiver	MEMBER,ROOF FRAME 4	26703a	1
16	9033858	Sæderamme	SEAT FRAME (USED FOR USA)	26708a	1
17	9033860	Bolt	BOLT M10X1.25X60	26249	4
18	N.A	Bolt	BOLT M8X35	10124	4
19	9033864	Gummidæmper	RUBBER SET,SEAT	26721	2
20	9033867	Bæream	A-ARM ASSY	26709	1
21	9049762	Bøsning	BUSHING	20518	4
22	9033880	Bæream højre	A-ARM ,R	26710	1
23	9033892	Bæream venstre	A-ARM ,L	26711	1
24	9049609	Akselbolt f/øverste bæream	A-ARM PIVOT SHAFT	27077	4
25	9033896	Møtrik	NUT M12X1.25	10136	4
26	9033898	Skrue M5x12	SCREW M5X12	10001	4
27	9030010	Bæreams beskyttelse venstre	A - ARM SHIELD,L	20519	1
28	9030011	Bæreams beskyttelse højre	A - ARM SHIELD,R	20628	1
29	9033904	Beslag f/transmission	TRANSMISSION MOUNTING BRACKET BOTTOM	21508	1
30	9033907	Skive	WASHER,PLANT	10019	2
31	9033908	Skive	WASHER,SPRING	10027	2
32	9033910	Bolt	BOLT M10X25	10028	2
33	9050231	Bolt	BOLT M8X20	10081	2
34	9050207	Møtrik	NUT M8	10079	2
35	9033916	Beslag for transmission	TRANSMISSION MOUNTING BRACKET REAR	21514	1
36	9033918	Bolt	BOLT M10X1.25X70	10084	1
37	9031005	Flange møtrik	NUT M10X1.25	10015	1
38	9050231	Bolt M8x20	BOLT M8X20	10081	2
39	9031005	Flange møtrik	NUT M10X1.25	10015	2
40	N.A		BACKSTOP	24438	1
41	N.A		BOLT M10X1.25X20	10163	4
42	9033940	Møtrik	NUT M10X1.25	10209	4

43	N.A		BOLT M10X1.25X43	10208	2
44	9033964	Beslag	BRACKET,TANK RECOVERY	26728	1
45	9050233	Bolt M8X40	BOLT M8X40	10218	6
46	9050207	Møtrik	NUT M8	10079	6
47	N.A		BRACKE, REAR AXLE	27105	1
48	N.A		FRONT PANEL BRACKET	27175	1
49	9050221	Bolt M6	BOLT M6X20	10008	6
50	9034129	Beskytter	PROTECT	26712	2
51	9037432	popnitter	RIVET	10537	7
52	N.A		UPPER BRACKET, RR, REAR GEAR-BOX	27185	1
53	N.A		UPPER BRACKET, FR, REAR GEAR-BOX	27186	1
54	N.A		BOLT M10X1.25X126	70008	2
55	9031005	Flange møtrik	NUT M10X1.25	10015	2
56	9050207	Møtrik	NUT M8	10079	14
57	9050231	Bolt M8x20	BOLT M8X20	10081	12
58	N.A		UPPER BRACKET, FR, RADIATOR	46001	1
59	N.A		BOLT M6X55	10530	2
60	N.A		TRACTION MOUNTING PLATE	46002	1
61	N.A		TRACTION SEAT INSTALLATION COMPONENTS	46003	1
62	9050237	Bolt M8X80	BOLTM8X80	10693	2
63	N.A		BOLT M10X1.25X80	10694	2
64	9050207	Møtrik	NUT M8	10015	2
65	N.A		TRANSITION JOINT ASSY.	46004	2

Fig. 2 Fender

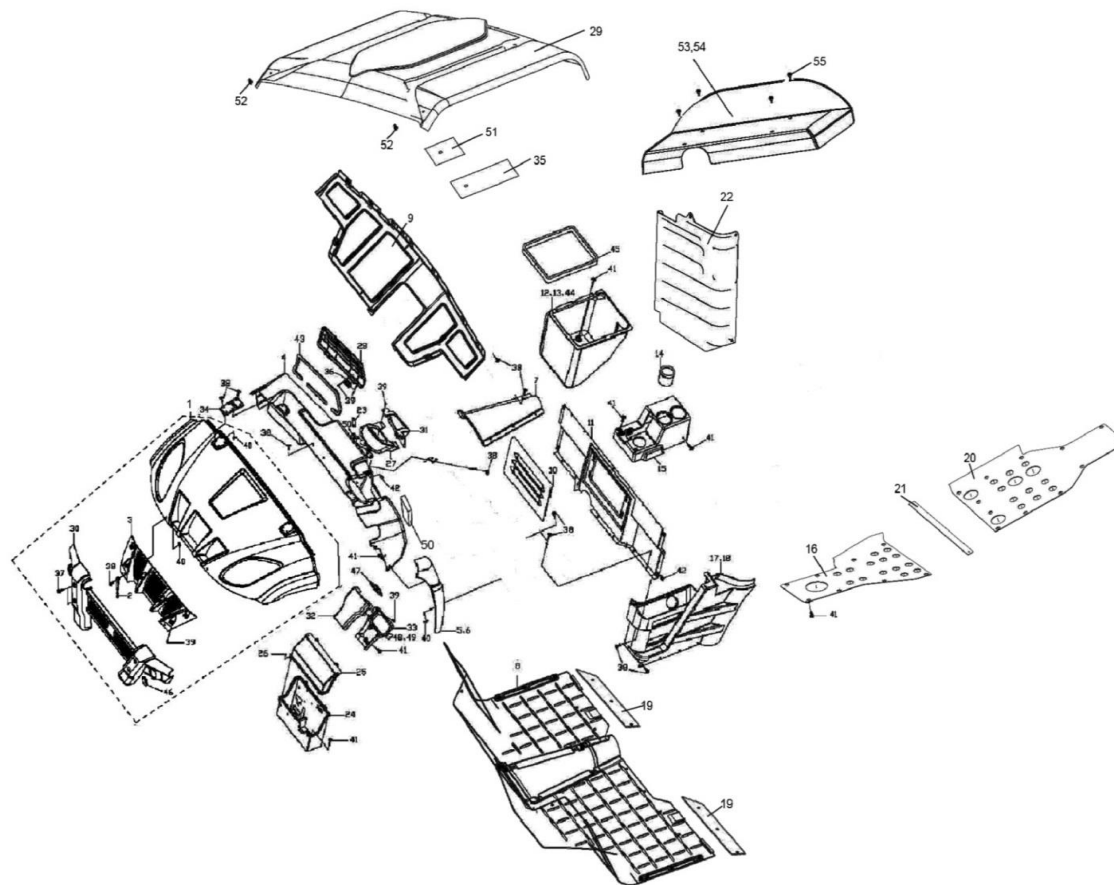


Fig. 2	PL. Nr	Varenavn	Art name	Oe-ref.nr	Antal/pcs
1	9034353	Frontklap type A "blank"	FRONT BODY (FOR A TYPE)	26201	1
2	9034435	Gummiophæng	RUBBER,FRONT BODY FITTING	26212	2
3	9034483	Frontgril	GRILLE,FRONT	26223	1
4	9024552	Frontpanel	PANEL,FRONT	26228	1
5	9043153	Sideskærm venstre	MUDGUARD,L,FR	27157	1
6	9043154	Sideskærm højre	MUDGUARD,R,FR	27158	1
7	N.A		COVER,AXLE	27159	1
8	N.A		MUDGUARD,LOWER.CENTER	46005	1
9	N.A		MUDGUARD,UPPER.CENTER	27161	1
10	N.A		REPAIR COVER	27162	1
11	N.A		PROTECT COVER	46006	1
12	9034405	Værktøjskasse	TOOL BOX(CONTAIN TWO OBJECTS WITH JOINTING)	26204	1
13	9034417	Sidedæksel for værktøjskasse		26205	1
14	9024421	Kopholder	CAP SEAT	26206	2
15	9034423	Skærm	COVER	26207	1
16	N.A		PLASTIC PLANT, FRONT	46007	1
17	N.A		SIDE PANEL COVER,L	46008	1
18	N.A		SIDE PANEL COVER,R	46009	1
19	N.A		MUDGUARD,LOWER.CENTER SMALL	46010	1
20	N.A		PLASTIC PLANT, REAR	46011	1
21	N.A		PLASTIC PLANT, SMALL	46012	1
22	N.A		MUDGUARD, AIR CLEANER	46013	1
23	9034469	Dæksel F kontakt	SWITCH COVER	26216	2
24	N.A		ELECTRIC BOX	46014	1
25	9034473	Dæksel F sikringsbox	ELECTRIC BOX COVER	26218	1
26	9024477	Dæksel f speedometer	SPEED METER COVR	26220	1
27	9034479	Låg f hanskerum	LID,GLOVE COVER	26221	1
28	9024481	Beslag	LICENCE BRACKET	26222	1
29	N.A		TOP COVER	46015	1
30	9024503	Dæksel bag speedometer	SPEED METER REAR COVR	26225	1
31	9034515	Dæksel F rataksel øverst	STEERING WHEEL COVER,FR	26226	1
32	9034527	Cover f rataksel nederst	STEERING WHEEL COVER,RR	26227	1
33	9034539	Hængsel frontklap	COVER BRACKET	26759	2
34	9034542	Clips/nitte M8	RIVET	26760	37
35	N.A		WASHER 1, TOP COVER	46016	4
36	9033887	Bolt	BOLT M8X25	10059	2
37	9050221	Bolt M6X20	BOLT M6X20	20315	67
38	N.A		BOLT ST4.8X16	10009	23
39	9050206	Møtrik M6	NUT M6	10103	10
40	N.A		BOLT M6X25	10187	29

41	9049167	Clips møtrik	SPRING NUT	22346	12
42	9024565	Tætningsliste	TOOL BOX DUSTPROOF	26816	1
43	9024567	Betræk	ADIABATIC PELLICLE, TOOL BOX	26817	1
44	9034569	Tætningsliste	GLOVE BOX DUSTPROOF	26818	1
45	9034571	Dæksel	FRONT INDICATION LIGHT COVER (ONLY FOE USA)	25092	2
46	9034573	styreskinne	STEERING COVWER	26819	1
47	9034575	Dæksel venstre	LEFT COVER, STEERING WHEEL (ONLY FOR USA)	26820	1
48	9034577	Dæksel højre	RIGHT COVER, STEERING WHEEL (ONLY FOR USA)	26821	1
49	9034596	Beslag for speedometer	SPEEDMETER BRACKET	26869	1
50	N.A		DAMPER LINE BOARD	27135	1
51	N.A		WASHER 2, TOP COVER	46017	4
52	9050206	Møtrik M6	NUT M6	26269	6
53	N.A		MUDGUARD,R,RR	46017	1
54	N.A		MUDGUARD,L,RR	46018	1
55	9050231	Bolt M8X20	BOLT M8X20	10081	8

Fig.3 Schock absorber front

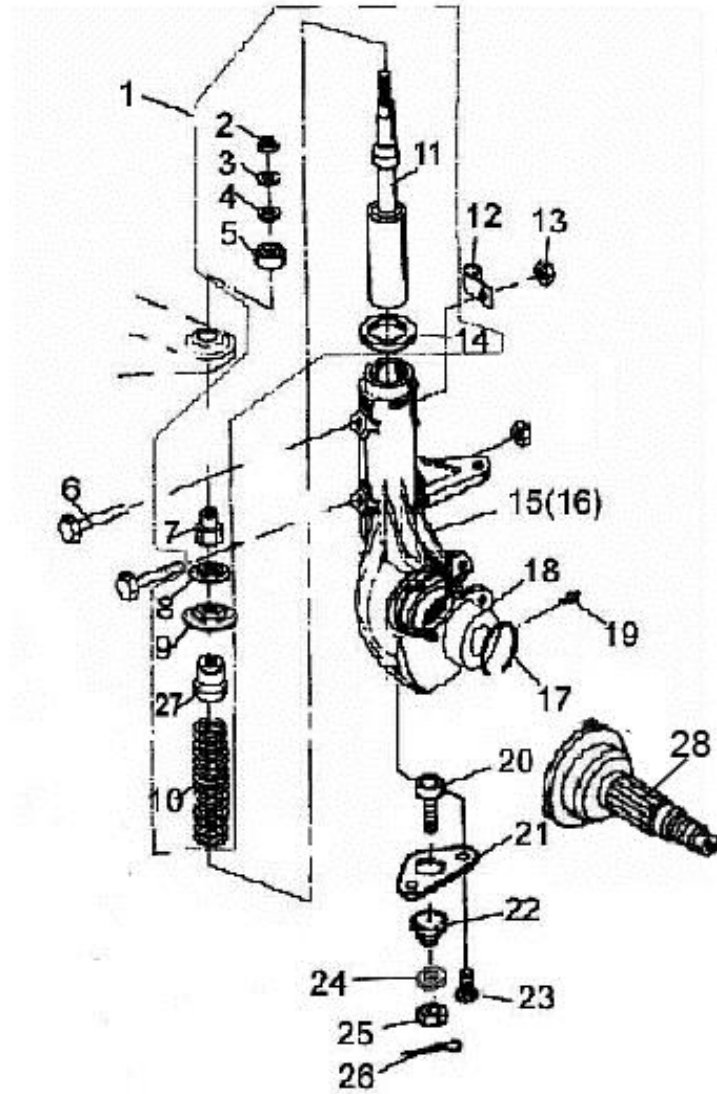


Fig. 3	PL. Nr	Varenavn	Art name	Oe-ref.nr	Antal/pcs
1	9034743	Støddæmper forrest komplet	FRONT SHOCK ABSORBER ASSEMBLY	26907	2
2	9034762	Møtrik	NUT M14X1.5	10091	2
3	9034784	Skive	WASHR 14	21802	2
4	9029718	Afstandsgummi	SPACER RUBBER	21803	2
5	9029652	Fjederbens leje øverst	UPPER PIVOT BALL	21804	2
6	9034839	Bolt M8X55	BOLT M8X55	10093	4
7	9034852	Møtrik M14	NUT M14X1.5	21806	2
8	9029653	Fjederbens leje nederst	LOWER PIVOT BALL	21807	2
9	9029654	Fjederskål	SPRING RETAINER	21808	2
10	9057189	Skive	SPRING	26909	2
11	N.A		STRUT BUMPER	26908	2
12	N.A		CLAMP	32104	2
13	9050207	Møtrik M8	NUT M8	10079	4
14	9030095	Fjederskål	SPRING RETAINER	21813	2
15	9034753	Fjederben løs venstre	STRUT BODY LEFT	26910	1
16	9034755	Fjederben løs højre	STRUT BODY RIGHT	26911	1
17	9034757	Låsering	CIRCLIP	26912	2
18	9034759	Forhjuls leje	BEARING	26913	2
19	9037437	Smørefedt nippel	GREASE FITTING	27074	2
20	9030061	Bærearms tap	BALL JOINT STUD	20512	2
21	9030062	Holder f/bærearms bolt	BALL JOINT MOUNTING BRACKET	20513	2
22	9029797	Gummistøv kappe	BALL JOINT CUP	20514	2
23	9034773	Bolt M6X12	BOLT M6X12	10022	4
24	9033907	Skive	WASHER	10019	2
25	9034777	Møtrik M10	NUT M10X1.25	27067	2
26	9037424	Split	COTTER PIN 2.5X25	10501	2
27	N.A		CUSHION	27191	2
28	N.A		SPINDLE BOLT (2WD)	27192	2

Fig.4 Shock absorber rear

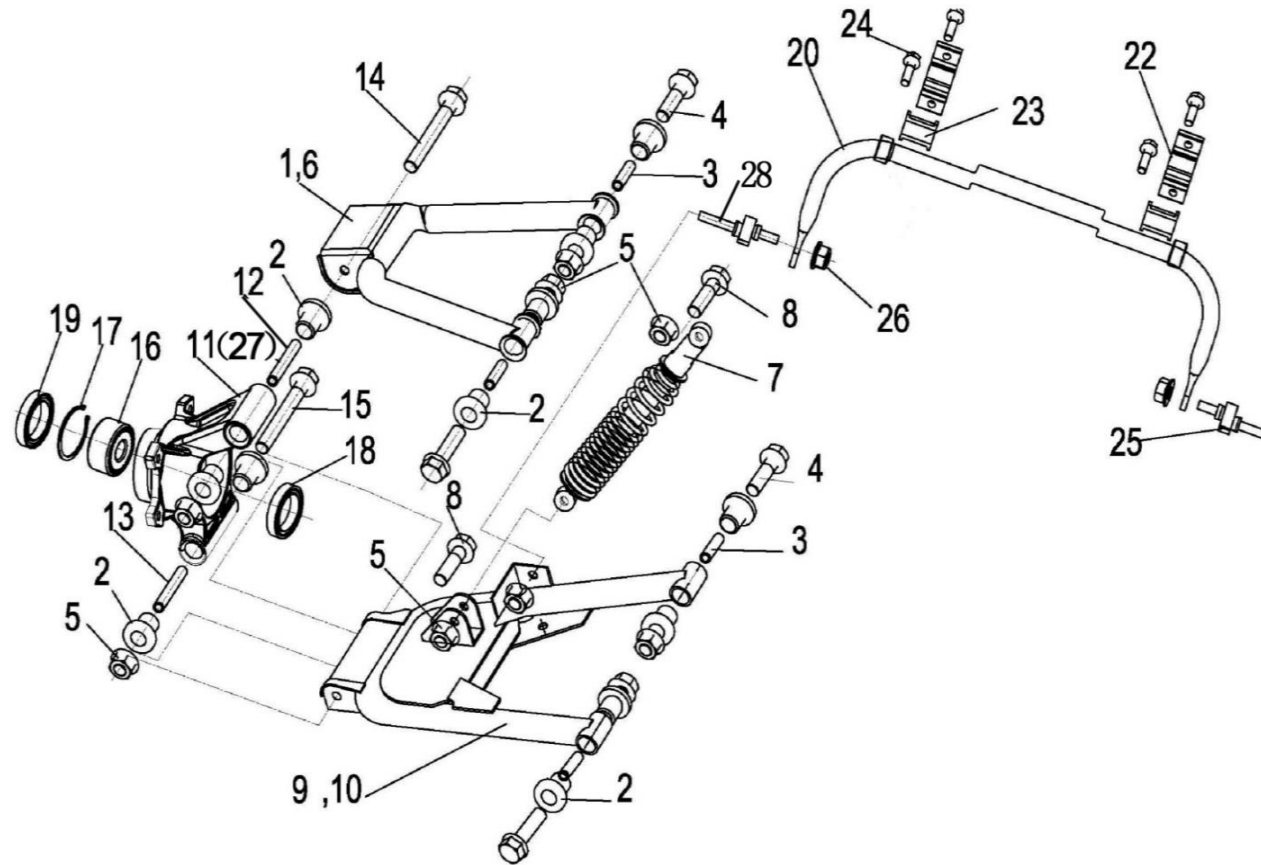


Fig. 4	PL. Nr	Varenavn	Art name	Oe-ref.nr	Antal/pcs
1	N.A		ARM ,L.RR	27127	1
2	9039665	Gummibøsning bag ø/bæream	BUSH 1, ARM ,R.RR	70682	24
3	9039467	Bøsning	COLLAR	70683	8
4	9042216	Bolt	BOLT M10X1.25X80	70684	8
5	9031005	Møtrik	NUT M10X1.25	10015	16
6	N.A		ARM ,R.RR	27128	1
7	9058468	Støddæmper bagerst	SHOCK ABSORBER ,RR	27126	2
8	N.A		BOLT M10X1.25X52	70012	4
9	N.A		ARM SET,L.RR	27129	1
10	N.A		ARM SET,R.RR	27130	1
11	N.A		KNUCKLE,L.RR	27131	1
12	9039670	Bøsning Bagerst øverst	COLLAR,RR.KNUCKLE,(UPPER)	70692	2
13	9039671	Bøsning bagerst nederst	COLLAR,RR.KNUCKLE,(LOWER)	70693	2
14	9039468	Bolt øverst t/spindel	BOL,TKNUCKLE,(UPPER)	70694	2
15	9039469	Bolt nederst t/spindel	BOL,TKNUCKLE,(LOWER)	70695	2
16	9039662	Baghjuls leje	BEARING AU0712	70674	2
17	9039518	Låsering	CIRCLIP 58	70055	2
18	9039663	Pakdåse yderst t/baghjul	SEAL 61.5 43 11	70675	2
19	9039664	Pakdåse inderst t/baghjul	SEAL 58 41.2 11	70676	2
20	N.A		BAR ,STABILIZER	27133	1
22	N.A		HOLDER,STABILIZER BUSH	27090	2
23	9050166	Bøsning f/stabilisator	BUSH,RR.STABILIZER	27091	2
24	9050233	Bolt M8X20	BOLT M8X20	10081	4
25	N.A		JOINT, STABILIZER 1	27092	1
26	9031005	Møtrik M10	NUT M10X1.25	10015	2
27	N.A		KNUCKLE,R.RR	27132	1
28	N.A		JOINT, STABILIZER 2	27093	1

Fig. 5 Steering assy

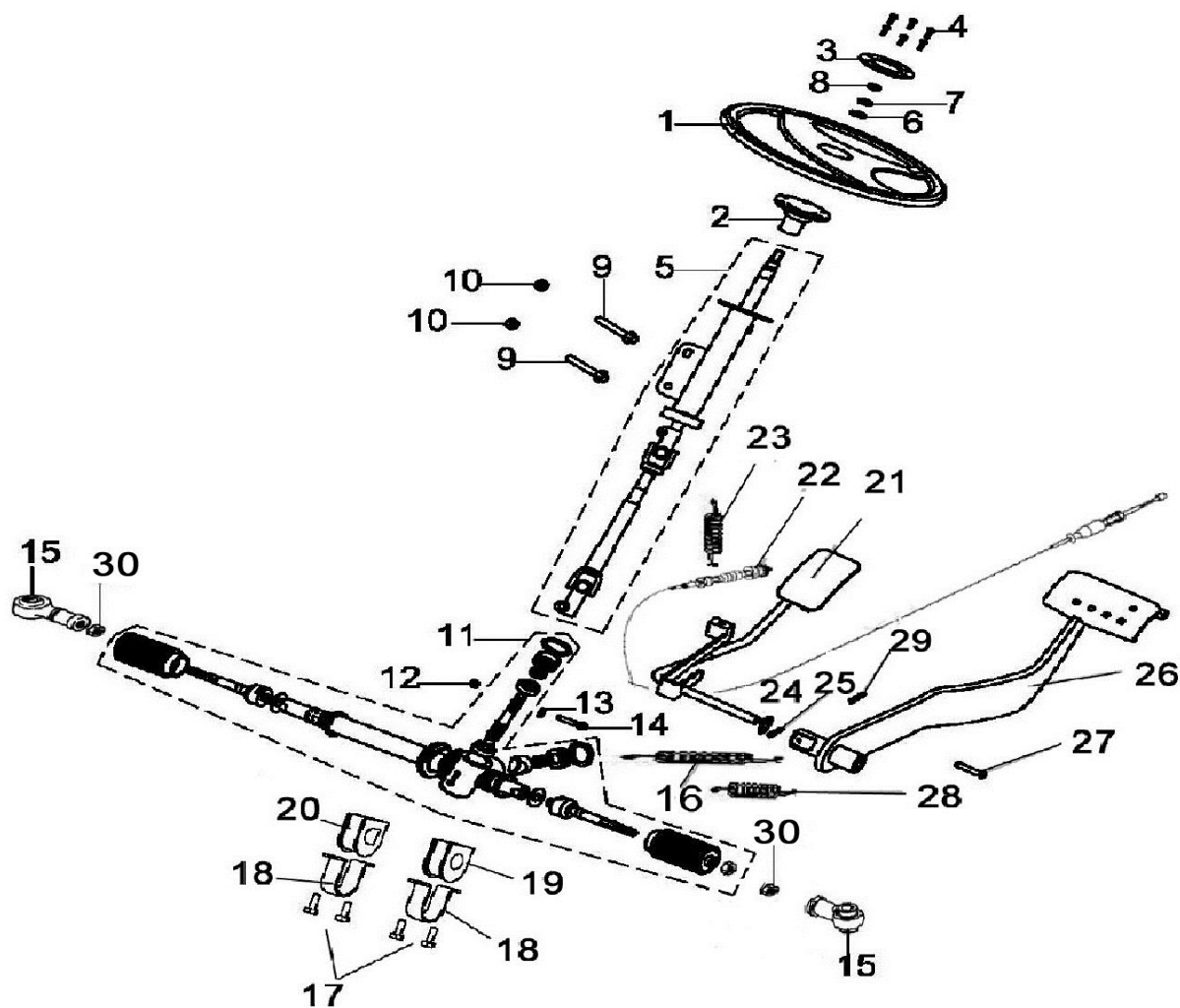


Fig. 5	PL. Nr	Varenavn	Art name	Oe-ref.nr	Antal/pcs
1	9034953	Rat	WHEEL,STEERING	26925	1
2	9034964	Ratnav	HOLDER,STEERING WHEEL	26932	1
3	9034975	Navplade f/rat	COVER,STEERING WHEEL	26934	1
4	N.A		SCREW M5X	10305	6
5	9034978	Rataksel leddelt	COLUMN,STEERING	26926	1
6	9033819	Skive	WASHER 12	10032	1
7	9033818	Fjederskive	WASHER SPRING 12	10054	1
8	9050209	Møtrik M12	NUT M12	26257	1
9	N.A		BOLT M12X1.25X30	10282	2
10	9034954	Møtrik	NUT M10X1.25	10050	2
11	9034955	Tandstang	STEERING ASSY	26927	1
12	9050207	Møtrik M8	NUT M8	10099	1
13	9033861	Skive	WASHER SPRING 8	10106	1
14	9050233	Bolt M8X40	BOLT M8X40	26255	1
15	9034959	Styrekugle f/tandstang	TIE ROD END B	26928	2
16	9034960	Fjeder f/bremsepedal	SPRING B,BRAKE PADEL	26933	1
17	9050241	Bolt M10x30	BOLT M10X30	26241	4
18	9034962	Spændebøjle	COVER, STEERING	26935	2
19	9034963	Bøsning -Gu venstre	BUSH A	26936	1
20	9034965	Bøsning -Gu højre	BUSH B	26937	1
21	9034966	Speederpedal	PADEL,THROTTLE	26929	1
22	9034967	Gaskabel/speederkabel	CABLE,THROTTLE	27156	1
23	9034968	Fjeder f/speeder	SPRING,THROTTLE	26938	1
24	9034969	Skive	WASHER	26939	1
25	9034970	Nagle	PIN	10021	1
26	9034971	Bremsepedal	PEDAL,BRAKE	26931	1
27	9034972	Nagle	PIN	26940	1
28	9034973	Fjeder bremsepedal	SPRING A,BRAKE PADEL	26941	1
29	9034974	Nagle	PIN	26268	1
30	N.A		NUT M12X1.25	10524	2

Fig. 6 Front wheel

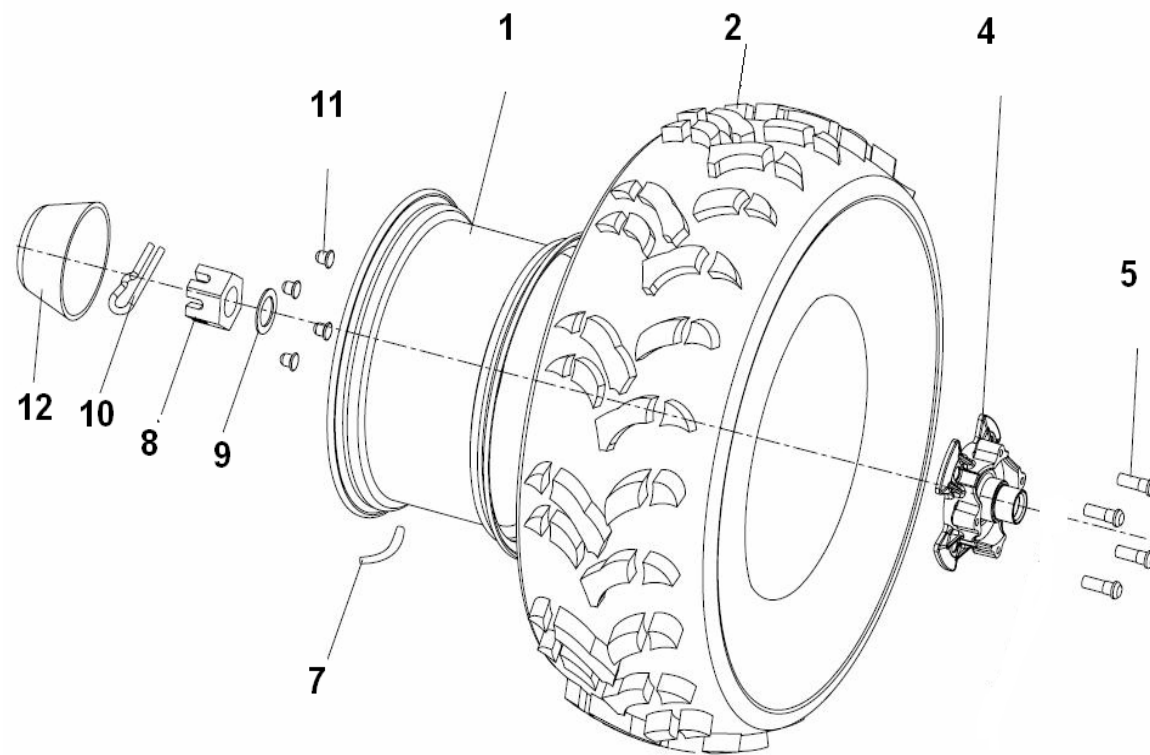


Fig. 6	PL. Nr	Varenavn	Art name	Oe-ref.nr	Antal/pcs
1	9039483	Fælg Alu forhjul 6X12 sølv	WHEEL SUB-ASSY, FR (FOUNDRY)	27330A	2
2	9034990	Dæk 25X8.00X12	TIRE FRONT AT25X8-12 (FOR USA)	26943a	2
4	9039409	Forhjulsnæv	HUB, FR WHEEL	27285	2
5	9039472	Hjulbolt	BOLT M12X1.25	70714	8
7	9039479	Ventil slangeløs	VALVE, RIM (TR412)	20807A	4
8	9039476	Kronemøtrik	BOLT SLOTTED	70721	2
9	N.A		WASHER	70722	2
10	9037424	Split	PIN 4X32	26267	2
11	9049611	Hjulmøtrik	LUG NUT M12X1.25 (FOR ALUWHEELS) (LONG)	27411	8
12	9039473	Navkapsel	CAP, WHEEL CENTER	70717	2

Fig. 7 Rear wheel

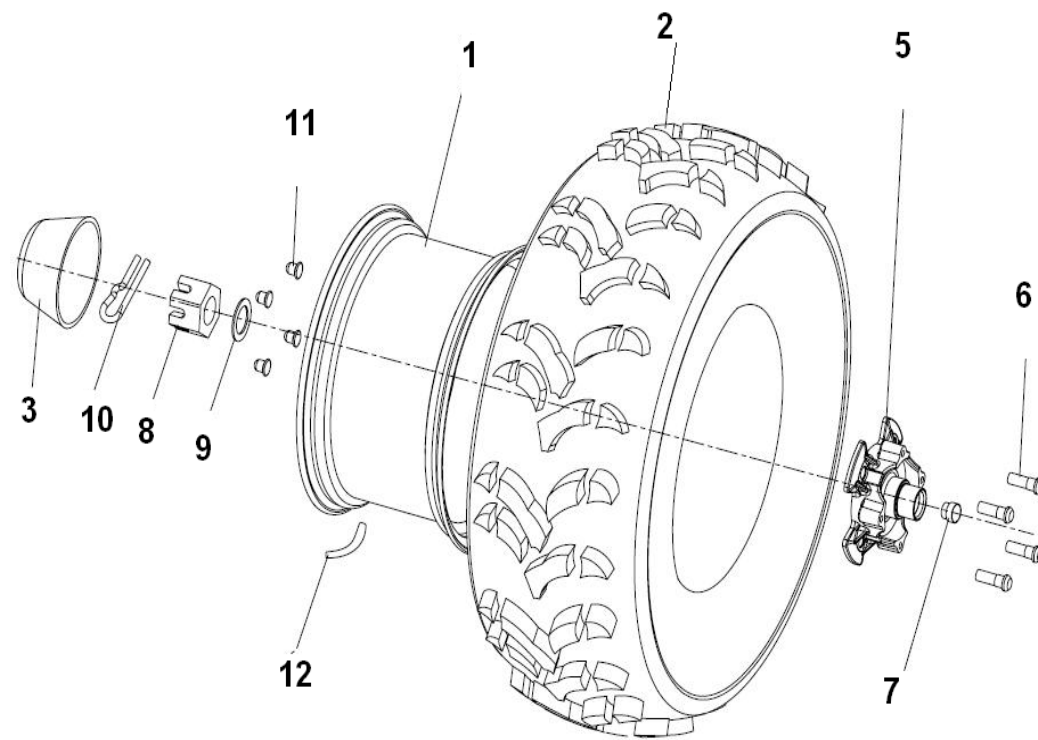


Fig. 7	PL. Nr	Varenavn	Art name	Oe-ref.nr	Antal/pcs
1	9039717	Fælg Alu sølv 8X12 (4X110)	WHEEL SUB-ASSY, RR (FOUNDRY)	27137	2
2	9039419	Dæk 25X10-12	TIRE, RR (25X10-12) (FOR USA)	27086a	2
3	9039473	Navkapsel	CAP, WHEEL CENTER	70717	2
5	9039475	Baghjulsnav	HUB, RR WHEEL	70719	2
6	9039472	Hjulbolt	BOLT M12X1.25	70714	8
7	9039474	Prop	SEAL	70718	2
8	9039476	Kronemøtrik	BOLT SLOTTED	70721	2
9	N.A		WASHER	70722	2
10	9037424	Split	PIN 4X32	26267	2
11	9049611	Hjulmøtrik	LUG NUT M12X1.25 (FOR ALUWHEELS) (LONG)	27411	8
12	9039479	Ventil slangeløs	VALVE, RIM (TR412)	20807A	2

Fig. 8 Fuel tank

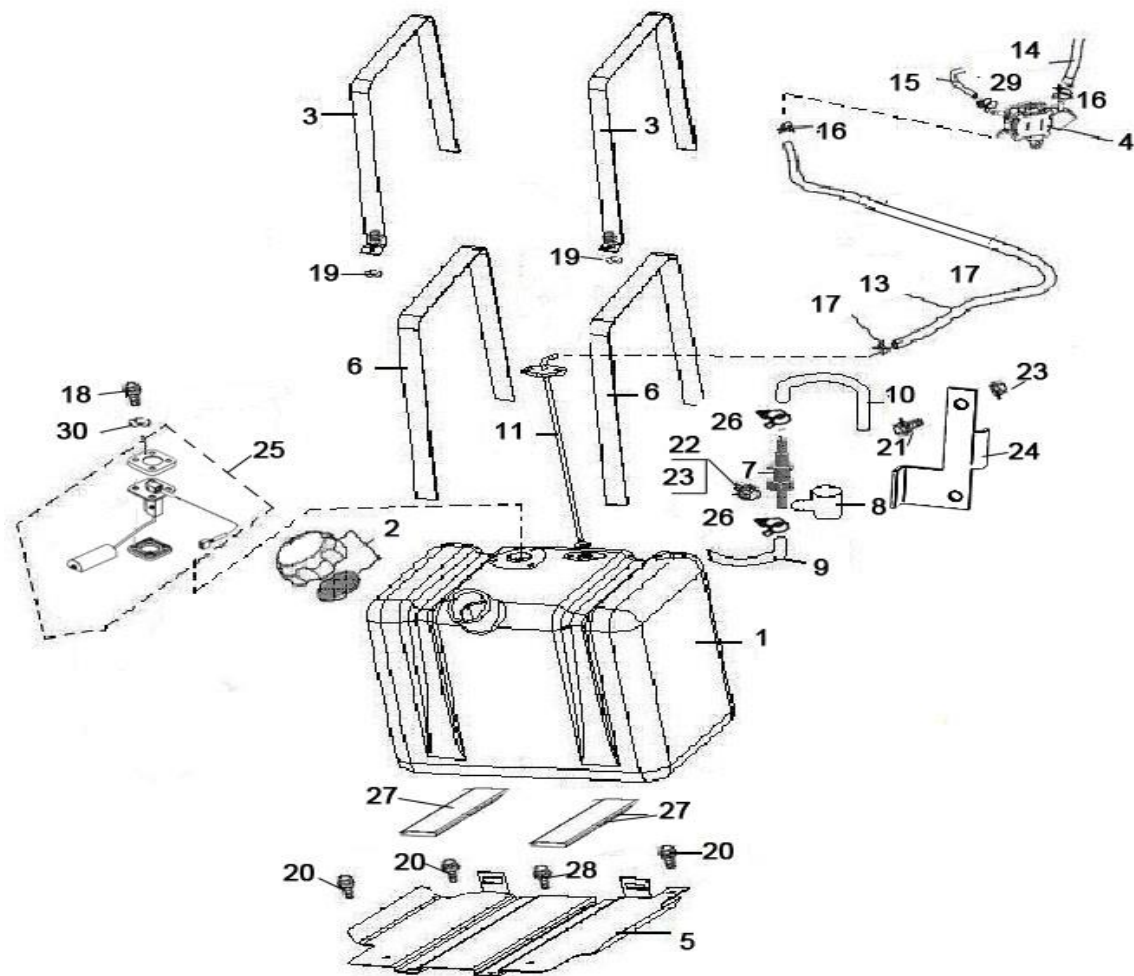


Fig. 8	PL. Nr	Varenavn	Art name	Oe-ref.nr	Antal/pcs
1	9056838		FUEL TANK(IRON) Ref 26953A	621197a	1
1	9035012		FUEL TANK plastic Ref 26953		1
2	N.A		FUEL CAP	621198a	1
3	N.A		STAY,FUEL TANK	621199a	2
4	N.A		VACUUM PUMP	40728	1
5	N.A		DAMPER,PLATE 1	621202a	1
6	9035032	Gummi mellemlæg	DAMPER,PLATE 2	26957	2
7	9058044	Kontraventil	ROLL OVER VALVE ASSY	25037	1
8	N.A		CLAMP	880,021	1
9	N.A		PIPE 1 ϕ 8X1.5 260	621206	1
10	N.A		PIPE 2 ϕ 7X2.5 450	621207a	1
11	N.A		OUTLER	621209a	1
13	N.A		PIPE 3	621211a	1
14	N.A		PIPE 5 ϕ 11X3x570	621213a	1
15	N.A		PIPE 6 ϕ 10X2.5x400	26962	1
16	N.A		CLAMP ϕ 11.3	40706	3
17	N.A		CLAMP ϕ 12.3	40707	1
18	N.A		BOLT M5X12	621219	4
19	9050207	Møtrik M8	NUT M8	10099	2
20	9033885	Bolt	BOLT M8X45	10078	3
21	9034625	Bolt	BOLT M6X35	10110	1
22	9034190	Bolt	BOLT M6X16	10183	1
23	9050206	Møtrik M6	NUT M6	621261	2
24	N.A		BRACKET,ROLL OVER VALVE ASSY	622010a	1
25	9057016		FUEL SENSOR steel tank Ref	622005	1
25	9034312		FUEL SENSOR Plastic tank Ref 26810		1
26	N.A		CLAMP ϕ 8.5	622006	2
27	N.A		FUEL TANK CUSHION	622007	2
28	9050231	Bolt M8X20	BOLT M8X20	10081	1
29	N.A		CLAMP ϕ 9.8	622008	2
30	N.A		WASHER ϕ 5	621901	4

Fig. 9 Seat assy

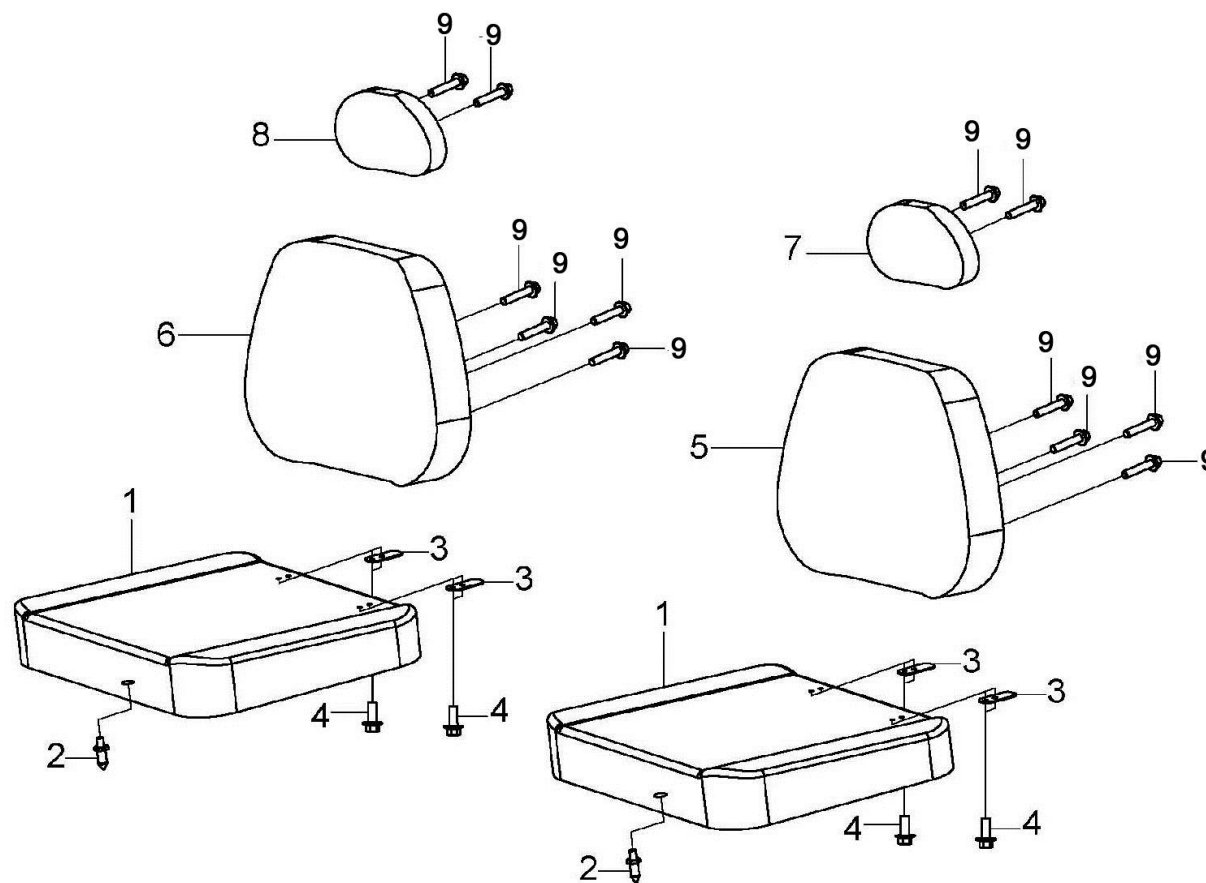


Fig. 9	PL. Nr	Varenavn	Art name	Oe-ref.nr	Antal/pcs
1	9035035	Sædepude	SEAT ASSY (USED FOR USA)	26963a	2
2	9035036	Låsepin f/sædepude	PIN,SEAT ASSY	26968	2
3	9035037	Sædelås	SEAT LOCK	26969	4
4	9050221	Bolt	BOLT M6X20	10110	20
5	9035039	Ryglæn Venstre	BACK REST,L (USED FOR USA)	26964a	1
6	9035040	Ryglæn Højre	BACK REST,R (USED FOR USA)	26965a	1
7	9035041	Nakkestøtte Venstre	HEAD REST,L (USED FOR USA)	26966a	1
8	9035042	Nakkestøtte Højre	HEAD REST,R (USED FOR USA)	26967a	1
9	9034561	Bolt	BOLT M6X12	26262	16

Fig. 10 Rear drive axle

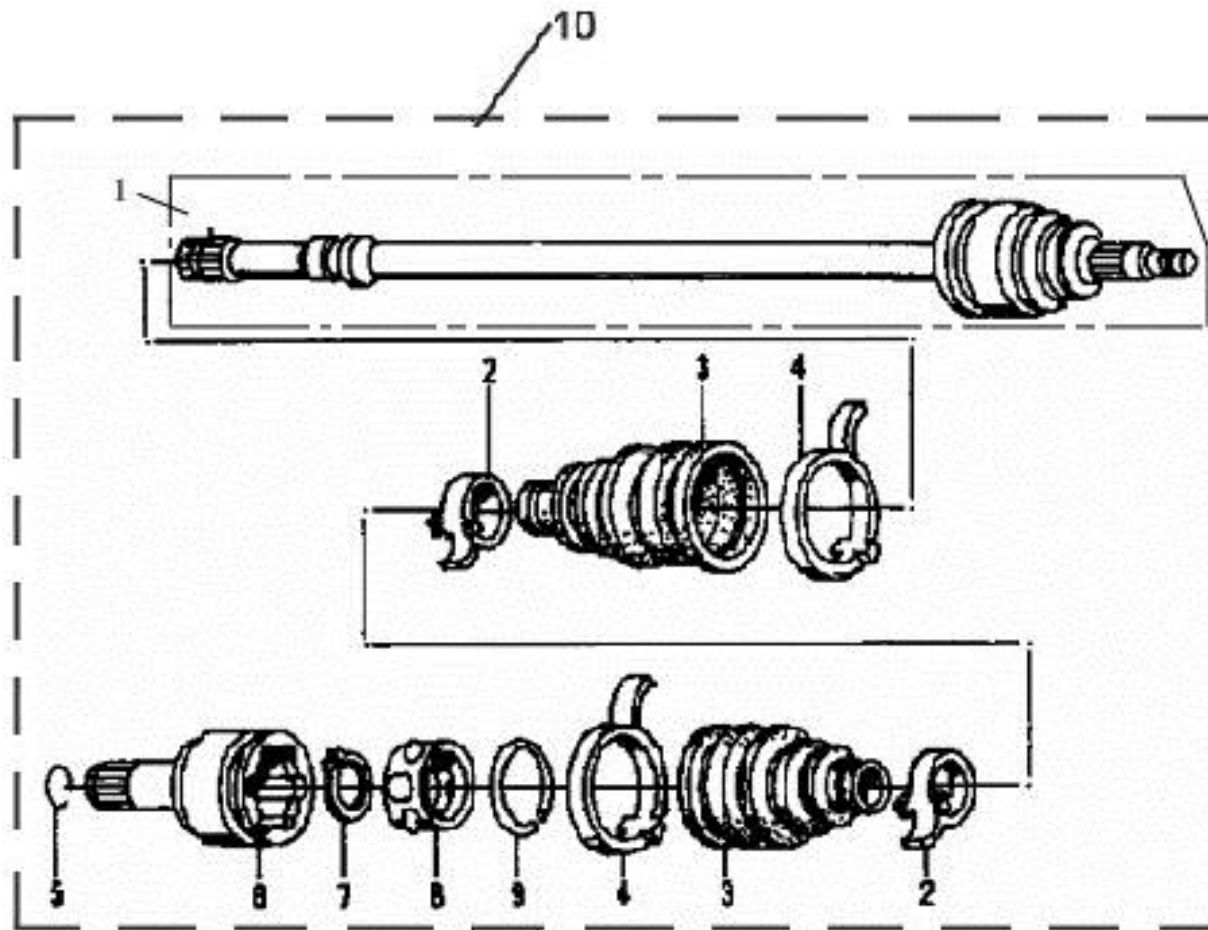


Fig. 10	PL. Nr	Varenavn	Art name	Oe-ref.nr	Antal/pcs
1			DRIVE AXLE/OUTER CV JOINT ASSEMBLY	27136	2
				/	2
				/	12
				27113	2
	9033807	Fjederlåsering		24405	2
				/	2
2	9030059	Spændebånd	BOOT BAND "A"	24402	1
3	9029788	Manchet Yderst Ø22 L85	OUTER BOARD BOOT	24403	1
4	9030058	Spændebånd	BOOT BAND "B"	24404	1
5	9039519	Låsering f/kardan	STOPPER RING B	70084	1
6	N.A		OUTER CV JOINT	70360	1
7	9033806	Låsering	CIRCLIP 20	24407	1
8	N.A		STEEL BALL BRACKET STEEL BALL AND GEAR WHEEL	25535	2
	N.A			25534	2
	N.A			25533	6
9	9033809	Fjederlåsering	STOPPER RING A	24409	1
10	9043357	Trækaksel komplet H+V	REAR DRIVE AXLE	27112	1

Fig. 11 Shift rod

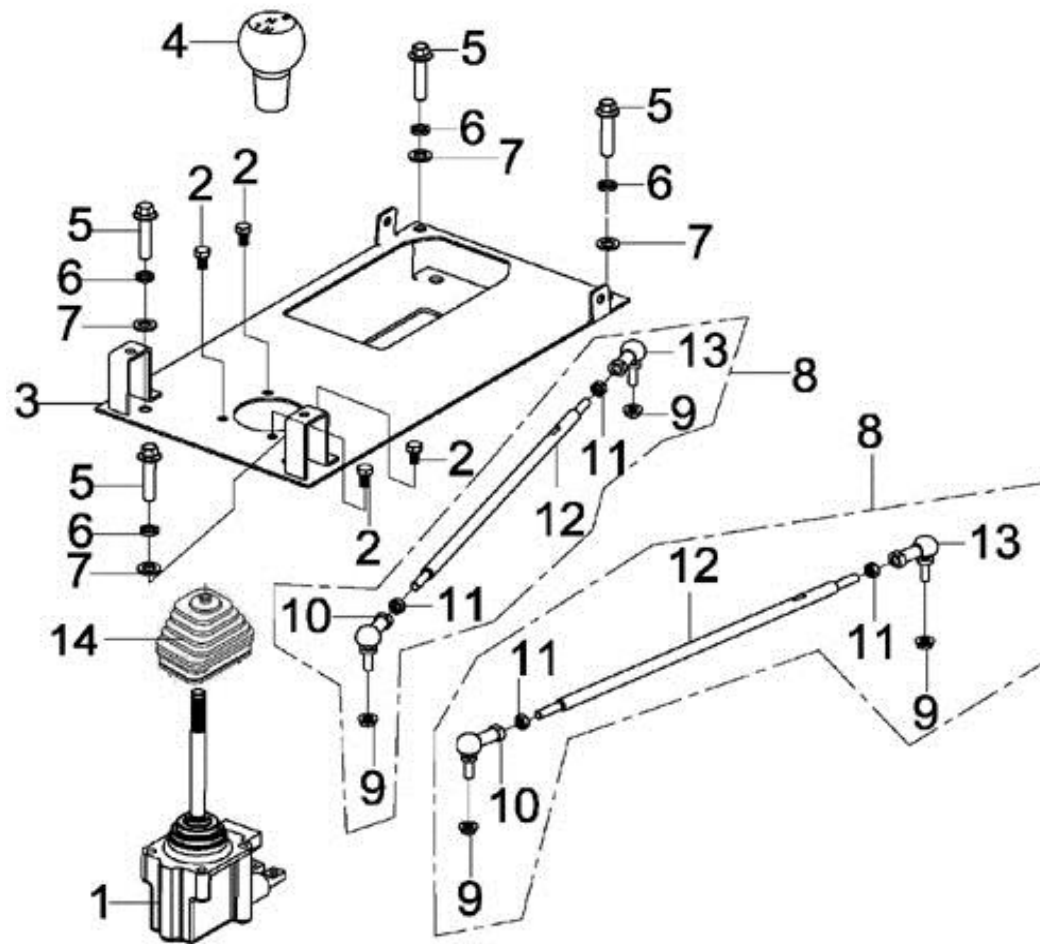


Fig. 11	PL. Nr	Varenavn	Art name	Oe-ref.nr	Antal/pcs
1	9033844	Gearskifte komplet	SHIFFER ASSY	26722	1
2	N.A		BOLT M6X16	10272	4
3	9033853	Beslag f/gearskifte	BRACKET,SHIFTER	26723	1
4	9033855	Gearknop	KNOB	26724	1
5	9050231	Bolt	BOLT M8X20	26258	4
6	9050202	Planskive	WASHER 8	10068	4
7	N.A		WASHER SPRING 8	10106	4
8	9033863	Skiftestang m/kugleled	SHIFTER MOUNTING ROD	26725	2
9	9050206	Møtrik M6	NUT M6	10004	4
10	9030801	Kuglehovede M6 links	SHIFT ROD END CCW	21625	2
11	9033846	Møtrik M6	NUT M6	10090	4
12	9033847	Gevindstang	SHIFT ROD	26726	2
13	9029715	Kugleled	SHIFT ROD END CW	21620	2
14	9033849	Manchet f/gearstang	BOOT, SEALING	26727	1

Fig. 12 Rear gear box

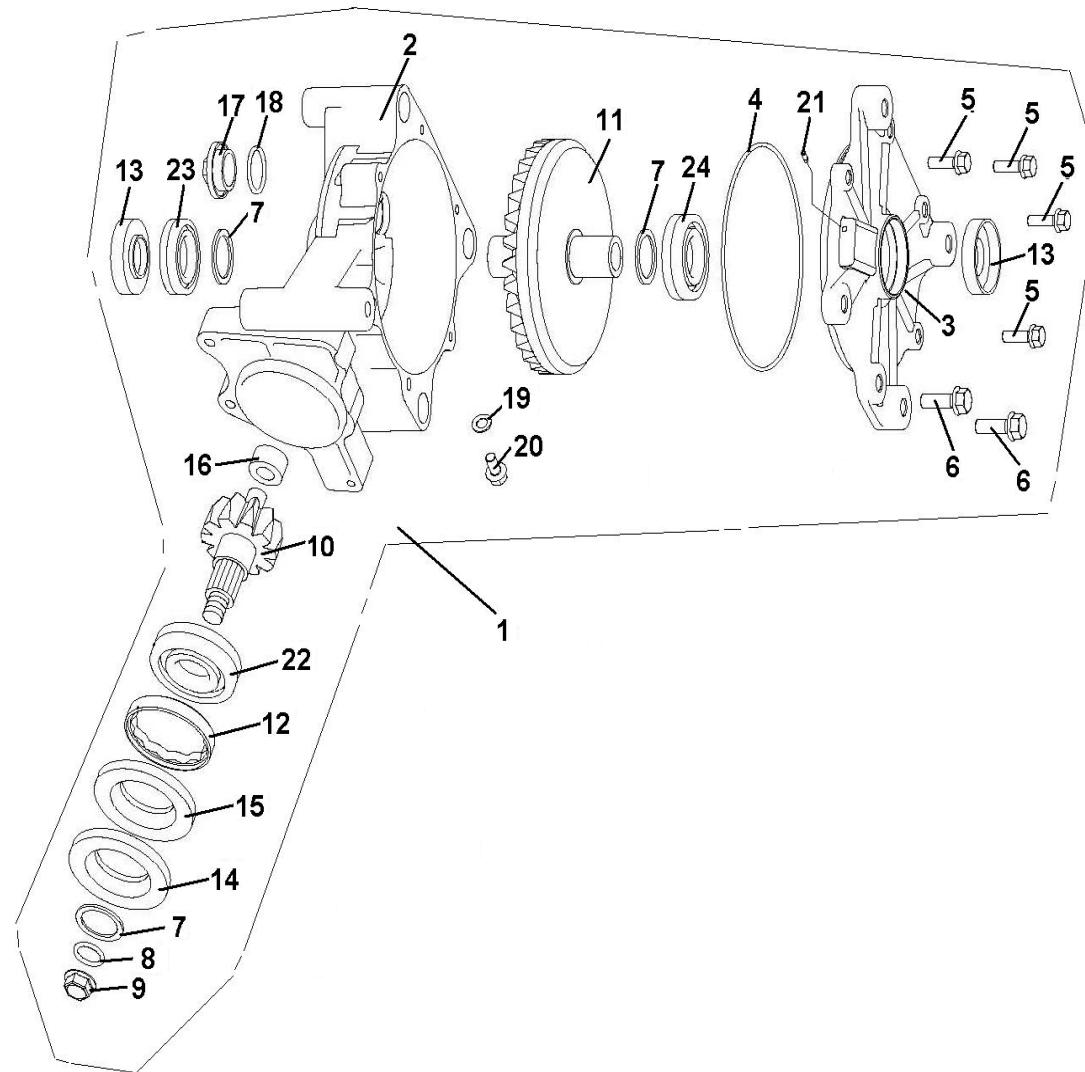


Fig. 12	PL. Nr	Varenavn	Art name	Oe-ref.nr	Antal/pcs
1	9039455	Bagtøj komplet	REAR GEAR-BOX ASSY	70286	1
2	N.A		DRIVE HOUSING	70291	1
3	N.A		OUTPUT COVER	70292	1
4	9039459	O-Ring	O-RING 160X2.65	70293	1
5	9033941	Bolt	BOLT M8X28	10060	4
6	N.A		BOLT M10X1.25X28	70010	2
7	N.A		WASHER 31	70294	3
8	9039460	O-Ring	O-RING 20X3	70295	1
9	N.A		NUT M16X1.5	70296	1
10	N.A		OUTPUT AXLE,RING REAR GEAR-BOX	70297	1
11	N.A		INPUT AXLE,RING REAR GEAR-BOX	70298	1
12	N.A		LOCK NUT	70299	1
13	9039456	Pakdåse	SEAL 30X55X11	70288	2
14	9039457	Pakdåse	SEAL 38X85X8	70289	1
15	9039458	Pakdåse	SEAL 38X80X8	70290	1
16	9039454	Leje	BEARING 15NQ2815	44104	1
17	9034543	Påfyldnings prop	OIL SCREEN CAP	24305	1
18	N.A		O-RING	50082	1
19	9031007	Skive	WASHER	20818	1
20	9031006	Aftapningsprop	OIL PLUG	20817	1
21	9033966	Udluftnings fitting	VENT TUBE FITTING	21340	1
22	9038586	Leje	BEARING 6306	70019	1
23	9038553	Leje	BEARING 6006	10202	1
24	N.A		BEARING	27039	1

Fig. 13 Knuckle

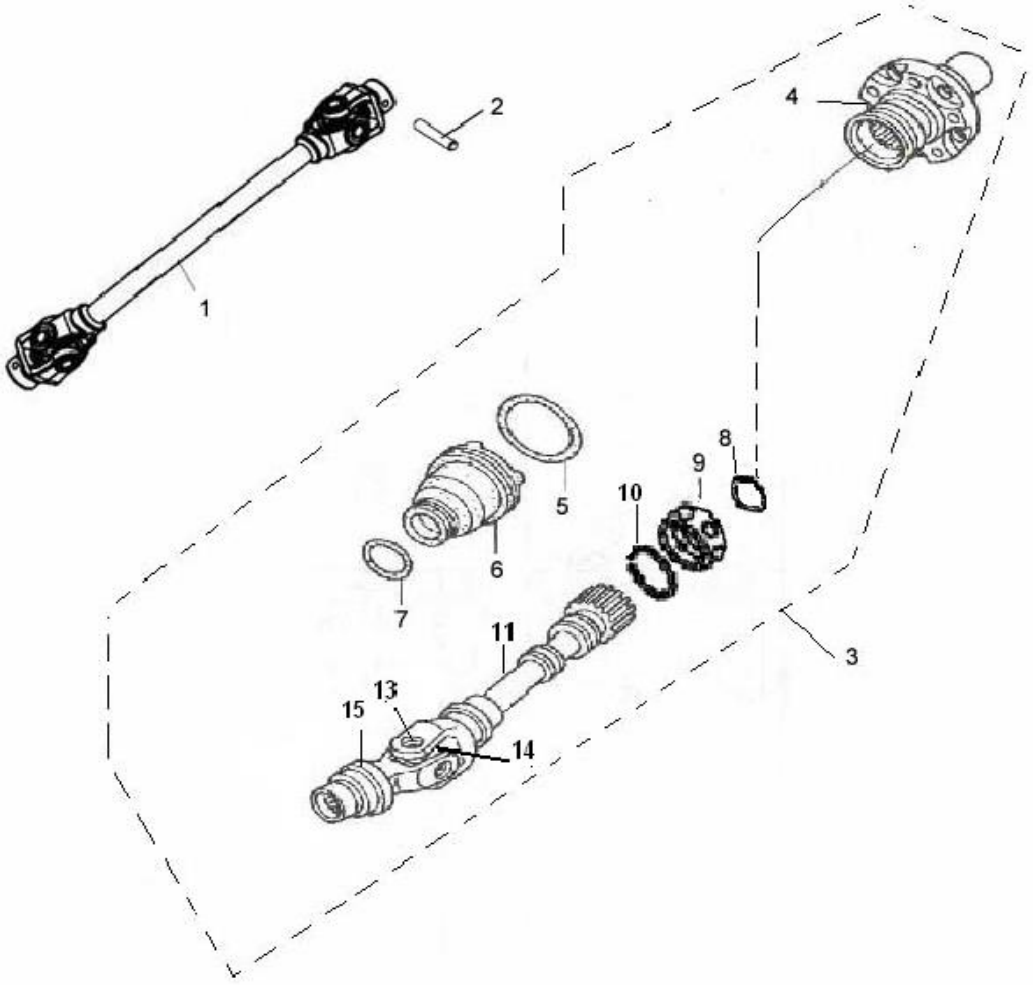


Fig. 13	PL. Nr	Varenavn	Art name	Oe-ref.nr	Antal/pcs
1	N.A		FRONT KNUCKLE	46019	1
2	N.A		PIN 8	20716	1
3	9044065	Kardan komplet bagud	REAR KNUCKLE	27106	1
4	N.A		JOINT, INBOARD	27094	1
5	N.A		BOOT BAND A	27099	1
6	N.A		OUTER BOARD BOOT	27101	1
7	N.A		BOOT BAND B	27102	1
8	N.A		CIRCLIPS FOR SHAFT	27098	1
9	N.A			27095	1
	N.A		STEEL BALL BRACKET STEEL BALL AND GEAR WHEEL	27097	1
	N.A			27096	6
10	N.A		STOPPER RING	27100	1
11	N.A		SPLING AXLE	27103	1
13	N.A		CIRCLIP 20	70044	2
14	N.A		U-JOINT CROSS	27079	1
15	N.A		SPLINE AXIS JOINT	27080	1

Fig. 14 Transmission

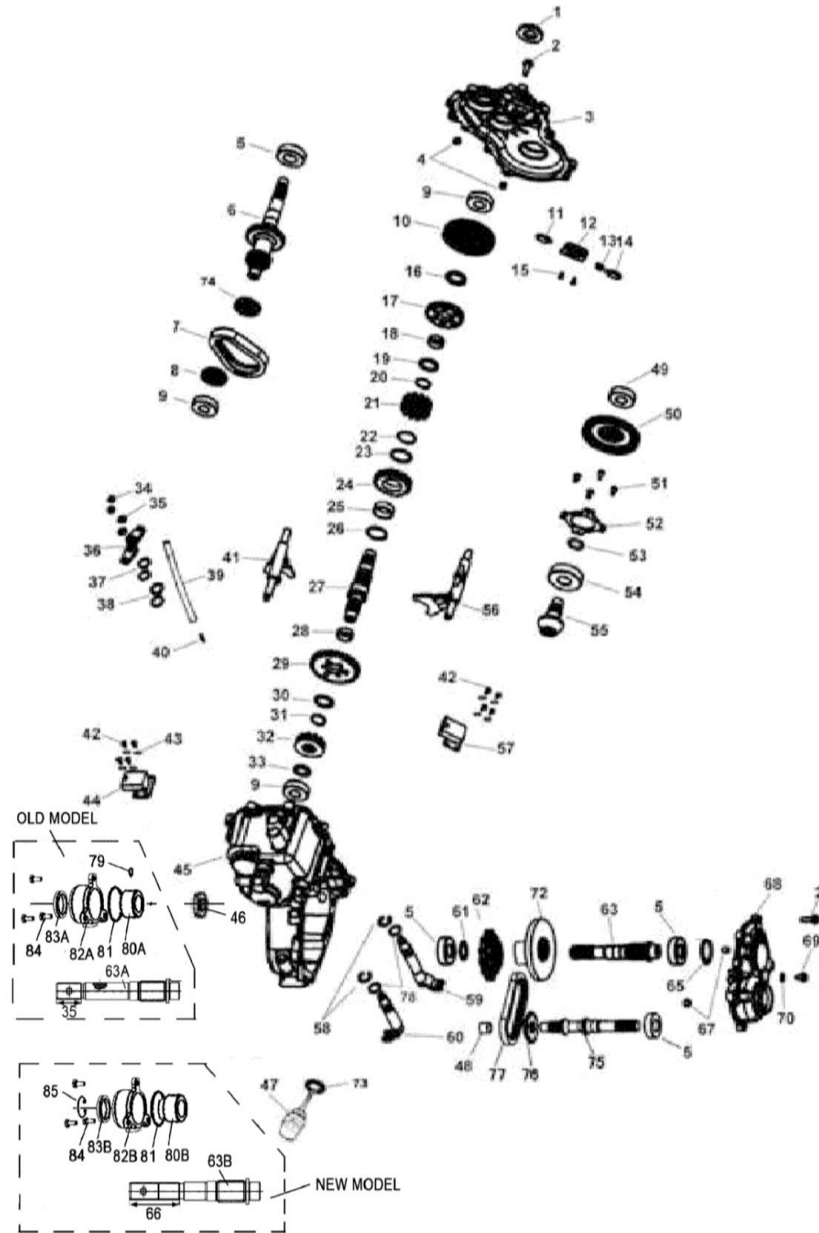


Fig. 14	PL. Nr	Varenavn	Art name	Oe-ref.nr	Antal/pcs
1	9029642	Pakdåse	SEAL 25X47X8	21201	1
2	9033941	Bolt	BOLT M8X28	10060	17
3	9033953	Geardæksel	MAIN COVER (USE WITH HIGH-POWER CLUTCH)	21203b	1
4	9033895	Stift/styretap	DOWEL PIN	21104	2
5	9033978	Leje	BEARING 6205c3	10061	3
6	9033990	Indgangsaksel 29T	INPUT SHAFT 29T	21206b	1
7	9042315	Kæde	CHAIN	21207	1
8	9034018	Kædehjul i gearkasse	GEAR 16T	21208	1
9	9036036	Leje	BEARING 6204	10062	3
10	9033390	Tandhjul 31T	GEAR, HELICAL 31T	21210a	1
11	9033931	Låsepal	INTERLOCK PIN	21211	2
12	9033932	Låsebeslag	INTERLOCK BRACKET	21212	1
13	9033933	Fjeder	SPRING	21213	1
14	9033931	Låsepal	INTERLOCK PIN	21211	1
15	9033898	Skrue M5	SCREW M5X12	10001	2
16	9042319	Afstands skive	SPACER	21216	1
17	9042320	Tandhjul 31T	GEAR 31T	21217	1
18	9030970	Nåleleje	NEEDLE BEARING 25	21218	1
19	9030946	Trykskive	THRUST WASHER	21219	1
20	9033942	Låsering	SNAP RING	10064	1
21	9030948	Skiftemuffe	DOG GEAR	21221	1
22	9033944	Låsering	SNAP RING	10065	1
23	9033945	Trykskive	THRUST WASHER	21223	1
24	9033946	Gearhjul 24T	SPROCKET 24T	21224	1
25	9033947	Nåleleje	NEEDLE BEARING 25	21225	1
26	9033945	Trykskive	THRUST WASHER	21223	1
27	9033949	Aksel	SHAFT	21327	1
28	9030970	Nåleleje 25	NEEDLE BEARING 25	21218	1
29	9033951	Tandhjul 35T	GEAR 35T	21329	1
30	9033945	Trykskive	THRUST WASHER	21223	1
31	9033942	Låsering	SNAP RING	10064	1
32	9033956	Griber	ENGAGEMENT	21332	1
33	9033945	Trykskive	THRST WASHER	21333	1

34	9050207	Møtrik M8	NUT M8	10067	2
35	9050202	Planskive	WASHER 8	10068	2
36	9030968	Forbindelse	BELLCRANK	21336	2
37	9033961	Låsering	SNAP RING	10069	2
38	9033962	Skive	WASHER	21338	2
39	9033963	Udluftnings slange	VENT TUBE	21339	1
40	9033966	Udluftnings fitting	VENT TUBE FITTING	21340	1
41	9033967	Skiftegaffel frem/bak	SHIFT FORK HIGH/REVERSE	21341	1
42	9033968	skrue	SCREW M4	10007	8
43	9033969	Skive	WASHER 4	10071	8
44	9029643	Gearindikator	GEAR INDICATOR SWITCH	21344	1
45	9033972	Gearkassehus højre for m/følere	GEARCASE,RH (USE WITH SPEED SENSOR)	21345b	1
46	9029642	Pakdåse	SEAL 25X47X8	21201	1
47	9029644	Oliepind	DIPSTICK	21475	1
48	N.A		SCREW	10219	1
49	9036036	Leje	BEARING 6204C3	10062	1
50	9033979	Tandhjul 51T	GEAR HELICAL 51T	25109	1
51	9033980	Skrue	SCREW M6X10	10073	4
52	9030964	Låseplade	BEARING RETAINER PLATE	21351	1
53	9033982	Låsering	SNAP RING	21453	1
54	9033983	Leje	BEARING 6305ST	10074	1
55	9033984	Drivaksel 10T	PINION SHAFT 10T	21455	1
56	9033985	Skiftegaffel lav	SHIFT FORK LOW	21456	1
57	9030676	Gearkontakt nederst	GEAR INDICATOR SWITCH	21457	1
58	9033987	Låsering	SNAP RING	10075	2
59	9033988	Skiftearm lav	SHIFT ROD LOW	21459	1
60	9033991	Skiftearm høj/bak	SHIFT ROD HIGH/REVERSE	21460	1
61	9033992	Trykskive	THRUST WASHER	21461	1
62	9030955	Kronhjul	GEAR	21462	1
63	9030956	Udgangs aksel	SHAFT REAR OUTPUT	21463	1
63B	9039571	Udgangsaksel	SHAFT REAR OUTPUTA (USE WITH SPEED SENSOR)	70354	1
65	9030957	Shim1	SHIM 1	21465	1
67	9033895	Styretap	DOWEL PIN	21104	1
68	9034001	Dæksel	COVER	21468	1

69	9030959	Bundprop	DRAIN SCREW	21469	1
70	9034005	Skive	WASHER	21470	1
72	9030955	Tandhjul	GEAR	21462	1
73	9029733	O-ring	O RING 18X2.65	10122	1
74	9034009	Tandhjul	SPROCKET	21477	1
75	9034100	Udgangs aksel	SHAFT FRONT OUTPUT	21480	1
76	9034101	Tandhjul/kæde 12T	SPORCKET 12T	21481	1
77	9030677	Kæde	CHAIN	21482	1
78	9029714	O-ring	O RING 14X2.65	10123	4
80	9034107	Krave/bøsning model 2014>	COLLAR(NEW MODEL)	25511a	1
80	9034106	Krave/bøsning model >2014	COLLAR Old model	25511	
81	9034014	O-ring	O RING 50X1.5	25512	1
82	9034016	Speed censor	SPEED SENSOR COVER(NEW MODEL)	25513	1
83	9034020	Pakdåse	SEAL30X40X5 (NEW MODEL)	27068	1
84	9034021	Bolt	BOLT	10010	3
85	9034022	Låsering	CLAMP 24(NEW MODEL)	10164	1

Fig. 15 Support bracket

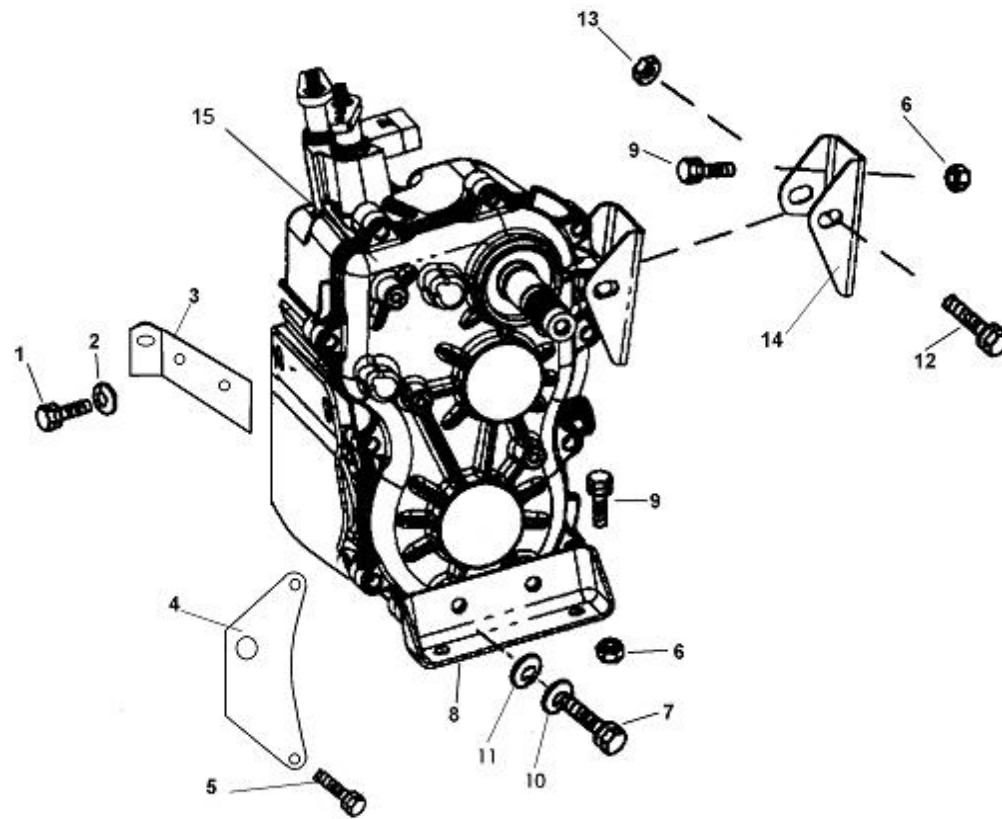


Fig. 15	PL. Nr	Varenavn	Art name	Oe-ref.nr	Antal/pcs
1	9050249	Bolt M12X20	BOLT M12X20	10076	2
2	9050204	Planskive	WASHER 12	10054	2
3	N.A		TRANSMISSION MOUNTING BRACKET RIGHT	27292	1
4	9034132	Monterings beslag Venstre	TRANSMISSION MOUNTING BRACKET LEFT	21504	1
5	9050232	Bolt M8X30	BOLT M8X30	10078	3
6	9050207	Møtrik	NUT M8	10079	3
7	9033910	Bolt	BOLT M10X25	10028	2
8	9033904	Monterings beslag nederst	TRANSMISSION MOUNTING BRACKET BOTTOM	21508	1
9	9050231	Bolt M8X20	BOLT M8X20	10081	3
10	9050203	Planskive	WASHER 10	10027	2
11	N.A		WASHER	10019	2
12	9033918	Bolt	BOLTM10X1.25X70	10084	1
13	9050208	Møtrik	NUT M10	10015	1
14	9033916	Monterings beslag bag	TRANSMISSION MOUNTING BRACKET REAR	21514	1
15	N.A		TRANSMISSION ASSY(4WD、FOR SPEED SENSOR)	26282	1

Fig. 16 Front drive axel

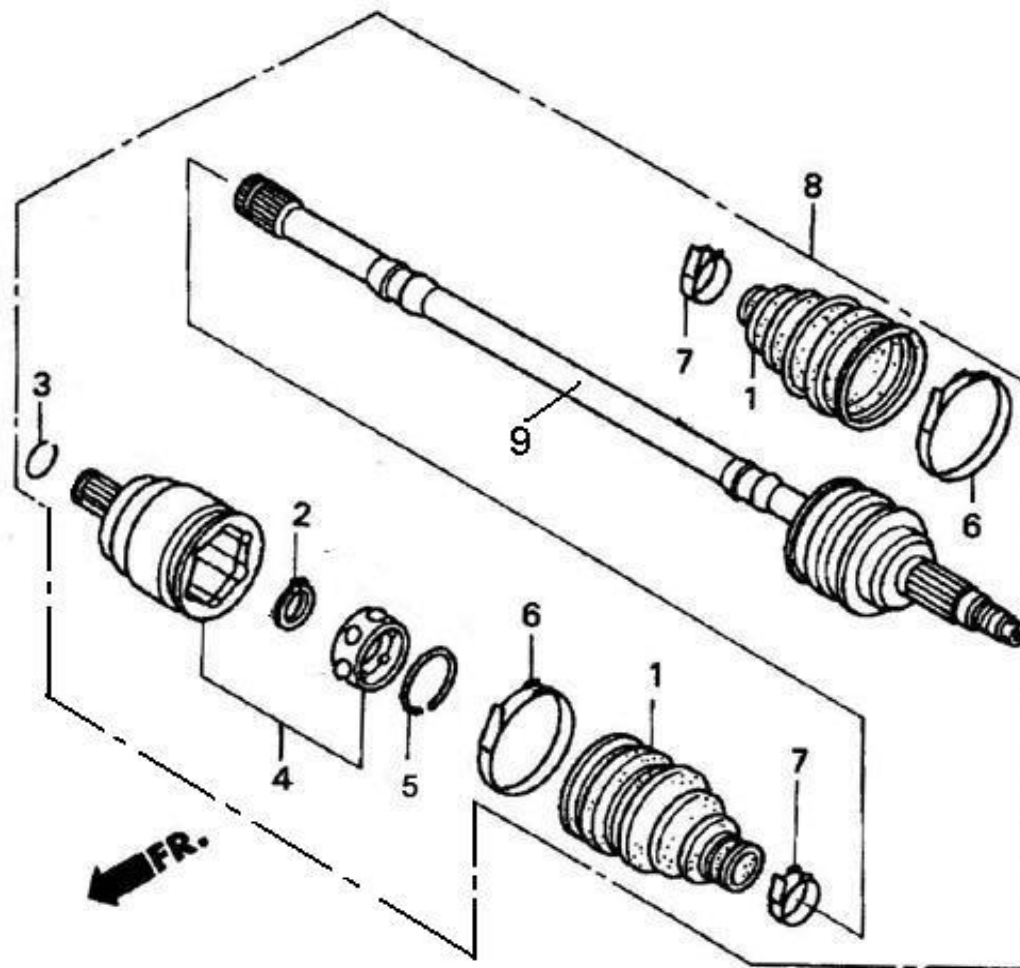


Fig. 16	PL. Nr	Varenavn	Art name	Oe-ref.nr	Antal/pcs
1	9029788	Manchet yderst	OUTER BOARD BOOT	24403	4
2	9033806	Låsering	CIRCLIP 20	24407	2
3	9033807	Fjederlås	ATOPPER RING	24405	2
4			JOUNT,INBOARD(CONTAIN INBOARD AXLE STEEL	70961	2
	N.A		BALL BRACKET STEEL BALL AND GEAR WHEEL)	25535	2
				25534	2
				25533	6
5	9033809	Fjederlås	STOPPER RING	24409	2
6	9030058	Spændebånd	BOOT BAND B	24404	4
7	9030059	Spændebånd	BOOT BAND A	24402	4
8	9043050	Trækaksel komplet forrest h+v	FRONT DRIVE AXLE	27111	2
9			DRIVE AXLE/OUTER CV JOINT ASSEMBLY	27089	2
				/	2
				/	12
				27081	2
				24405	2
				/	2

Fig. 17 Engine assy

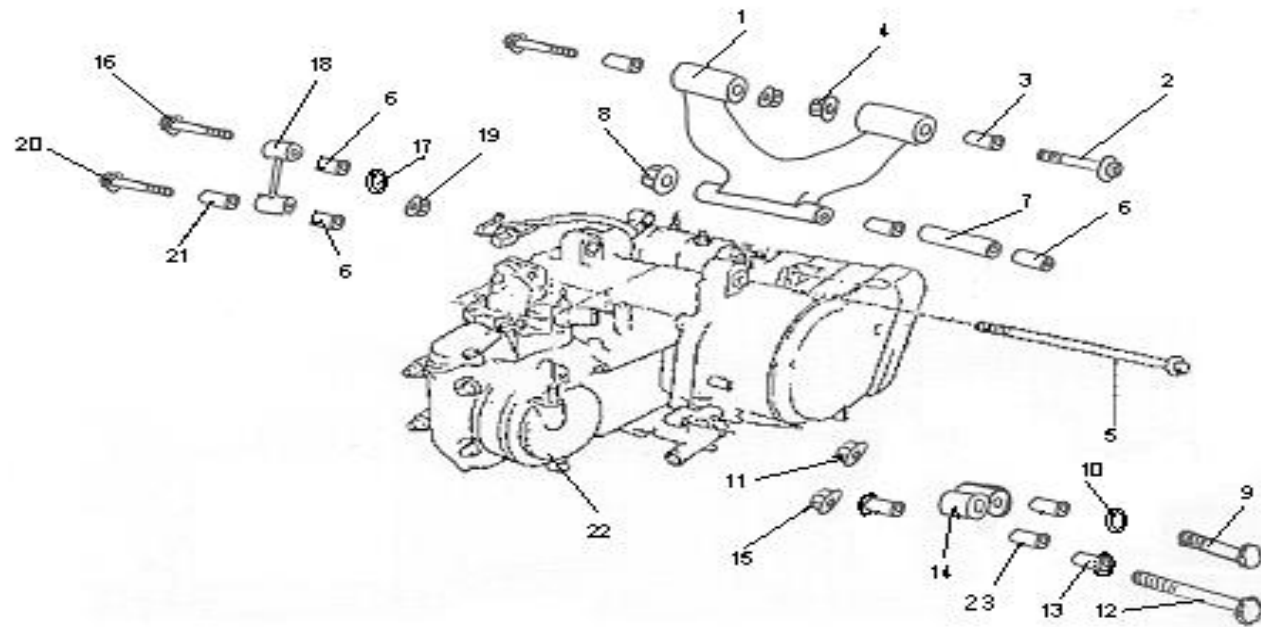


Fig. 17	PL. Nr	Varenavn	Art name	Oe-ref.nr	Antal/pcs
1	9040320	Motorophæng forrest	FRONT ENGINE MOUNT BRACKET	27291	1
2	9034164	Bolt	ENGINE BRACKET BOLT	24202	2
3	9029786	Bøsning forrest motorbeslag	BUSHING ENGINING BRACKET1	24203	2
4	9033896	Møtrik	NUT M12X1.25	10136	2
5	N.A		ENGINE MOUNTING BOLT	27294	1
6	9029865	Bøsning forrest	BUSHING ENGINING BRACKET2	24206	4
7	N.A		SPACER ENGINE BRACKET	27293	1
8	9031005	Møtrik	NUT M10X1.25	10015	1
9	9034175	Bolt	BOLT M10X1.25X55	10016	1
10	N.A		WASHER	27295	1
11	9031005	Møtrik	NUT M10X1.25	10015	1
12	9034156	Bolt	BOLT M8X120	10137	1
13	9029782	Mellemlæg venstre	LEFT SPACER	24213	2
14	9029783	Motorbeslag venstre	STAY ENGINE LEFT	24214	1
15	9050207	Møtrik M8	NUT M8	10079	1
16	9034160	Bolt	BOLT M10X1.25X68	10138	1
17	9034161	Skive	WASHER	24217	1
18	9029784	Motorbeslag højre	STAY ENGINE RIGHT	24218	1
19	9031005	Møtrik	NUT M10X1.25	10015	1
20	9034165	Bolt	BOLT M8X65	10139	1
21	9029785	Mellemlæg højre	RIGHT SPACER	24221	2
22	9040319	Motor komplet	ENGINE ASSY	27218	1
23	9030057	Bøsning	BUSHING	24223	2

Fig. 18 Bumper

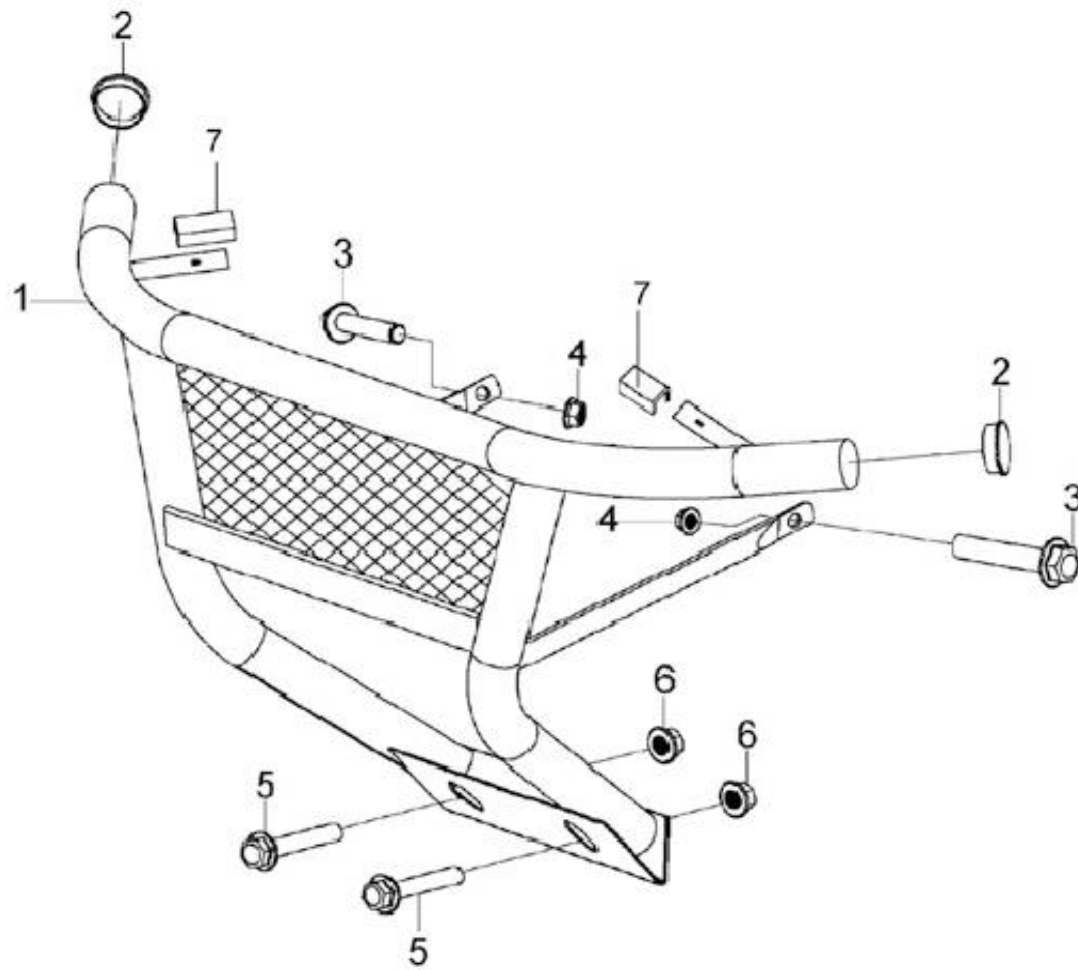


Fig. 18	PL. Nr	Varenavn	Art name	Oe-ref.nr	Antal/pcs
1	9034177	Kofanger A-type	BAR,CARRY FRONT (FOR A TYPE)	26762	1
2	9034179	Prop til A-type kofanger	PLUG (ONLY FOR A TYPE)	26763	2
3	9050242	Bolt M10X40	BOLT M10X40	10167	2
4	9050208	Møtrik M10	NUT M10	10015	2
5	9050231	Bolt M8X20	BOLT M8X20	10081	2
6	9050207	Møtrik M8	NUT M8	10079	2
7	9034184	Gummikrave	RUBBER CUSHION	26764	2

Fig. 19 Box assy

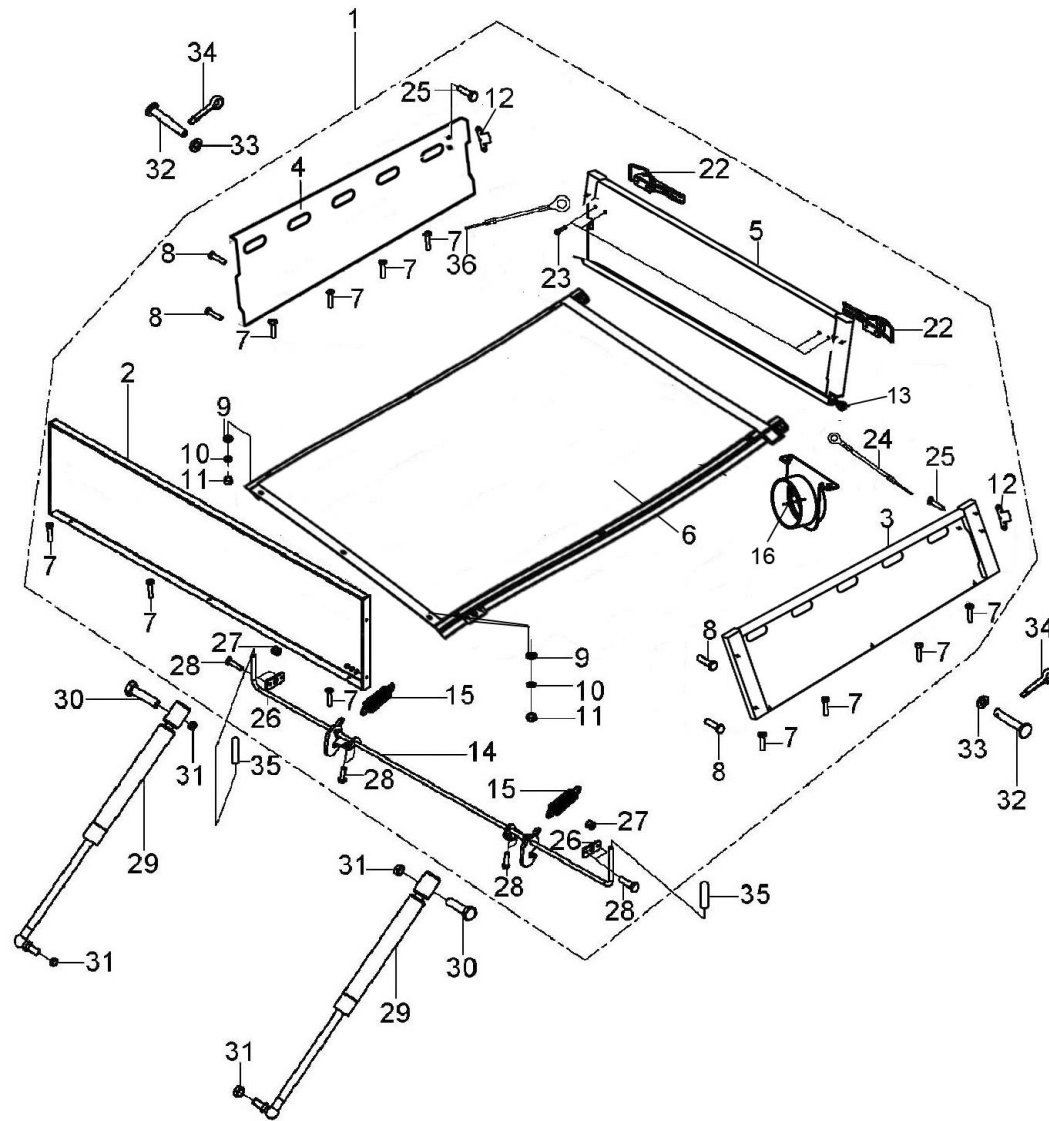


Fig. 19	PL. Nr	Varenavn	Art name	Oe-ref.nr	Antal/pcs
1	N.A		CARRIER BOX ASSY	46020	1
2	N.A		BOX COVER,FR	46021	1
3	N.A		BOX COVER,L	46022	1
4	N.A		BOX COVER,R	46023	1
5	N.A		BOX COVER,RR	46024	1
6	N.A		BOX FLOOR COVER	46025	1
7	N.A		BOLT M6X16	10272	11
8	9050223	Bolt M6X40	BOLT M6X40	26254	4
9	9050201	Planskive	WASHER 6	10006	15
10	N.A		WASHER SPRING 6	10308	15
11	9050206	Møtrik M6	NUT M6	10090	15
12	N.A		HOOK	46026	2
13	N.A		COLLAR	46027	2
14	N.A		LATCH ASSY	46028	1
15	9034192	Fjeder	SPRING	26778	2
16	N.A		BRACKET,TAILLIGHT	46029	2
22	9034200	Lukkebeslag	LATCH	26767	2
23	9034201	Bolt	BOLT M6X65	10161	4
24	9034202	Holdestrop venstre	HOLDER CABLE, L	26768	1
25	9034190	Bolt	BOLT M6X16	10183	2
26	9034204	Holdepal	HOLDER,LATCH	26782	2
27	9034205	Gummiprop	RUBBER SHEATH	26783	2
28	9034201	Bolt	BOLT M6X16	10183	8
29	9034207	Gasdæmper	DAMPER	26784	2
30	N.A		BOLT M8x35	10124	2
31	9050207	Møtrik M8	NUT M8	10079	4
32	9034211	Nagle	PIN AXLE	26785	2
33	9050204	Planskive	WASHER 12	10032	2
34	9036799	Split	PIN 4X20	26266	2
35	9034214	Beskyttels greb	CAP,PROTECTOR END	26786	2
36	9034215	Holdestrop højre	HOLDER CABLE, R	26769	1

Fig. 20.1 Lamp assy

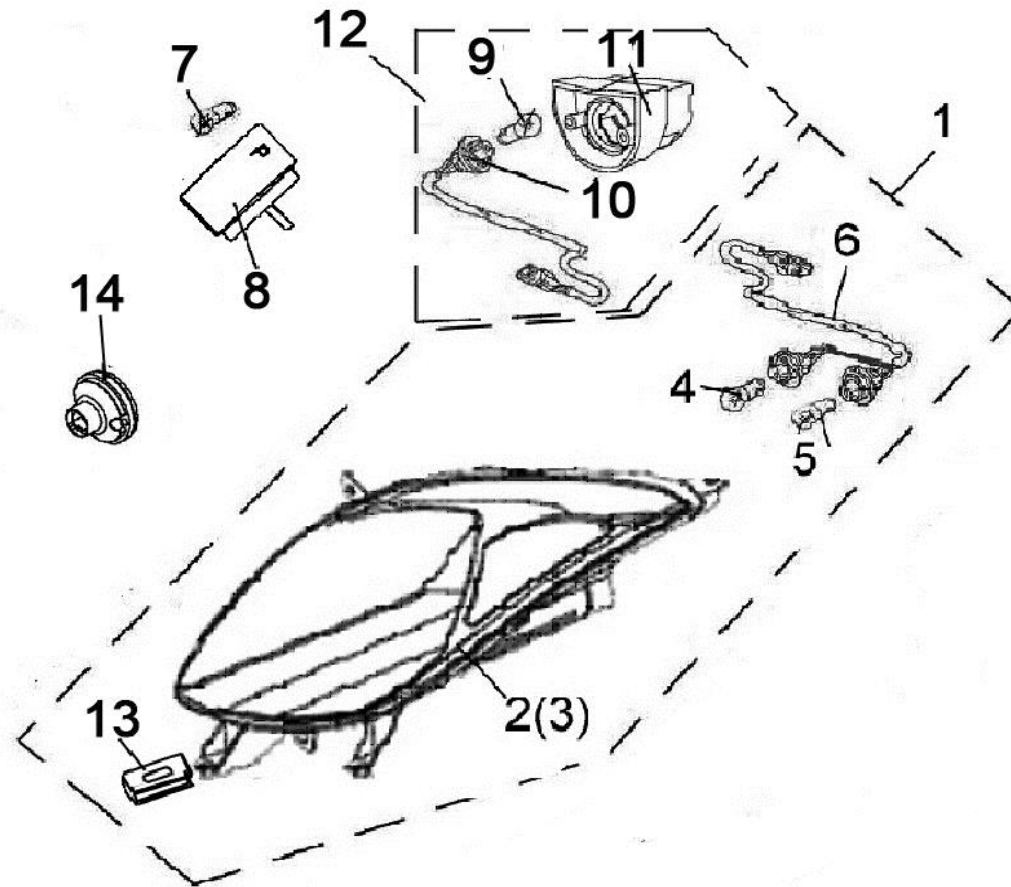


Fig. 20.1	PL. Nr	Varenavn	Art name	Oe-ref.nr	Antal/pcs
1	9030102	Forlygte venstre	HEADLIGHT ASSY, L (FOR A TYPE)	22353	1
1A	9030103	Forlygte højre	HEADLIGHT ASSY, R (FOR A TYPE)	22314	1
2	9034270	Forlygte løs venstre	HEADLIGHT ,L	26286	1
3	9034281	Forlygte løs højre	HEADLIGHT,R	26285	1
4	9034279	Forlygtepære 12V 35/35W	BULB,HEADLIGHT HS SHAPE	22371	2
5	9034264	Positionslys pære 12V5W	BULB,POSITION LIGHT	32046	2
6	9034292	Fatning forlygtepære	SOCKET,HEADLIGHT	26287	1
7	9034264	Pære 12V5W	BULB 12V 5W	32046	1
8	9034265	Kontrol lampe for bremse	PARKING BRAKE INDICATOR LAMP	26808	1
9	9034264	Pære 12V5W	BULB 12V 5W	32046	1
10	9034267	Fatning nr. pladelys	SOCKET,LICENSE LIGHT	26807	1
11	9034268	Lygteglas f/ nr.pladelys	LENS,LICENSE LIGHT	26806	1
12	9034271	Nr.pladelyget komplet	LICENSE LIGHT ASSY	26805	1
13	9034285	Clips f/forlygte	HEADLIGHT CLIP (FOR A TYPE)	26813	6
14	N.A		TAILLIGHT	46030	2

Fig. 20.2 Reflection

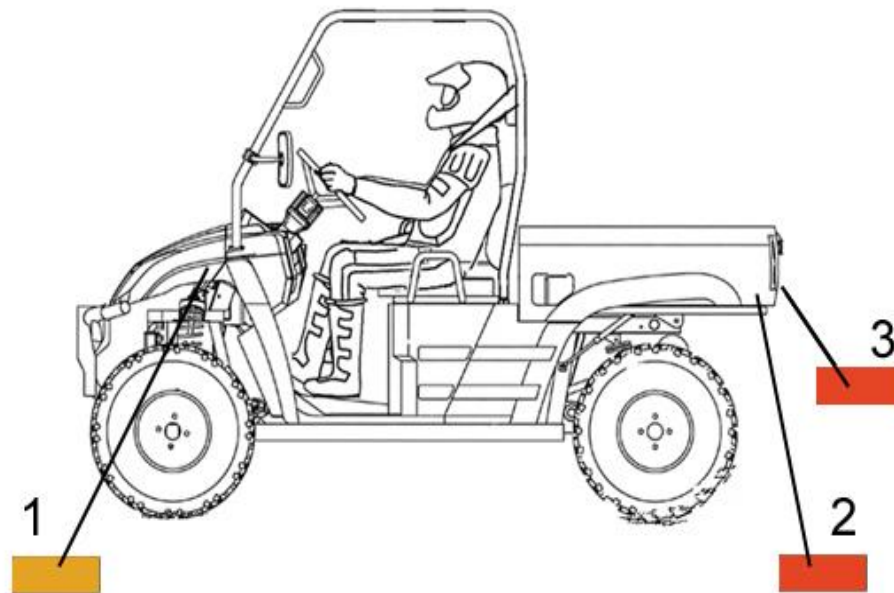


Fig. 20.2	PL. Nr	Varenavn	Art name	Oe-ref.nr	Antal/pcs
1	9034296	Reflex gul	FRONT REFLECTOR YELLOW (FOR US)	26814	2
2	9034297	Reflex rød	REAR REFLECTOR RED (FOR US)	26815	2
3	N.A		REAR REFLECTOR RED (FOR EUROPE)	27076	2

Fig. 20.3 Electrical system

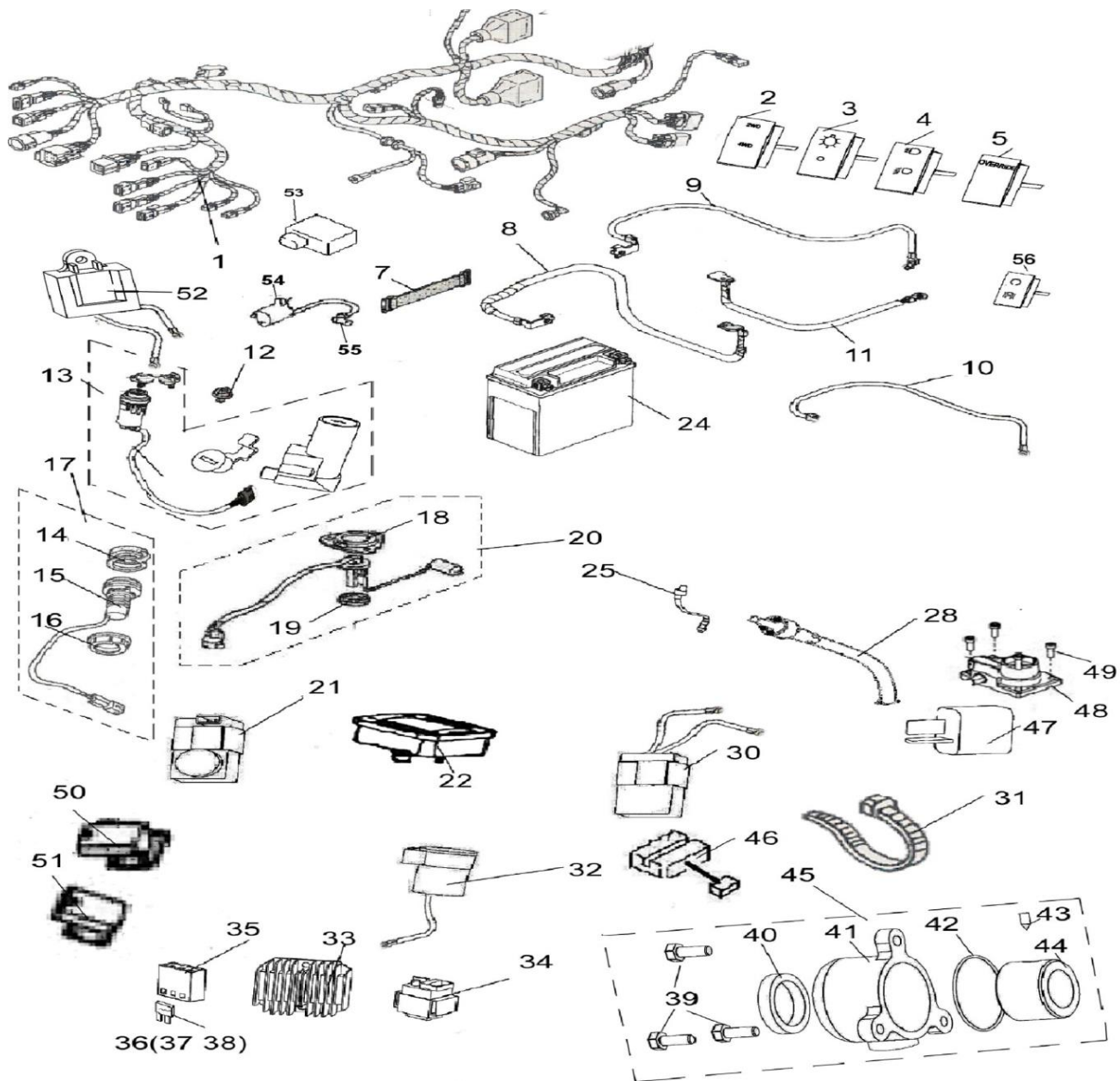


Fig. 20.3	PL. Nr	Varenavn	Art name	Oe-ref.nr	Antal/pcs
1	9059076	Ledningsnet Eu	WIRING HARNESS (FOR USA)	46031	1
2	9034311	Kontakt 2WD/4WD	SWITCH "2WD"/"4WD"	26809	1
3	N.A		LIGHT SWITCH (ONLY FOR US)	27083	1
4	N.A		HI/ LO BEAM SWITCH (ONLY FOR US)	27082	1
5	9034345	Kontakt override	OVERRIDE SWITCH	26796	1
7	N.A		BATTERY BELT	27084	1
8	9034351	Batterikabel 1	STARTER WIRE 1	26788	1
9	9034352	Batterikabel 2	STARTER WIRE 2	26789	1
10	9034300	Batterikabel 3	STARTER WIRE 3	26790	1
11	9034301	censorkabel	SENSOR CABLE	26794	1
12	9034302	Nøgle f/tændingslås	KEY BLANK	26793	1
13	9034303	Tændingslås komplet./incl nøgle	LOCK ASSY	26792	1
14	N.A		CAP	70401	1
15	N.A		SOCKET,ACCESSORY	70402	1
16	N.A		NUT	70403	1
17	9039597	Extern 12V stik	ACCESSORY SOCKET ASSY	70400	1
18	9034308	Låseplade	FUEL SENSOR FIXBOAD	26812	1
19	9034309	Pakning/tætning	FUEL SENSOR OIL-SEAL	26811	1
20	9034312	Tankføler	FUEL SENSOR	26810	1
21	9029661	Bakalarm	REVERSE GEAR WARNING	32038	1
22	9034315	Speedometer	LCD METER (FOR US)	26993	1
24	9031775	Batteri 12V18Ah	BATTERY (MTX14-BS)	70407	1
25	9034318	Del af 9029713	SPEED SENSOR	32020b	1
28	9039598	Bremsekontakt	BRAKE SWITCH	70405	2
30	9029670	Hastigheds begrænser bagegear	REVERSE SPEED LIMITER	22002a	1
31	9035463	Kabelbinder	TIE	25530	20
32	N.A		FLASHER RELAY ASSY	1301159	1
33	9030080	Laderelæ	REGULATOR RECTIFIER	22007	1
34	9030079	Start relæ	STARTER RELAY	22004	1
35	9034329	Sikringsboks	AMP FUSE BOX	70392	1
36	9037547	Sikring	7.5 AMP FUSE	27025	1
37	9037547	Sikring	10 AMP FUSE	27026	1
38	9037547	Sikring	15 AMP FUSE	27027	1
39	9034021	Bolt	BOLT	10010	3
40	9034019	Tætning/pakring	SEAL	25529	1
41	9034015	Dæksel f/føler	SPEED SENSOR COVER	25513	1
42	9034014	O-ring	O RING 50X1.5	25512	1
43	9034011	Skrue	SCREW	25507	1
44	9034012	Krave	COLLAR	25511	1
45	9029713	Hastigheds sensor kit	SPEED SENSOR	21484	1
46	9030032	Modstand	RESISTANCE	32044	1
47	9034342	Beskyttelsesenhed/diode	PROTECTOR	26272	1
48	9029999	Skiftemotor 2WD/4WD	2WD/4WD SHIFT MOTOR	24446	1
49	9034190	Bolt	BOLT M6X16	10183	4

50	9029643	Gearindikator kontakt øverst	GEAR INDICATOR SWITCH	21344	1
51	9030676	Gearindikator kontakt nederst	GEAR INDICATOR SWITCH	21457	1
52	9045172	Beskyttels relæ	PROTECTOR, SHIFT MOTOR	70422	1
53	9039421	CDI Tændingsmodul	CDI	27340	1
54	9030099	Tændspole incl tændkabel/hætte	IGNITION COIL AND WIRE	22012	1
55	N.A		CAP, IGNITION COIL	42503	1
56	N.A		STALLING SWITCH (FOR USA)	621910	1

Fig. 21 Brake system (For Europe)

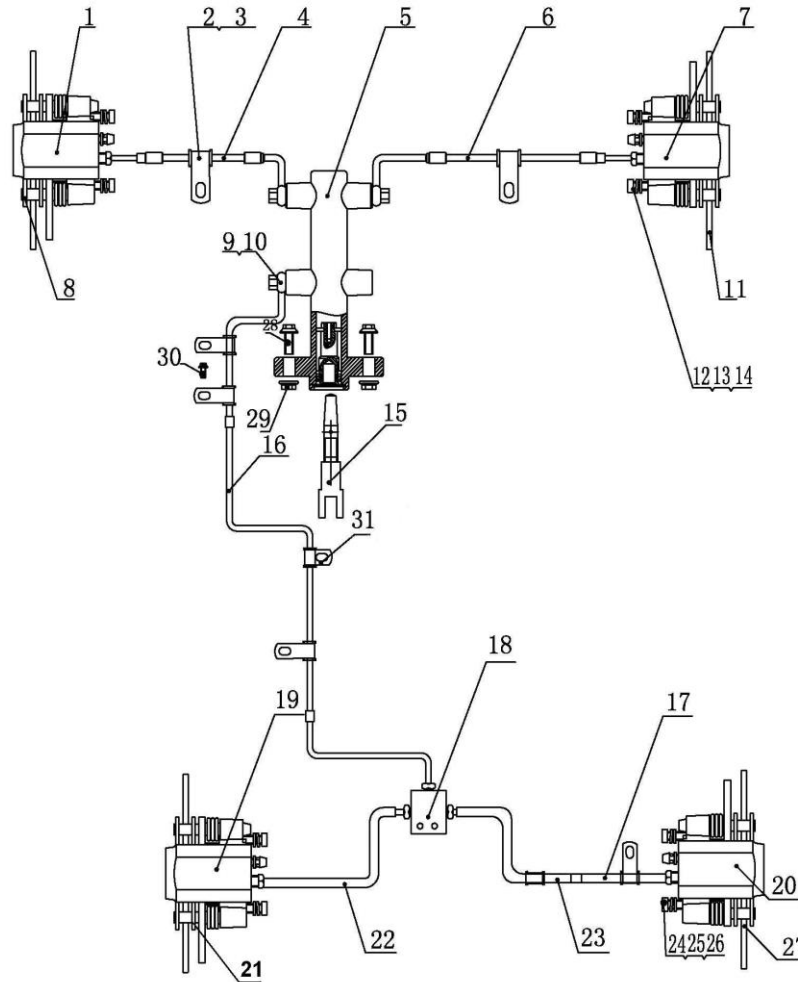


Fig. 21	PL. Nr	Varenavn	Art name	Oe-ref.nr	Antal/pcs
1	9034394	Bremsecaliber venstre for	BRAKE CALIPER , FR, L	26822	1
2	N.A		CLAMP	32104	4
3	9034418	Gummikrave	RUBBER TUBE 1, FR	32105	4
4	9034422	Bremseslange v forrest	FRONT BRAKE HOSE 1	26840	2
5	9034424	Hovedcylinder	MASTER BRAKE CYLINDER	26841	1
6	9034426	Bremseslange h forrest	RUBBER TUBE 2, FR	26857	1
7	9034428	Bremsecaliber højre for	BRAKE CALIPER , FR, R (SEE THE DETAIL ON P	26858	1
8	9034359	Bremseklods sæt	INSIDE/OUTSIDE PAD, FR	26823	4
9	9039643	Banjobolt	OIL BOLT	70550	3
10	N.A			70553	6
11	N.A		DISC BRAKE, FR	27087	2
12	9034397	Bolt	BOLT M8X25	10105	4
13	9033861	Fjederskive	WASHER SPRING	10106	4
14	9033859	Skive	WASHER	10068	4
15	9034400	Trykstang	PUSH ROD	26860	1
16	N.A		RUBBER TUBE , RR	27114	1
17	9043051	Bremseslange h bag	RUBBER TUBE 1, RR	27115	1
18	9029672	Fordeler T-stykke	BRAKE LINE COUPLER	32107	1
19	9034407	Bremsecaliber venstre bag	BRAKE CALIPER , RR, L	26863	1
20	9034408	Bremsecaliber højre bag	BRAKE CALIPER , RR, R (SEE THE DETAIL ON P	26827	1
21	9034368	Bremseklods sæt	INSIDE/OUTSIDE PAD, RR	26864	4
22	9043053	Bremseslange v bag	RUBBER TUBE 2, RR	27116	1
23	9043052	Bremseslange h bag	RUBBER TUBE 3, RR	27117	1
24	9034397	Bolt	BOLT M8X25	10105	4
25	9033861	Fjederskive	WASHER SPRING 8	10106	4
26	9033859	Skive	WASHER	10068	4
27	9033415	Bremseskive bag	DISC BRAKE, RR	26871	2
28	9034416	Bolt	BOLT, MASTER BRAKE CYLINDER	27028	2
29	9050207	Møtrik M8	NUT M8	10079	2
30	9034420	Bolt	BOLT M6X12	10140	4
31	N.A		CLAMP2	27118	1

Fig. 21.1 Brake caliber, FR (For Europe)

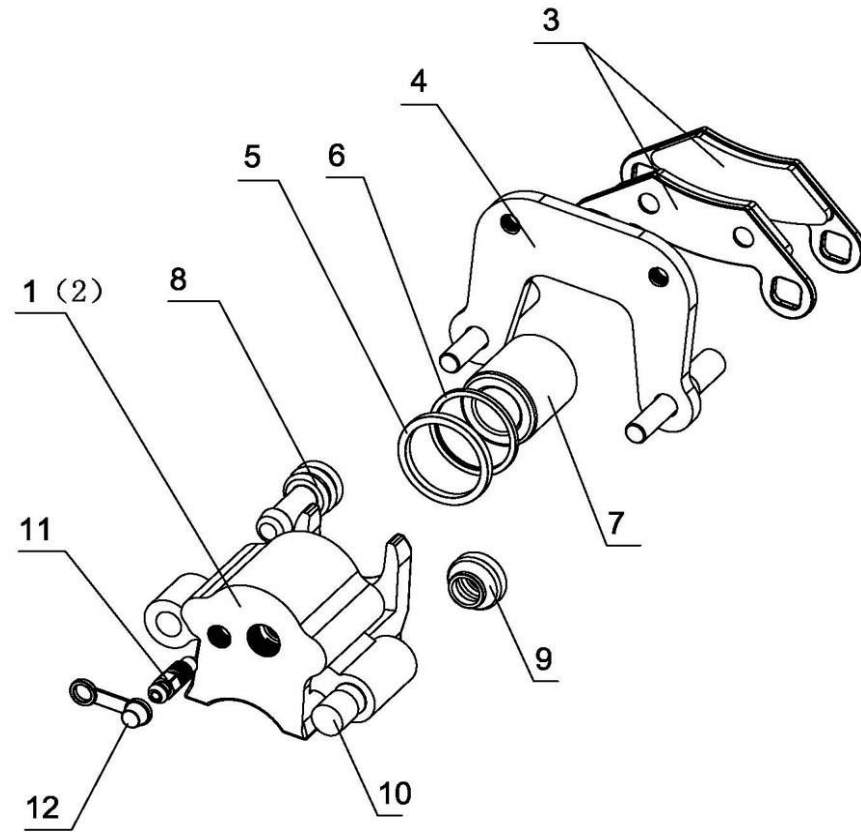


Fig. 21.1	PL. Nr	Varenavn	Art name	Oe-ref.nr	Antal/pcs
1	9034354	Caliberhus venstre	CALIPER SHELL , L	26830	1
2	9034358	Caliberhus højre	CALIPER SHELL , R	26859	1
3	9034368	Bremseklods sæt bagerst	INSIDE/OUTSIDE PAD, FR	26864	2
4	9034360	Caliber beslag	BRACKET	26824	1
5	9034361	Støvtætning	DUSTPROOF COVER 1	26832	1
6	9034362	Tætning f caliber stempel	CALIPER SEAL	26833	1
7	9034363	Stempel	PISTON	26834	1
8	9034364	Glider	GUIDE SHIFT	26835	1
9	9034365	Tætning f glider	DUSTPROOF COVER	26836	1
10				26837	1
11	9034356	Udlufteskrue	BLOWHOLE	26838	1
12	9034357	Lukkeprop f udlufteskrue	DUSTPROOF COVER 2	26839	1

Fig. 21.2 Brake caliber, RR (For Europe)

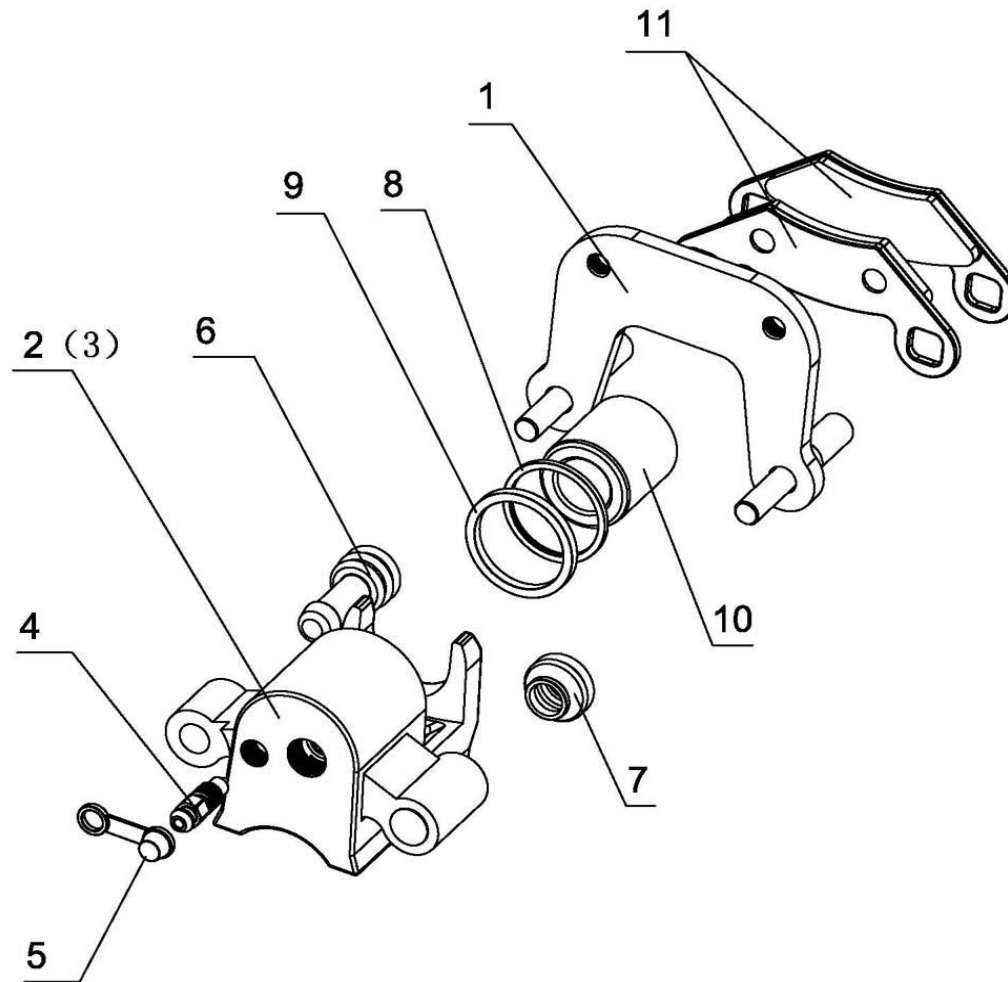


Fig. 21.2	PL. Nr	Varenavn	Art name	Oe-ref.nr	Antal/pcs
1	9034366	Caliberbeslag	BRACKET	27003	1
2	9034369	Caliberhus venstre	CALIPER SHELL , L	26865	1
3	9034370	Caliberhus højre	CALIPER SHELL , R	26828	2
4	9034356	Udlufteskruer	BLOWHOLE	26838	1
5	9034372	Lukkeprop f udlufteskruer	DUSTPROOF COVER 2	26839	1
6	9034373	Glider	GUIDE SHIFT	26866	1
7	9034734	Tætning f glider	DUSTPROOF COVER	26867	1
8	9034375	Tætning f caliberstempel	SEAL	26868	1
9	9034376	Støvtætning	DUSTPROOF COVER 1	27029	1
10	9034367	Stempel	PISTON	27030	1
11	9034368	Bremseklods sæt bagerst	INSIDE/OUTSIDE PAD, FR	26864	1

Fig. 21.3 Master brake cylinder (For Europe)

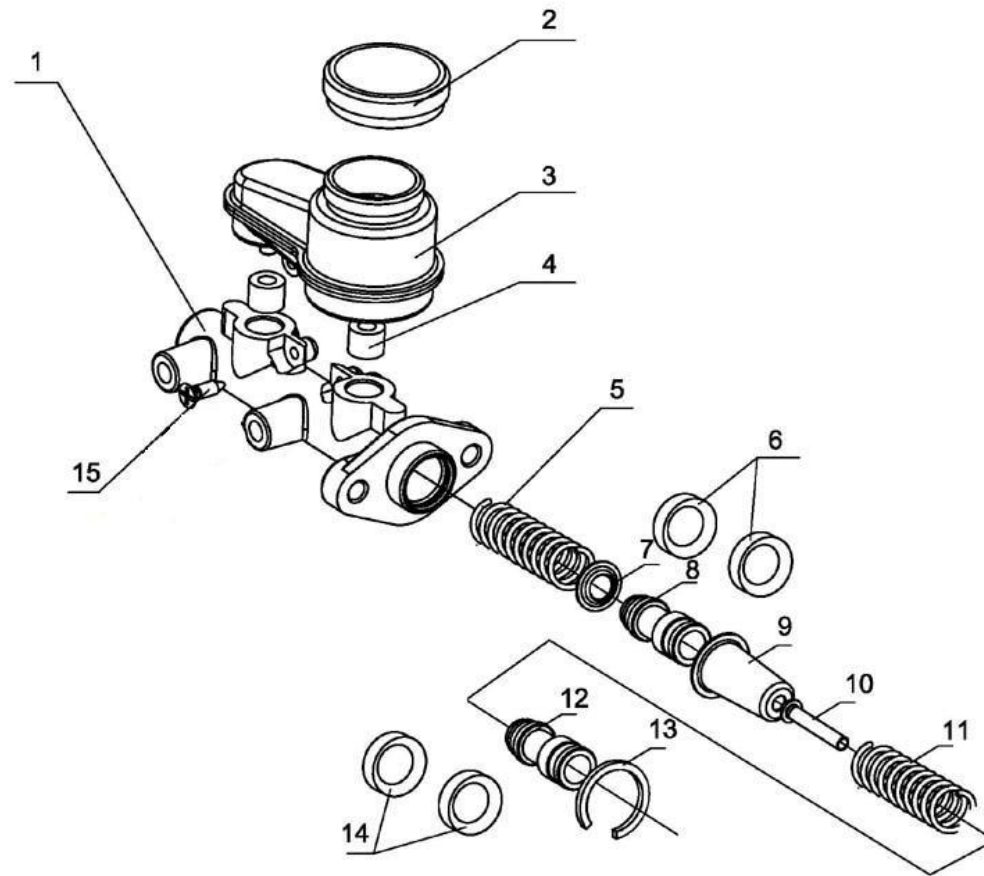


Fig. 21.3	PL. Nr	Varenavn	Art name	Oe-ref.nr	Antal/pcs
1	9034377	Hovedcylinder hus	CALIPER SHELL	26842	1
2	9034384	låg f bremsevæskebeholder	CAP	26849	1
3	9034385	Bremsevæske beholder	RESERVOIR	26850	1
4	9034386	Tætning f beholder	SEAL	26851	2
5	9034387	Fjeder f hovedcylinder	SPRING	26852	1
6	9034388	Stempel manchete	RUBBER RING 1	26853	3
7	9034389	Støttering	RING 1	26854	1
8	9034390	Stempel	RING 2	26855	1
9	9034391	Fjederstyr/holder	SPRING HOLDER	26856	1
10	9034378	Bolt	BOLT	26843	1
11	9034379	Fjeder f hovedcylinder	SPRING	26844	1
12	9034380	Stempel	PISTON	26845	1
13	9034381	Låseclips	CLIP	26846	1
14	9034382	Stempelmanchete	RUBBER RING 2	26847	1
15	9034383	Bolt	BOLT	26848	1

Fig. 22 Auxiliary brake

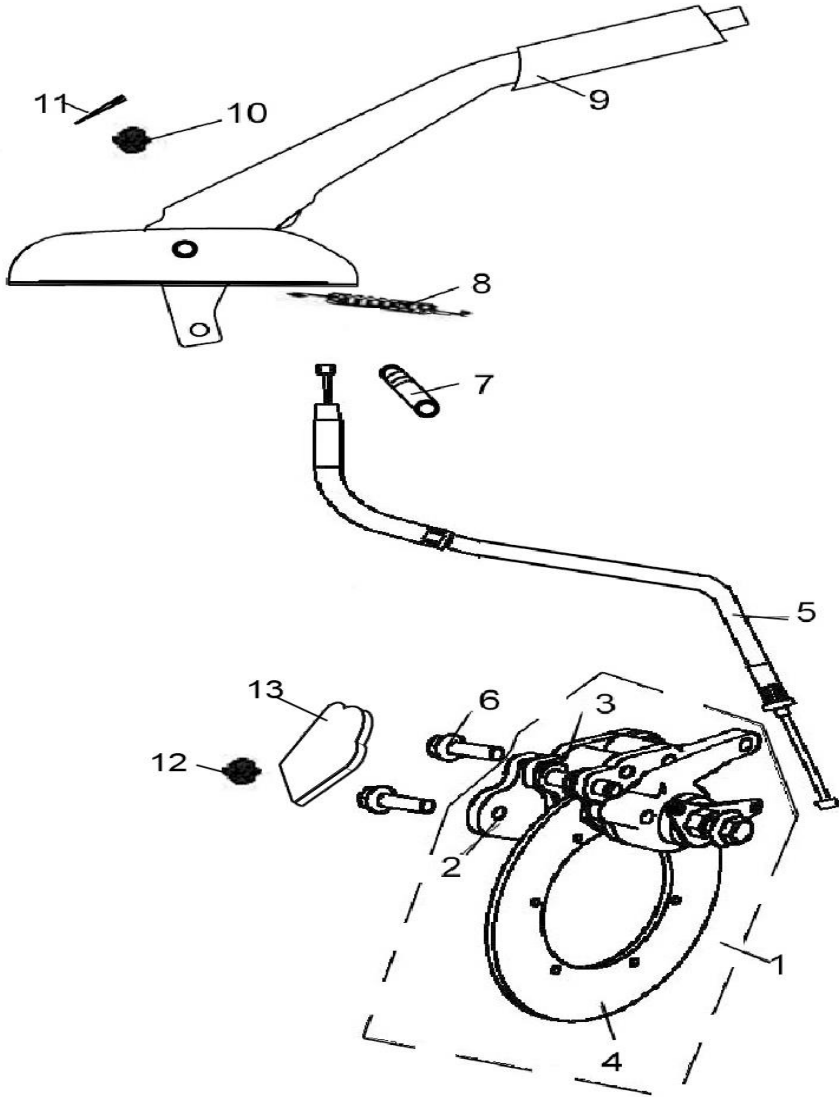


Fig. 22	PL. Nr	Varenavn	Art name	Oe-ref.nr	Antal/pcs
1	9034461	Bremsecaliber komplet håndbremse	BRAKE CALIPER ASSY	26872	1
2	9034467	Bremsecaliber løs t/håndbermse	BRAKE CALIPER (SEE THE DETAIL ON P33)	26873	1
3	9030753	Bremseklodser sæt	BRAKE PAD	26291	2
4	N.A		DISC RAKE	27120	1
5	N.A		BRAKE CABLE	27119	1
6	9050233	Bolt M8x40	BOLT M8X40	10218	2
7	9034478	Nagle	AXLE	26884	1
8	9034480	Trækfjeder t/håndbremse	SPRING	26885	1
9	9034482	Håndbremse håndtag	HAND LEVER PARKING BRAKE ASSY	26883	1
10	9050207	Møtrik M8	NUT M8	10079	1
11	9037420	Hårnåle split	PIN	10094	1
12	9034464		BOLT, DISC BRAKR	26886	5
13	N.A		TRANSITION BOARD	27121	1

Fig. 22.1 Brake caliper

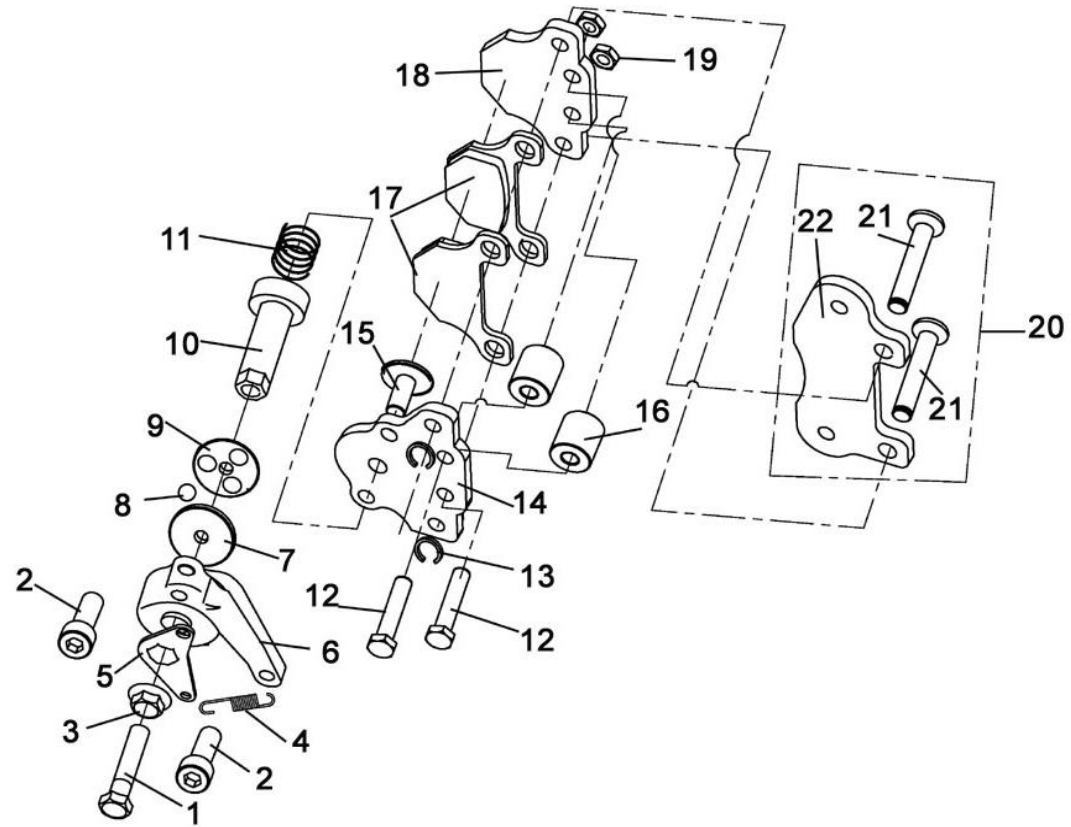


Fig. 22.1	PL. Nr	Varenavn	Art name	Oe-ref.nr	Antal/pcs
1	9034436	Bolt	BOLT	26293	1
2	9034447	Bolt M8x25	BOLT M8X25	10276	2
3	9034451	Møtrik	NUT	10080	1
4	9034457	Fjeder for håndbremse	SPRING	26297	1
5	9034453	Arm	ROCKER	26877	1
6	9034454	Bremsecaliber hus	BRAKE CALIPER SHELL	26878	1
7	9034455	Trykskive for håndbremse stempel	UP RING	26296	1
8	9034529	Kugle for lås	BALL	10203	3
9	N.A		DOWN RING	27193	1
10	9034437	Kugleholder	MIDDLE STAFF	26295	1
11	9034438	Fjeder	SPRING	26298	1
12	9050233	Bolt M8X40	BOLT M8X40	26271	2
13	9034440	Clips/låsering	CLIP	27032	2
14	9034441	Beslag	UP BRACKET	26294	1
15	9034442	Glider	STAFF	26879	1
16	9034443	Afstandsøsning	COLLAR	26880	2
17	9030753	Bremseklods sæt	BRAKE PAD	26291	2
18	N.A		BRACKET	27194	1
19	9034446	Møtrik	NUT	26238	2
20	9034448	Glidebeslag	GUIDE STAFF ASSY	26874	1
21	9034449	Glider	GUIDE STAFF	26875	2
22	9034450	Beslag for glider	ORIENTATION BRACKET	26876	1

Fig. 23 Front gear box (For 4WD)

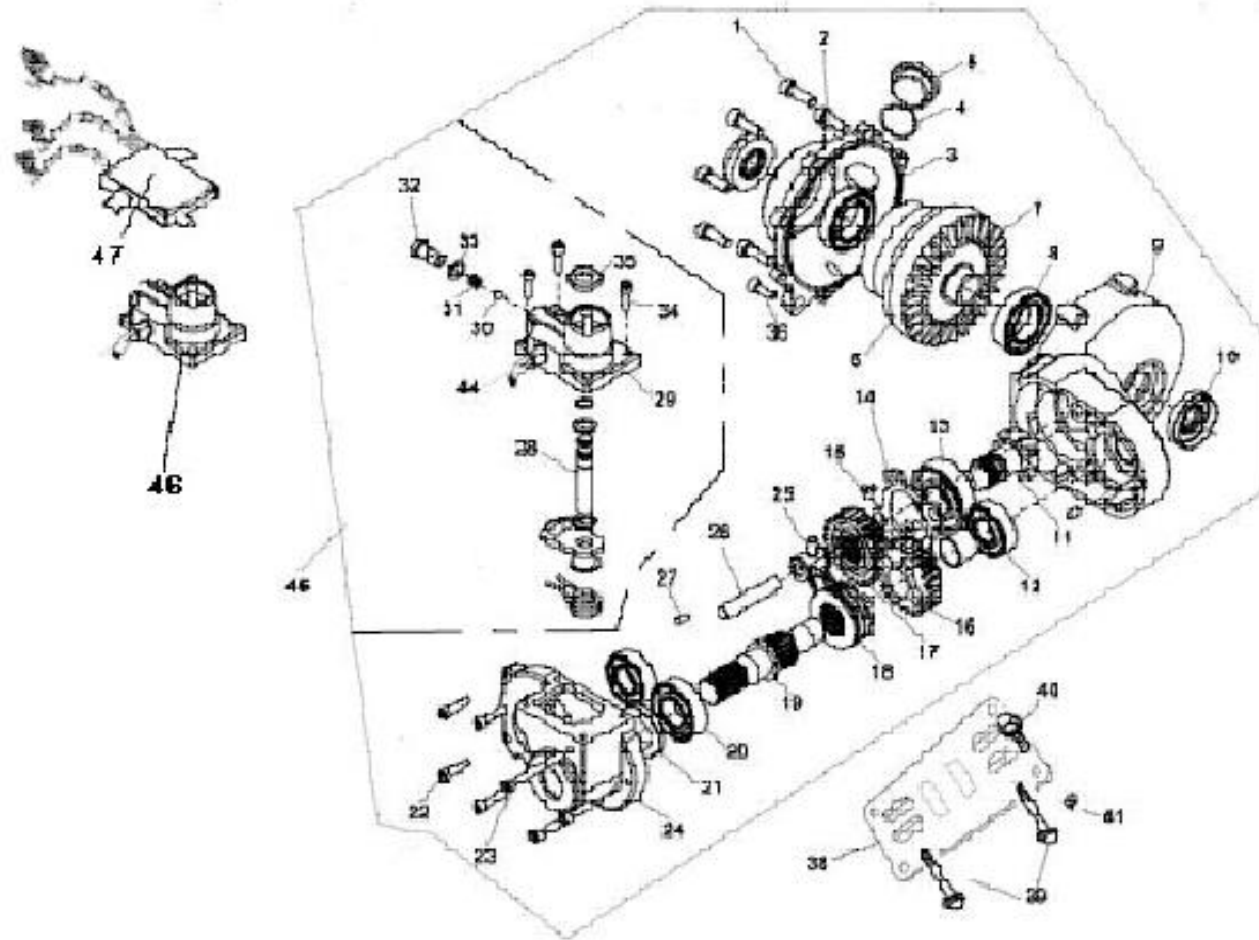


Fig. 23	PL. Nr	Varenavn	Art name	Oe-ref.nr	Antal/pcs
1	9033887	Bolt M8X25	BOLT M8X25	10059	7
2	N.A		VENT FITTING	24302	1
3	N.A		LEFT COVER	24303	1
4	9029773	O-ring 18X2,65	O-RING 18X2.65	10122	1
5	9034543	Påfyldningsprop	DIFF FILLERPLUG	24305	1
6	9034545	Diffrentiale	FOC BODY	24306	1
7	9034547	Kronhjul	BEVEL CROWNWHEEL	24307	1
8	9038553	Leje	BEAR 6006	10202	2
9	9034551	Diffrentiale hus	DIFFCASE RHS	24309	1
10	9030087	Pakdåse	SEAL SDD722X48X11	24310	2
11	9034506	Spidshjuls aksel	CONICAL WITH HELICAL GEARING	24311	1
12	9038575	Leje 6204	BEAR 6204	10062	2
13	9033983	Leje 6305ST	BEAR 6305ST	10074	1
14	9034509	Lejeholder	CASEBEAR RETAINER	24314	1
15	9034510	Skrue	SCREW M6X12	10287	4
16	9034511	Tandhjul	DIFF GEAR	24316	1
17	9034512	Tandhjul	DIFF GEAR DRIVEN	24317	1
18	9034513	Skiftemuffe/dog ring	SPLINED DOG	24318	1
19	9034514	Indgangsaksel	DIFF INPUTSHAFT A	24319	1
20	9038576	Leje 6205	BEAR 6205	10267	1
21	9030088	Pakdåse	SEAL TC25X47X7	24321	1
22	9050222	Bolt M6X30	BOLE M6X30	10182	6
23	9050226	Bolt M6X70	BOLE M6X70	10160	1
24	9034521	Bagdæksel	REAR COVER	24324	1
25	9034522	Skiftegaffel	DIFF SELECTOR FORK	24325	1
26	9034523	Aksel f/skiftegaffel	SELECTOR RAIL	24326	1
27	9034524	Tap	PIN	24327	1
28	9034524	Skifteaksel	SELECTOR SHAFT	24328	1
29	9034526	Dæksel f/skifteraksel	SELECTOR COVER	24429	1
30	9034529	Kugle f/gearlås	STEEL BALL 8	10203	1
31	9034530	Fjeder	SPRING	24431	1
32	9034531	Kugleføring	INDENT BALL INSERT	24433	1
33	9034532	Skive	WASHER	24432	1
34	9034190	Bolt M6X16	BOLT M6X16	10183	4
35	9030089	Pakdåse	SEAL TC12X28X7	24435	1
36	9034535	Bolt	BOLT M8X16	10168	1
38	N.A		FRONT GEAR-BOX BACKSTOP	24438	1
39	N.A		BOLT M10X1.25X43	10208	2
40	N.A		BOLT M10X1.25X20	10163	4
41	9033940	Møtrik	NUT M10	10209	6

44	N.A		4WD AND 2WD SWITCH	24444	1
45	9029590	Forreste gearkasse incl diff	FRONT GEAR-BOX	24445	1
46	9029999	Skiftermotor elektrisk	2WD/4WD SHIFT MOTOR(USED WITH 2WD / 4WD SWITCHPN20109b)	24446	1
	9030696	Skifterelæ	2WD/4WD SHIFT ELECTRONIC CONTROLER(USED WITH 2WD / 4WD SWITCH) (SPEED PROTECT) "	24447A	1

Fig. 23.1 Foc body (For 4WD)

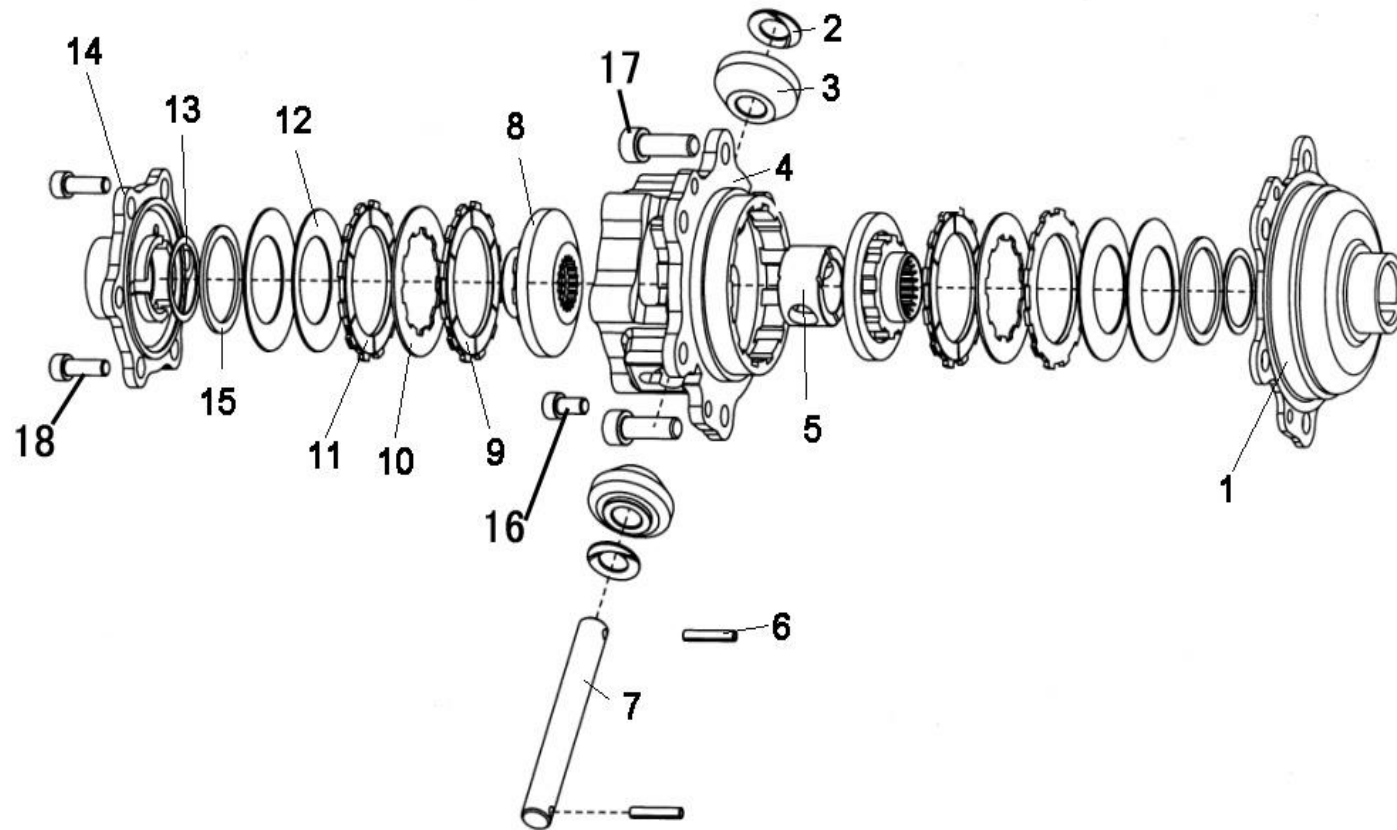


Fig. 23.1	PL. Nr	Varenavn	Art name	Oe-ref.nr	Antal/pcs
1	9029591	Diffrentialehus	LARGER COVER	24701	1
2	9029593	Skive	WASHER	24702	2
3	9029594	Planetgearhjul	PINION	24703	2
4	9034496	Diff hus	HOUSING	24704	1
5	9029595	Planet gear bøsning	CENTER SPACER	24705	1
6	9034498	Låsestifter	ROLL PIN	10003	2
7	9034499	Planet gearhjuls aksel	CENTER PIN	24707	2
8	9029596	Differerhjul/solhjul	BEVEL GEAR	24708	2
9	9029796	Koblingsplader yder dobbelt belagt	CLUTCH PLATE OUTER DOUBLE	24709	2
10	9029791	Koblingsplader inder	CLITCH PLATE INNER	24710	2
11	9029792	Koblingsplader yder enkelt belagt	CLUTCH PLATE OUTER SINGLE	24711	2
12	9029793	Fjederskive	DISHED SPRING	24712	4
13	9029794	Skive	WASHER	24713	2
14	9029592	Dæksel lille	SMALL COVER	24714	1
15	9029795	Fjederskål	SPING SEAT	24715	2
16	9034491	Skrue	SCREW M6X15	10083	2
17	9034492	Bolt	SCREW M8X16	10131	6
18	9034493	Bolt	BOLT M8X15	24718	6

Fig. 24 Rear view mirror assy

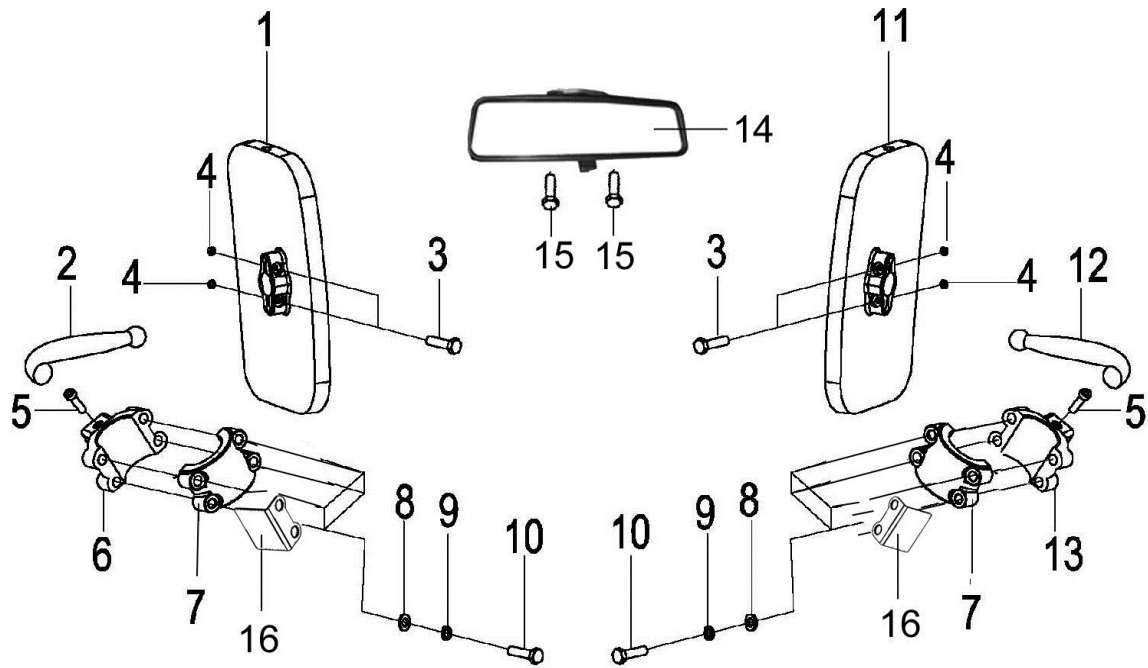


Fig. 24	PL. Nr	Varenavn	Art name	Oe-ref.nr	Antal/pcs
1	9034555	Sidespejl højre	REAR VIEW MIRROR,R	26887	1
2	9034564	Spejlarm højre	BALL JOINT,R	26891	1
3	9034566	Bolt	BOLT	26892	4
4	9034568	Møtrik	NUT	26893	4
5	9034570	Bolt	BOLT	26894	2
6	9034572	Spejlholder del højre	MIRROR HOLDER,R	26895	1
7	9034574	Spejlholder del	MIRROR HOLDER 2	26896	2
8	9050201	Planskive M6	WASHER 6	10006	8
9	N.A		WASHER SPRING 6	10308	8
10	9034556	Bolt	BOLT M6X25	26253	8
11	9034557	Sidespejl venstre	REAR VIEW MIRROR,L	26888	1
12	9034558	Spejlarm venstre	BALL JOINT,L	26897	1
13	9034559	Spejlholder del venstre	MIRROR HOLDER,L	26898	1
14	9034560	Bakspejl indvendig	INTERIOR MIRROR	26890	1
15	9034561	Bolt	BOLT	26262	2
16	9034562	Gummimellem læg	BUMPER	26889	2

Fig. 25 Safty belt

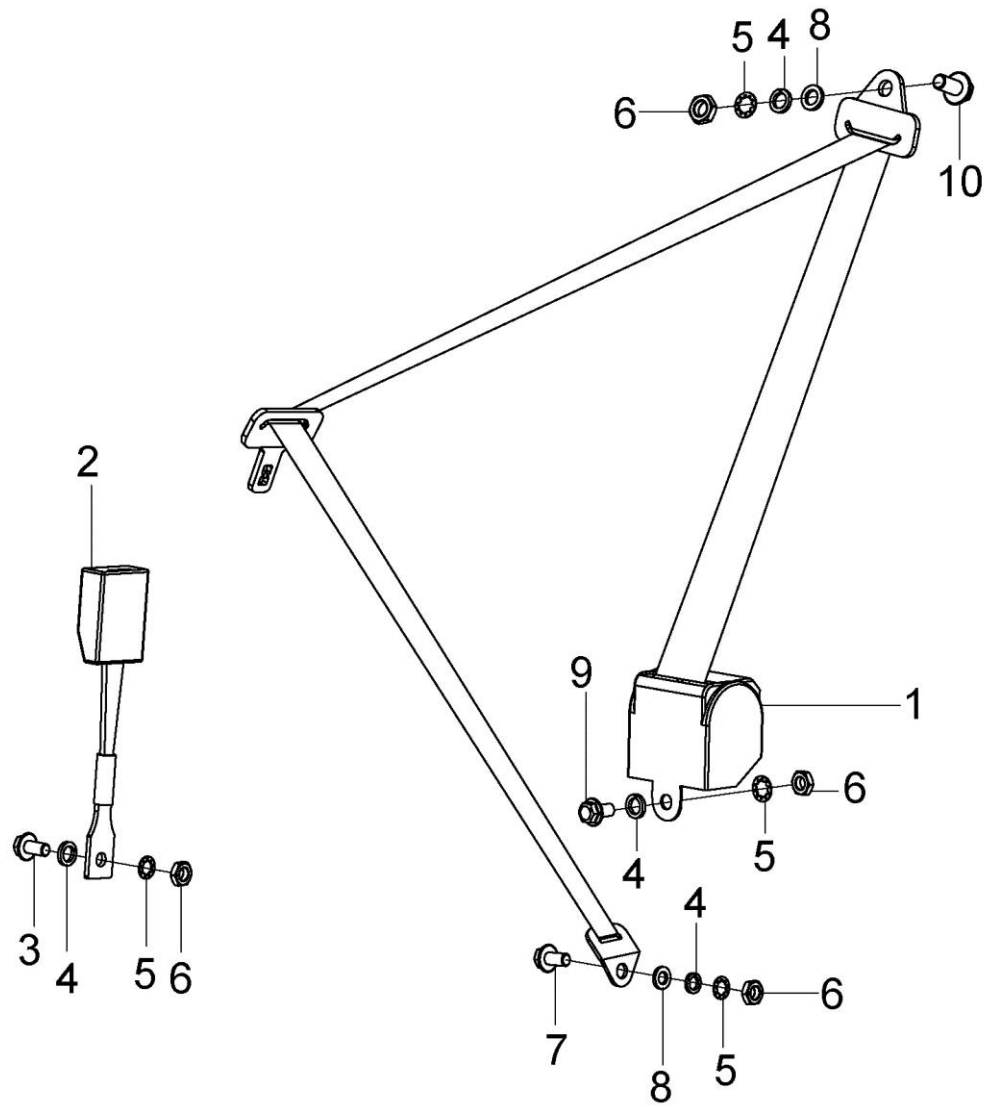


Fig. 25	PL. Nr	Varenavn	Art name	Oe-ref.nr	Antal/pcs
1	9034606	Sikkerhedssele	BELT	26914	2
2	9034608	Lukkebeslag	BELT 2	26915	2
3	9034609	Bolt	BOLT	26916	2
4	9034610	Fjederskive	SPRING WASHER	26917	8
5	9034611	Skive	WASHER	26918	8
6	9034612	Møtrik	NUT	26919	8
7	9034613	Bolt	BOLT A	26920	2
8	9034614	skive	WASHER	26921	4
9	9034615	Bolt	BOLT	26922	2
10	9034607	Bolt B	BOLT B	26923	2

Fig. 26 Door

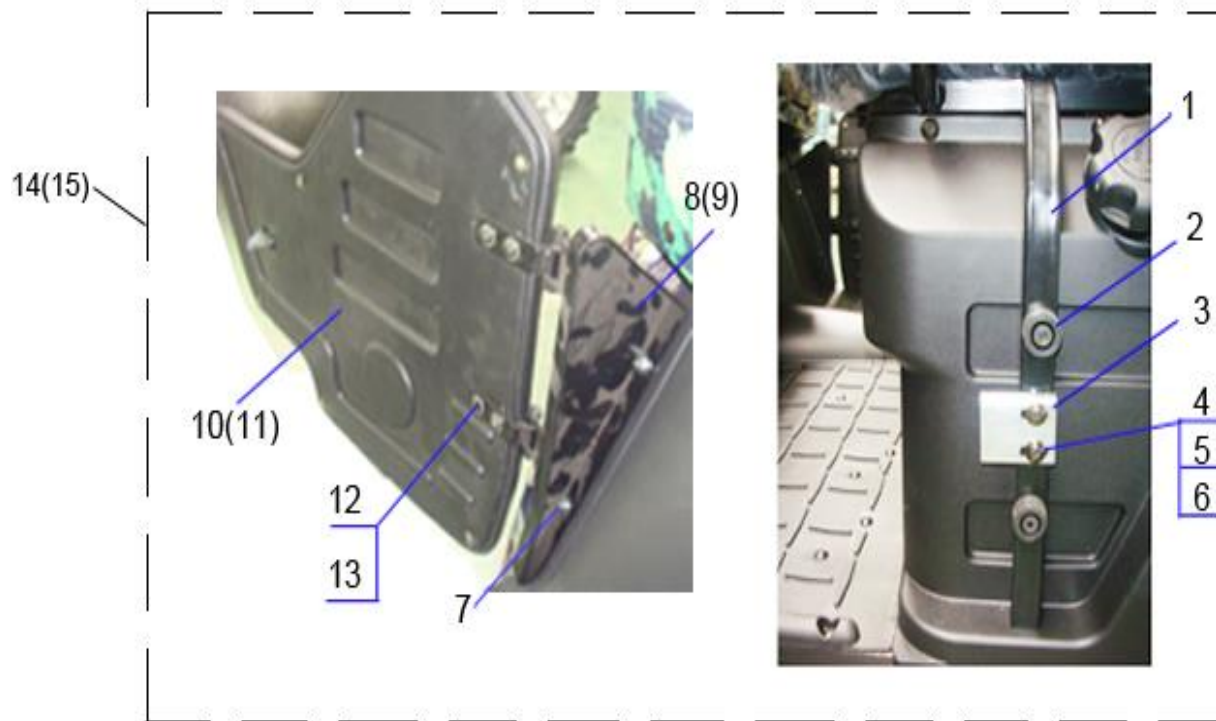


Fig. 26	PL. Nr	Varenavn	Art name	Oe-ref.nr	Antal/pcs
1	N.A		PIPE	27166	2
2	9030711	Gummi anslag	CUSHION	25042	2
3	N.A		BRACKET,LOCK	27167	1
4	9034190	Bolt	BOLT M6x16	10183	2
5	9050201	Planskive M6	WASHER 6	10006	2
6	N.A		WASHER SPRING 6	10308	2
7	N.A		BOLT M6x35	10186	2
8	N.A		BRACKET,DOOR,L	27168	1
9	N.A		BRACKET,DOOR,R	27169	1
10	N.A		DOOR,L	27170	1
11	N.A		DOOR,R	27171	1
12	9050231	Bolt M8X20	BOLT M8X20	10081	4
13	9050202	Planskive M8	WASHER 8	26009	4
14	N.A		LEFT DOOR ASSY	27172	1
15	N.A		RIGHT DOOR ASSY	27173	1

Fig. 27 Protector cover

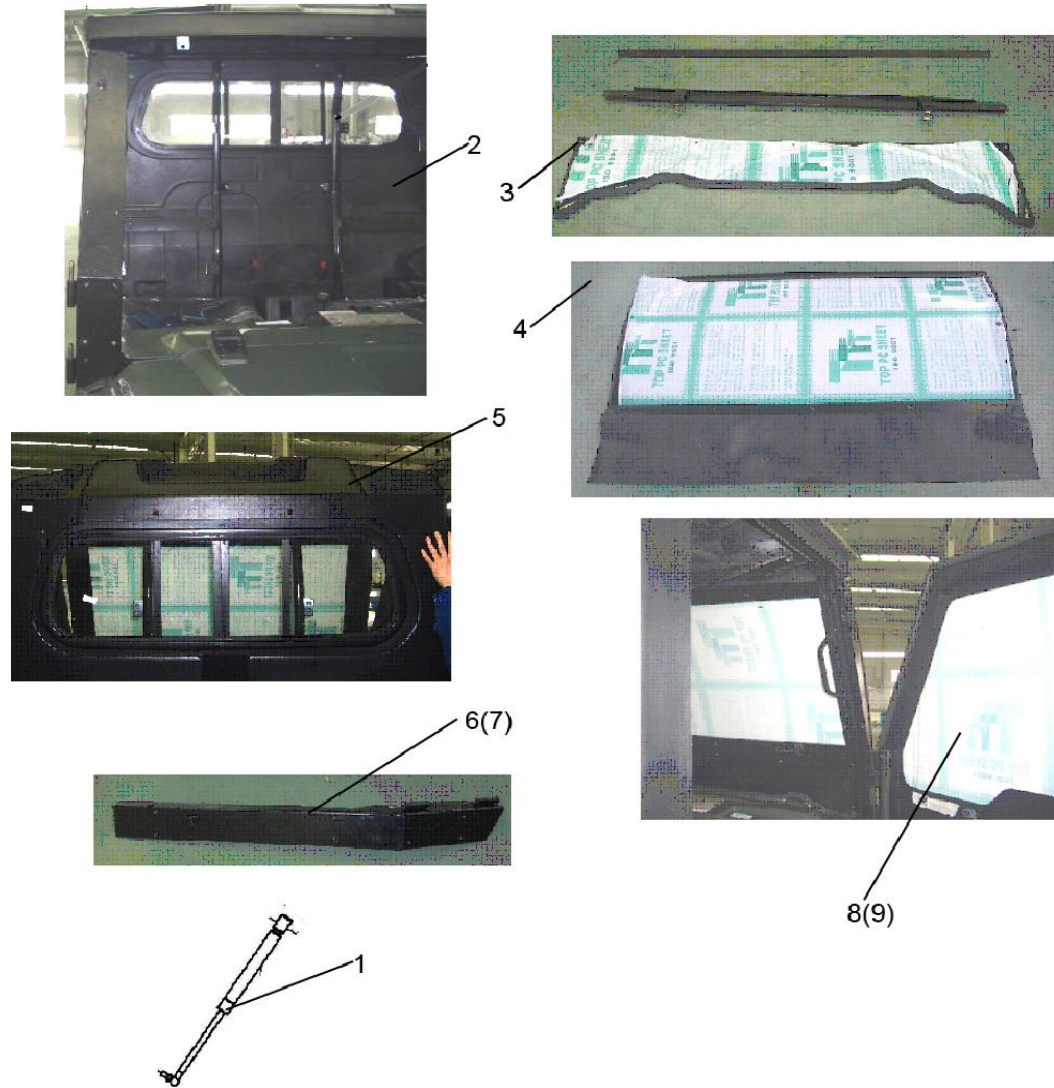


Fig. 27	PL. Nr	Varenavn	Art name	Oe-ref.nr	Antal/pcs
1	N.A		DAMPER	27184	2
2	N.A		REAR PROTECTOR COVER	27176	1
3	N.A		FRONT PROTECTOR COVER 1	27177	1
4	N.A		FRONT PROTECTOR COVER 2	27178	1
5	N.A		TOP COVER	27179	1
6	N.A		LEFT BRACKET	27180	1
7	N.A		RIGHT BRACKET	27181	1
8	N.A		LEFT DOOR	27182	1
9	N.A		RIGHT DOOR	27183	1

Fig. 28 Exhaust

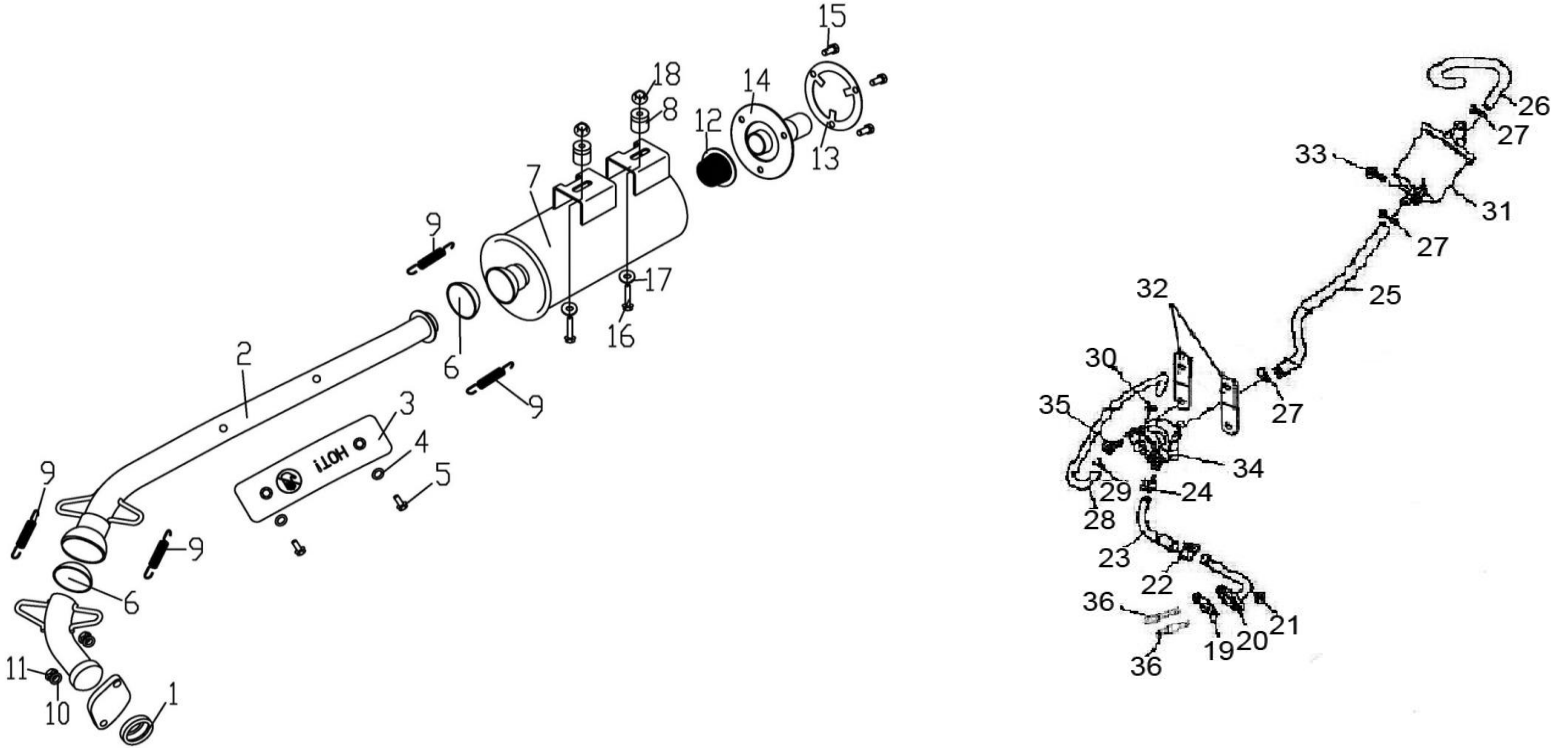


Fig. 28	PL. Nr	Varenavn	Art name	Oe-ref.nr	Antal/pcs
1	9029856	Udstødningspakning	EXHAUST PIPE GASKET	23403	1
2	9056905	Forrør udstødning	EXHAUST PIPE	27108	1
3	9034651	Beskytter	PROTECT,EXHAUST PIPE	27069	1
4	9050201	Planskive M6	WASHER 6	10308	5
5	9034420	Bolt	BOLT M6X12	10140	2
6	9030776	Pakning konisk udstødning	JOUNT	25222	2
7	9056906	Lyddæmper	MUFFLER	27107	1
8	9029907	Gummiophæng	MUFFLER SUPPORT	23415	2
9	9029909	Fjeder for udstødning	SPRING	23408	4
10	9050202	Planskive M8	WASHER 8	10106	2
11	9050207	Møtrik M8	NUT M8	10099	2
12	N.A		FIRE SATELLITE NETWORK	71089	1
13	N.A		STOPPER PLATE	71090	1
14			MUFFLER TAIL PIPE COMPONENTS		1
15	N.A		BOLT M6X16	10272	3
16	9034641	Bolt M10X62X1,25	BOLT FLANGE M10X1.25X62	10120	2
17	9050203	Planskive M10	WASHER PLATE 10	10117	4
18	9031005	Møtrik M10	NUT M10X1.25	10015	2
19	9029855	Pakning	WASHER	43510	1
20	9047440	Flange rør	HOSE	27155	1
21	9050206	Møtrik M6	NUT M6	10004	2
22	9057069	Spændebånd	CLIP 16	43513	1
23	9030046	Slange C	HOSE C	43512	1
24	9057069	Spændebånd	CLIP 13	22424	1
25	9030047	Slange B	HOSE B	43525	1
26	9029985	Slange A	HOSE A	43518	1
27	9057069	Spændebånd	HOSE CLAMP 16	43519	3
28	9030048	Slange	PIPE	43520	1
29	9057069	Spændebånd	CLIP 9	43521	1
30	9057069	Spændebånd	CLIP 7.6	43522	1
31	9029984	Filter	FILTER	43523	1
32	N.A		VALVE BRACKET	27075	2
33	9034420	Bolt	BOLT M6X12	10140	2
34	9029772	Ventil	VALVE	33230	1
35	9050221	Bolt M6X20	BOLT M6X20	10110	2
36	9034634	Bolt	BOLT	10263	2

Fig. 29 Air cleaner

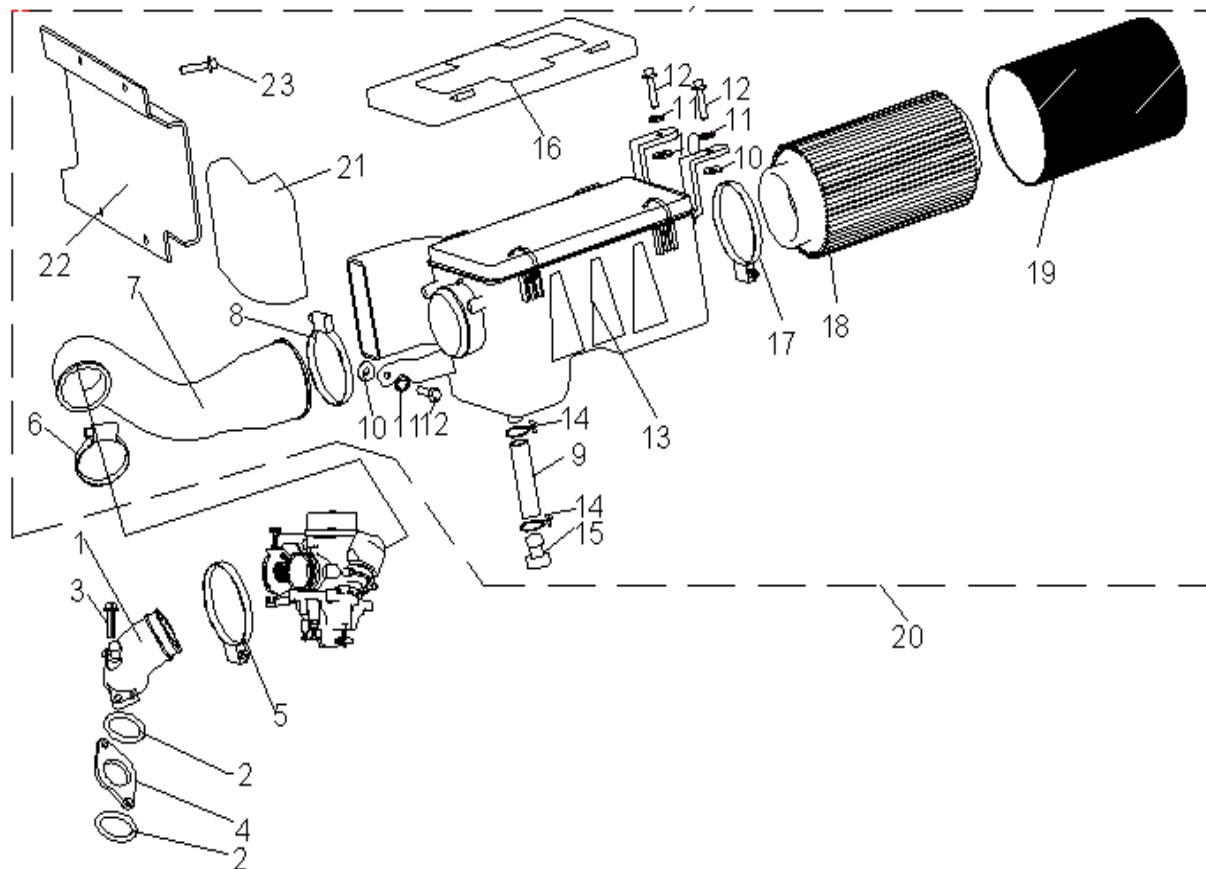


Fig. 29	PL. Nr	Varenavn	Art name	Oe-ref.nr	Antal/pcs
1	9050101	Indsugnings bøjning	CONNECTING BEND (FOR USA)	27164	1
2	9029848	O-ring 35X2	O-RING 35X2	23202	2
3	9040315	Bolt	SCOKET HEAD BOLT M6X25	10085	2
4	9029982	Mellemlæg	JOINT	23204	1
5	9034678	Spændebånd for manifold	HOSE CLAMP D	23205	1
6	9034679	Spændebånd for indsugnings slange	HOSE CLAMP C	26740	1
7	N.A		AIR CLEANER JOINT (FOR USA)	27399	1
8	9034681	Spændebånd B	HOSE CLAMP B	26739	1
9	9034682	Slange	HOSE	26744	1
10	9050201	Planskive M6	WASHER 6	10011	3
11	N.A		WASHER 6	10308	3
12	9050222	Bolt M6X30	BOLT M6X30	10182	3
13	9034665	Luftfilterhus	AIR CLEANER CASE1	26742	1
14	9034666	Spændebånd	CLIP	23214	2
15	9034667	Prop	PLUG	23216	1
16	9034668	Dæksel for luftfilter	COVER AIR CLEANER	26741	1
17	9034669	Spændebånd	HOSE CLAMP A	23209	1
18	9029847	Luftfilterelement	ELEMENT COMP AIR CLEANER	23212	1
19	9029905	Skum overtræk filter	FILTER COVER	23213	1
20	9034673	Luftfilter komplet m/hus	AIR CLEANER	26737	1
21	9034674	Forbindels tragt	JOINT HOSE	26746	1
22	9034675	Støvdæksel	DUSTPROOF COVER	26747	1

Fig. 30 Radiator

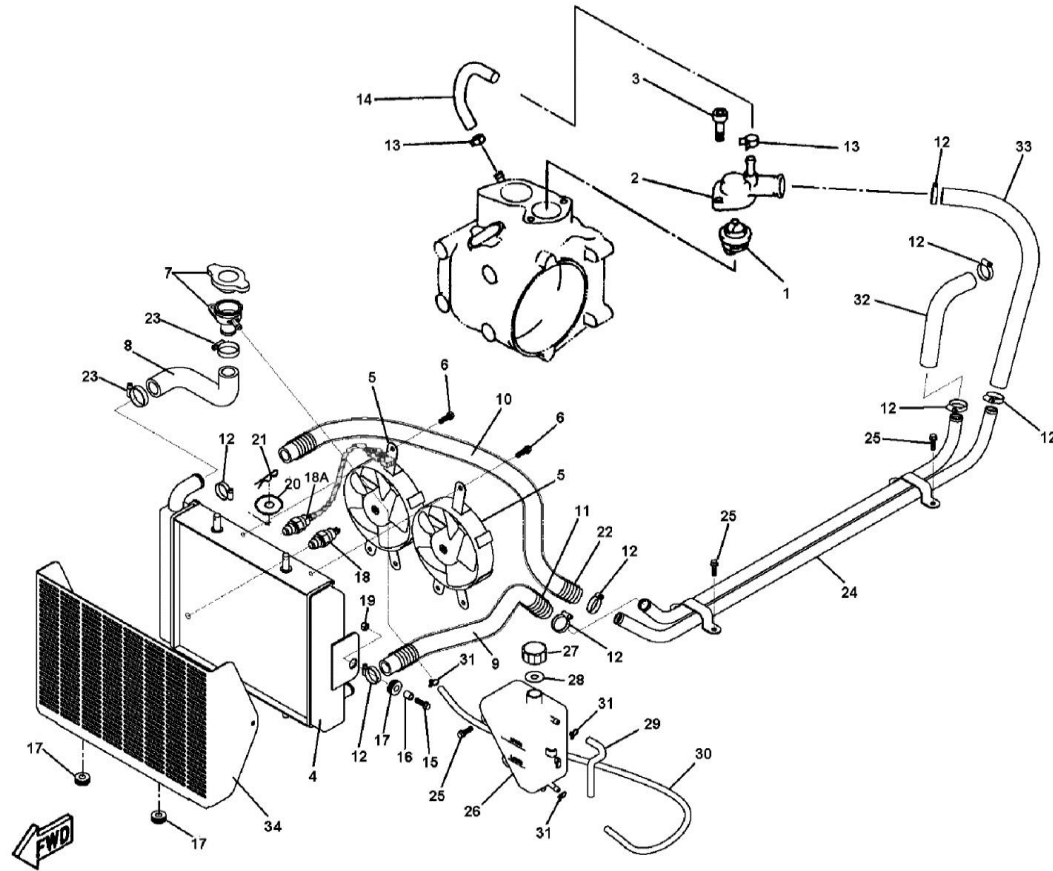


Fig. 30	PL. Nr	Varenavn	Art name	Oe-ref.nr	Antal/pcs
1	9030110	Termostat	THERMOSTAT	22901	1
2	9029978	Termostathus	THERMOSTAT COVER	22902	1
3	9040315	Bolt	SOCKET HEAD BOLT M6X25	10085	2
4	9029979	Køler "bred"	RADIATOR ASSY (THICKER)	26751	1
5	9029758	Blæser komplet	BLOWER ASSY	26235	2
5	N.A		BLOWER ASSY (USED FOR WP PLUG UNIT)	26235A	2
6	N.A		FLANGE BOLT M6X9	10087	6
7	9030044	Kølerdæksel	SAFETY VALVE	22907a	1
8	9029845	Kølerslange påfyldning	RADIATOR FILLER HOSE	22909t	1
9	N.A		RETURN HOSE	46032	1
10	N.A		FEED HOSE	46033	1
11	9029754	Beskyttels fjeder	SPRING CIMPRESSION	22912	1
12	9021801	Spændebånd	CLAMP 16/27	26299	8
13	9021813	Spændebånd	HOSE CLAMP2	22914	2
14	N.A		HOSE1	27154	1
15	9034625	Bolt M6X20	BOLT M6X20	10110	2
16	9029755	Gummiholder	RADIATOR SIDE SUPT GROMMET	22917	2
17	9034691	Bøsning	COLLAR	22918	2
18	9029756	Kontakt/føler for køleventilator	THERMOSTAT SWITCH ASSY	22919	1
18	9049423	Kontakt/føler for køleventilator vandtæt	THERMOSTAT SWITCH ASSY USED FOR WP)	22919A	1
19	9050206	Møtrik M6	NUT M6	10004	2
20	9050203	Planskive M6	WASHER PLATE 10	10019	2
21	9037420	Hårnålesplit	CLIP 2X20	10094	2
22	9029754	Beskyttels fjeder	COMPRESSION SPRING	22912A	2
23	9021802	Spændebånd	CLAMP 20/32	70344	2
24	N.A		BRACKET	46034	1
25	9050220	Bolt	BOLT M6X12	10140	2
26	9047193	Ekspansionsbeholder	TANK RECOVERY	70340	1
27	9047195	Dæksel til ekspansionsbeholder	COVER,TANK RECOVERY	70338	1
28	N.A		WASHER,TANK RECOVERY	70339	1
29	9030768	Slange	PIPE,TANK RECOVERY	70342	1
30	N.A		PIPE	70341	1
31	9021812	Spændebånd	CLAMP	22924	1
32	9034709	Kølerslange vandpumpe	FEED HOSE, VALVE	26755	1
33	9034710	Kølerslange termostat	RETURN HOSE, CYLINDER	26756	1
34	9034711	Kølergitter	FENDER	26757	1

Fig. 32 Chrankchaft

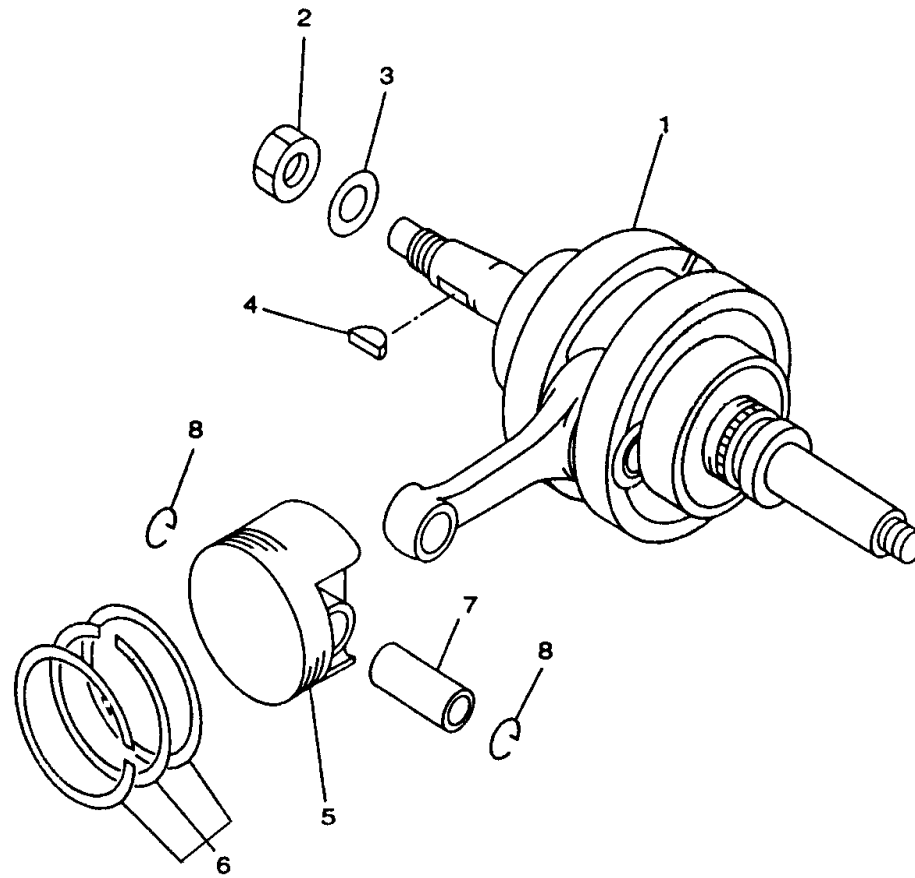


Fig. 32	PL. Nr	Varenavn	Art name	Oe-ref.nr	Antal/pcs
1	9042767	Krumtap	CRANKSHAFT ASSY	27238	1
2	9040275	Møtrik M16X1	NUT M16X1	22502	1
3	N.A		WASHER PLATE 16	22503	1
4	9029742	Kile halvmåne	KEY WOODRUFF	22504	1
5	9040278	Stempel	PISTON	27241	1
6	9040279	Stempel ringsæt	PISTON RING SET	27242	1
7	9040277	Krydspind	PISTON PIN	27240	1
8	9040276	Låsering f krydspind	CLIP	27239	2

Fig. 33 Valve

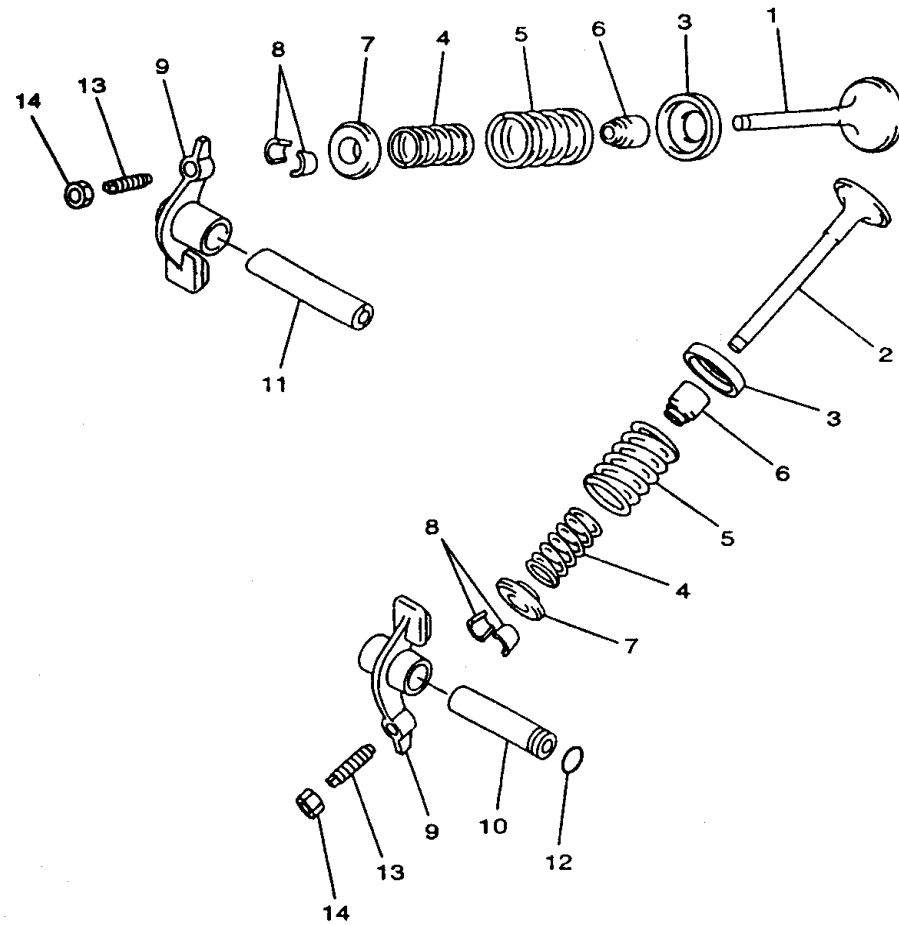


Fig. 33	PL. Nr	Varenavn	Art name	Oe-ref.nr	Antal/pcs
1	9040280	Indsugnings ventil	INTAKE VALVE	27222	1
2	9040281	Udstødnings ventil	EXHAUST VALVE	27223	1
3	9034774	Ventilsæde	SEAT SPRING VALVE	22603	2
4	9029709	Ventilfjeder indvendig	SPRING VALVE INNER	22604	2
5	9029710	Ventilfjeder udvendig	SPRING VALVE OUTER	22605	2
6	9029840	Ventilstyrs pakdåse	SEAL VALVE STEM	22606	2
7	9029711	Ventilskive	RETAINER SPRING VALVE	22607	2
8	9029841	Ventillås	COTTER VALVE	22608	4
9	9030041	Vippearm	ROCKER ARM VALVE	22609	2
10	9034766	Vippearms aksel udstødning	EXHAUST ROCKER SHAFT	22610	1
11	9034767	Vippearms aksel indsugning	INTAKE ROCKER SHAFT	22611	1
12	9029839	O-ring 9X2	O-RING 9X2	22612	1
13	9029743	Juster skrue	ADJUSTING SCREW VALVE	22613	2
14	9029744	Møtrik M6X0,75	NUT M6X0.75	22614	2

Fig. 34 Camshaft chain

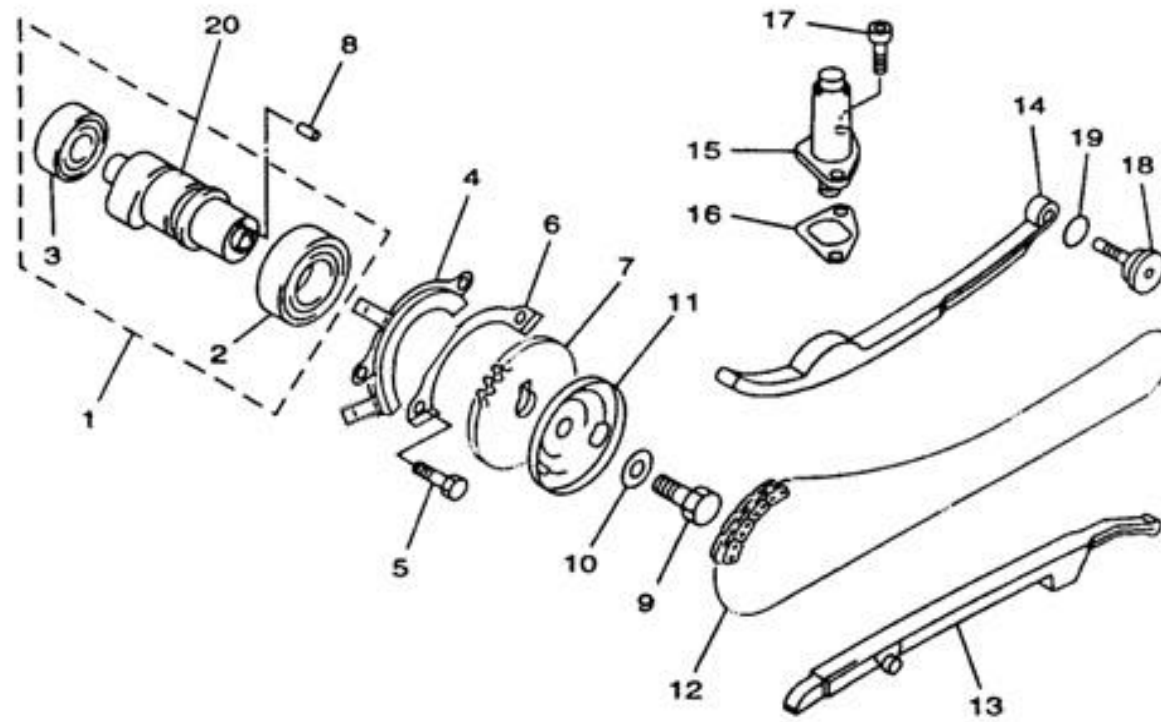


Fig. 34	PL. Nr	Varenavn	Art name	Oe-ref.nr	Antal/pcs
1	9040285	Knastaksel komplet	CAMSHAFT ASSY1	27234	1
2	9034796	Kugleleje	BEARING	10012	1
3	9038570	Leje	BEARING(B6202Z)	10013	1
4	9040287	Plade f/knast	PLATE	27237	1
5	9050220	Bolt	BOLT M6X12	10086	2
6	9040286	Låseplade f/knast	LOCK WASHER	27236	1
7	9029582	Knasthjul	CAM CHAIN SPROCKET	22707	1
8	9034803	Styretap	DOWEL PIN B4X10	10024	1
9	9034804	Bolt	BOLT M10X1.25X25	10025	1
10	9050203	Planskive	WASHER PLATE 10	22710	1
11	9034787	Plade	BREATHER PLATE2	22711	1
12	9040282	Knastkæde	CHAIN	27201	1
13	9040284	Kædestyr fast	GUIDE STOPPER1	27203	1
14	9040283	Kædestyr strammer	GUIDE STOPPER2	27202	1
15	9029973	Kædestrammer	CAM CHAIN TENSIONER ASSY	22715A	1
16	9029747	Pakning f/kædestrammer	GASKET TENSIONER CASE	22716	1
17	9034793	Bolt	SOCKET HEAD BOLT M6X14	10036	2
18	9029748	Akselbolt f/kædestyr	CHAIN TENSIONER PIVOT BOLT	22718	1
19	9029749	O-ring 14,5X1,8	O-RING 14.5X1.8	22719	1
20	N.A	Knastaksel	CAMSHAFT	27235	1

Fig 35 Water pump

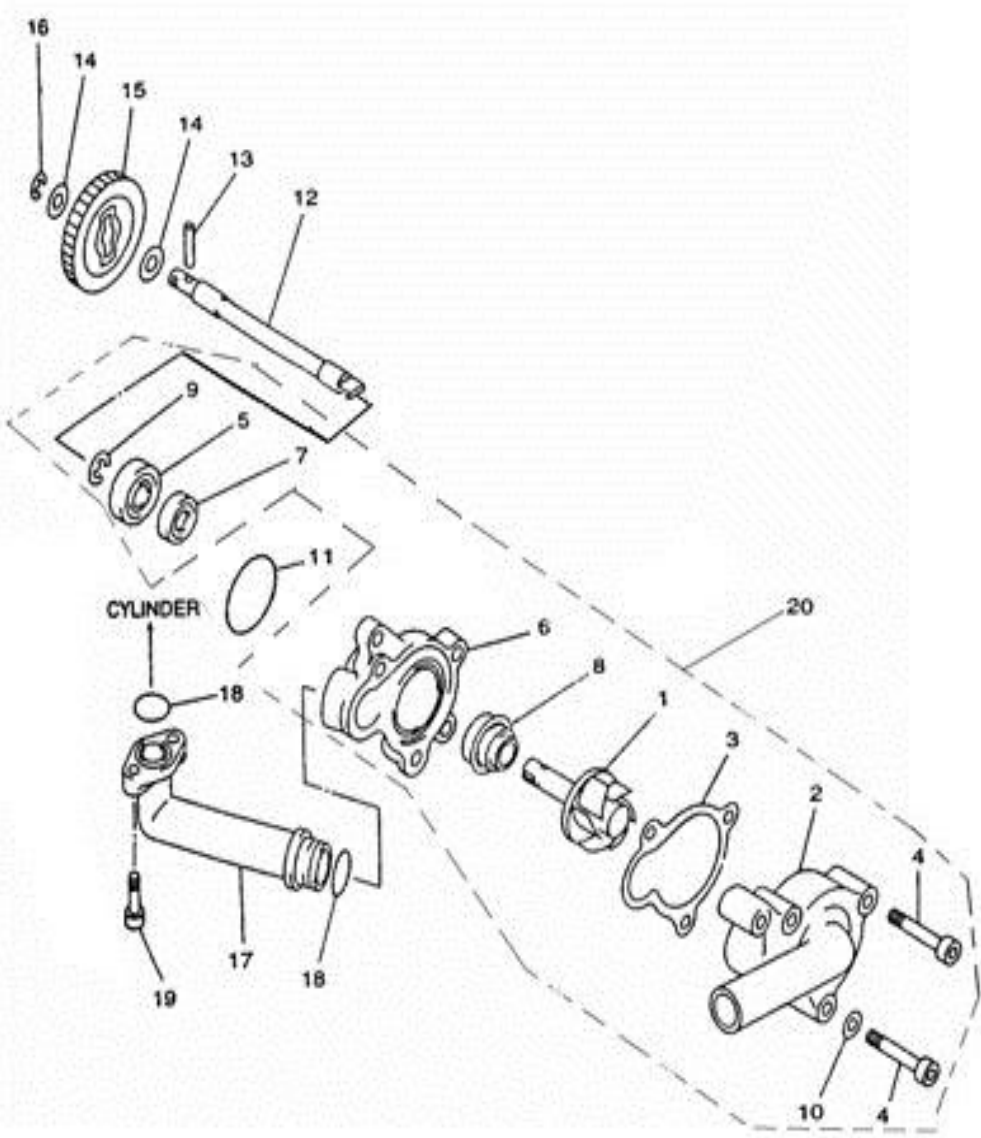


Fig. 35	PL. Nr	Varenavn	Art name	Oe-ref.nr	Antal/pcs
1	9034806	Rotor f/vandpumpe	IMPELLER SHAFT ASSY	22801	1
2	9034817	Vandpumpedæksel	HOUSING COVER	22802	1
3	9030688	Pakning	GASKET HOUSING COVER2	22803	1
4	9034820	Bolt	SOCKET HEAD BOLT M6X35	10041	3
5	9034821	Kugleleje	BEARING	10043	1
6	9034822	Vandpumpehus	WATER PUMP HOUSING	22806	1
7	9030689	Pakdåse 10X21X5	OIL SEAL 10X21X5	22807	1
8	9030690	Vandpumpe pakdåse	MECHANICAL SEAL	22808	1
9	9034825	Låsering	CIRCLIP 9	10044	1
10	9029736	Pakning M6	GASKET 6	22810	1
11	9034808	O-ring 33,5X2,65	O-RING 33.5X2.65	10049	1
12	N.A		SHAFT	27230	1
13	N.A		DOWEL PIN C3X22	10070	1
14	9034811	Skive	WASHER PLATE 8	22814	2
15	9029975	Tandhjul f/vandpumpe	IMPELLER SHAFT GEAR	22815	1
16	9034813	Låsering	CIRCLIP 8	10072	1
17	9042871	Vandrør	JOINT	27229	1
18	9029752	O-ring 15,5X2,5	O-RING 15.5X2.5	10082	2
19	9034491	Skrue	SOCKET HEAD BOLT M6X15	10083	2
20			WATER PUMP ASSY		1

Fig. 36 Oil pump

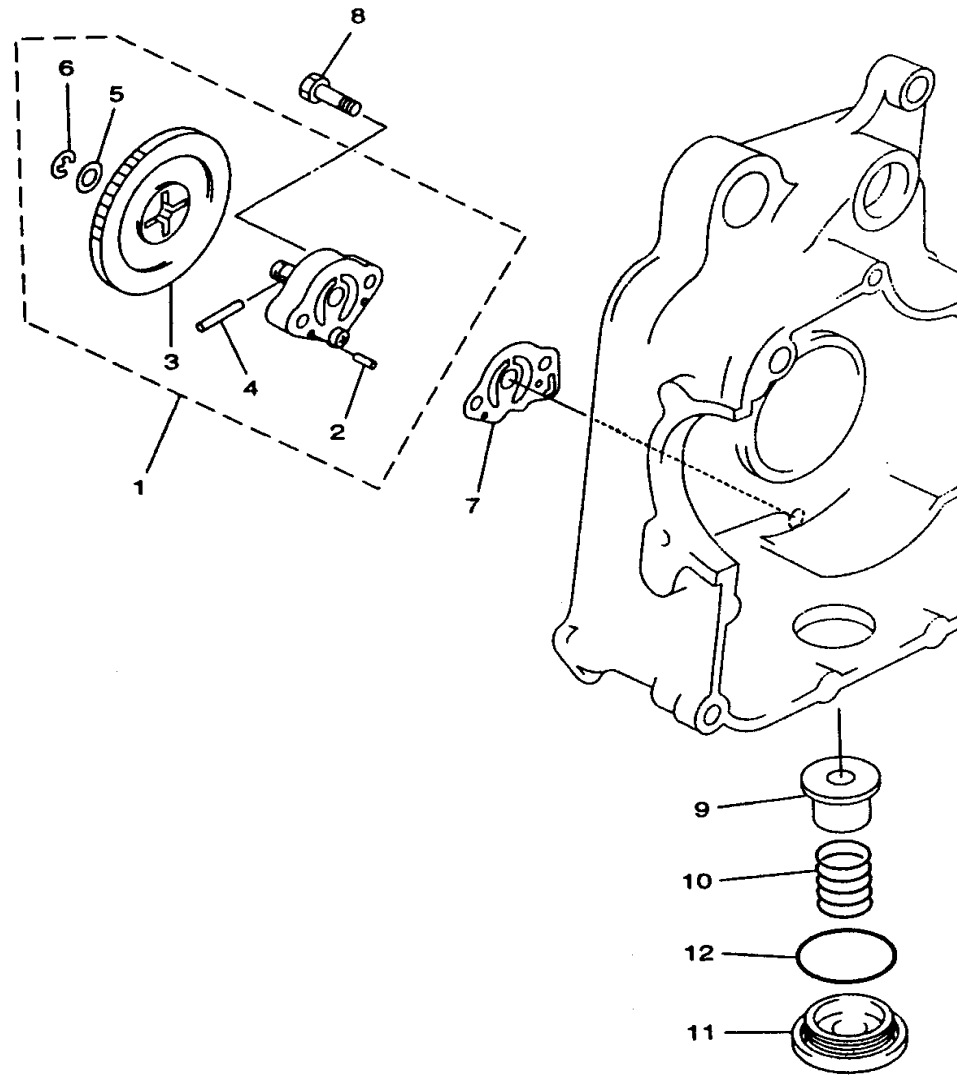


Fig. 36	PL. Nr	Varenavn	Art name	Oe-ref.nr	Antal/pcs
1	9040291	Oliepumpe komplet	OIL PUMP ASSY	27245	1
2	9034831	styretap	DOWEL PIN 3X12	10096	2
3	9034832	Tandhjul f/oliepumpe	GEAR PUMP DRIVEN	23103	1
4	9034833	Styretap	DOWEL PIN C3X22	10097	1
5	9034811	Skive	WASHER PLATE	22814	1
6	9034835	Låsering	CIRCLIP	10130	1
7	9030691	Pakning	GASKET	23107	1
8	9034837	Skrue	SCREW M6X25	10098	2
9	9029769	Oliesi	OIL STRAINER	23109	1
10	9029980	Trykfjeder	COMPRESSION SPRING	23110	1
11	9029981	Bundprop/olieprop	DRAIN PLUG	23111	1
12	9029760	O-ring 36X3,5	O-RING 36X3.5	23112	1

Fig. 37 Carburetor



Fig. 3	PL. Nr	Varenavn	Art name	Oe-ref.nr	Antal/pcs
1	9040297	Kaburrator	CARBURETOR ASSY	27224a	1
1-1	9051008	Kaburrator membran			1
2	9044885	Chokekabel	LINE ASSY	27134	1

Fig. 38 Crankcase

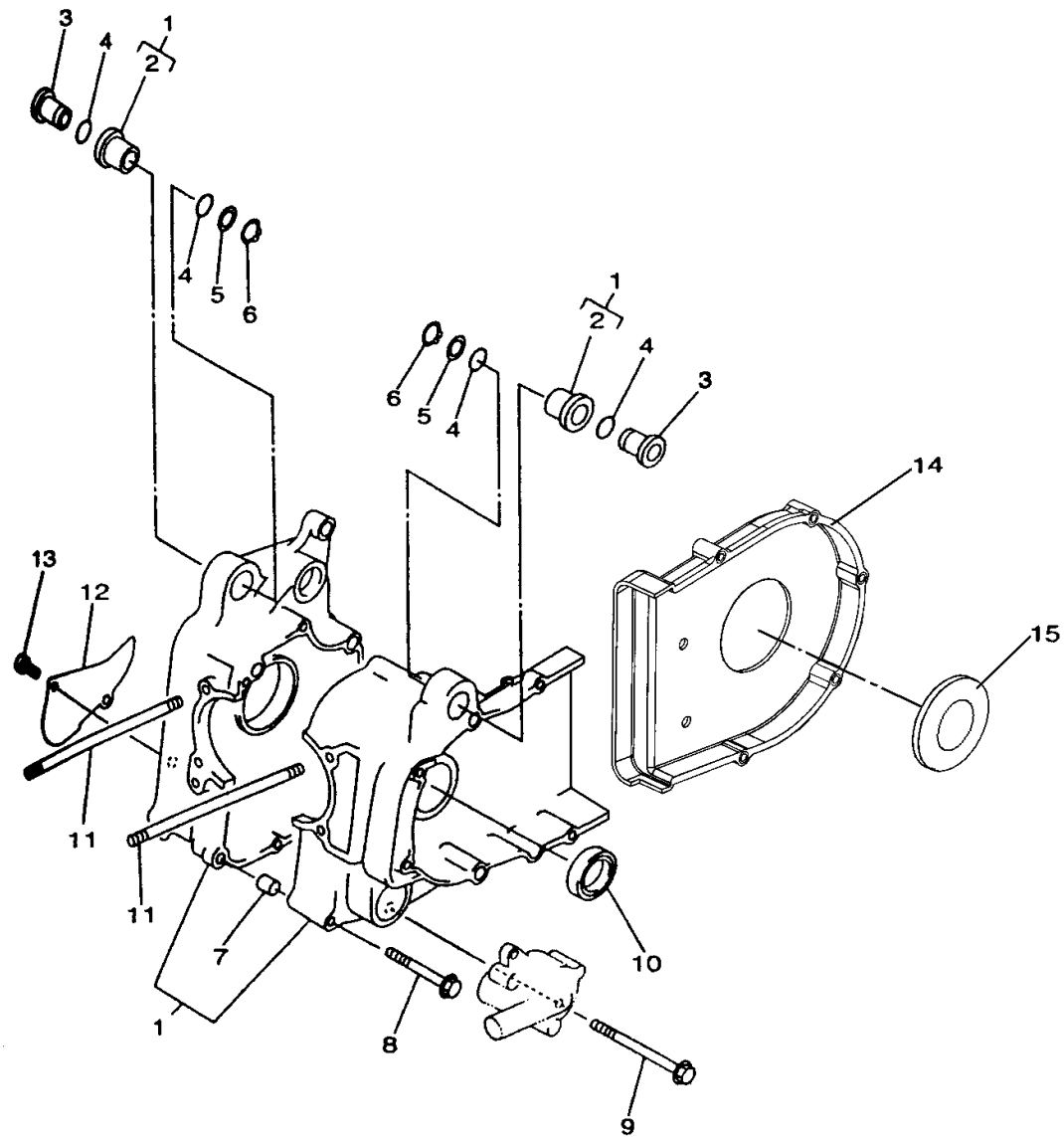


Fig. 38	PL. Nr	Varenavn	Art name	Oe-ref.nr	Antal/pcs
1	N.A		CRANKCASE ASSY	27204	1
2	9029857	Bøsning	HOLDER	23502	2
3	9029858	Bøsning	COLLAR	23503	2
4	9029859	O-Ring	O-RING16X2.5	23504	4
5	9034863	Skive	WASHER PLATE 16	23505	2
6	9034864	Låsering	CIRCLIP 16	10121	2
7	9034732	Styretap	DOWEL PIN 10X14	22422	2
8	9034866	Bolt M6X70	FLANGE BOLT M6X70	23508	4
9	9030873	Bolt M6X100	FLANGE BOLT M6X100	23509	5
10	9035871	Pakdåse 30X45X5	OIL SEAL 30X45X5	23510	1
11	9040304	Støttebolt M8X253,6	STUD BOLT M8X253.6	27205	4
12	9034856	Dæksel højre side	COVER CRANKCASE RIGHT	23512	1
13	9034793	Bolt M6X14	SOCKET HEAD BOLT M6X14	10036	2
14	N.A		REAR INSIDE COVER	27232	1
15	9034859	Tætningsprop	AIRPROOF COVER	23515	1

Fig. 39 Left & right cover

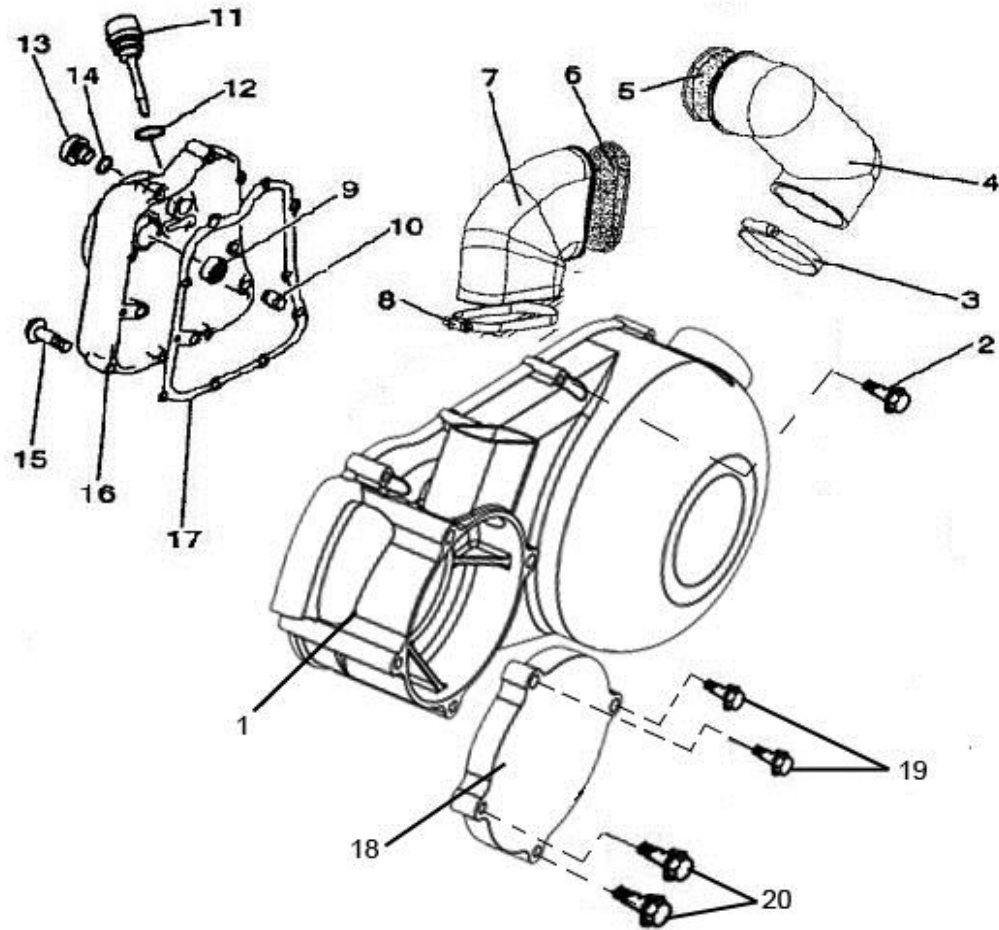


Fig. 39	PL. Nr	Varenavn	Art name	Oe-ref.nr	Antal/pcs
1	9040305	Sidedæksel venstre	COVER CRANKCASE LEFT	27231	1
2	N.A		FLANGE BOLT M6X40	10177	6
3	9034880	Spændebånd	HOSE CLAMP B	23603	1
4	9029860	Udluftnings slange A	JOINT A	23604	1
5	9029861	Støvfilter B	AIR STRAINER B	23605	1
6	9029862	Støvfilter A	AIR STRAINER A	23606	1
7	9029863	Udluftnings slange B	JOINT B	23607	1
8	9034885	Spændebånd A	HOSE CLAMP A	23608	1
9	9029775	Pakdåse	OIL SEAL	23609	1
10	9034732	Styretap 10X14	DOWEL PIN 10X14	22422	4
11	9030114	Olieprop/pind	OIL PLUG	23611	1
12	9029773	O-Ring 18X2,65	O-RING 18X2.65	10122	1
13	9034873	Olieprop	OIL PLUG	23613	1
14	9029714	O-Ring 14X2,65	O-RING 14X2.65	10123	1
15	9034875	Bolt M6X40	FLANGE BOLT M6X40	23615	15
16	9030693	Dæksel over generator "alm"	CAP COVER	23616	1
16.1	9029586	Dæksel over generator "stor"	CAP COVER (USE WITH HIGH-POWER GENERATOR)	23616A	1
17	9029774	Pakning	CRANKCASE COVER GASKET RIGHT	23617	1
18	N.A		FRONT COVER	27233	1
19	9034625	Bolt	BOLT M6X20	10110	2
	N.A		BOLT M6X110	27208	2

Fig. 40 Start drive

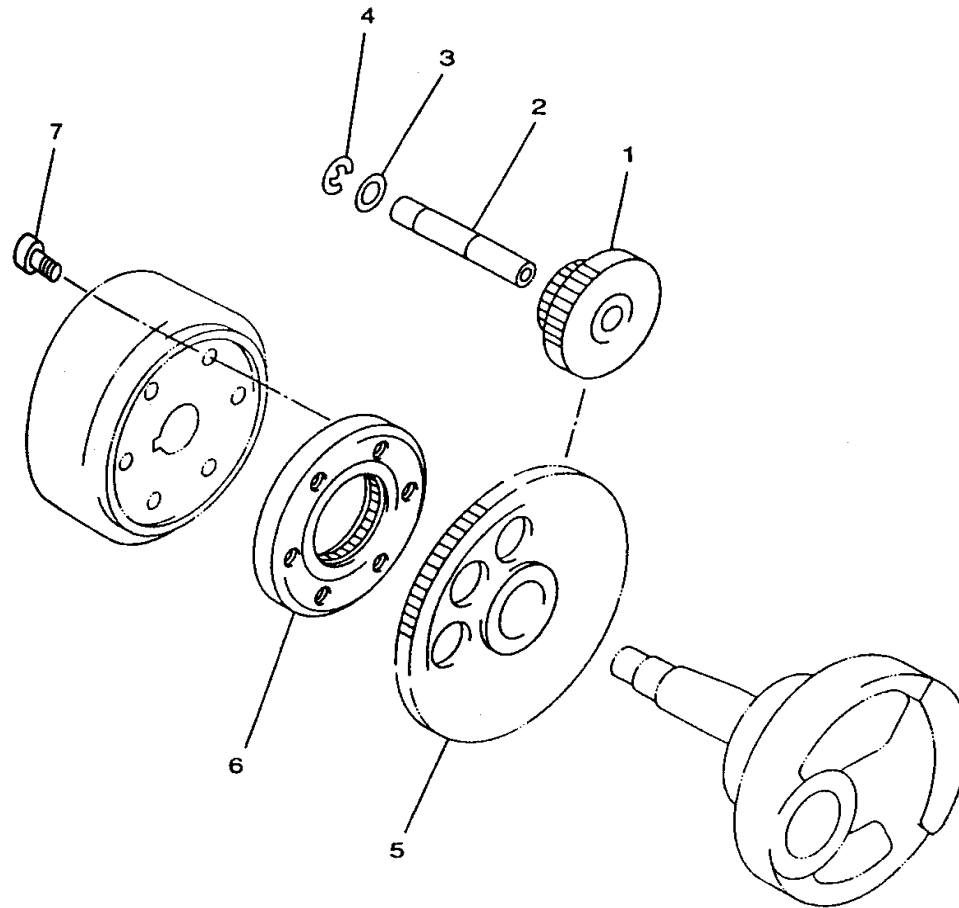


Fig. 40	PL. Nr	Varenavn	Art name	Oe-ref.nr	Antal/pcs
1	9029613	Starter tandhjul lille	GEAR IDLER	23701	1
2	9040306	Aksel for mellemhjul	SHAFT	23702	1
3	9034890	Skive	WASHER 12	23703	1
4	9034891	Låsering 12	CIRCLIP 12	10129	1
5	9029614	Starter tandhjul stort	GEAR REDUCTION	23705	1
6	9029615	Starter kobling	STARTER CLUTCH	23706	1
7	9034492	Bolt M8X16	SOCKET HEAD BOLT M8X16	10131	3

Fig. 41 Clutch

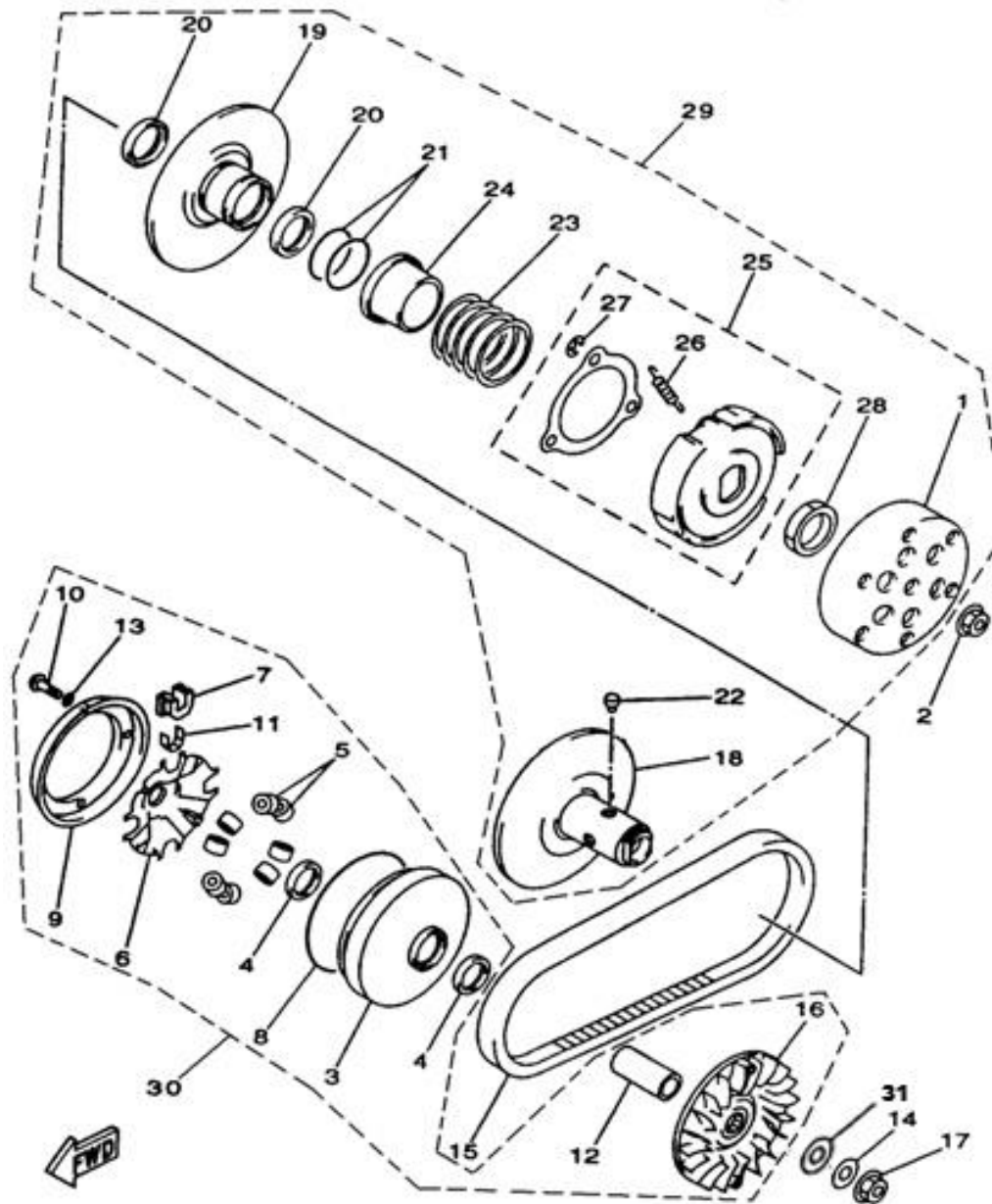


Fig. 41	PL. Nr	Varenavn	Art name	Oe-ref.nr	Antal/pcs
1	9040313	Koblings skål løs	CLUTCH HOUSING COMP.	27251	1
2	9029777	Møtrik M14X1	NUT M14X1	23802	1
3	9034925	Remskive del løs	PRIMARY SLIDING SHEAVE COMP	23803	1
4	9030052	Pakdåse	OIL SEAL	23804	2
5	9029910	Ruller Ø 20X12X14G	WEIGHT	23805	8
6	9040309	Rulleskål	CAM	27246	1
7	9029911	Rulleholder	SLIDER	23807	4
8	9029778	O-Ring 118X2,5	O-RING 118X2.5	23808	1
9	9030053	Yderring	STOPPER	23809	1
10	9034904	Skrue	PAN HEAD SCREW M4X12	10132	4
11	9029776	Afstands stykke	SPACER 1	23811	4
12	N.A		COLLAR	27252	1
13	9034904	Skive	WASHER PLATE 4	23813	4
14	9034908	Skive	WASHER PLATE 14	23814	1
15	9030051	Variator rem	V-BELT	23815	1
16	9040310	Remskive del løs	SHEAVE PRIMARY FIXED	27247	1
17	9029777	Møtrik M14X1	NUT M14X1	23802	1
18	9034912	Remskive del fast	SECONDARY FIXED SHEAVE COMP.INCLUDE TWO BEARINGS ONE OIL SEAL AND ONE CIRCLIP	23818	1
				25212	
				25213	
				25214	
				25215	
19	9034913	Remskive del B løs	SECONDARY SLIDING SHEAVE	23819	1
20	9030695	Pakdåse	OIL SEAL	23820	2
21	9034916	O-Ring	O-RING 45X1.8	23821	2
22	9034917	Styretap	PIN GUIDE	23822	4
23	9034918	Trykfjeder	COMPRESSION SPRING	23923A	1
24	9034919	Bøsning f/fjeder	SEAT SECONDARY SPRING	23924	1
25	9040312	Slyngkobling løs	CLUTCH CARRIER ASSY	27249	1
26	9030791	Fjeder f/slyngkobling	CLUTCH WEIGHT SPRING 1	27250	3
27	9034922	Låsering	CIRCLIP 8	10133	3
28		Møtrik M36X1,5	NUT M36X1.5	23928	1
29			DRIVEN ASSY COMPLETE	27248	1
30			DRIVE ASSY COMPLETE	27254	1
31			WASHER PLATE 21.5	27253	1

Fig. 43 Generator

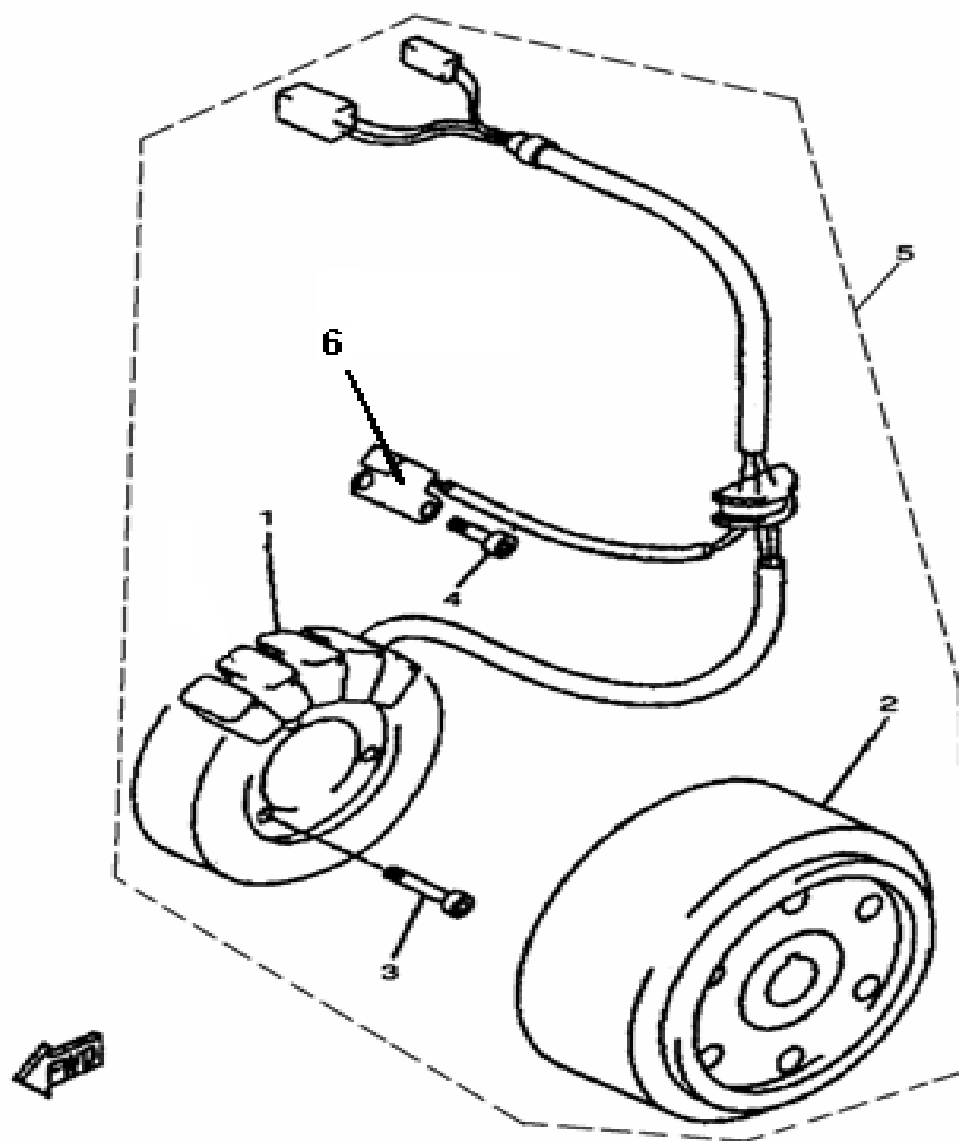


Fig. 43	PL. Nr	Varenavn	Art name	Oe-ref.nr	Antal/pcs
1	9040316	Stator	STATOR ASSY (THE COLOR OF a IS WHITE)	24001	1
2	9040318	Svinghjul løs	ROTOR ASSY (GREEN COLOR)	27244	1
3	9034936	Bolt	SOCKET HEAD BOLT M5X25	10134	3
3	9040315	Bolt	SOCKET HEAD BOLT M6X25 (FOR HEAVY POWER OR EFI)	10085	3
4	9034937	Bolt	SOCKET HEAD BOLT M5X12	10135	2
5	9040317	Generator komplet med svinghjul	GENERATOR ASSY	27243	1
6	9029781	Taktgiver/hallgiver	PICK UP COIL	24006	1

Fig. 44 Starter

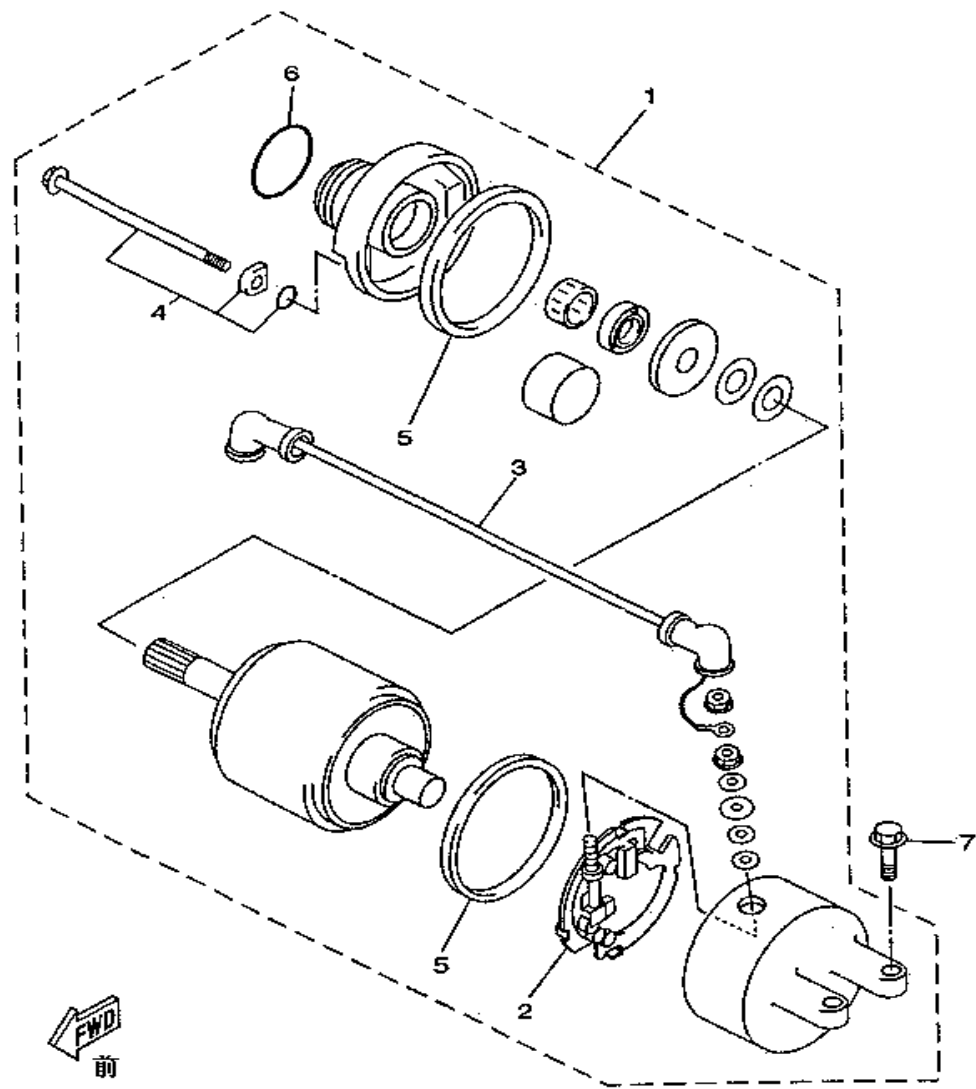


Fig. 44	PL. Nr	Varenavn	Art name	Oe-ref.nr	Antal/pcs
1	9030086	Starter	STARTING MOTOR ASSY	24101	1
2	9029996	Kulholder	BRUSH HOLD ASSY	24102	1
3	9034943	Ledning startmotor	CORD,STARTER MOTOR	24103	1
4	9034944	Bolt	BOLT	24104	2
5	9034945	Pakning	GASKET	24105	2
6	9034946	O-ring 24.5X3	O-RING 24.5X3	24106	1
7	9034947	Bolt M6X25	FLANGE BOLT M6X25	24107	2

Fig. 45 Special tool

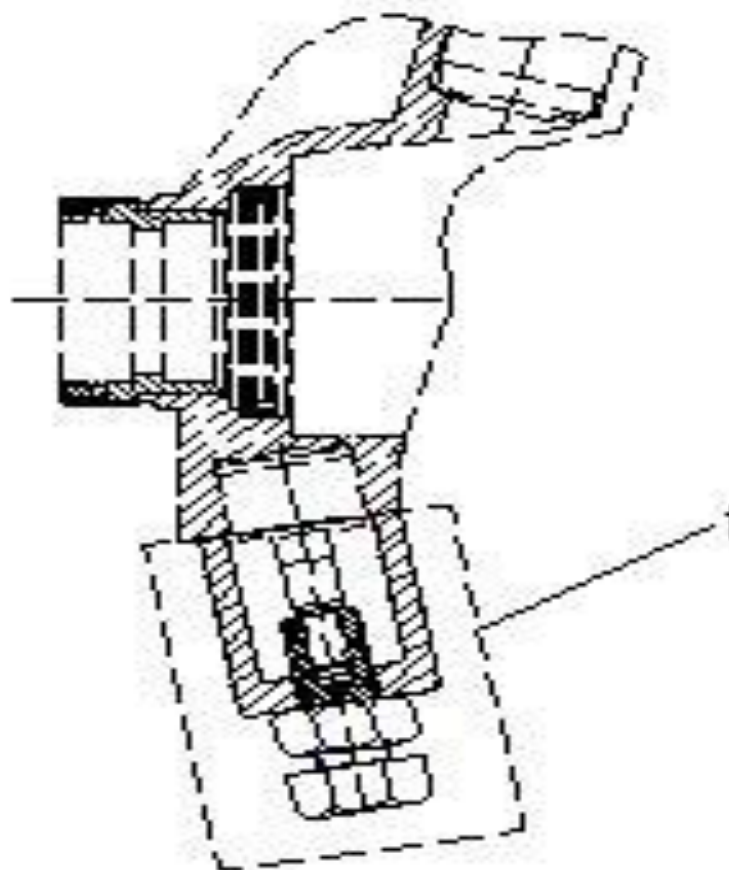


Fig. 45	PL. Nr	Varenavn	Art name	Oe-ref.nr	Antal/pcs
1	9029638	Specialværktøj for styretøj	TOOL FOR BALL JOINT,STRUT REMOVAL	24801	1