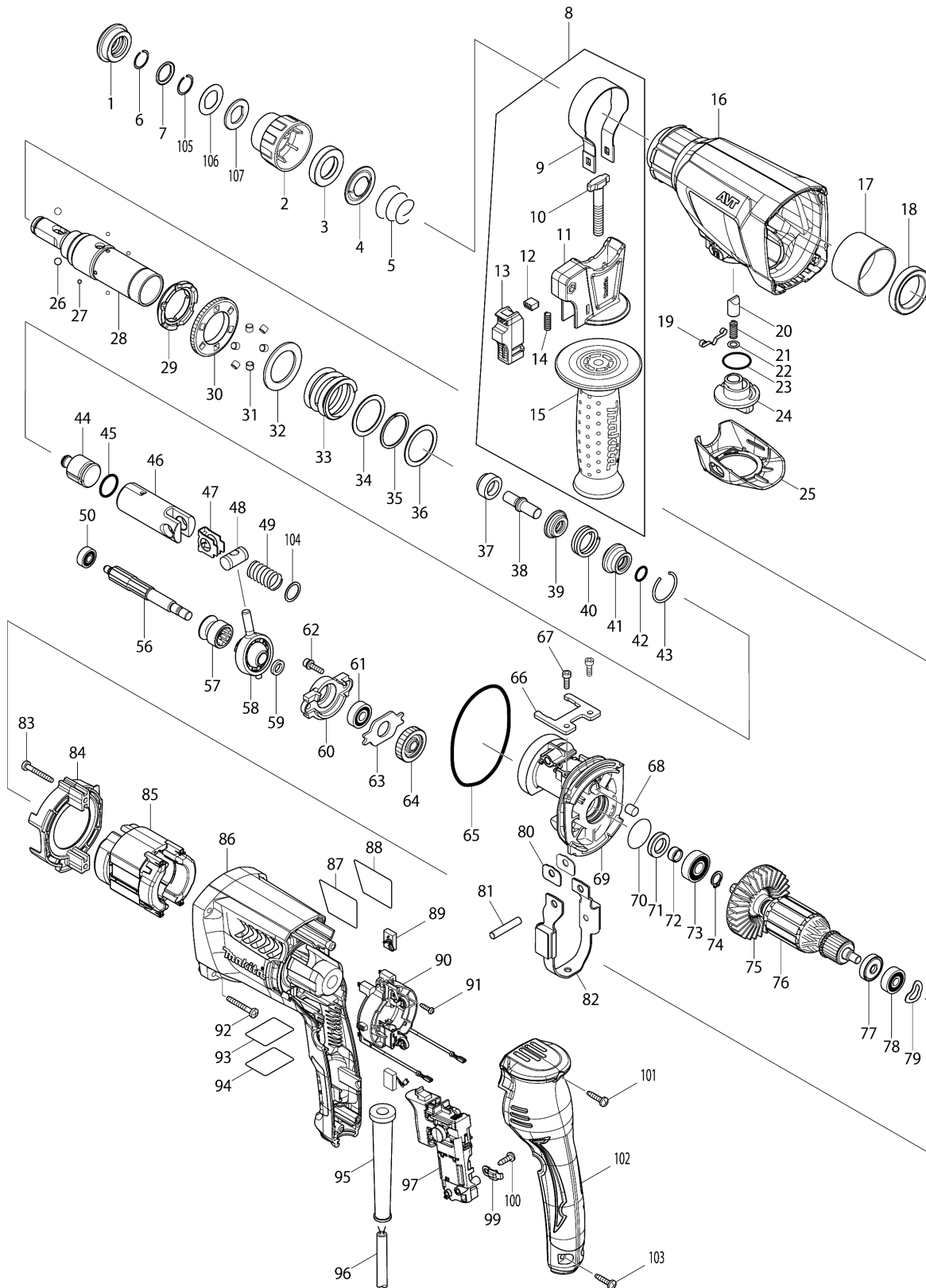


Model No.HR2601 26MM ROTARY HAMMER



Model No.HR2601 26MM ROTARY HAMMER

Item	Parts No.	Description	I/C	Qty	New/Old	Opt. 1	Opt. 2	Note
001	286288-8	CAP 35		1				
002	451533-2	CHUCK COVER		1	*			
002-1	455393-4	CHUCK COVER	S	1				
003	325813-1	RING 21		1				
004	346177-0	GUIDE WASHER		1				
005	233916-6	CONICAL COMP. SPRING 21-29		1				
006	233989-9	RING SPRING 14		1				
007	346221-3	WASHER 16		1	*			
007-1	346834-0	WASHER 16	S	1				
008	122878-2	GRIP ASSEMBLY		1				
D10		INC. 9-15						
009	346181-9	GRIP SPRING 50		1				
010	266349-0	SQUARE BOLT M8X50		1				
011	451539-0	GRIP BASE		1				
012A	313179-1	RACK		1	*			
013A	451540-5	LOCK BUTTON		1	*			
013-1A	141765-6	LOCK BUTTON COMPLETE	S	1				
013-1B	141765-6	LOCK BUTTON COMPLETE		1				
014	233360-7	COMPRESSION SPRING 4		1				
015	154935-8	GRIP 36 COMPLETE		1				
016	140268-7	GEAR HOUSING COMPLETE		1				
C10	213345-9	OIL SEAL 25		1				
017	331890-3	CUP SLEEVE		1				
018	211294-4	BALL BEARING 6806LLU		1				
019	232152-1	LEAF SPRING		1				
020	325785-0	PUSH CORN		1				
021	234147-0	COMPRESSION SPRING 5		1				
022	253308-3	THIN WASHER 6		1				
023	213381-5	O RING 21		1				
024	451531-6	CHANGE LEVER B		1				
025	451532-4	CHANGE LEVER COVER B		1				
026	216022-2	STEEL BALL 7.0		2				
027	216019-1	STEEL BALL 3		4				
028	140265-3	TOOL HOLDER COMPLETE		1	*			
028-1	142972-4	TOOL HOLDER COMPLETE	<	1				
029	313149-0	DRIVING FLANGE		1	*			
029-1	332139-4	DRIVING FLANGE	S	1				
030	227232-6	SPUR GEAR 51		1	*			
030-1	227360-7	SPUR GEAR 51	S	1				
031	268226-2	PIN 6		6	*			
032	267414-8	FLAT WASHER 30		1	*			
033	234148-8	COMPRESSION SPRING 31		1				

Please order the parts with part number.

Print Date 3/6/2019

Model No.HR2601 26MM ROTARY HAMMER

Item	Parts No.	Description	I/C	Qty	New/Old	Opt. 1	Opt. 2	Note
034	267153-0	FLAT WASHER 30		1				
035	257932-4	SPIRO LOCK WASHER 30		1				
036	267153-0	FLAT WASHER 30		1				
037	325783-4	SLEEVE 9B		1				
038	325789-2	IMPACT BOLT A		1				
039	325792-3	WASHER 10		1				
040	234149-6	COMPRESSION SPRING 20		1				
041	325793-1	O-RING CASE B		1				
042	213073-6	O RING 9		1				
043	233979-2	RING SPRING 28		1				
044	325784-2	STRIKER		1				
045	213258-4	O RING 17.5		1				
046	310345-1	PISTON CYLINDER		1				
047	346036-8	GUIDE PLATE		1				
048	324215-8	PISTON JOINT		1				
049	234098-7	COMPRESSION SPRING 14		1				
050	211012-0	BALL BEARING 606ZZ		1	*			
050-1	210028-2	BALL BEARING 606ZZ	O	1				
056	227243-1	SPUR GEAR 10		1				
057	331815-7	CLUTCH CAM B		1				
058	219020-5	SWASH BEARING 10		1				
059	267234-0	FLAT WASHER 8		1				
060	310344-3	BEARING BOX		1				
061	211032-4	BALL BEARING 608ZZ		1				
062	266437-3	HEX. SOCKET HEAD BOLT M4X16		2				
063	285735-6	BEARING RETAINER		1				
064	227719-8	HELICAL GEAR 26		1				
065	213728-3	O-RING 68		1				
066	346222-1	PLATE		1				
067	265353-6	HEX. SOCKET HEAD BOLT M4X12		2				
068A	443153-6	FELT		1	*			
069A	140267-9	INNER HOUSING COMPLETE		1	*			
069-1A	141573-5	INNER HOUSING COMPLETE	S	1	*			
069-2A	141573-5	INNER HOUSING COMPLETE	O	1				
069-2B	141573-5	INNER HOUSING COMPLETE		1				
070	213407-3	O RING 26		1				
071A	213133-4	OIL SEAL 12		1	*			
071-1A	213678-2	OIL SEAL 12	O	1				
071-1B	213678-2	OIL SEAL 12		1				
072	262569-4	SLEEVE 9		1				
073	211097-6	BALL BEARING 6000LLB		1				

Please order the parts with part number.

Print Date 3/6/2019

Model No.HR2601 26MM ROTARY HAMMER

Item	Parts No.	Description	I/C	Qty	New/Old	Opt. 1	Opt. 2	Note
074	961006-2	RETAINING RING S-10		1				
075	240121-8	FAN 65		1				
076	515359-7	ARMATURE ASSEMBLY 240V		1				
D10		INC. 72-75,77,78						
077	681652-2	INSULATION WASHER		1				
078	210023-2	BALL BEARING 627DDW		1				
079	267804-5	WAVE WASHER 15		1				
080	346180-1	WEIGHT HOLDER GUIDE		2				
081	256246-8	PIN 6		1				
082	165593-5	COUNTER WEIGHT		1				
083	266361-0	TAPPING SCREW 4X30		2				
084	451527-7	BAFFLE PLATE		1				
085	626634-7	FIELD 240V		1				
086	451536-6	MOTOR HOUSING		1				
087	867682-9	HR2601 NAME PLATE		1				
088	819390-8	CLEAR LABEL		1	*			
088-1	816R90-9	CLEAR LABEL	O	1	*			
089	194074-2	CARBON BRUSH CB-325		1				
090	638655-7	BRUSH HOLDER UNIT		1				
091	266556-5	TAPPING SCREW 3X12		2				
092	266361-0	TAPPING SCREW 4X30		4				
093	867685-3	HR2601 SERIAL NO.LABEL		1				
094	819389-3	CLEAR LABEL		1	*			
094-1	816R89-4	CLEAR LABEL	O	1	*			
095	682566-8	CORD GUARD 10		1				
096	665890-4	POWER SUPPLY CORD 1.0-2-4.0		1				
097	650625-6	SWITCH		1	*			
097-1	651090-2	SWITCH TG853TB-3	O	1				
099	687682-1	STRAIN RELIEF		1				
100	266385-6	TAPPING SCREW 4X14		1				
101	266326-2	TAPPING SCREW 4X18		1				
102	451528-5	HANDLE COVER		1				
103	266326-2	TAPPING SCREW 4X18		2				
104	267447-3	FLAT WASHER 14		1				
105	233992-0	RING SPRING 15		1				
106	267437-6	FLAT WASHER 17		1	*			
106-1	267114-0	FLAT WASHER 17	S	1				
107	424364-2	RUBBER WASHER 16		1	*			
A01	331886-4	DEPTH GAUGE		1				
A02A	824913-9	PLASTIC CARRYING CASE		1				
C10	162302-3	LATCH		2				
C20	324207-7	SHAFT		1				

Please order the parts with part number.

Print Date 3/6/2019

Model No.HR2601 26MM ROTARY HAMMER

Item	Parts No.	Description	I/C	Qty	New/Old	Opt. 1	Opt. 2	Note
C30	451749-9	HANDLE		1				
A02B	821550-0	CONNECTOR PLASTIC CASE (TYPE2)		1				
C10	453974-8	LATCH		4				
A03A	816430-3	HR2601 PLASTIC CASE LABEL		2	*			
A03B	802P00-0	HR2601J PLASTIC CASE LABEL		2	*			
A03-1A	816V94-5	HR2601 PLASTIC CASE LABEL	X	2				
A03-1B	816V97-9	HR2601J PLASTIC CASE LABEL	X	2				
A04B	802N99-3	HR2601J INDICATION LABEL		1	*			
A04-1B	816V96-1	HR2601J INDICATION LABEL	O	1				
A05B	837651-4	INNER TRAY		1				
A07B	198993-4	GREASE VESSEL SET		1				

Please order the parts with part number.

Print Date 3/6/2019