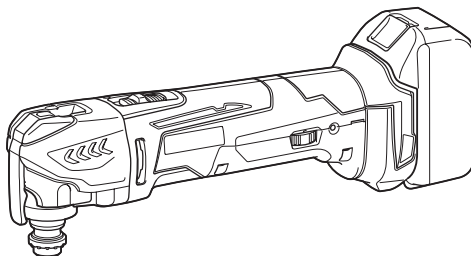




EN	Cordless Multi Tool	INSTRUCTION MANUAL	4
SV	Batteridrivnen multifunktionell maskin	BRUKSANVISNING	10
NO	Flerfunksjonsverktøy uten ledning	BRUKSANVISNING	16
FI	Akkukäyttöinen monitoimityökalu	KÄYTTÖOHJE	22
LV	Bezvadu daudzfunkciju darbarīks	LIETOŠANAS INSTRUKCIJA	28
LT	Akumuliatorinis daugiafunkcis įrankis	NAUDOJIMO INSTRUKCIJA	34
ET	Juhtmeta universaaltööriist	KASUTUSJUHEND	40
RU	Аккумуляторный Универсальный Резак	РУКОВОДСТВО ПО ЭКСПЛУАТАЦИИ	46

DTM41
DTM51



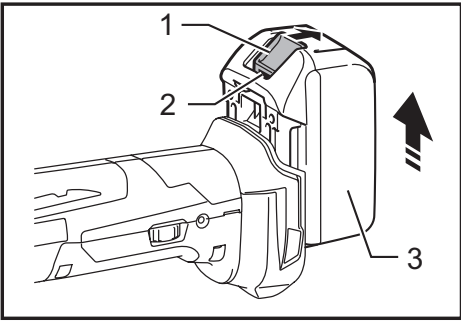


Fig.1

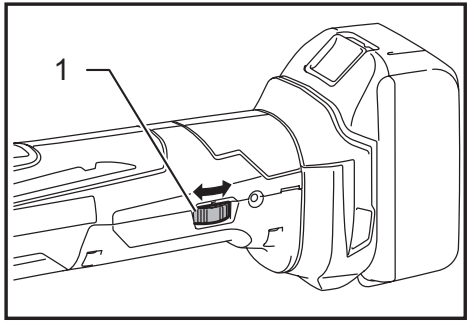


Fig.5

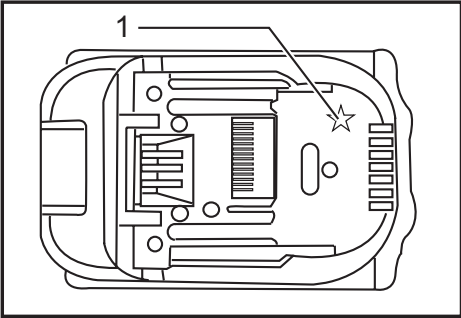


Fig.2

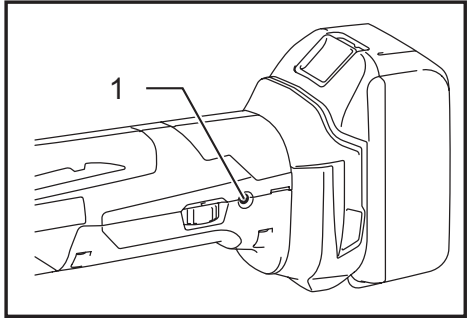


Fig.6

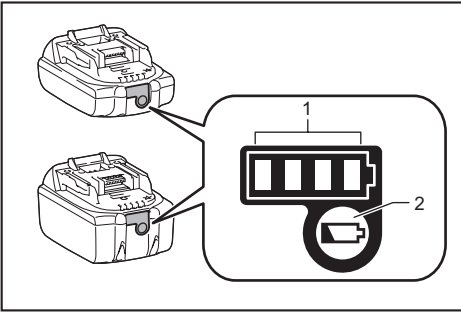


Fig.3

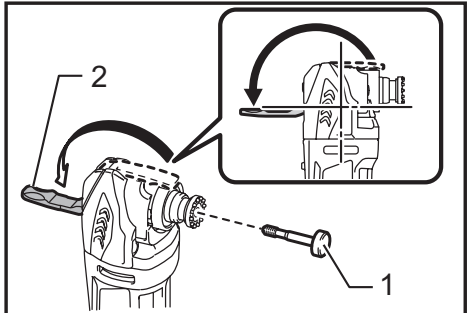


Fig.7

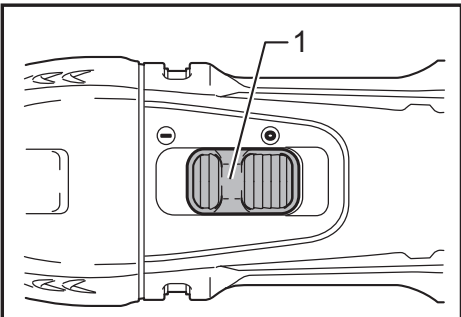


Fig.4

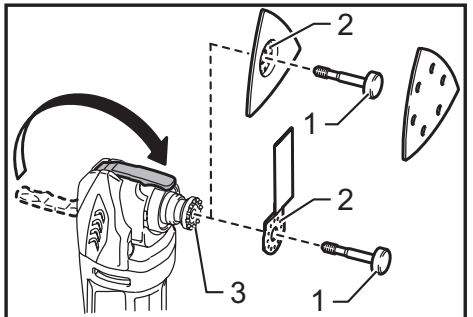


Fig.8

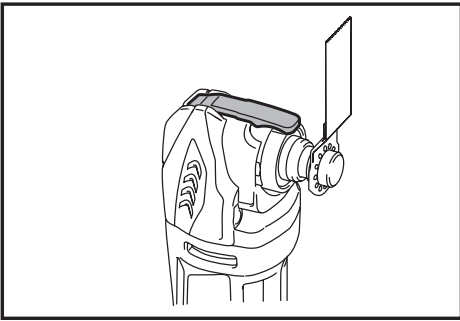


Fig.9

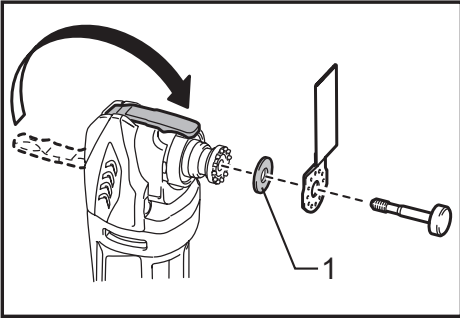


Fig.10

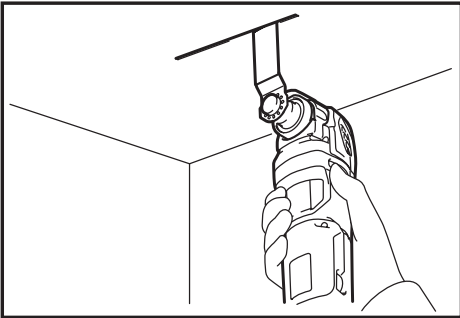


Fig.11

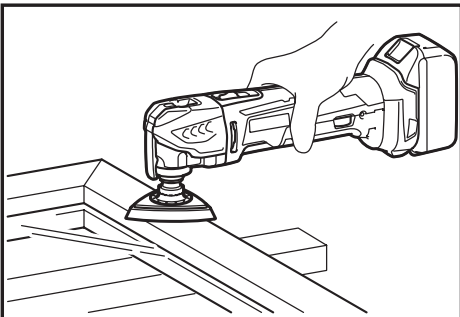


Fig.12

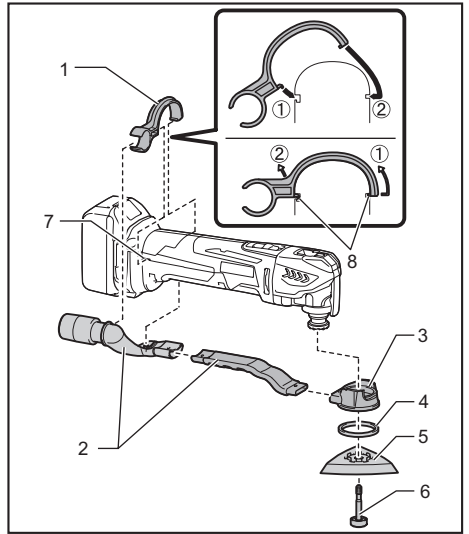


Fig.13

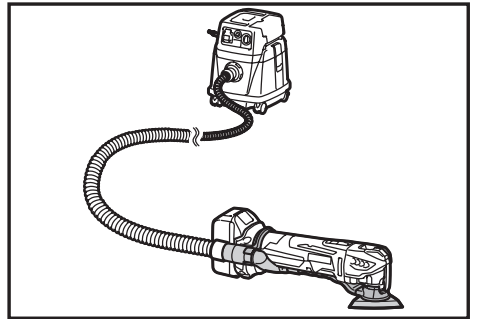


Fig.14

SPECIFICATIONS

Model	DTM41	DTM51
Oscillation per minute	6.000 - 20.000 (min ⁻¹)	
Oscillation angle, left/right	1.6 ° (3.2 ° total)	
Overall length	326 - 340 mm	
Net weight	1.9 - 2.3 kg	2.0 - 2.4 kg
Rated voltage	D.C. 14.4 V	D.C. 18 V

- Due to our continuing program of research and development, the specifications herein are subject to change without notice.
- Specifications may differ from country to country.
- The weight may differ depending on the attachment(s), including the battery cartridge. The lightest and heaviest combination, according to EPTA-Procedure 01/2014, are shown in the table.

Applicable battery cartridge and charger

Battery cartridge	D.C.14.4 V Model	BL1415N / BL1430 / BL1430B / BL1440 / BL1450 / BL1460B
	D.C.18 V Model	BL1815N / BL1820 / BL1820B / BL1830 / BL1830B / BL1840 / BL1840B / BL1850 / BL1850B / BL1860B
Charger		DC18RC / DC18RD / DC18RE / DC18SD / DC18SE / DC18SF

- Some of the battery cartridges and chargers listed above may not be available depending on your region of residence.

⚠WARNING: Only use the battery cartridges and chargers listed above. Use of any other battery cartridges and chargers may cause injury and/or fire.

Intended use

The tool is intended for sawing and cutting wood, plastic, gypsum, non-ferrous metals, and fastening elements (e. g. unhardened nails and staples). It is also intended for working soft wall tiles, as well as dry sanding and scraping of small surfaces. It is especially for working close to edge and flush cutting.

Noise

The typical A-weighted noise level determined according to EN62841:

Work mode: Sanding

Model DTM41

Sound pressure level (L_{pA}) : 76 dB (A)
Uncertainty (K) : 3 dB (A)

The noise level under working may exceed 80 dB (A).

Model DTM51

Sound pressure level (L_{pA}) : 77 dB (A)
Uncertainty (K) : 3 dB (A)

The noise level under working may exceed 80 dB (A).

Work mode: Cutting with plunge cut saw blade

Model DTM41

Sound pressure level (L_{pA}) : 80 dB (A)
Sound power level (L_{WA}) : 91 dB (A)
Uncertainty (K) : 3 dB (A)

Model DTM51

Sound pressure level (L_{pA}) : 81 dB (A)
Sound power level (L_{WA}) : 92 dB (A)
Uncertainty (K) : 3 dB (A)

Work mode: Cutting with segmental saw blade

Model DTM41

Sound pressure level (L_{pA}) : 77 dB (A)
Uncertainty (K) : 3 dB (A)

The noise level under working may exceed 80 dB (A).

Model DTM51

Sound pressure level (L_{pA}) : 76 dB (A)
Uncertainty (K) : 3 dB (A)

The noise level under working may exceed 80 dB (A).

Work mode: Scraping

Model DTM41

Sound pressure level (L_{pA}) : 78 dB (A)
Uncertainty (K) : 3 dB (A)

The noise level under working may exceed 80 dB (A).

Model DTM51

Sound pressure level (L_{pA}) : 80 dB (A)
Sound power level (L_{WA}) : 91 dB (A)
Uncertainty (K) : 3 dB (A)

Wear ear protection

Vibration

The vibration total value (tri-axial vector sum) determined according to EN62841:

Model DTM41

Work mode : sanding
Vibration emission (a_h) : 3.0 m/s²
Uncertainty (K) : 1.5 m/s²

Model DTM51

Work mode : sanding
Vibration emission (a_h) : 3.0 m/s²
Uncertainty (K) : 1.5 m/s²

Model DTM41

Work mode : cutting with plunge cut saw blade

Vibration emission (a_h) : 7.0 m/s²

Uncertainty (K) : 1.5 m/s²

Model DTM51

Work mode : cutting with plunge cut saw blade

Vibration emission (a_h) : 7.0 m/s²

Uncertainty (K) : 1.5 m/s²

Model DTM41

Work mode : cutting with segment saw blade

Vibration emission (a_h) : 4.5 m/s²

Uncertainty (K) : 1.5 m/s²

Model DTM51

Work mode : cutting with segment saw blade

Vibration emission (a_h) : 4.5 m/s²

Uncertainty (K) : 1.5 m/s²

Model DTM41

Work mode : scraping

Vibration emission (a_h) : 5.0 m/s²

Uncertainty (K) : 1.5 m/s²

Model DTM51

Work mode : scraping

Vibration emission (a_h) : 5.5 m/s²

Uncertainty (K) : 1.5 m/s²

NOTE: The declared vibration emission value has been measured in accordance with the standard test method and may be used for comparing one tool with another.

NOTE: The declared vibration emission value may also be used in a preliminary assessment of exposure.

⚠WARNING: The vibration emission during actual use of the power tool can differ from the declared emission value depending on the ways in which the tool is used.

⚠WARNING: Be sure to identify safety measures to protect the operator that are based on an estimation of exposure in the actual conditions of use (taking account of all parts of the operating cycle such as the times when the tool is switched off and when it is running idle in addition to the trigger time).

EC Declaration of Conformity

For European countries only

The EC declaration of conformity is included as Annex A to this instruction manual.

General power tool safety warnings

⚠WARNING: Read all safety warnings, instructions, illustrations and specifications provided with this power tool. Failure to follow all instructions listed below may result in electric shock, fire and/or serious injury.

Save all warnings and instructions for future reference.

The term "power tool" in the warnings refers to your mains-operated (corded) power tool or battery-operated (cordless) power tool.

CORDLESS MULTI TOOL SAFETY WARNINGS

1. **This power tool is intended to function for sawing, cutting, grinding and sanding. Read all safety warnings, instructions, illustrations and specifications provided with this power tool.** Failure to follow all instructions listed below may result in electric shock, fire and/or serious injury.
2. **Hold power tool by insulated gripping surfaces, when performing an operation where the cutting accessory may contact hidden wiring.** Cutting accessory contacting a "live" wire may make exposed metal parts of the power tool "live" and could give the operator an electric shock.
3. **Use clamps or another practical way to secure and support the workpiece to a stable platform.** Holding the work by hand or against your body leaves it unstable and may lead to loss of control.
4. **Always use safety glasses or goggles. Ordinary eye or sun glasses are NOT safety glasses.**
5. **Avoid cutting nails. Inspect workpiece for any nails and remove them before operation.**
6. **Hold the tool firmly.**
7. **Make sure the application tool is not contacting the workpiece before the switch is turned on.**
8. **Keep hands away from moving parts.**
9. **Do not leave the tool running. Operate the tool only when hand-held.**
10. **Always switch off and wait for the blade to come to a complete stop before removing the blade from the workpiece.**
11. **Do not touch the application tool or the workpiece immediately after operation; they may be extremely hot and could burn your skin.**
12. **Do not operate the tool at no-load unnecessarily.**
13. **Always use the correct dust mask/respirator for the material and application you are working with.**
14. **Some material contains chemicals which may be toxic. Take caution to prevent dust inhalation and skin contact. Follow material supplier safety data.**
15. **This tool has not been waterproofed, so do not use water on the workpiece surface.**
16. **Ventilate your work area adequately when you perform sanding operations.**
17. **Use of this tool to sand some products, paints and wood could expose user to dust containing hazardous substances. Use appropriate respiratory protection.**
18. **Be sure that there are no cracks or breakage on the pad before use. Cracks or breakage may cause a personal injury.**
19. **Do not use accessories which are not specifically designed and recommended by the tool manufacturer.** Just because the accessory can be attached to your power tool, it does not assure safe operation.

20. **Wear personal protective equipment.** Depending on application, use face shield, safety goggles or safety glasses. As appropriate, wear hearing protectors, gloves and workshop apron capable of stopping small abrasive or workpiece fragments. The eye protection must be capable of stopping flying debris generated by various operations. The dust mask or respirator must be capable of filtrating particles generated by your operation. Prolonged exposure to high intensity noise may cause hearing loss.
21. **Keep bystanders a safe distance away from work area. Anyone entering the work area must wear personal protective equipment.** Fragments of workpiece or of a broken accessory may fly away and cause injury beyond immediate area of operation.
22. **Never lay the power tool down until the accessory has come to a complete stop.** The spinning accessory may grab the surface and pull the power tool out of your control.
23. **Do not run the power tool while carrying it at your side.** Accidental contact with the accessory could snag your clothing, pulling the accessory into your body.
24. **Do not operate the power tool near flammable materials.** Sparks could ignite these materials.
25. **Do not use accessories that require liquid coolants.** Using water or other liquid coolants may result in electrocution or shock.
26. **Always be sure that the tool is switched off and unplugged or that the battery cartridge is removed before carrying out any work on the tool.**
27. **Always be sure you have a firm footing. Be sure no one is below when using the tool in high locations.**
5. **Do not short the battery cartridge:**
 - (1) **Do not touch the terminals with any conductive material.**
 - (2) **Avoid storing battery cartridge in a container with other metal objects such as nails, coins, etc.**
 - (3) **Do not expose battery cartridge to water or rain.**
A battery short can cause a large current flow, overheating, possible burns and even a breakdown.
6. **Do not store the tool and battery cartridge in locations where the temperature may reach or exceed 50 °C (122 °F).**
7. **Do not incinerate the battery cartridge even if it is severely damaged or is completely worn out. The battery cartridge can explode in a fire.**
8. **Be careful not to drop or strike battery.**
9. **Do not use a damaged battery.**
10. **The contained lithium-ion batteries are subject to the Dangerous Goods Legislation requirements.**
For commercial transports e.g. by third parties, forwarding agents, special requirement on packaging and labeling must be observed.
For preparation of the item being shipped, consulting an expert for hazardous material is required. Please also observe possibly more detailed national regulations.
Tape or mask off open contacts and pack up the battery in such a manner that it cannot move around in the packaging.
11. **Follow your local regulations relating to disposal of battery.**
12. **Use the batteries only with the products specified by Makita.** Installing the batteries to non-compliant products may result in a fire, excessive heat, explosion, or leak of electrolyte.

SAVE THESE INSTRUCTIONS.

⚠WARNING: DO NOT let comfort or familiarity with product (gained from repeated use) replace strict adherence to safety rules for the subject product. MISUSE or failure to follow the safety rules stated in this instruction manual may cause serious personal injury.

Important safety instructions for battery cartridge

1. **Before using battery cartridge, read all instructions and cautionary markings on (1) battery charger, (2) battery, and (3) product using battery.**
2. **Do not disassemble battery cartridge.**
3. **If operating time has become excessively shorter, stop operating immediately. It may result in a risk of overheating, possible burns and even an explosion.**
4. **If electrolyte gets into your eyes, rinse them out with clear water and seek medical attention right away. It may result in loss of your eyesight.**

SAVE THESE INSTRUCTIONS.

⚠CAUTION: Only use genuine Makita batteries. Use of non-genuine Makita batteries, or batteries that have been altered, may result in the battery bursting causing fires, personal injury and damage. It will also void the Makita warranty for the Makita tool and charger.

Tips for maintaining maximum battery life

1. **Charge the battery cartridge before completely discharged. Always stop tool operation and charge the battery cartridge when you notice less tool power.**
2. **Never recharge a fully charged battery cartridge. Overcharging shortens the battery service life.**
3. **Charge the battery cartridge with room temperature at 10 °C - 40 °C (50 °F - 104 °F). Let a hot battery cartridge cool down before charging it.**
4. **Charge the battery cartridge if you do not use it for a long period (more than six months).**

FUNCTIONAL DESCRIPTION

⚠ WARNING:

- Always be sure that the tool is switched off and battery cartridge is removed before adjusting or checking function on the tool. Failure to switch off and remove the battery cartridge may result in serious personal injury from accidental start-up.

Installing or removing battery cartridge

► Fig.1: 1. Button 2. Red indicator 3. Battery cartridge

⚠ CAUTION:

- Always switch off the tool before installing or removing of the battery cartridge.
- Hold the tool and the battery cartridge firmly when installing or removing battery cartridge. Failure to hold the tool and the battery cartridge firmly may cause them to slip off your hands and result in damage to the tool and battery cartridge and a personal injury.

To remove the battery cartridge, slide it from the tool while sliding the button on the front of the cartridge. To install the battery cartridge, align the tongue on the battery cartridge with the groove in the housing and slip it into place. Insert it all the way until it locks in place with a little click. If you can see the red indicator on the upper side of the button, it is not locked completely.

⚠ CAUTION:

- Always install the battery cartridge fully until the red indicator cannot be seen. If not, it may accidentally fall out of the tool, causing injury to you or someone around you.
- Do not install the battery cartridge forcibly. If the cartridge does not slide in easily, it is not being inserted correctly.

Battery protection system (Lithium-ion battery with star marking)

► Fig.2: 1. Star marking

Lithium-ion batteries with a star marking are equipped with a protection system. This system automatically cuts off power to the tool to extend battery life.

The tool will automatically stop during operation if the tool and/or battery are placed under one of the following conditions:

- Overloaded:

The tool is operated in a manner that causes it to draw an abnormally high current.

In this situation, slide the slide switch on the tool toward the "O (OFF)" position and stop the application that caused the tool to become overloaded. Then slide the slide switch toward the "I (ON)" position again to restart.

If the tool does not start, the battery is overheated. In this situation, let the battery cool before sliding the slide switch toward the "I (ON)" position again.

- Low battery voltage:

The remaining battery capacity is too low and the tool will not operate. In this situation, remove and recharge the battery.

Overheat protection

When the tool is overloaded and the tool temperature reaches a certain level, the tool automatically stops. In this situation, let the tool cool before turning on the tool again.

Indicating the remaining battery capacity

Only for battery cartridges with the indicator

► Fig.3: 1. Indicator lamps 2. Check button

Press the check button on the battery cartridge to indicate the remaining battery capacity. The indicator lamps light up for a few seconds.

Indicator lamps			Remaining capacity
Lighted	Off	Blinking	
■	□	◐	75% to 100%
■	■	□	50% to 75%
■	■	□	25% to 50%
■	□	□	0% to 25%
◐	□	□	Charge the battery.
■	■	□	The battery may have malfunctioned.
□	□	■	

NOTE: Depending on the conditions of use and the ambient temperature, the indication may differ slightly from the actual capacity.

Switch action

► Fig.4: 1. Slide switch

⚠ CAUTION:

- Before installing the battery cartridge into the tool, always check to see that the tool is switched off.

To start the tool, slide the slide switch toward the "I (ON)" position.

To stop the tool, slide the slide switch toward the "O (OFF)" position.

Adjusting the orbital stroke rate

► Fig.5: 1. Dial

The orbital stroke rate is adjustable. To change the orbital stroke rate, turn the dial between 1 and 6. The higher the number is, the higher the orbital stroke rate is. Preset the dial to the number suitable for your workpiece.

NOTE:

- The dial cannot be turned directly from 1 to 6 or from 6 to 1. Forcing the dial may damage the tool. When changing the dial direction, always turn the dial moving it through each intermediate number.

Indication lamp

► Fig.6: 1. Indication lamp

- When the remaining battery capacity gets low, the indication lamp blinks.
- When the remaining battery capacity gets much lower, the tool stops during operation and the indication lamp lights up about 10 seconds.

At this time, remove the battery cartridge from the tool and charge it.

ASSEMBLY

⚠ CAUTION:

- Always be sure that the tool is switched off and the battery cartridge is removed before carrying out any work on the tool.

Installing or removing application tool (optional accessory)

⚠ WARNING:

- Do not install application tool upside down. Installing application tool upside down may damage the tool and cause serious personal injury.
- Install attachment tool in the correct direction according to your work. Application tool can be installed at an angle of every 30 degree.

⚠ CAUTION:

- Be careful when closing the lock lever. The lock lever may close suddenly and pinch your finger.
- Clean up dust and perform lubrication on the moving part of the lock lever from time to time. Otherwise dust may accumulate in the moving part of the lock lever and hinder its smooth movement.
- Do not start the tool while the lever opens. The tool may be damaged.

1. Open the lock lever fully. And remove the holder bolt.

► Fig.7: 1. Holder bolt 2. Lock lever

2. Put an application tool (optional accessory) on the tool flange so that the protrusions of the tool flange fit in the holes in the application tool.

► Fig.8: 1. Holder bolt 2. Holes in the application tool 3. Protrusions of the tool flange

3. Insert the holder bolt till it stops. And then, return the lock lever to its original position.

► Fig.9

When using sanding application tool, mount the application tool on the sanding pad so that it matches the sanding pad direction.

The sanding pad has a hook and loop type fitting system which allows easy and rapid fitting of a sanding paper.

As sanding papers have holes for dust extraction, mount a sanding paper so that the holes in a sanding paper match those in the sanding pad.

To remove a sanding paper, raise its end and peel it off.

To remove the holder bolt, follow the installation procedures in reverse.

► Fig.10: 1. Adapter

When using application tools with a different type of installation section, use a correct adapter (optional accessory).

OPERATION

⚠ WARNING:

- Before starting the tool and during operation, keep your hand and face away from the application tool.

⚠ CAUTION:

- Do not apply excessive load to the tool which may cause a motor lock and stop the tool.

Cutting, sawing and scraping

⚠ CAUTION:

- Do not move on the tool forcibly in the direction (eg. towards either side) of tool application with no cutting edge. It may damage the tool.

► Fig.11

Put the application tool on the workpiece.

And then move the tool forward so that the application tool movement does not slow down.

NOTE:

- Forcing or excessive pressure on the tool may reduce efficiency.
- Before cutting operation, it is recommended to preset the orbital stroke rate 4 - 6.
- Remove sawdust by drawing the tool adequately. It increases work efficiency.
- The round saw is recommended for cutting long straight line.

Sanding

⚠ CAUTION:

- Do not reuse a sanding paper used for sanding metal to sand wood.
- Do not use a worn sanding paper or sanding paper without grit.

► Fig.12

Apply a sanding paper on the workpiece.

NOTE:

- Using a test material sample to try is recommendable to determine a correct orbital stroke rate suitable for your work.
- Use a sanding paper with the same grit until sanding the whole workpiece is completed. Replacing a sanding paper with different grit sanding paper may not get a fine finish.

Dust extraction attachment (optional accessory)

► Fig.13: 1. Nozzle band 2. Dust nozzle 3. Dust attachment 4. Felt ring 5. Pad 6. Holder bolt 7. Holes in the tool 8. Protrusions on the nozzle band

- Install dust nozzles and dust attachment.
- Install the nozzle band on the tool so that its protrusions fit in the holes in the tool to secure it.
- Put the felt ring and the sanding pad on the dust attachment and then secure them with the application tool installation bolt.

► Fig.14

When you wish to perform cleaner operation, connect a vacuum cleaner to your tool. Connect a hose of vacuum cleaner to the dust extraction attachment (optional accessory).

MAINTENANCE

⚠ CAUTION:

- Always be sure that the tool is switched off and the battery cartridge is removed before attempting to perform inspection or maintenance.
- Never use gasoline, benzine, thinner, alcohol or the like. Discoloration, deformation or cracks may result.

To maintain product SAFETY and RELIABILITY, repairs, carbon brush inspection and replacement, any other maintenance or adjustment should be performed by Makita Authorized Service Centers, always using Makita replacement parts.

OPTIONAL ACCESSORIES

⚠ CAUTION:

- These accessories or attachments are recommended for use with your Makita tool specified in this manual. The use of any other accessories or attachments might present a risk of injury to persons. Only use accessory or attachment for its stated purpose.

If you need any assistance for more details regarding these accessories, ask your local Makita Service Center.

- Segment saw blade
- Round saw blade
- Plunge cut saw blade
- Scraper (rigid)
- Scraper (flexible)
- Serrated seg blade
- General joint cutter
- HM remover
- HM seg saw blade
- HM sanding plate
- Diamond seg sawblade
- Sanding pad
- Adapter
- Abrasive paper delta (red / white / black)
- Fleece delta (medium / coarse / without grit)
- Polishing felt delta
- Hex wrench
- Dust extraction attachment
- Makita genuine battery and charger

NOTE:

- Some items in the list may be included in the tool package as standard accessories. They may differ from country to country.

SPECIFIKATIONER

Modell	DTM41	DTM51
Svängningar per minut	6 000 - 20 000 (min ⁻¹)	
Oscillationsvinkel, vänster/höger	1,6 ° (totalt 3,2 °)	
Total längd	326 - 340 mm	
Vikt	1,9 - 2,3 kg	2,0 - 2,4 kg
Märkspänning	14,4 V likström	18 V likström

- På grund av vårt pågående program för forskning och utveckling kan dessa specifikationer ändras utan föregående meddelande.
- Specifikationer kan variera mellan olika länder.
- Vikten kan variera beroende på tillbehören, inklusive batterikassett. Den lättaste och den tyngsta kombinationen enligt EPTA-procedur 01/2014 visas i tabellen.

Tillgänglig batterikassett och laddare

Batterikassett	14,4 V likströmsmodell	BL1415N / BL1430 / BL1430B / BL1440 / BL1450 / BL1460B
	18 V likströmsmodell	BL1815N / BL1820 / BL1820B / BL1830 / BL1830B / BL1840 / BL1840B / BL1850 / BL1850B / BL1860B
Laddare		DC18RC / DC18RD / DC18RE / DC18SD / DC18SE / DC18SF

- Vissa av batterikassetterna och laddarna på listan ovan kanske inte finns tillgängliga i din region.

⚠ VARNING: Använd endast batterikassetter och laddare från listan ovan. Användning av andra batterikassetter och laddare kan orsaka personskada och/eller brand.

Avsedd användning

Maskinen är avsedd för sägning och kapning i trä, plast, gips, ickejärmetaller och fästdelar (t.ex. ohärdad spik och häftklamrar). Den är också avsedd för användning på mjukt väggkalk för torsligning och skrapning av små ytor. Den är speciellt avsedd för att arbeta i hörn och för slät kapning.

Buller

Typiska A-vägda bullernivån är mätt enligt EN62841:

Arbetsläge: Slipning

Modell DTM41

Ljudtrycksnivå (L_{pA}): 76 dB (A)

Måttolerans (K): 3 dB (A)

Bullernivån vid arbete kan överstiga 80 dB (A).

Modell DTM51

Ljudtrycksnivå (L_{pA}): 77 dB (A)

Måttolerans (K): 3 dB (A)

Bullernivån vid arbete kan överstiga 80 dB (A).

Arbetsläge: Kapa med dyksågblad

Modell DTM41

Ljudtrycksnivå (L_{pA}): 80 dB (A)

Ljudeffektnivå (L_{WA}): 91 dB (A)

Måttolerans (K): 3 dB (A)

Modell DTM51

Ljudtrycksnivå (L_{pA}): 81 dB (A)

Ljudeffektnivå (L_{WA}): 92 dB (A)

Måttolerans (K): 3 dB (A)

Arbetsläge: Kapa med segmentsågblad

Modell DTM41

Ljudtrycksnivå (L_{pA}): 77 dB (A)

Måttolerans (K): 3 dB (A)

Bullernivån vid arbete kan överstiga 80 dB (A).

Modell DTM51

Ljudtrycksnivå (L_{pA}): 76 dB (A)

Måttolerans (K): 3 dB (A)

Bullernivån vid arbete kan överstiga 80 dB (A).

Arbetsläge: Skrapning

Modell DTM41

Ljudtrycksnivå (L_{pA}): 78 dB (A)

Måttolerans (K): 3 dB (A)

Bullernivån vid arbete kan överstiga 80 dB (A).

Modell DTM51

Ljudtrycksnivå (L_{pA}): 80 dB (A)

Ljudeffektnivå (L_{WA}): 91 dB (A)

Måttolerans (K): 3 dB (A)

Använd hörselskydd

Vibration

Vibrationens totalvärde (tre-axlars vektorsumma) mätt enligt EN62841:

Modell DTM41

Arbetsläge: slipning

Vibrationsemission (a_{h1}): 3,0 m/s²

Måttolerans (K): 1,5 m/s²

Modell DTM51

Arbetsläge: slipning

Vibrationsemission (a_{h1}): 3,0 m/s²

Måttolerans (K): 1,5 m/s²

Modell DTM41

Arbetsläge: sågning med dyksågblad

Vibrationsemission (a_{h1}): 7,0 m/s²

Måttolerans (K): 1,5 m/s²

Modell DTM51

Arbetsläge: sågning med dyksågblad

Vibrationsemission (a_{h1}): 7,0 m/s²

Måttolerans (K): 1,5 m/s²

Modell DTM41

Arbetsläge: Kapa med segmentsågblad

Vibrationsemission (a_{h1}): 4,5 m/s²

Måttolerans (K): 1,5 m/s²

Modell DTM51

Arbetsläge: Kapa med segmentsågblad

Vibrationsemission (a_{h1}): 4,5 m/s²

Måttolerans (K): 1,5 m/s²

Modell DTM41

Arbetsläge: skrapning

Vibrationsemission (a_{h1}): 5,0 m/s²

Måttolerans (K): 1,5 m/s²

Modell DTM51

Arbetsläge: skrapning

Vibrationsemission (a_{h1}): 5,5 m/s²

Måttolerans (K): 1,5 m/s²

OBS: Det deklarerade vibrationsemissionsvärdet har uppmätts i enlighet med standardtestmetoden och kan användas för jämförandet av en maskin med en annan.

OBS: Det deklarerade vibrationsemissionsvärdet kan också användas i preliminär bedömning av exponering för vibration.

⚠ VARNING: Vibrationsemissionen under faktisk användning av maskinen kan skilja sig från det deklarerade emissionsvärdet, beroende på hur maskinen används.

⚠ VARNING: Se till att hitta säkerhetsåtgärder som kan skydda användaren och som grundar sig på en uppskattning av exponering i verkligheten (ta med i beräkningen alla delar av användandet såsom antal gånger maskinen är avstängd och när den körs på tomgång samt då startomkopplaren används).

EG-försäkran om överensstämmelse

Gäller endast inom EU

EG-försäkran om överensstämmelse inkluderas som bilaga A till denna bruksanvisning.

Allmänna säkerhetsvarningar för maskiner

⚠ VARNING: Läs alla säkerhetsvarningar, anvisningar, illustrationer och specifikationer som medföljer det här maskinen. Underlåtenhet att följa instruktionerna kan leda till elstöt, brand och/eller allvarliga personskador.

Spara alla varningar och instruktioner för framtida referens.

Termen "maskin" som anges i varningarna hänvisar till din eldrivna maskin (sladdansluten) eller batteridrivna maskin (sladdlös).

SÄKERHETSVARNINGAR FÖR BATTERIDRIVEN MULTIFUNKTIONELL MASKIN

1. Denna maskin är avsedd att användas för sågning, kapning, skrapning och slipning. Läs alla säkerhetsvarningar, anvisningar, illustrationer och specifikationer som medföljer den här maskinen. Underlåtenhet att följa alla anvisningar nedan kan leda till el-stöt, brand och/eller allvarlig skada.
2. Håll maskinen i de isolerade handtagen om det finns risk för att skärverktyget kan komma i kontakt med en dold elkabel. Om skärverktyget kommer i kontakt med en strömförande ledning blir maskinens metalldelar strömförande och kan ge operatören en elektrisk stöt.
3. Använd tvingar eller annat praktiskt för att säkra och stödja arbetsstycket på ett stabilt underlag. Att hålla arbetsstycket i händerna eller mot kroppen ger inte tillräckligt stöd och du kan förlora kontrollen.
4. Använd alltid skyddsglasögon. Vanliga glasögon och solglasögon är INTE skyddsglasögon.
5. Undvik att skära i spikar. Ta bort alla spikar i arbetsstycket innan du sågar.
6. Håll maskinen stadigt.
7. Se till att verktyget inte är i kontakt med arbetsstycket innan du aktiverar knappen.
8. Håll händerna borta från rörliga delar.
9. Lämna inte maskinen igång. Använd endast maskinen när du håller den i händerna.
10. Stäng av maskinen och vänta tills bladet stannat helt innan bladet avlägsnas från arbetsstycket.
11. Rör inte vid verktyget eller arbetsstycket omedelbart efter användning eftersom de kan vara mycket heta och orsaka brännskador.
12. Använd inte maskinen obelastad i onödan.
13. Använd alltid andningsskydd eller skyddsmask anpassat för det material du arbetar med när du slipar.
14. Vissa material kan innehålla giftiga kemikalier. Se till att du inte andas in damm eller får det på huden. Följ anvisningarna i leverantörens materialsäkerhetsblad.
15. Detta verktyg är inte vattenskyddat, använd därför inte vatten på arbetsstyckets yta.
16. Ventilera arbetsplatsen ordentligt när du utför sliparbeten.
17. Används verktyget för slipning av vissa produkter, färger och trä, kan användaren utsättas för damm som innehåller farliga ämnen. Använd lämpligt andningsskydd.
18. Se före användning till att underlagsplattan inte är sprucken eller trasig. Sprickor och skador kan orsaka personskada.
19. Använd inte tillbehör som inte är särskilt tillverkade och rekommenderade av maskinens tillverkare. Även om tillbehöret passar maskinen, innebär det inte säker funktion.

20. **Bär personlig skyddsutrustning. Använd visir, korgglasögon eller skyddsglasögon beroende på arbetet. Om det är tillbörligt, använd hörsel-skydd, handskar och verkstadsförklåde som kan skydda mot avskrap eller små fragment från arbetsstycket.** Ögonskyddet måste kunna stoppa flygande fragment som uppstår vid olika arbeten. Dammasken eller andningsmasken måste kunna filtrera partiklar som uppstår vid arbetet. Att utsättas för ihållande högt och intensivt ljud kan orsaka hörselskador.
21. **Håll personer i omgivningen på säkert avstånd från arbetsområdet. De som befinner sig i arbetsområdet ska bära personlig skyddsutrustning.** Delar av arbetsstycket eller defekta tillbehör kan flyga iväg och orsaka skador utanför arbetsområdet.
22. **Lägg aldrig maskinen åt sidan förrän den har stannat helt.** Det roterande tillbehöret kan gripa tag i underlaget och du kan förlora kontrollen över maskinen.
23. **Kör inte maskinen medan du bär den vid din sida.** Oavsiktlig kontakt med tillbehöret kan trassla in dina kläder och dra tillbehöret in mot kroppen.
24. **Använd inte maskinen i närheten av lättantändliga material.** Gnistor kan antända dessa material.
25. **Använd inte tillbehör som kräver flytande kylvätskor.** Att använda vatten eller andra flytande kylvätskor kan orsaka dödsfall eller elektriska stötar.
26. **Se alltid till att maskinen är avstängd och sladden utdragen eller att batterikassetten är borttagen innan maskinen underhålls.**
27. **Se till att alltid ha ett ordentligt fotfäste. Se till att ingen står under dig när maskinen används på hög höjd.**
5. **Kortslut inte batterikassetten.**
 - (1) Rör inte vid polerna med något strömförande material.
 - (2) Undvik att förvara batterikassetten tillsammans med andra metallobjekt som t.ex. spikar, mynt o.s.v.
 - (3) Skydda batteriet mot vatten och regn. En batterikortslutning kan orsaka ett stort strömflöde, överhettning, brand och maskinhaveri.
6. **Förvara inte maskinen och batterikassetten på platser där temperaturen kan nå eller överstiga 50 °C.**
7. **Bränn inte upp batterikassetten även om den är svårt skadad eller helt utsliten. Batterikassetten kan explodera i öppen eld.**
8. **Var försiktig så att du inte råkar tappa batteriet och utsätt det inte för stötar.**
9. **Använd inte ett skadat batteri.**
10. **De medföljande litiumjonbatterierna är föremål för kraven i gällande lagstiftning för farligt gods.** För kommersiella transporter (av t.ex. tredje parter som speditionsfirmor) måste de särskilda transportkrav som anges på emballaget och etiketter iakttagas. För att förbereda den produkt som ska avsändas krävs att du konsulterar en expert på riskmaterial. Var också uppmärksam på att det inte land kan finnas ytterligare föreskrifter att följa. Tejpa över eller maskera blottade kontakter och packa batteriet på sådant sätt att det inte kan röra sig fritt i förpackningen.
11. **Följ lokala föreskrifter beträffande avfallshandtering av batteriet.**
12. **Använd endast batterierna med de produkter som specificerats av Makita.** Att använda batterierna med ej godkända produkter kan leda till brand, överdriven värme, explosion eller utläckande elektrolyt.

SPARA DESSA ANVISNINGAR.

⚠VARNING: GLÖM INTE att noggrant följa säkerhetsanvisningarna för maskinen även efter det att du har blivit van att använda den. **OVARSAM** hantering eller underlåtenhet att följa säkerhetsanvisningarna i denna bruksanvisning kan leda till allvarliga personskador.

Viktiga säkerhetsanvisningar för batterikassetten

1. Innan batterikassetten används ska alla instruktioner och varningsmärken på (1) batteriladdaren, (2) batteriet och (3) produkten läsas.
2. Montera inte isär batterikassetten.
3. Om drifttiden blivit avsevärt kortare ska användningen avbrytas omedelbart. Det kan uppstå överhettning, brännskador och t o m en explosion.
4. Om du får elektrolyt i ögonen ska de sköljas med rent vatten och läkare uppsöks omedelbart. Det finns risk för att synen förloras.

SPARA DESSA ANVISNINGAR.

⚠FÖRSIKTIGT: Använda endast äkta Makita-batterier. Användning av oäkta Makita-batterier eller batterier som har manipulerats kan leda till person- och utrustningsskador eller till att batteriet fattar eld. Det upphäver också Makitas garanti för verktyget och laddaren.

Tips för att uppnå batteriets maximala livslängd

1. Ladda batterikassetten innan den är helt urladdad. Stanna alltid maskinen och ladda batterikassetten när du märker att maskinen blir svagare.
2. Ladda aldrig en fulladdad batterikasset. Överladdning förkortar batteriets livslängd.
3. Ladda batterikassetten vid en rumstemperatur på 10 °C - 40 °C. Låt en varm batterikasset svalna innan den laddas.
4. Ladda batterikassetten om du inte har använt den på länge (mer än sex månader).

FUNKTIONSBESKRIVNING

⚠ VARNING:

- Se alltid till att maskinen är avstängd och att batterikassetten är borttagen innan du justerar eller funktionskontrollerar maskinen. I annat fall kan det leda till allvarig personskada vid en oavsiktlig start.

Montera eller demontera batterikassetten

► Fig.1: 1. Knapp 2. Röd indikator 3. Batterikasset

⚠ FÖRSIKTIGT:

- Stäng alltid av maskinen innan du monterar eller tar bort batterikassetten.
- Håll stadigt i maskinen och batterikassetten när du installerar eller tar bort batterikassetten. Om du inte håller stadigt i maskinen och batterikassetten kan de halka ur dina händer och skadas samt orsaka personskada.

Ta bort batterikassetten genom att skjuta ner knappen på kassettsens framsida samtidigt som du drar ut batterikassetten.

Sätt i batterikassetten genom att rikta in tungan på batterikassetten mot spåret i höljet och skjut den på plats. Tryck i batterikassetten ordentligt tills den låser fast med ett klick. Om du kan se den röda indikatorn på knappens ovansida är batterikassetten inte låst ordentligt.

⚠ FÖRSIKTIGT:

- Sätt alltid i batterikassetten helt tills den röda indikatorn inte längre syns. I annat fall kan den oväntat falla ur maskinen och skada dig eller någon annan.
- Montera inte batterikassetten med våld. Om kassetten inte lätt glider på plats är den felinsatt.

Batteriskyddssystem (litium-ion-batteri med stjärnmarkering)

► Fig.2: 1. Stjärnmarkering

Litium-ion-batterier med en stjärnmarkering är utrustade med ett skyddssystem. Detta system bryter automatiskt strömmen till maskinen för att förlänga batteriets livslängd.

Maskinen stanna automatiskt under användningen om maskinen och/eller batteriet hamnar i en av följande situationer:

- Överbelastad:
Maskinen används på ett sätt som orsakar att den förbrukar onormalt mycket ström. I detta läge för du skjutknappen på maskinen mot läget "O (OFF)" och stoppar handlingen som orsakar att maskinen blir överbelastad. För sedan skjutknappen mot läget "I (ON)" igen för att starta om.
Om maskinen inte startar är batteriet överhettat. I detta läge ska du låta batteriet svalna innan du för skjutknappen mot läget "I (ON)" igen.

- Batterispänningen faller:
Den kvarvarande batterikapaciteten är för låg och maskinen fungerar inte. I detta läge tar du bort batteriet och laddar det.

Överhettningsskydd

När maskinen överbelastas och maskintemperaturen når en viss nivå, stannar maskinen automatiskt. Om detta sker ska du låta maskinen svalna innan du startar den igen.

Indikerar kvarvarande batterikapacitet

Endast för batterikassetter med indikator

► Fig.3: 1. Indikatorlampor 2. Kontrollknapp

Tryck på kontrollknappen på batterikassetten för att se kvarvarande batterikapacitet. Indikatorlamporna lyser i ett par sekunder.

Indikatorlampor			Kvarvarande kapacitet
■ Upplyst	□ Av	◐ Blinkar	
■ ■ ■ ■			75% till 100%
■ ■ ■ □			50% till 75%
■ ■ □ □			25% till 50%
■ □ □ □			0% till 25%
◐ □ □ □			Ladda batteriet.
■ ■ □ □			Batteriet kan ha skadats.
□ □ ■ ■			

OBS: Beroende på användningsförhållanden och den omgivande temperaturen kan indikationen skilja sig lätt från den faktiska batterikapaciteten.

Avtryckarens funktion

► Fig.4: 1. Skjutknapp

⚠ FÖRSIKTIGT:

- Se alltid till att maskinen är avstängd innan du monterar batterikassetten i maskinen.

För att starta maskinen för du skjutknappen mot läget "I (ON)".

För att stoppa maskinen för du skjutknappen mot läget "O (OFF)".

Justering av den roterande slagfrekvensen

► Fig.5: 1. Nummerskiva

Den roterande slagfrekvensen är justerbar. För att ändra den roterande slagfrekvensen vrider du nummerskivan mellan 1 och 6. Ju högre siffran är desto högre är den roterande slagfrekvensen. Förinställ nummerskivan till den siffran som är lämplig för ditt arbetsstycke.

OBS:

- Nummerskivan kan inte vridas direkt från 1 till 6 eller från 6 till 1. Att forcera nummerskivan kan skada maskinen. När du ändrar nummerskivans riktning ska du alltid vrida nummerskivan genom varje siffra.

Indikatorlampa

► Fig.6: 1. Indikatorlampa

- När den kvarvarande batterikapaciteten blir låg blinkar indikatorlampan.
- När den kvarvarande batterikapaciteten blir ännu lägre, stannar maskinen under användningen och indikatorlampan lyser i cirka tio sekunder.

Ta då bort batterikassetten från maskinen och ladda den.

MONTERING

⚠ FÖRSIKTIGT:

- Se alltid till att maskinen är avstängd och batterikassetten borttagen innan du underhåller maskinen.

Montering eller demontering av verktyg (valfritt tillbehör)

⚠ VARNING:

- Montera inte verktyget upp och ned. I annat fall kan det skada maskinen och orsaka allvarlig personskada.
- Montera tillsatsverktyget i rätt riktning enligt ditt arbete. Verktyget kan monteras vid varje 30-gra-dig vinkel.

⚠ FÖRSIKTIGT:

- Var försiktig när du stänger låsspaken. Låsspaken kan stängas plötsligt och nypa fingrarna.
- Ta bort damm och smörj emellanåt in låsspakens rörliga delar. I annat fall kan damm samlas på låsspakens rörliga delar och förhindra att den rör sig smidigt.
- Starta inte maskinen medan låsspaken är öppen. Maskinen kan skadas.

1. Öppna låsspaken helt. Och ta bort fästbulten.

► Fig.7: 1. Fästbult 2. Låsknapp

2. Placera ett verktyg (extra tillbehör) på verktygsflänsen så att verktygsflänsens utsprång passar i hålen på verktyget.

► Fig.8: 1. Fästbult 2. Hål i verktyget 3. Utskjutande delar på maskinflänsen

3. För in fästbulten så långt att den stoppar. Därefter för du tillbaka låsspaken till dess ursprungliga läge.

► Fig.9

Vid användning av slipverktyg ska verktyget placeras på slipplattan så att den matchar slipplattans riktning. Slipplattan har ett kardborrfästs-system vilket tillåter enkel och snabb fastsättning av sandpapper. Eftersom sandpapper har hål för dammborttagning ska sandpappret monteras så att hålen i sandpappret matchar de i slipplattan.

För att ta bort ett sandpapper lyfter du i en ände och drar av det.

För att ta bort fästbulten, gör du på motsatt sätt som när du förde in den.

► Fig.10: 1. Adapter

När verktyg används med en annan typ av monteringssektion ska en korrekt adapter användas (valfritt tillbehör).

ANVÄNDNING

⚠ VARNING:

- Håll bort din hand och ditt ansikte från verktyget innan du startar maskinen och under användningen.

⚠ FÖRSIKTIGT:

- Tryck inte för mycket på maskinen vilket kan orsaka motorlåsning och att verktyget stannar.

Kapning, sågning och skrapning

⚠ FÖRSIKTIGT:

- Tvinga inte på maskinen (t.ex. mot endera sidan) i verktygets riktning när det inte finns någon skärkant. Det kan skada maskinen.

► Fig.11

Placera verktyget på arbetsstycket.

Flytta sedan maskinen framåt så att verktygets rörelse inte saktar ned.

OBS:

- Att tvinga eller anlägga för mycket tryck på maskinen kan minska dess effektivitet.
- Innan kapningen rekommenderas det att förinställa den roterande slagfrekvensen på 4 – 6.
- Ta bort sågspån genom att dra maskinen tillräckligt. Det ökar arbetseffektiviteten.
- Det runda sågbladet rekommenderas vid sågning av långa raka linjer.

Slipning

⚠ FÖRSIKTIGT:

- Använd inte ett redan använt sandpapper som har använts för att slipa metall med, till att slipa trä.
- Använd inte ett slitet sandpapper eller sandpapper utan sandkorn.

► Fig.12

Placera sandpappret på arbetsstycket.

OBS:

- Vi rekommenderar att prova på ett testmaterial för att bestämma en korrekt roterande slagfrekvens som passar för ditt arbete.
- Använd ett sandpapper med samma kornstorlek tills hela arbetsstycket är slipat. Att byta ut ett sandpapper mot ett med annan kornstorlek kan göra att ytan inte blir slät.

Dammuppsugningstillsats (valfritt tillbehör)

- **Fig.13:** 1. Munstyckets band 2. Dammunstycke 3. Dammtillsats 4. Filtring 5. Stödrondell 6. Fästbult 7. Hål i maskinen 8. Utskjutande delar på munstyckets band

- Montera dammunstycken och dammtillsats.
- Montera munstyckets band på maskinen så att dess utskjutande delar passar in i hålen i maskinen för att fästa det.
- Placera filtringen och slipplattan på dammtillsatsen och fäst dem sedan med verktygets monteringsbult.

► Fig.14

Anslut en dammsugare till maskinen när du vill ha rent under arbetet. Anslut en dammsugar slang till dammuppsugningstillsatsen (valfritt tillbehör).

UNDERHÅLL

⚠ FÖRSIKTIGT:

- Se alltid till att maskinen är avstängd och batterikassetten borttagen innan inspektion eller underhåll utförs.
- Använd inte bensin, thinner, alkohol eller liknande. Missfärgning, deformation eller sprickor kan uppstå.

För att upprätthålla produktens SÄKERHET och TILLFÖRLITLIGHET bör reparationer, kontroll och utbyte av kolborstar samt allt annat underhålls- och justeringsarbete utföras av ett auktoriserat Makita servicecenter och med reservdelar från Makita.

VALFRIA TILLBEHÖR

⚠ FÖRSIKTIGT:

- Dessa tillbehör och tillsatser rekommenderas för användning tillsammans med den Makita-maskin som denna bruksanvisning avser. Om andra tillbehör eller tillsatser används kan det uppstå risk för personskadorna. Använd endast tillbehören eller tillsatserna för de syften de är avsedda för.

Kontakta ditt lokala Makita servicecenter om du behöver ytterligare information om dessa tillbehör.

- Segmentsågblad
- Runt sågblad
- Dyksågblad
- Skrapa (fast)
- Skrapa (flexibel)
- Tandat segmentsågblad
- Vanlig fogskärare
- Borttagare hårdmetall
- Segmentsågblad hårdmetall
- Slipplatta hårdmetall
- Diamant-segmentsågblad
- Slipplatta
- Adapter
- Slippapper (rött / vitt / svart)
- Väv (medium / grov / utan slipkorn)
- Poleringsfil
- Insexnyckel
- Dammuppsugningstillsats
- Makitas originalbatteri och -laddare

OBS:

- Några av tillbehören i listan kan vara inkluderade i maskinpaketet som standardtillbehör. De kan variera mellan olika länder.

TEKNISKE DATA

Modell	DTM41	DTM51
Oscillasjon per minutt	6 000 - 20 000 (min ⁻¹)	
Svingningsvinkel, venstre/høyre	1,6 ° (3,2 ° total)	
Total lengde	326 - 340 mm	
Nettovekt	1,9 - 2,3 kg	2,0 - 2,4 kg
Merkespenning	DC 14,4 V	DC 18 V

- På grunn av vårt kontinuerlige forsknings- og utviklingsprogram kan spesifikasjonene som oppgis i dette dokumentet endres uten varsel.
- Spesifikasjonene kan variere fra land til land.
- Vekten kan variere avhengig av tilbehøret/tilbehørene, inkludert batteriet. Den letteste og tyngste kombinasjonen, i henhold til EPTA-prosedyre 01/2014, vises i tabellen.

Passende batteri og lader

Batteriinnsett	DC 14,4 V modell	BL1415N / BL1430 / BL1430B / BL1440 / BL1450 / BL1460B
	DC 18 V modell	BL1815N / BL1820 / BL1820B / BL1830 / BL1830B / BL1840 / BL1840B / BL1850 / BL1850B / BL1860B
Lader		DC18RC / DC18RD / DC18RE / DC18SD / DC18SE / DC18SF

- Noen av batteriene og laderne som er opplistet ovenfor er kanskje ikke tilgjengelige, avhengig av hvor du bor.

⚠ ADVARSEL: Bruk kun de batteriene og laderne som er opplistet ovenfor. Bruk av andre batterier og ladere kan føre til personskader og/eller brann.

Tiltenkt bruk

Verktøyet er beregnet på saging og kapping av treverk, plast, gips, ikke-jernholdige metaller og festeelementer (som f.eks. ikke-herdede spiker og stifter). Det er også beregnet på bearbeiding av myke veggfliser, i tillegg til tørrpussing og skrapping av mindre overflater. Det er spesielt beregnet for arbeid ved tette kanter og fluktkutting.

Støy

Typisk A-vektet lydtrykknivå er bestemt i henhold til EN62841:

Arbeidsmodus: Pussing

Modell DTM41

Lydtrykknivå (L_{pA}): 76 dB (A)

Usikkerhet (K): 3 dB (A)

Støynivået under arbeid kan overskride 80 dB (A).

Modell DTM51

Lydtrykknivå (L_{pA}): 77 dB (A)

Usikkerhet (K): 3 dB (A)

Støynivået under arbeid kan overskride 80 dB (A).

Arbeidsmodus: Kutting med sagblad til dyspussing

Modell DTM41

Lydtrykknivå (L_{pA}): 80 dB (A)

Lydeffektnivå (L_{WA}): 91 dB (A)

Usikkerhet (K): 3 dB (A)

Modell DTM51

Lydtrykknivå (L_{pA}): 81 dB (A)

Lydeffektnivå (L_{WA}): 92 dB (A)

Usikkerhet (K): 3 dB (A)

Arbeidsmodus: Kutting med segmentsagblad

Modell DTM41

Lydtrykknivå (L_{pA}): 77 dB (A)

Usikkerhet (K): 3 dB (A)

Støynivået under arbeid kan overskride 80 dB (A).

Modell DTM51

Lydtrykknivå (L_{pA}): 76 dB (A)

Usikkerhet (K): 3 dB (A)

Støynivået under arbeid kan overskride 80 dB (A).

Arbeidsmodus: Skrapping

Modell DTM41

Lydtrykknivå (L_{pA}): 78 dB (A)

Usikkerhet (K): 3 dB (A)

Støynivået under arbeid kan overskride 80 dB (A).

Modell DTM51

Lydtrykknivå (L_{pA}): 80 dB (A)

Lydeffektnivå (L_{WA}): 91 dB (A)

Usikkerhet (K): 3 dB (A)

Bruk hørselvern

Vibrasjon

Den totale vibrasjonsverdien (triaksial vektorsum) bestemt i henhold til EN62841:

Modell DTM41

Arbeidsmodus: pussing

Genererte vibrasjoner (a_h): 3,0 m/s²

Usikkerhet (K): 1,5 m/s²

Modell DTM51

Arbeidsmodus: pussing

Genererte vibrasjoner (a_h): 3,0 m/s²

Usikkerhet (K): 1,5 m/s²

Modell DTM41

Arbeidsmodus: kutting med blad for dyspasing

Genererte vibrasjoner (a_h): 7,0 m/s²

Usikkerhet (K): 1,5 m/s²

Modell DTM51

Arbeidsmodus: kutting med blad for dyspasing

Genererte vibrasjoner (a_h): 7,0 m/s²

Usikkerhet (K): 1,5 m/s²

Modell DTM41

Arbeidsmodus: kutting med tannsaagblad

Genererte vibrasjoner (a_h): 4,5 m/s²

Usikkerhet (K): 1,5 m/s²

Modell DTM51

Arbeidsmodus: kutting med tannsaagblad

Genererte vibrasjoner (a_h): 4,5 m/s²

Usikkerhet (K): 1,5 m/s²

Modell DTM41

Arbeidsmodus: skraping

Genererte vibrasjoner (a_h): 5,0 m/s²

Usikkerhet (K): 1,5 m/s²

Modell DTM51

Arbeidsmodus: skraping

Genererte vibrasjoner (a_h): 5,0 m/s²

Usikkerhet (K): 1,5 m/s²

MERK: Den angitte verdien for de genererte vibrasjonene er blitt målt i samsvar med standardtestmetoden og kan brukes til å sammenlikne et verktøy med et annet.

MERK: Den angitte verdien for de genererte vibrasjonene kan også brukes til en foreløpig vurdering av eksponeringen.

⚠ ADVARSEL: De genererte vibrasjonene ved faktisk bruk av elektroverktøyet kan avvike fra den oppgitte vibrasjonsverdien, avhengig av hvordan verktøyet brukes.

⚠ ADVARSEL: Vær påpasselig med å finne sikkerhetstiltak som beskytter operatøren, basert på en oppfatning av risiko under faktiske bruksforhold (på bakgrunn av alle sider ved brukssyklusen, som når verktøyet slås av og når det går på tomgang, i tillegg til oppstarten).

EFs samsvarserklæring

Gjelder kun for land i Europa

EFs samsvarserklæring er lagt til som vedlegg A i denne bruksanvisningen.

Generelle advarsler angående sikkerhet for elektroverktøy

⚠ ADVARSEL: Les alle sikkerhetsadvarsler, instruksjoner, illustrasjoner og spesifikasjoner som følger med dette elektroverktøyet. Hvis ikke alle instruksjonene nedenfor følges, kan det forekomme elektrisk støt, brann og/eller alvorlig skade.

Oppbevar alle advarsler og instruksjoner for senere bruk.

Uttrykket «elektrisk verktøy» i advarslene refererer både til elektriske verktøy (med ledning) tilkoblet strømmettet, og batteridrevne verktøy (uten ledning).

SIKKERHETSANVISNINGER FOR FLERFUNKSJONSVERKTØY UTEN LEDNING

1. Denne maskinen er beregnet på saging, kutting, sliping og pussing. Les alle sikkerhetsadvarsler, instruksjoner, illustrasjoner og spesifikasjoner som følger med dette elektriske verktøyet. Unnløtelse av å følge alle instruksjoner i oversikten nedenfor, kan føre til elektrisk støt, brann eller alvorlige skader.
2. Hold maskinen i det isolerte håndtaket når skjæreverktøyet kan komme i kontakt med skjulte ledninger under arbeidet. Hvis skjæreverktøyet får kontakt med strømførende ledninger, vil uisolerte metalldele av maskinen bli strømførende og kunne gi brukeren elektrisk støt.
3. Fest og støtt arbeidsstykket med klemmer eller på en annen praktisk måte, på et stabilt underlag. Hvis du holder arbeidsstykket med hånden eller mot kroppen, vil det være ustabil og du kan komme til å miste kontrollen.
4. Du må alltid bruke vernebriller eller ansiktsvern. Vanlige briller eller solbriller er IKKE vernebriller.
5. Unngå å skjære i spiker. Se etter om det er spiker i arbeidsstykket, og fjern dem før du begynner arbeidet.
6. Hold maskinen godt fast.
7. Forviss deg om at bruksverktøyet ikke er i kontakt med arbeidsstykket før startbryteren er slått på.
8. Hold hendene unna bevegelige deler.
9. Ikke gå fra verktøyet mens det er i gang. Verktøyet må bare brukes mens operatøren holder det i hendene.
10. Før du fjerner bladet fra arbeidsstykket, må du alltid slå av sagen og vente til bladet har stoppet helt.
11. Ikke berør bruksverktøyet eller arbeidsstykket umiddelbart etter bruk. Disse vil da være ekstremt varme, og du kan få brannskader.
12. Ikke bruk verktøyet uten belastning hvis det ikke er nødvendig.
13. Bruk alltid riktig støvmaske/pustemaske for det materialet og det bruksområdet du arbeider med.
14. Enkelte materialer inneholder kjemikalier som kan være giftige. Treff tiltak for å hindre hudkontakt og innånding av støv. Følg leverandørens sikkerhetsanvisninger.
15. Denne maskinen er ikke vanntett, så ikke bruk vann på arbeidsstykket.
16. Ventilér arbeidsområdet skikkelig når du pusser noe.
17. Ved bruk av denne maskinen til å pusse non produkter, maling og tre, kan brukeren bli utsatt for støv fra farlige stoffer. Bruk passende pustebeskyttelse.
18. Før du begynner å bruke rondellen, må du undersøke den for sprekker eller andre skader. Sprekker eller skader kan resultere i helseskader.

19. **Ikke bruk tilbehør som ikke er spesielt beregnet og anbefalt av verktøyproduzenten.** Selv om tilbehøret kan monteres på elektroverktøyet, er ikke det noen garanti for sikker bruk.
20. **Bruk personlig verneutstyr.** Avhengig av bruksområdet, må du bruke visir eller vernebriller. Der det er aktuelt, må du bruke hørselvern, hansker og forkle som kan stoppe små slipefragmenter eller deler fra arbeidsstykket. Øyevernet må kunne stoppe flygende biter som oppstår under ulike operasjoner. Støvmasken eller åndedrettsvernet må kunne filtrere ut partikler som oppstår under arbeidet. Lang tids eksponering for høy lyd kan gi hørselskader.
21. **Hold tilskuere på trygg avstand fra arbeidsområdet.** Alle som beveger seg inn i arbeidsområdet må bruke personvernustyr. Fragmenter fra arbeidsstykket eller fra skadet tilbehør kan slynges ut og forårsake skade utenfor det nære arbeidsområdet.
22. **Ikke legg ned elektroverktøyet før tilbehøret har stoppet helt.** Det roterende tilbehøret kan få feste i overflaten og trekke elektroverktøyet ut av kontroll.
23. **Ikke kjør verktøyet mens du bærer det med deg.** Utilsiktet kontakt med tilbehøret kan gjøre at det hekter seg i klærne dine og trekkes inn mot kroppen.
24. **Ikke bruk elektroverktøyet nær brennbare materialer.** Gnister kan antenne slike materialer.
25. **Ikke bruk tilbehør som krever kjølevæske.** Bruk av vann eller andre kjølevæsker kan føre til elektrisk støt.
26. **Forsikre deg alltid om at maskinen er slått av og koblet fra eller at batteriet er tatt ut før du utfører noe arbeid på maskinen.**
27. **Forviss deg alltid om at du har godt fotfeste.** Forviss deg om at ingen står under deg når du jobber høyt over bakken.
4. **Hvis du får elektrolytt i øynene, må du skylle dem med store mengder rennende vann og oppsøke lege med én gang.** Denne typen uhell kan føre til varig blindhet.
5. **Ikke kortslutt batteriet:**
 - (1) De kan være ekstremt varme og du kan brenne deg.
 - (2) Ikke lagre batteriet i samme beholder som andre metallgjenstander, som for eksempel spiker, mynter osv.
 - (3) Ikke la batteriet komme i kontakt med vann eller regn.

En kortslutning av batteriet kan føre til et kraftig strømstøt, overoppheting, mulige forbrenninger og til og med til at batteriet går i stykker.
6. **Ikke lagre maskinen og batteriet på steder hvor temperaturen kan komme opp i eller overskride 50 °C.**
7. **Ikke sett fyr på batteriet, ikke engang om det er sterkt skadet eller helt utslitt.** Batteriet kan eksplodere hvis det begynner å brenne.
8. **Vær forsiktig så du ikke mister batteriet eller utsetter det for slag.**
9. **Ikke bruk batterier som er skadet.**
10. **Lithium-ion-batteriene som medfølger er gjenstand for krav om spesialavfall.** For kommersiell transport, f.eks. av tredjeparter eller speditører, må spesielle krav om pakking og merking følges. For varen blir sendt, må du forhøre deg med en ekspert på farlig materiale. Ta også hensyn til muligheten for mer detaljerte nasjonale bestemmelser. Bruk teip eller maskeringsteip for å skjule åpne kontakter og pakk inn batteriet på en slik måte at den ikke kan bevege seg rundt i emballasjen.
11. **Følg lokale bestemmelser for avhending av batterier.**
12. **Bruk batteriene kun med produkter spesifisert av Makita.** Montere batteriene i produkter som ikke er konforme kan føre til brann, overheting eller elektrolyttlekkasje.

TA VARE PÅ DISSE INSTRUKSENE.

⚠ADVARSEL: Selv om du har brukt produktet mye og føler deg fortrolig med det, er det likevel svært viktig at du følger nøye de retningslinjene for sikkerhet som er utarbeidet for dette produktet. MISBRUK av verktøyet eller mislighold av sikkerhetsreglene i denne brukerhåndboken kan resultere i alvorlige helseskader.

Viktige sikkerhetsanvisninger for batteriinnsats

1. Før du begynner å bruke batteriet, må du lese alle anvisninger og forsiktighetsregler på (1) batteriladeren, (2) batteriet og (3) det produktet batteriet skal brukes i.
2. Ikke ta fra hverandre batteriet.
3. Hvis driftstiden er blitt vesentlig kortere, må du omgående slutte å bruke maskinen. Hvis ikke kan resultatet bli overoppheting, mulige forbrenninger eller til og med en eksplosjon.

TA VARE PÅ DISSE INSTRUKSENE.

⚠FORSIKTIG: Bruk kun originale Makita-batterier. Bruk av batterier som har endret seg, eller som ikke er originale Makita-batterier, kan føre til at batteriet sprekker og forårsaker brann, personskader og andre skader. Det vil også ugyldiggjøre garantien for Makita-verktøyet og -laderen.

Tips for å opprettholde maksimal batterilevetid

1. Lad batteriinnsatsen før den er helt utladet. Stopp alltid driften av verktøyet og lad batteriinnsatsen når du merker at effekten reduseres.
2. Lad aldri en batteriinnsats som er fulladet. Overopplading forkorter batteriets levetid.
3. Lad batteriet i romtemperatur ved 10 °C - 40 °C. Et varmt batteri må kjøles ned før lading.
4. Lad batteriet hvis det ikke har vært brukt på en lang stund (over seks måneder).

FUNKSJONSBEKRIVELSE

⚠ ADVARSEL:

- Pass alltid på at maskinen er slått av og batteriet er tatt ut før du justerer eller sjekker hvordan verktøyet fungerer. Hvis maskinen ikke er slått av og batteriet er tatt ut, kan den utilsiktet bli startet opp og forårsake alvorlige personskader.

Sette inn eller ta ut batteri

► Fig.1: 1. Knapp 2. Rød indikator 3. Batteri

⚠ FORSIKTIG:

- Slå alltid av verktøyet før du setter inn eller fjerner batteriet.
- Hold godt rundt maskinen og batteriet når du setter inn eller tar ut batteriet. Hvis du mister ned maskinen eller batteriet, kan dette forårsake personskader eller skader på maskinen/batteriet.

For å ta ut batteriet må du skyve på knappen foran på batteriet og trekke det ut. Når du skal sette inn batteriet, må du plassere tungen på batteriet på linje med sporet i huset og skyve batteriet på plass. Skyv det helt inn til det går i inngrep med et lite klikk. Hvis du kan se den røde anviseren på oversiden av knappen, er det ikke gått skikkelig i lås.

⚠ FORSIKTIG:

- Batteriet må alltid settes helt inn, så langt at den røde anviseren ikke lenger er synlig. Hvis du ikke gjør dette, kan batteriet falle ut av maskinen og skade deg eller andre som oppholder seg i nærheten.
- Ikke bruk makt når du setter i batteriet. Hvis batteriet ikke glir lett inn, er det fordi det ikke settes inn på riktig måte.

Beskyttelsessystem for batteri (litiumionbatteri med stjernemerking)

► Fig.2: 1. Stjernemerking

Litiumionbatterier med stjernemerking er utstyrt med et beskyttelsessystem. Dette systemet slår automatisk av strømmen til verktøyet for å forlenge batteriets levetid. Verktøyet stopper automatisk ved drift hvis det og/eller batteriet utsettes for en av følgende tilstander:

- Overbelastning:
Verktøyet brukes på en måte som gjør at det trekker uvanlig mye strøm. I dette tilfellet, skyv glidebryteren på verktøyet mot posisjonen "O (av)", og stopp arbeidet som forårsaket at verktøyet ble overbelastet. Skyv deretter glidebryteren mot posisjonen "I (på)" igjen for å starte verktøyet på nytt.
Hvis verktøyet ikke starter, er batteriet overbelastet. I dette tilfellet, la batteriet kjøle seg ned før du skyver glidebryteren mot posisjonen "I (på)" igjen.

- Lav batterispennning:
Gjenværende batterikapasitet er for lav, og verktøyet vil ikke fungere. I dette tilfellet, fjern og lad batteriet opp igjen.

Overopphetingsvern

Hvis verktøyet overbelastes og temperaturen til verktøyet når et visst nivå, stopper verktøyet automatisk. I dette tilfellet må du la verktøyet kjøle seg ned før du slår på verktøyet igjen.

Indikere gjenværende batterikapasitet

Kun for batterier med indikatoren

► Fig.3: 1. Indikatorlamper 2. Kontrollknapp

Trykk på sjekk-knappen på batteriet for vise gjenværende batterikapasitet. Indikatorlampene lyser i et par sekunder.

Indikatorlamper			Gjenværende batterinivå
Tent	Av	Blinker	
			75 % til 100 %
			50 % til 75 %
			25 % til 50 %
			0 % til 25 %
			Lad batteriet.
			Batteriet kan ha en feil.

MERK: Det angitte nivået kan avvike noe fra den faktiske kapasiteten alt etter bruksforholdene og den omgivende temperaturen.

Bryterfunksjon

► Fig.4: 1. Skyvebryter

⚠ FORSIKTIG:

- Før du setter batteriet inn i verktøyet, må du alltid forvise deg om at verktøyet er slått av.

Start verktøyet ved å skyve glidebryteren mot posisjonen "I (på)".
Stopp verktøyet ved å skyve glidebryteren mot posisjonen "O (av)".

Justere den roterende slagastigheten.

► Fig.5: 1. Innstillingshjul

Den roterende slagastigheten kan justeres. Den roterende slagastigheten endres ved å dreie innstillingshjulet til mellom 1 og 6. Jo høyere tallet er, dess høyere er slagastigheten. Forhåndsjuster innstillingshjulet til det tallet som er passende for arbeidsstykket som brukes.

MERK:

- Innstillingshjulet kan ikke dreies direkte fra 1 til 6, eller fra 6 til 1. Å dreie innstillingshjulet med makt kan skade verktøyet. Når du endrer retningen på innstillingshjulet, må du alltid dreie innstillingshjulet via alle tallene mellom.

Indikatorlampe

► Fig.6: 1. Indikatorlampe

- Når gjenværende batterikapasitet blir lav, lyser indikasjonslampen.
- Når gjenværende batterikapasitet blir mye lavere, stopper verktøyet helt og indikasjonslampen lyser i ca. 10 sekunder.

Ta batteriet ut av verktøyet og lad det opp.

MONTERING

▲FORSIKTIG:

- Forviss deg alltid om at maskinen er slått av og batteriet tatt ut før du utfører noe arbeid på maskinen.

Montere eller fjerne bruksverktøy (valgfritt tilbehør)

▲ADVARSEL:

- Ikke monter bruksverktøyet opp ned. Hvis bruksverktøyet monteres opp ned, kan det skade verktøyet og kan føre til alvorlige personskader.
- Monter verktøytilbehøret i korrekt retning i forhold til arbeidet du skal utføre. Bruksverktøyet kan monteres i en vinkel på hver 30. grad.

▲FORSIKTIG:

- Vær forsiktig når du lukker låsehåndtaket. Låsehåndtaket kan plutselig åpnes og klemme fingrene dine.
- Børst vekk støv og smør jevnlig de bevegelige delene i låsehåndtaket. Ellers kan støvet samle seg i de bevegelige delene i låsehåndtaket og hindre en jevn bevegelse.
- Ikke start verktøyet når håndtaket er åpent. Dette kan skade verktøyet.

1. Åpne låsehåndtaket. Fjern bolten til håndtaket.

► Fig.7: 1. Bolt til håndtaket 2. Låsehendel

2. Plasser bruksverktøyet (valgfritt tilbehør) på flensen av verktøyet slik at utstikkerne på flensen på verktøyet passer i hullene i bruksverktøyet.

► Fig.8: 1. Bolt til håndtaket 2. Huller i bruksverktøyet 3. Fremspring på flensen på verktøyet

3. Sett inn holderbolten til den stopper. Vri deretter låsespaken til dens opprinnelige posisjon.

► Fig.9

Når du bruker bruksverktøyet for pussing, fester du bruksverktøyet på pusseputen i samme retning som retningen på pusseputen. Pusseputen har et krok- og hektesystem for festing. Med dette kan pussepapiret festes raskt og enkelt. Siden pussepapir har huller for støvfjerning, må pussepapiret festes slik at hullene i pussepapiret ligger over hullene i pusseputen. Fjern pussepapiret ved å løfte den ene enden og trekk det av.

Følg monteringsprosedyrene i motsatt rekkefølge for å fjerne bolten til håndtaket.

► Fig.10: 1. Adapter

Bruk korrekt adapter når det benyttes bruksverktøy med en annen type installasjonsseksjon (valgfritt tilbehør).

BRUK

▲ADVARSEL:

- Hold hender og ansikt borte fra bruksverktøyet ved start og bruk av verktøyet.

▲FORSIKTIG:

- Ikke bruk overdreven kraft på verktøyet, da dette kan forårsake en motorlås som stopper verktøyet.

Kutting, saging og skraping

▲FORSIKTIG:

- Ikke bruk makt til å flytte verktøyet i bruksretningen (f.eks. til sidene) uten egg. Dette kan skade verktøyet.

► Fig.11

Monter bruksverktøyet på arbeidsstykket. Flytt verktøyet fremover slik at bruksverktøyet's bevegelse ikke går saktere.

MERK:

- Makt eller for mye trykk på verktøyet kan redusere effektiviteten.
- Det anbefales å forhåndsinnstille den roterende slagastigheten 4 - 6 før start av kutting.
- Fjern sagflis ved å tørke verktøyet godt. Dette øker effektiviteten på arbeidet.
- Det anbefales å bruke det runde sagbladet for å sage etter en lang, rett linje.

Pussing

⚠FORSIKTIG:

- Ikke puss tre med et pussepapir som allerede er brukt til å pusse metall.
- Ikke bruk et slitt pussepapir, eller pussepapir uten mønster.

► Fig.12

Legge sandpapir på arbeidsstykket.

MERK:

- Det anbefales å bruke et stykke testmateriale for å bestemme den roterende slag hastigheten som passer til arbeidet du skal utføre.
- Bruk et pussepapir med samme mønster helt til du er ferdig med hele arbeidsstykket. Hvis du bytter et pussepapir med et pussepapir med et annet mønster, er det ikke sikkert at overflaten blir pen.

Feste for støvavsug (valgfritt tilbehør)

- **Fig.13:** 1. Dysebånd 2. Støvmunnstykke
3. Støvtilbehør 4. Filtring 5. Pute
6. Bolt til håndtaket 7. Huller i verktøyet
8. Fremspring på dysebåndet

- Monter støvdyser og støvtilbehør.
- Monter dysebåndet på verktøyet slik at fremspringene passer i hullene på verktøyet for å feste det.
- Sett filtringen og pusseputen på støvtilbehøret, og fest dem deretter med monteringsbolten på bruksverktøyet.

► Fig.14

Hvis du vil arbeide så rent som mulig, kan du koble en støvsuger til verktøyet ditt. Koble slangen på støvsugeren til festet for støvavsug (valgfritt tilbehør).

VEDLIKEHOLD

⚠FORSIKTIG:

- Forviss deg alltid om at maskinen er slått av og batteriet tatt ut før du foretar inspeksjon eller vedlikehold.
- Aldri bruk gasolin, bensin, tynner alkohol eller lignende. Det kan føre til misfarging, deformering eller sprekkdannelse.

For å opprettholde produktets SIKKERHET og PÅLITELIGHET, må reparasjoner, inspeksjon og skifte av kullbørstene, vedlikehold og justeringer utføres av Makitas autoriserte servicesentre, og det må alltid brukes reservedeler fra Makita.

VALGFRITT TILBEHØR

⚠FORSIKTIG:

- Det anbefales at du bruker dette tilbehøret eller verktøyet sammen med den Makita-maskinen som er spesifisert i denne håndboken. Bruk av annet tilbehør eller verktøy kan forårsake helseskader. Tilbehør og verktøy må kun brukes til det formålet det er beregnet på.

Ta kontakt med ditt lokale Makita-servicesenter hvis du trenger mer informasjon om dette tilbehøret.

- Tannsgablad
- Rundt sagblad
- Blad for dypsaging
- Skraper (stiv)
- Skraper (myk)
- Takket tannblad
- Generell fugeskjærer
- HM-fjerner
- HM-tannsgablad
- HM-pusseplate
- Tannsgablad av diamant
- Pussepute
- Adapter
- Delta slipepapir (rødt / hvitt / svart)
- Delta fleece (middels / grovt / uten mønster)
- Delta poleringsfilt
- Sekskantnøkkel
- Tilbehør til støvavsug
- Makita originalbatteri og lader

MERK:

- Enkelte elementer i listen kan være inkludert som standardtilbehør i verktøypakken. Elementene kan variere fra land til land.

TEKNISET TIEDOT

Malli	DTM41	DTM51
Heilahduksia minuutissa	6 000 - 20 000 (min ⁻¹)	
Heilahduskulma, oikea/vasen	1,6 ° (yhteensä 3,2 °)	
Kokonaispituus	326 - 340 mm	
Nettopaino	1,9 - 2,3 kg	2,0 - 2,4 kg
Nimellisjännite	DC 14,4 V	DC 18 V

- Jatkuvasta tutkimus- ja kehitystyöstämme johtuen esitetyt tekniset tiedot saattavat muuttua ilman erillistä ilmoitusta.
- Tekniset tiedot voivat vaihdella maittain.
- Paino voi olla erilainen lisävarusteista sekä akusta johtuen. EPTA-menetellytavan 01/2014 mukaisesti, taulukossa on kuvattu kevyin ja painavin laiteyhdistelmä.

Käytettävä akkupaketti ja laturi

Akkupaketti	DC 14,4 V malli	BL1415N / BL1430 / BL1430B / BL1440 / BL1450 / BL1460B
	DC 18 V malli	BL1815N / BL1820 / BL1820B / BL1830 / BL1830B / BL1840 / BL1840B / BL1850 / BL1850B / BL1860B
Laturi		DC18RC / DC18RD / DC18RE / DC18SD / DC18SE / DC18SF

- Tiettyjä yläpuolella kuvattuja akkuja ja latureita ei ehkä ole saatavana asuinalueestasi johtuen.

VAROITUS: Käytä vain edellä eriteltyjä akkupaketteja ja latureita. Muiden akkupakettien ja laturien käyttäminen voi aiheuttaa loukkaantumisen ja/tai tulipalon.

Käyttötarkoitus

Tämä työkalu on tarkoitettu puun, muovin, ei-rautapitoisten metallien ja kiinnittimien (esim. karkaisemattomien naulojen ja niittien) sahaamiseen ja leikkaamiseen. Sillä voi työstää myös pehmeitä seinälaattoja sekä kaapia ja kuivahioa pieniä pintoja. Se sopi erityisen hyvin työskentelyyn reunojen lähellä ja tasoleikkauksiin.

Melutaso

Tyypillinen A-painotettu melutaso määräytyy EN62841-standardin mukaan:

Työmenetelmä: Hionta

Malli DTM41

Äänenpainetaso (L_{pA}): 76 dB (A)

Virhemarginaali (K): 3 dB (A)

Työskentelyn aikana melutaso voi ylittää 80 dB (A).

Malli DTM51

Äänenpainetaso (L_{pA}): 77 dB (A)

Virhemarginaali (K): 3 dB (A)

Työskentelyn aikana melutaso voi ylittää 80 dB (A).

Työmenetelmä: sahaus upotussahanterällä

Malli DTM41

Äänenpainetaso (L_{pA}): 80 dB (A)

Äänitehotaso (L_{WA}): 91 dB (A)

Virhemarginaali (K): 3 dB (A)

Malli DTM51

Äänenpainetaso (L_{pA}): 81 dB (A)

Äänitehotaso (L_{WA}): 92 dB (A)

Virhemarginaali (K): 3 dB (A)

Työmenetelmä: sahaus segmenttisahanterällä

Malli DTM41

Äänenpainetaso (L_{pA}): 77 dB (A)

Virhemarginaali (K): 3 dB (A)

Työskentelyn aikana melutaso voi ylittää 80 dB (A).

Malli DTM51

Äänenpainetaso (L_{pA}): 76 dB (A)

Virhemarginaali (K): 3 dB (A)

Työskentelyn aikana melutaso voi ylittää 80 dB (A).

Työmenetelmä: kaapiminen

Malli DTM41

Äänenpainetaso (L_{pA}): 78 dB (A)

Virhemarginaali (K): 3 dB (A)

Työskentelyn aikana melutaso voi ylittää 80 dB (A).

Malli DTM51

Äänenpainetaso (L_{pA}): 80 dB (A)

Äänitehotaso (L_{WA}): 91 dB (A)

Virhemarginaali (K): 3 dB (A)

Käytä kuulosuojaimia

Tärinä

Värähtelyn kokonaisarvo (kolmiakselivektorin summa) on määritelty EN62841 mukaan:

Malli DTM41

Työmenetelmä: hionta

Tärinäpäästö (a_{h1}): 3,0 m/s²

Virhemarginaali (K): 1,5 m/s²

Malli DTM51

Työmenetelmä: hionta

Tärinäpäästö (a_{h1}): 3,0 m/s²

Virhemarginaali (K): 1,5 m/s²

Malli DTM41

Työmenetelmä: sahaus upotussahanterällä

Tärinäpäästö (a_n): 7,0 m/s²

Virhemarginaali (K): 1,5 m/s²

Malli DTM51

Työmenetelmä: sahaus upotussahanterällä

Tärinäpäästö (a_n): 7,0 m/s²

Virhemarginaali (K): 1,5 m/s²

Malli DTM41

Työmenetelmä: sahaus segmenttisahanterällä

Tärinäpäästö (a_n): 4,5 m/s²

Virhemarginaali (K): 1,5 m/s²

Malli DTM51

Työmenetelmä: sahaus segmenttisahanterällä

Tärinäpäästö (a_n): 4,5 m/s²

Virhemarginaali (K): 1,5 m/s²

Malli DTM41

Työmenetelmä: kaapiminen

Tärinäpäästö (a_n): 5,0 m/s²

Virhemarginaali (K): 1,5 m/s²

Malli DTM51

Työmenetelmä: kaapiminen

Tärinäpäästö (a_n): 5,5 m/s²

Virhemarginaali (K): 1,5 m/s²

HUOMAA: Ilmoitettu tärinäpäästöarvo on mitattu standarditestaustestimen mukaisesti, ja sen avulla voidaan vertailla työkaluja keskenään.

HUOMAA: Ilmoitettua tärinäpäästöarvoa voidaan käyttää myös altistumisen alustavaan arviointiin.

VAROITUS: Työkalun käytön aikana mitattu todellinen tärinäpäästöarvo voi poiketa ilmoitetusta tärinäpäästöarvosta työkalun käyttötavan mukaan.

VAROITUS: Selvitä käyttäjän suojaamiseksi tarvittavat varoimet todellisissa käyttöolosuhteissa tapahtuvan arvioidun altistumisen mukaisesti (ottaen huomioon käyttöjako kokonaisuudessaan, myös jaksot, joiden aikana työkalu on sammutettuna tai käy tyhjäkäynnillä).

EY-vaatimustenmukaisuusvakuutus

Koskee vain Euroopan maita

EY-vaatimustenmukaisuusvakuutus on liitetty tähän käyttöoppaaseen.

Sähkötyökalujen käyttöä koskevat yleiset varoitukset

VAROITUS: Tutustu kaikkiin tämän sähkötyökalun mukana toimitettuihin varoituksiin, ohjeisiin, kuviin ja teknisiin tietoihin. Seuraavassa lueteltujen ohjeiden noudattamatta jättäminen saattaa johtaa sähköiskuun, tulipaloon tai vakavaan vammautumiseen.

Säilytä varoitukset ja ohjeet tulevaa käyttöä varten.

Varoituksissa käytettävällä termillä "sähkötyökalu" tarkoitetaan joko verkkovirtaa käyttävää (johdollista) työkalua tai akkukäyttöistä (johdotonta) työkalua.

AKKUKÄYTTÖISTÄ MONITOIMITYÖKALUA KOSKEVAT TURVALLISUUSVAROITUKSET

1. Tämä sähkötyökalu on tarkoitettu vain sahaamiseen, leikkaamiseen ja hiomiseen. Tutustu kaikkiin työkalun mukana toimitettuihin varoituksiin, ohjeisiin, kuviin ja teknisiin tietoihin. Jos ohjeiden noudattaminen laiminlyödään, seurauksena voi olla sähköisku, tulipalo ja/tai vakava vammautuminen.
2. Kun suoritat toimenpidettä, jossa leikkaustyökalu voi joutua kosketukseen piilossa olevien johtojen kanssa, pidä kiinni työkalusta sen eristetyn tarttumispinnan kohdalta. Jos leikkaustyökalu joutuu kosketukseen jännitteisen johdon kanssa, jännite voi siirtyä työkalun sähköä johtaviin metalliosiin ja aiheuttaa käyttäjälle sähköiskun.
3. Käytä puristimia tai muuta käytännöllistä tapaa kiinnittää ja tukea työ tukevaan jalustaan. Työn pitäminen kädessä tai varalta jättää sen epävakaaaksi ja voi johtaa hallinnan menetykseen.
4. Käytä aina suojalaseja. Tavalliset silmä- tai aurinkolasit EIVÄT ole suojalaseja.
5. Vältä katkaisemasta nauloja. Tarkasta, onko työ-kappaleessa nauloja, ja poista ne ennen käyttöä.
6. Pidä työkalua tiukasti.
7. Ennen kuin käynnistät laitteen, varmista, ettei työkalukärki kosketa työkalpaletta.
8. Pidä kädet poissa liikkuvien osien luota.
9. Älä jätä konetta käymään itseksensä. Käytä laitetta vain silloin, kun pidät sitä kädessä.
10. Sammuta laite ja odota, että terä pysähtyy täysin, aina ennen kuin irrotat terän työkalpaleesta.
11. Älä kosketa työkalukärkeä tai työkalpaletta välittömästi käytön jälkeen, sillä ne voivat olla erittäin kuumia ja saattavat polttaa ihoa.
12. Älä käytä työkalua tarpeettomasti ilman kuormaa.
13. Käytä aina työstettävän materiaalin ja käyttö-tarkoituksen mukaan valittua polynaamaria/hengityssuojainta.
14. Jotkin materiaalit sisältävät kemikaaleja, jotka voivat olla myrkyllisiä. Huolehdi siitä, että pölyn sisäänhengittäminen ja ihokosketus estetään. Noudata materiaalin toimittajan turvaohjeita.
15. Tätä työkalua ei ole suunniteltu vesitiiviiksi. Älä siis käytä vettä työkalpaleen pinnalla.
16. Tuuleta työskentelyalue hyvin, kun suoritat hiikkaperierihontaa.
17. Tämän koneen käyttö hiomaan tuotteita, maa-lia ja puuta voi altistaa käyttäjän vahingollisia aineita sisältävälle pölylle. Käytä asianmu-kaista hengityssuojainta.
18. Varmista ennen käyttöä, ettei suojaimen pehmusteessa ole halkeamia tai murtumia. Halkeamat tai murtumat voivat aiheuttaa henkilövahinkoja.
19. Älä käytä sellaisia lisävarusteita, jotka eivät ole nimenomaan valmistajan suunnittelemat tai suosittelemat. Vain, koska lisävaruste voi-daan liittää tehokoneeseen, se ei varmista turval-ista toimintaa.

20. Käytä suojavarusteita. Käytä käyttötarkoituksen mukaisesti kasvosuojusta, suojalaseja tai sivusuojilla varustettuja laseja. Käytä tarvittaessa kuulosuojaimia, käsineitä ja pieniltä sirpaleilta suojaavaa työesiliinaa. Suojalasien täytyy suojata kaikenlaisista töistä aiheutuville lentäviltä pirstaleilta. Hengityssuojaimen täytyy suodattaa työskentelyn tuottamat hiukkaset. Pitkäaikainen altistuminen voimakkaalle melulle voi vahingoittaa kuuloa.
 21. Pidä sivustakatojat turvallisen välimatkan päässä työalueelta. Kaikkien työalueelle astuvien henkilöiden on käytettävä henkilökohtaista suojavarustetta. Työkappaleen tai rikkoutuneen lisävarusteen pirstaleet voivat aiheuttaa vammautumisen välittömästi toiminta-alueen ulkopuolella.
 22. Älä koskaan laita tehokonetta alas, ennen kuin lisävaruste on täysin pysähtynyt. Pyörivä lisävaruste voi tarrata pintaan ja vetää tehokoneen ohjaus käsistäsi.
 23. Älä anna laitteen olla käynnissä, kun kannat sitä mukanas. Pyörivä terä voi tarttua vaatteisiisi ja vetää terän kohti kehoasi.
 24. Älä käytä tehokonetta tulenarkojen materiaalien lähellä. Kipinät voivat sytyttää nämä materiaalit.
 25. Älä käytä sellaisia lisävarusteita, jotka vaativat jäähdytysnesteitä. Jos käytät vettä tai muuta jäähdytysnestettä, se voi aiheuttaa sähkötapaturman tai -iskun.
 26. Varmista aina, että työkalu on kytketty pois ja vedetty seinästä tai että akku on poistettu ennen minkäänlaisten huoltotöiden suorittamista työkalulla.
 27. Pidä huoli siitä, että seisot tukevasti. Jos työskentelet korkealla, varmista, ettei ketään ole alapuolella.
5. Älä oikosulje akkua.
 - (1) Älä koske akun napoihin millään sähköä johtavalla materiaalilla.
 - (2) Vältä akun oikosulkemista äläkä säilytä akkua yhdessä muiden metalliesineiden, kuten naulojen, kolikoiden ja niin edelleen kanssa.
 - (3) Älä aseta akkua alttiiksi vedelle tai sateelle.
 Oikosulku voi aiheuttaa virtapiikin, ylikuumentumista, palovammoja tai laitteen rikkoutumisen.
 6. Älä säilytä työkalua ja akkua paikassa, jossa lämpötila voi nousta 50 °C:een tai sitäkin korkeammaksi.
 7. Älä hävitä akkua polttamalla, vaikka se olisi pahoin vaurioitunut tai täysin loppuun kulunut. Avotuli voi aiheuttaa akun räjähtämisen.
 8. Varo kolhimasta tai pudottamasta akkua.
 9. Älä käytä viallista akkua.
 10. Sisältyviä litium-ioni-akkuja koskevat vaarallisten aineiden lainsäädännön vaatimukset. Esimerkiksi kolmansien osapuolten huolintaliikkeiden tulee kaupallisissa kuljetuksissa noudattaa pakkaamista ja merkintöjä koskevia erityisvaatimuksia. Lähetettävän tuotteen valmistelu edellyttää vaarallisten aineiden asiantuntijan neuvontaa. Huomioi myös mahdollisesti yksityiskohtaisemmat kansalliset määräykset. Akun avoimet liittimet tulee suojata teipillä tai suojuksella ja pakkaaminen tulee tehdä niin, ettei akku voi liikkua pakkauksessa.
 11. Hävitä akku paikallisten määräysten mukaisesti.
 12. Käytä akkua vain Makitan ilmoittamien tuotteiden kanssa. Akkujen asentaminen yhteensopimattomiin tuotteisiin voi aiheuttaa tulipalon, liiallisen ylikuumentumisen, räjähdyksen tai akkunestevuotoja.

SÄILYTÄ NÄMÄ OHJEET.

VAROITUS: ÄLÄ anna työkalun helppokäyttöisyyden tai toistuvan käytön tuudittaa sinua väärään turvallisuuden tunteeseen niin, että laiminlyöt työkalun turvaohjeiden noudattamisen. **VÄÄRINKÄYTTÖ** tai tämän käyttöohjeen turvamääräysten laiminlyönti voi johtaa vakaviin henkilövahinkoihin.

Akkupakettia koskevia tärkeitä turvaohjeita

1. Ennen akun käyttöönottoa tutustu kaikkiin laturissa (1), akussa (2) ja akkukäyttöisessä tuotteessa (3) oleviin varoitusteksteihin.
2. Älä pura akkua.
3. Jos akun toiminta-aika lyhenee merkittävästi, lopeta akun käyttö. Seurauksena voi olla ylikuumentuminen, palovammoja tai jopa räjähdys.
4. Jos akkunestettä pääsee silmiin, huuhtele puhtaalla vedellä ja hakeudu välittömästi lääkärin hoitoon. Akkuneste voi aiheuttaa näön menetyksen.

SÄILYTÄ NÄMÄ OHJEET.

HUOMIO: Käytä vain alkuperäisiä Makita-akkuja. Muiden kuin aitojen Makita-akkujen, tai mahdollisesti muutettujen akkujen käyttö voi johtaa akun murtumiseen ja aiheuttaa tulipaloja, henkilö- ja omaisuusvahinkoja. Se mitätöi myös Makita-työkalun ja -laturin Makita-takuun.

Vihjeitä akun käyttöiän pidentämiseksi

1. Lataa akku ennen kuin se purkautuu täysin. Lopeta aina työkalun käyttö ja lataa akku, jos huomaat työkalun tehon vähenevän.
2. Älä koskaan lataa uudestaan täysin ladattua akkua. Ylilataaminen lyhentää akun käyttöikää.
3. Lataa akku huoneen lämpötilassa välillä 10 °C - 40 °C. Anna kuuman akun jäähtyä ennen lataamista.
4. Lataa akkupaketti, jos et käytä sitä pitkään aikaan (yli kuusi kuukautta).

TOIMINTOJEN KUVAUS

VAROITUS:

- Varmista aina ennen säätöjä tai tarkastuksia, että laite on sammutettu ja akku on irrotettu. Jos laitetta ei sammuteta ja akkua irroteta, se voi käynnistyä vahingossa ja aiheuttaa vakavia vammoja.

Akun asentaminen tai irrottaminen

- **Kuva1:** 1. Painike 2. Punainen ilmais-in 3. Akku

HUOMIO:

- Sammuta työkalu aina ennen akun kiinnittämistä tai irrottamista.
- Pidä työkalusta ja akusta tiukasti kiinni, kun irrotat tai kiinnität akkua. Jos akku tai työkalu putoaa, ne voivat vaurioitua tai aiheuttaa loukkaantumisen.

Irrota akku painamalla akun etupuolella olevaa painiketta ja vetämällä akku ulos työkalusta. Kiinnitä akku sovitamalla akun kieleke rungon uraan ja työntämällä akku sitten paikoilleen. Työnnä akku pohjaan asti niin, että kuulet sen napsahdavan paikoilleen. Jos painikkeen yläpuolella näkyy punainen ilmais-in, akku ei ole lukkiutunut täysin paikoilleen.

HUOMIO:

- Työnnä akku aina pohjaan asti, niin että punainen ilmais-in ei enää näy. Jos akku ei ole kunnolla paikallaan, se voi pudota työkalusta ja aiheuttaa vammoja joko käyttäjälle tai sivullisille.
- Älä käytä voimaa akun asennuksessa. Jos akku ei mene paikalleen helposti, se on väärässä asennossa.

Akun suojausjärjestelmä (tähtimerkinnällä merkitty litiumioniakku)

- **Kuva2:** 1. Tähtimerkintä

Tähtimerkinnällä merkityssä litiumioniakussa on suojausjärjestelmä. Tämä järjestelmä pidentää akun käyttöikä katkaisemalla automaattisesti virran työkaluun. Työkalu voi pysähtyä automaattisesti kesken käytön, jos työkalussa tai akussa ilmenee jokin seuraavista tilanteista:

- Ylikuormitus:
Työkalua käytetään tavalla, joka saa sen kuluttamaan epätavallisen paljon virtaa. Työnnä silloin työkalun liukukytkin asentoon "O (OFF)" ja lopeta ylikuormitustilan aiheuttanut käyttö. Käynnistä sitten työkalu uudelleen työntämällä liukukytkimen asentoon "I (ON)". Jos työkalu ei käynnisty, akku on ylikuumentunut. Anna silloin akun jäähtyä, ennen kuin työnnät liukukytkimen uudelleen asentoon "I (ON)".
- Alhainen akun jännite:
Akun varaus ei riitä työkalun käyttämiseen. Irrota silloin akku ja lataa se.

Ylikuumentumissuoja

Kun työkalu ylikuormittuu ja sen lämpötila saavuttaa tietyn arvon, työkalu pysähtyy automaattisesti. Jos näin tapahtuu, anna työkalun jäähtyä ennen sen kytkemistä uudelleen päälle.

Akun jäljellä olevan varauksen ilmais-in

Vain akkupaketeille ilmais-imella

- **Kuva3:** 1. Merkkivalot 2. Tarkistuspainike

Painamalla tarkistuspainiketta saat näkyviin akun jäljellä olevan varauksen. Merkkivalot palavat muutaman sekunnin ajan.

Merkkivalot			Akussa jäljellä olevan varaus
Palaa	Pois päältä	Viikkuu	
			75% - 100%
			50% - 75%
			25% - 50%
			0% - 25%
			Lataa akku.
			Akussa on saattanut olla toimintahäiriö.

HUOMAA: Ilmoitettu varaus-taso voi erota hieman todellisesta varaus-tasosta sen mukaan, millaisissa oloissa ja missä lämpötilassa laitetta käytetään.

Kytkimen käyttäminen

- **Kuva4:** 1. Liukukytkin

HUOMIO:

- Ennen kuin kiinnität akun työkaluun, varmista, että työkalu on kytketty pois päältä.

Käynnistä työkalu työntämällä liukukytkin asentoon "I (ON)".

Pysäytä työkalu työntämällä liukukytkin asentoon "O (OFF)".

Iskunopeuden säätö

- **Kuva5:** 1. Asteikko

Iskunopeutta voi säätää. Voit säätää iskunopeutta kiertämällä valitsinta asteikolla 1–6. Mitä suurempi arvo asteikolta valitaan, sen suurempi iskunopeus on. Käännä valitsin kulloiseenkin työhön sopivan nopeuden kohdalle.

HUOMAA:

- Valitsinta ei voi kääntää suoraan arvosta 1 arvoon 6 tai arvosta 6 arvoon 1. Valitsimen kiertäminen liiallisella voimalla voi vaurioittaa työkalua. Kun vaihdat valitsimen suuntaa, kierrä valitsinta välissä olevien arvojen kautta.

Merkkivalo

► **Kuva6:** 1. Merkkivalo

- Kun akun varaus on vähissä, akun merkkivalo alkaa vilkkua.
- Kun akun varaus on lähes lopussa, työkalu pysähtyy ja merkkivalo syttyy noin kymmeneksi sekunniksi.

Irrota akku työkalusta ja lataa se.

KOKOONPANO

▲HUOMIO:

- Varmista aina ennen mitään työkalulle tehtäviä toimenpiteitä, että se on sammutettu ja akku irrotettu.

Työkalukärjen (lisävaruste) kiinnittäminen ja irrottaminen

▲VAROITUS:

- Älä asenna työkalukärkeä ylösalaisin. Työkalukärjen asentaminen ylösalaisin voi vaurioittaa työkalua ja aiheuttaa valavia vammoja.
- Säädä työkalukärjen asennuskulma suoritettavaan työhön sopivaksi. Työkalukärjen asennuskulmaa voi muuttaa 30 asteen välein.

▲HUOMIO:

- Ole varovainen sulkiessasi lukitusvipua. Lukitusvipu voi sulkeutua äkisti, jolloin sormi voi jäädä puristuksiin.
- Puhdista pöly lukitusvivun liikkuvasta osasta ja voitele se säännöllisesti. Muuten liikkuvaan osaan voi kertyä pölyä, mikä voi haitata sen liikumista.
- Älä käynnistä työkalua, kun vipu avautuu. Työkalu voi rikkoutua.

1. Avaa lukitusvipu täysin. Irrota pidikepultti.

► **Kuva7:** 1. Pidikepultti 2. Lukitusvipu

2. Aseta työkalukärki (lisävaruste) työkalun laippaan siten, että laipan ulokkeet osuvat työkalukärjessä oleviin aukkoihin.

► **Kuva8:** 1. Pidikepultti 2. Työkalukärjen reiät 3. Kiinnityslaipan ulokkeet

3. Työnnä pidikepultti paikalleen, kunnes se pysähtyy. Palauta sitten lukitusvipu alkuperäiseen asentoonsa.

► **Kuva9**

Kun käytät hiontakärkeä, asenna työkalukärki hionta-alustalle siten, että se vastaa hionta-alustan suuntaa. Hionta-alustassa on tarranauhakiinnitys, joka mahdollistaa hiomapaperin helpon ja nopean asennuksen. Asenna hiomapaperi siten, että pölynpoistoon tarkoitettut reiät ovat hionta-alustan reikien kohdalla. Irrota hiomapaperi nostamalla sen takareunaa ja vetämällä se irti hionta-alustasta.

Irrota pidikepultti noudattamalla asennusohjeita päinvastaisessa järjestyksessä.

► **Kuva10:** 1. Sovitin

Jos käytät työkalukärkeä, jonka asennusosa on erilainen, käytä asianmukaista sovitinta (lisävaruste).

TYÖSKENTELY

▲VAROITUS:

- Varmista ennen työkalun käyttöä ja sen käytön aikana, ettei työkalukärki kosketa käsiäsi tai kasvojasi.

▲HUOMIO:

- Älä kohdista työkaluun liiallista voimaa, joka saa sen moottorin pysähtymään.

Leikkaaminen, sahaaminen ja kaapiminen

▲HUOMIO:

- Älä liikuta työkalua voimalla työkalun leikkaussuuntaan (esim. sivulle), jos työkalussa ei ole leikkaavaa terää. Se voi vaurioittaa työkalua.

► **Kuva11**

Aseta työkalukärki työkalupaleen päälle.

Työnnä työkalua eteenpäin sellaisella voimalla, ettei työkalukärjen liike hidastu.

HUOMAA:

- Työkalun työntäminen tai painaminen liiallisella voimalla voi pienentää työkalu tehoa.
- Ennen leikkaamisen aloittamista on suositeltavaa säätää iskunopeudeksi 4–6.
- Poista sahanpuru työskentelyn aikana. Se parantaa työn tehokkuutta.
- Pyörösaha on tarkoitettu käytettäväksi suorien linjojen leikkaamiseen.

Hionta

▲HUOMIO:

- Älä hio puuta hiomapaperilla, jolla on aiemmin hiottu metallia.
- Älä käytä kulunutta hiomapaperia tai hiomapaperia, jossa ei ole hionta-ainetta.

► **Kuva12**

Hiomapaperin asettaminen työkalupaleen päälle.

HUOMAA:

- On suositeltavaa säätää iskunopeus työhön sopivaksi kokeilemalla sitä mallikappaleeseen.
- Hio koko työkappale hiomapaperilla, jonka karkeus on sama. Hiomapaperin vaihto hienompaan ei välttämättä tuota sileää jälkeä.

Pölynkeräin (lisävaruste)

- **Kuva13:** 1. Suuttimen panta 2. Pölysuutin
3. Pölysuojus 4. Huoparengas 5. Tyyny
6. Pidikepultti 7. Työkalun reiät
8. Suuttimen pinnan ulokkeet

- Asenna pölynpoistosuuttimet ja pölysuojus.
- Asenna suuttimen panta työkaluun siten, että sen ulokkeen sopivat työkalussa oleviin reikiin.
- Aseta huoparengas ja hionta-alusta pölysuojukseen ja kiinnitä ne työkalukärjen kiinnityspultilla.

► **Kuva14**

Jos haluat työskennellä siistimmin, kytke työkaluusi pölynimuri. Kiinnitä pölynimurin letku pölynkeräimeen (lisävaruste).

- HM-irrotin
- HM-segmenttisahanterä
- HM-hionta-alusta
- Timanttisegmenttisahanterä
- Hiomapaperi
- Sovitin
- Hiomapaperi delta (punainen / valkoinen / musta)
- Fleece delta (keskikarkea / karkea / ei hionta-ainetta)
- Kiillotushuopa delta
- Kuusioavain
- Pölynkeräin
- Aito Makitan akku ja laturi

HUOMAA:

- Jotkin luettelossa mainitut varusteet voivat sisältyä työkalun toimitukseen vakiovarusteina. Ne voivat vaihdella maittain.

KUNNOSSAPITO**⚠HUOMIO:**

- Varmista aina ennen tarkastusta tai huoltoa, että työkalu on sammutettu ja akku irrotettu.
- Älä koskaan käytä bensiiniä, ohentimia, alkoholia tai tms. aineita. Muutoin pinta voi halkeilla tai sen värit ja muoto voivat muuttua.

Tuotteen TURVALLISUUDEN ja LUOTETTAVUUDEN säilyttämiseksi Makitan valtuutetun huoltokeskuksen tulee suorittaa korjaukset, hiiliharjojen tarkastus ja vaihto, sekä muut huolto- tai säätötyöt Makitan varaosia käyttäen.

LISÄVARUSTEET**⚠HUOMIO:**

- Näitä lisävarusteita ja -laitteita suositellaan käytettäväksi tässä ohjekirjassa mainitun Makitan koneen kanssa. Minkä tahansa muun lisävarusteen tai -laitteen käyttäminen voi aiheuttaa loukaantumisvaaran. Käytä lisävarusteita ja -laitteita vain niiden käyttötarkoituksen mukaisesti.

Jos tarvitset apua tai yksityiskohtaisempia tietoja seuraavista lisävarusteista, ota yhteys paikalliseen Makitan huoltoon.

- Segmenttisahanterä
- Pyörösahanterä
- Upotussahanterä
- Kaavin (jäykkä)
- Kaavin (joustava)
- Sahalaitainen segmenttiterä
- Saumaleikkuriterä

SPECIFIKĀCIJAS

Modelis	DTM41	DTM51
Svārstības minūtē	6 000 - 20 000 (min ⁻¹)	
Svārstību leņķis, pa kreisi/pa labi	1,6 ° (3,2 ° kopā)	
Kopējais garums	326 - 340 mm	
Neto svars	1,9 - 2,3 kg	2,0 - 2,4 kg
Nominālais spriegums	Līdzstrāva 14,4 V	Līdzstrāva 18 V

- Nepārtrauktās izpētes un izstrādes programmas dēļ šeit uzrādītās specifikācijas var tikt mainītas bez brīdinājuma.
- Atkarībā no valsts specifikācijas var atšķirties.
- Svārs var būt atšķirīgs atkarībā no papildierīces(-ēm), tostarp akumulatora kasetnes. Tabulā ir attēlota vieglākā un smagākā kombinācija atbilstoši EPTA procedūrai 01/2014.

Piemērotā akumulatora kasetne un lādētājs

Akumulatora kasetne	14,4 V līdzstrāvas modelis	BL1415N / BL1430 / BL1430B / BL1440 / BL1450 / BL1460B
	18 V līdzstrāvas modelis	BL1815N / BL1820 / BL1820B / BL1830 / BL1830B / BL1840 / BL1840B / BL1850 / BL1850B / BL1860B
Lādētājs		DC18RC / DC18RD / DC18RE / DC18SD / DC18SE / DC18SF

- Daži no iepriekš norādītajiem lādētājiem un akumulatora kasetnēm var nebūt pieejami atkarībā no jūsu mītnes reģiona.

⚠ BRĪDINĀJUMS: Izmantojiet vienīgi iepriekš norādītās akumulatora kasetnes un lādētājus. Cita tipa akumulatora kasetņu un lādētāju izmantošana var radīt traumu un/vai aizdegšanās risku.

Paredzētā izmantošana

Darbarīks paredzēts koka, plastmasas, ģipša, krāsainā metāla zāģēšanai un griešanai, kā arī elementu (piemēram, nestiprinātu naglu un skavu) nostiprināšanai. Ar to ir arī paredzēts apstrādāt mitkstās sienas flīzes, kā arī veikt nelielu virsmu sauso slīpēšanu un ciklēšanu. Īpaši piemērots strādāšanai tuvu malai un vienlīmeņa griešanai.

Troksnis

Tipiskais A-svērtais trokšņa līmenis ir noteikts saskaņā ar EN62841:

Darba režīms: pulēšana

Modelis DTM41

Skaņas spiediena līmenis (L_{pA}): 76 dB (A)

Neskaidrība (K): 3 dB (A)

Darbības laikā trokšņa līmenis var pārsniegt 80 dB (A).

Modelis DTM51

Skaņas spiediena līmenis (L_{pA}): 77 dB (A)

Neskaidrība (K): 3 dB (A)

Darbības laikā trokšņa līmenis var pārsniegt 80 dB (A).

Darba režīms: zāģēšana ar iezāģēšanas zāģa asmeni

Modelis DTM41

Skaņas spiediena līmenis (L_{pA}): 80 dB (A)

Skaņas jaudas līmenis (L_{WA}): 91 dB (A)

Neskaidrība (K): 3 dB (A)

Modelis DTM51

Skaņas spiediena līmenis (L_{pA}): 81 dB (A)

Skaņas jaudas līmenis (L_{WA}): 92 dB (A)

Neskaidrība (K): 3 dB (A)

Darba režīms: zāģēšana ar segmentu zāģa asmeni

Modelis DTM41

Skaņas spiediena līmenis (L_{pA}): 77 dB (A)

Neskaidrība (K): 3 dB (A)

Darbības laikā trokšņa līmenis var pārsniegt 80 dB (A).

Modelis DTM51

Skaņas spiediena līmenis (L_{pA}): 76 dB (A)

Neskaidrība (K): 3 dB (A)

Darbības laikā trokšņa līmenis var pārsniegt 80 dB (A).

Darba režīms: ciklēšana

Modelis DTM41

Skaņas spiediena līmenis (L_{pA}): 78 dB (A)

Neskaidrība (K): 3 dB (A)

Darbības laikā trokšņa līmenis var pārsniegt 80 dB (A).

Modelis DTM51

Skaņas spiediena līmenis (L_{pA}): 80 dB (A)

Skaņas jaudas līmenis (L_{WA}): 91 dB (A)

Neskaidrība (K): 3 dB (A)

Lietojiet ausu aizsargus

Vibrācija

Vibrācijas kopējā vērtība (trīs asu vektora summa) noteikta saskaņā ar EN62841:

Modelis DTM41

Darba režīms: pulēšana

Vibrācijas emisija (a_{h1}): 3,0 m/s²

Neskaidrība (K): 1,5 m/s²

Modelis DTM51

Darba režīms: pulēšana

Vibrācijas emisija (a_{h1}): 3,0 m/s²

Neskaidrība (K): 1,5 m/s²

Modelis DTM41

Darba režīms: zāģēšana ar iezāģēšanas zāģa asmeni

Vibrācijas emisija (a_n): 7,0 m/s²

Neskaidrība (K): 1,5 m/s²

Modelis DTM51

Darba režīms: zāģēšana ar iezāģēšanas zāģa asmeni

Vibrācijas emisija (a_n): 7,0 m/s²

Neskaidrība (K): 1,5 m/s²

Modelis DTM41

Darba režīms: zāģēšana ar segmentu zāģa asmeni

Vibrācijas emisija (a_n): 4,5 m/s²

Neskaidrība (K): 1,5 m/s²

Modelis DTM51

Darba režīms: zāģēšana ar segmentu zāģa asmeni

Vibrācijas emisija (a_n): 4,5 m/s²

Neskaidrība (K): 1,5 m/s²

Modelis DTM41

Darba režīms: ciklēšana

Vibrācijas emisija (a_n): 5,0 m/s²

Neskaidrība (K): 1,5 m/s²

Modelis DTM51

Darba režīms: ciklēšana

Vibrācijas emisija (a_n): 5,5 m/s²

Neskaidrība (K): 1,5 m/s²

PIEZĪME: Paziņotā vibrācijas emisijas vērtība noteikta atbilstoši standarta pārbaudes metodei un to var izmantot, lai salīdzinātu vienu darbarīku ar citu.

PIEZĪME: Paziņoto vibrācijas emisijas vērtību arī var izmantot iedarbības sākotnējā novērtējumā.

▲BRĪDINĀJUMS: Reāli lietojot mehānizēto darbarīku, vibrācijas emisija var atšķirties no paziņotās emisijas vērtības atkarībā no darbarīka izmantošanas veida.

▲BRĪDINĀJUMS: Lai aizsargātu lietotāju, nosakiet drošības pasākumus, kas pamatoti ar iedarbību reālos darba apstākļos (ņemot vērā visus ekspluatācijas cikla posmus, piemēram, laiku, kamēr darbarīks ir izslēgts un kad darbojas tukšgaitā, kā arī palaides laiku).

EK atbilstības deklarācija

Tikai Eiropas valstīm

EK atbilstības deklarācija šajā lietošanas rokasgrāmatā ir iekļauta kā A pielikums.

Vispārīgi elektrisko darbarīku drošības brīdinājumi

▲BRĪDINĀJUMS: Izlasiet visus drošības brīdinājumus, instrukcijas, apskatiet ilustrācijas un tehniskos datus, kas iekļauti mehānizētā darbarīka komplektācijā. Ja netiek ievēroti visi tālāk minētie noteikumi, var tikt izraisīta elektrotrauma, notikt aizdegšanās un/vai rasties smagas traumas.

Glabājiet visus brīdinājumus un norādījumus, lai varētu tajos ieskatīties turpmāk.

Termins „elektrisks darbarīks” brīdinājumos attiecas uz tādu elektrisko darbarīku, ko darbina ar elektrību (ar vadu), vai tādu, ko darbina ar akumulatoru (bez vada).

DROŠĪBAS BRĪDINĀJUMI BEZVADU DAUDZFUNKCIJU DARBARĪKA LIETOŠANAI

1. Šī mehānizētā darbarīka paredzētās funkcijas ir zāģēšana, griešana, slīpēšana un pulēšana. Izlasiet visus drošības brīdinājumus, instrukcijas un specifikācijas, kas iekļautas mehānizētā darbarīka komplektācijā. Ja netiek ievēroti visi zemāk izklāstītie norādījumi, var izraisīt elektriskās strāvas triecienu, ugunsgrēku un/vai smagas traumas.
2. Veicot darbu, turiet mehānizēto darbarīku aiz izolētajām satveršanas virsmām, ja griešanas darbarīks varētu saskarties ar apslēptu elektroinstalāciju vai ar savu vadu. Ja griešanas darbarīks saskarsies ar vadu, kurā ir strāva, visas darbarīka ārējās metāla virsmas vadīs strāvu un radīs elektriskās strāvas trieciena risku.
3. Izmantojot skavas, vai citā praktiskā veidā nostipriniet un atbalstiet apstrādājamo materiālu pret stabilu platformu. Turot materiālu ar roku vai pie sava ķermeņa, tas ir nestabilā stāvoklī, un jūs varat zaudēt kontroli pār to.
4. Vienmēr lietojiet aizsargbrilles. Parastās brilles vai saulesbrilles NAV aizsargbrilles.
5. Negrieziēt naglas. Pirms sākt darbu pārbaudiet, vai apstrādājamā materiālā nav naglas, un tās izņemiet.
6. Turiet darbarīku stingri.
7. Pirms slēdža ieslēgšanas pārliecinieties, vai darba instruments nepieskaras apstrādājama materiālam.
8. Netuviniet rokas kustīgajām daļām.
9. Neatstājiet ieslēgtu darbarīku. Darbiniet darbarīku vienīgi tad, ja turat to rokās.
10. Pirms asmens izņemšanas no apstrādājamā materiāla vienmēr izslēdziet darbarīku un pagaidiet, kamēr asmens pilnībā apstājas.
11. Neskarīet darba instrumentu vai apstrādājamo materiālu tūlīt pēc darba veikšanas; tie var būt ļoti karsti un var apdedzināt ādu.
12. Lieki nedarbiniet darbarīku bez slodzes.
13. Vienmēr izmantojiet materiālam un konkrētam gadījumam piemērotu putekļu masku/respiratoru.
14. Daži materiāli satur ķīmiskas vielas, kuras var būt toksiskas. Izvairieties no putekļu ieelpošanas un to nokļūšanas uz ādas. Ievērojiet materiāla piegādātāja drošības datus.
15. Šis darbarīks nav ūdensdrošs, tādēļ uz apstrādājamā materiāla virsmas neizmantojiet ūdeni.
16. Veicot slīpēšanas darbus, darba vietu atbilstoši vēdiniet.
17. Izmantojot šo darbarīku, lai slīpētu noteikta veida izstrādājumus, krāsu un koku, var pakļaut operatoru putekļiem, kuru sastāvā ir bīstamas vielas. Izmantojiet elpošanas ceļu aizsardzību.
18. Pirms lietošanas pārbaudiet, vai starplika nav saplaisājusi vai saplīsumi. Plaisas vai plīsumi var izraisīt ievainojumu.
19. Lietojiet tikai darbarīka ražotāja īpaši izgatavotos un ieteiktos piederumus. Kaut arī piederumu ir iespējams piestiprināt pie darbarīka, tā lietošana nav droša.

20. Izmantojiet personīgo aizsargaprīkojumu. Atkarībā no veicamā darba valkājiet sejas aizsargu, aizsargbrilles vai brilles. Ja vajadzīgs, valkājiet ausu aizsargus, cimdus un darba priekšautu, kas aiztur mazas abrazīvas vai apstrādājamā materiāla daļas. Acu aizsardzības aprīkojumam jāaiztur lidojoši neīrūmi, kas rodas dažādu darbu veikšanas laikā. Putekļu maskai vai respiratoram jāaiztur darba laikā radušās daļiņas. Ilgstoši, ļoti intensīva trokšņa iedarbībā varat zaudēt dzirdi.
21. **Uzmaniet, lai apkārtējās personas atstos drošā attālumā no darba vietas.** Ikvienam, kas atrodas darba vietā, jāvalkā personīgais aizsargaprīkojums. Apstrādājamā materiāla vai bojāta piederuma daļiņas var aizlidot un izraisīt ievainojumus tiem, kas atrodas darba vietas tuvumā.
22. **Mehanizēto darbarīku nedrīkst nolikt malā, līdz piederums nav pilnībā pārstājis darbības.** Rotējošais piederums var satvert vīrsmu un izraut mehanizēto darbarīku jums no rokām.
23. **Nedarbiniet mehanizēto darbarīku, to nesot sev tuvumā.** Nejauši saskaroties ar piederumu, tas var aizķerties aiz apģērba un saskarties ar ķermeni.
24. **Mehanizēto darbarīku nedrīkst darbināt viegli uzliesmojošu materiālu tuvumā.** Dzirksteles var aizdedzināt šos materiālus.
25. **Nelietojiet tādus piederumus, kam vajadzīgi dzesēšanas šķidrumi.** Lietojot ūdeni vai citus dzesēšanas šķidrumus, var gūt nāvējošu triecienu vai elektriskās strāvas triecienu.
26. **Vienmēr pārlicinieties, ka darbarīks ir izslēgts un atvienots no elektrības, un ir izņemts akumulators, pirms veicat kādas darbības ar šo darbarīku.**
27. **Vienmēr nodrošiniet stabilu pamatu kājām.** Ja lietojat darbarīku augstumā, pārlicinieties, vai apakšā neviena nav.

SAGLABĀJIET ŠOS NORĀDĪJUMUS.

▲BRĪDINĀJUMS: NEZAUDĒJIET modrību darbarīka lietošanas laikā (tas var gadīties pēc darbarīka daudzkārtējas izmantošanas), rūpīgi ievērojiet urbšanas drošības noteikumus šim izstrādājumam. **NEPAREIZAS LIETOŠANAS** vai šīs rokasgrāmatas drošības noteikumu neievērošanas gadījumā var gūt smagas traumas.

Svarīgi drošības norādījumi par akumulatora kasetni

1. Pirms akumulatora lietošanas izlasiet visus norādījumus un brīdinājumus, kuri attiecas uz (1) akumulatora lādētāju, (2) akumulatoru un (3) ierīci, kurā tiek izmantots akumulators.
2. Neizjauciet akumulatoru.
3. Ja akumulatora darbības laiks kļūva ievērojami īsāks, nekavējoties pārtrauciet to izmantot. Citādi, tas var izraisīt pārkarsējumu, uzliesmojumu vai pat sprādzienu.
4. Ja elektrolīts nonāk acīs, izskalojiet tās ar tīru ūdeni un nekavējoties griezieties pie ārsta. Tas var izraisīt redzes zaudēšanu.

5. **Neradiet īssavienojumu akumulatora kasetnē:**
 - (1) **Nepieskarieties spaiļēm ar elektrību vadošiem materiāliem.**
 - (2) **Neuzglabājiet akumulatoru kasetni kopā ar citiem metāla priekšmetiem, tādiem kā naglas, monētas u. c.**
 - (3) **Nepakļaujiet akumulatora kasetni ūdens vai lietus iedarbībai.**
5. **Akumulatora īssavienojums var radīt spēcīgu strāvas plūsmu, pārkaršanu, uzliesmojumu un pat sabojāt akumulatoru.**
6. **Neglabājiet darbarīku un akumulatora kasetni vietās, kur temperatūra var sasniegt vai pārsniegt 50 °C (122 °F).**
7. **Nededziniet akumulatora kasetni, pat ja tā ir stipri bojāta vai pilnībā nolietota.** Akumulatora kasetne uguni var eksplodēt.
8. **Uzmanieties, lai neļautu akumulatoram nokrist un nepakļautu to sītienu.**
9. **Neizmantojiet bojātu akumulatoru.**
10. **Uz izmantotajiem litija jonu akumulatoriem attiecas likumdošanas prasības par bīstamiem izstrādājumiem.**

Komerציālā transportēšanā, ko veic, piemēram, trešās puses, transporta uzņēmumi, jāievēro uz iesaiņojuma un marķējuma norādītās īpašās prasības. Lai izstrādājumu sagatavotu nosūtīšanai, jāsažinās ar bīstamo materiālu speciālistu. Ievērojiet arī citus attiecināmos valsts normatīvus. Vajējus kontaktus nosedziet ar līmlenti vai citādi pārklājiet, bet akumulatoru iesaiņojiet tā, lai sainītas nevarētu izkustēties.

SAGLABĀJIET ŠOS NORĀDĪJUMUS.

▲UZMANĪBU: Lietojiet tikai oriģinālos Makita akumulatorus. Ja lietojat neoriģinālus Makita akumulatorus vai pārveidotus akumulatorus, tie var uzsprāgt un izraisīt aizdegšanos, traumas un materiālos zaudējumus. Tikas anulēta arī Makita darbarīka un lādētāja garantija.

Ieteikumi akumulatora kalpošanas laika pagarināšanai

1. **Uzlādējiet akumulatora kasetni, pirms tā ir pilnībā izlādējusies.** Vienmēr, kad ievērojat, ka darbarīka darba jauda zudusi, apturiet darbarīku un uzlādējiet akumulatora kasetni.
2. **Nekad neuzlādējiet pilnībā uzlādētu akumulatora kasetni.** Pārmērīga uzlāde saīsina akumulatora kalpošanas laiku.
3. **Uzlādējiet akumulatora kasetni istabas temperatūrā 10 °C - 40 °C.** Karstai akumulatora kasetnei pirms uzlādes ļaujiet atdzist.
4. **Uzlādējiet litija jonu akumulatora kasetni, ja to ilgstoši nelietosit (vairāk nekā sešus mēnešus).**

FUNKCIJU APRAKSTS

⚠ BRĪDINĀJUMS:

- Vienmēr pirms darbarīka regulēšanas vai funkciju pārbaudes pārbaudiet, vai instruments ir izslēgts un akumulatora kasetne ir izņemta. Ja darbarīku neizslēdz un neizņem akumulatora kasetni, tam nejausi ieslēdzoties, var izraisīt nopietnus ievainojumus.

Akumulatora kasetnes uzstādīšana un izņemšana

► **Att.1:** 1. Poga 2. Sarkans indikators 3. Akumulatora kasetne

⚠ UZMANĪBU:

- Vienmēr pirms akumulatora kasetnes uzstādīšanas vai noņemšanas izslēdziet darbarīku.
- Uzstādot vai izņemot akumulatora kasetni, darbarīku un akumulatora kasetni turiet cieši.** Ja darbarīku un akumulatora kasetni netur cieši, tie var izkrist no rokām un radīt bojājumus darbarīkam un akumulatora kasetnei, kā arī izraisīt ievainojumus.

Lai izņemtu akumulatora kasetni, izvelciet to no darbarīka, pārbindot kasetnes priekšpusē esošo pogu. Lai uzstādītu akumulatora kasetni, salāgojiet mēlīti uz akumulatora kasetnes ar rienvu ietvarā un iebīdi to vietā. Bīdiet to iekšā līdz klikšķim, kas nozīmē, ka tā ir pareizi uzstādīta. Ja pogas augšējā daļā ir redzams sarkans indikators, tas nozīmē, ka tā nav pilnīgi bloķēta.

⚠ UZMANĪBU:

- Vienmēr ievietojiet akumulatora kasetni tā, lai sarkanais indikators nebūtu redzams. Pretējā gadījumā tā var nejausi izkrist no darbarīka un radīt jums vai apkārtējiem ievainojumu.
- Neievietojiet akumulatora kasetni ar spēku. Ja kasetne neslīd ietvarā viegli, tā nav pareizi ielikta.

Akumulatora aizsardzības sistēma (litija jonu akumulators ar zvaigznes emblēmu)

► **Att.2:** 1. Zvaigznes emblēma

Litija jonu akumulatori ar zvaigznes emblēmu ir aprīkoti ar aizsardzības sistēmu. Šī sistēma automātiski izslēdz jaudas padevi darbarīkam, lai pagarinātu akumulatora kalpošanas laiku.

Darbarīks automātiski pārstās darboties ekspluatācijas laikā, ja darbarīku un/vai akumulatoru pakļaus kādam no šiem apstākļiem:

- Pārslogde:**
Darbarīku ekspluatācijas laikā lieto tādā veidā, ka tas saista pārmērīgu strāvu. Šādā gadījumā novietojiet darbarīka slīdslēdzi stāvoklī „O (OFF)” (izslēgts) un pārtrauciet darbību, kas izraisīja darbarīka pārslogdi. Pēc tam vēlreiz novietojiet slīdslēdzi stāvoklī „I (ON)” (ieslēgts), lai atkārtoti iedarbinātu darbarīku.
Ja darbarīks nesāk darboties, akumulators ir pārkarsis. Šādā gadījumā ļaujiet akumulatoram atdzist, pirms vēlreiz novietot slīdslēdzi stāvoklī „I (ON)” (ieslēgts).

- Zema akumulatora jauda:
Akumulatora atlikusī jauda ir pārāk zema, un darbarīks nedarbosies. Šādā gadījumā akumulatoru noņemiet un veiciet tam uzlādi.

Aizsardzība pret pārkaršanu

Ja darbarīks ir pārslogots un darbarīka temperatūra sasniedz noteiktu līmeni, darbarīks automātiski apstājas. Šādā gadījumā ļaujiet darbarīkam atdzist, pirms vēlreiz ieslēgt darbarīku.

Atlikušās akumulatora jaudas indikators

Tikai akumulatora kasetnēm ar indikatoru

► **Att.3:** 1. Indikatora lampas 2. Pārbaudes poga

Nospiediet akumulatora kasetnes pārbaudes pogu, lai pārbaudītu akumulatora atlikušo uzlādes līmeni. Indikatori iedegsies uz dažām sekundēm.

Indikatora lampas			Atlikusī jauda
Iededzies	Izslēgts	Mirgo	
			No 75% līdz 100%
			No 50% līdz 75%
			No 25% līdz 50%
			No 0% līdz 25%
			Uzlādējiet akumulatoru.
			Iespējama akumulatora kļūme.

PIEZĪME: Reālā jauda var nedaudz atšķirties no norādītās atkarībā no lietošanas apstākļiem un apkārtējās temperatūras.

Slīdslēža darbība

► **Att.4:** 1. Slīdslēdzis

⚠ UZMANĪBU:

- Pirms akumulatora kasetnes ievietošanas darbarīkā vienmēr pārbaudiet, vai darbarīks ir izslēgts.

Lai iedarbinātu darbarīku, novietojiet slīdslēdzi stāvoklī „I (ON)” (ieslēgts).

Lai apturētu darbarīku, novietojiet slīdslēdzi stāvoklī „O (OFF)” (izslēgts).

Orbitālās kustības ātruma regulēšana

► Att.5: 1. Ripa

Orbitālās kustības ātrumu var regulēt. Lai mainītu orbitālās kustības ātrumu, pagrieziet ripu starp 1 un 6. Jo lielāks skaitlis, jo lielāks orbitālās kustības ātrums. Novietojiet ripu pret skaitli, kas piemērots jūsu apstrādājamam materiālam.

PIEZĪME:

- Ripu nevar pagriezt uzreiz no 1 uz 6 vai no 6 uz 1. Ar spēku griežot ripu, var sabojāt darbarīku. Mainot ripas virzienu, vienmēr grieziet ripu, pārvietojot to starp katru blakus skaitli.

Indikatora lampiņa

► Att.6: 1. Indikatora lampiņa

- Kad akumulatora atlikusī jauda ir zema, sāk mirgot indikator.
- Kad akumulatora atlikusī jauda ir tikpat kā beigusies, darbarīks pārstāj darboties un indikatora lampa izgaismojas apmēram 10 sekundes.

Šajā gadījumā izņemiet akumulatora kasetni no darbarīka un veiciet tai uzlādi.

MONTĀŽA

⚠UZMANĪBU:

- Pirms darbarīka regulēšanas vai apkopes vienmēr pārliecinieties, ka darbarīks ir izslēgts un akumulatora kasetne ir izņemta.

Darba instrumenta (papildpiederums) uzstādīšana vai noņemšana

⚠BRĪDINĀJUMS:

- Neuzstādi darba instrumentu ar apakšpusi uz augšu. Uzstādot darba instrumentu ar apakšpusi uz augšu, var sabojāt instrumentu un izraisīt smagas traumas.
- Uzstādi darba instrumentu pareizā virzienā atbilstīgi savam darbam. Darba instrumentu var uzstādīt katrā 30 grādu leņķī.

⚠UZMANĪBU:

- Esiet uzmanīgi, kad aizverat aizturu sviru. Aiztura svira var aizvērties pēkšņi un iespiest pirkstu.
- Laiku pa laiku aiztura sviras kustīgajai daļai noslaukiet putekļus un to ieeļļojiet. Citādi uz aiztura sviras kustīgās daļas var uzkrāties putekļi un traucēt tās brīvai kustībai.
- Neiedarbiniet darbarīku sviras atvēršanas laikā. Tas var sabojāt darbarīku.

1. Pilnībā atveriet aizturu sviru. Pēc tam izskrūvējiet piespiedskrūvi.

► Att.7: 1. Piespiedskrūve 2. Bloķēšanas svira

2. Novietojiet darba instrumentu (papildpiederums) uz darbarīka atloka tā, lai darbarīka atloka izciļņi iegultos caurumos uz darba instrumenta.

► Att.8: 1. Piespiedskrūve 2. Caurumi darba instrumentā 3. Darbarīka atloka izvirsījumi

3. Ievietojiet piespiedskrūvi līdz galam. Pēc tam ievietojiet aizturu sviru atpakaļ tās sākotnējā vietā.

► Att.9

Ja izmanto pulēšanas darba instrumentu, uzstādi darba instrumentu uz pulēšanas bloka tā, lai tas atbilst pulēšanas bloka virzienam.

Pulēšanas blokam ir līplentes veida stiprinājuma sistēma, kas ļauj viegli un ātri piestiprināt smilšpapīru. Smilšpapīram ir caurumi putekļu savākšanai – piestipriniet smilšpapīru tā, lai caurumi smilšpapīrā atbilstu caurumiem pulēšanas blokā.

Lai noņemtu smilšpapīru, paceliet tā galu un noplēsiet.

Lai izņemtu piespiedskrūvi, izpildiet iepriekš aprakstīto uzstādīšanas procedūru apgrieztā secībā.

► Att.10: 1. Adapters

Izmantojot darba instrumentus ar atšķirīgu uzstādīšanas posmu, izmantojiet pareizu adapteri (papildpiederums).

EKSPLUATĀCIJA

⚠BRĪDINĀJUMS:

- Pirms darbarīka iedarbināšanas un ekspluatācijas laikā netuviniet savas rokas un seju darba instrumentam.

⚠UZMANĪBU:

- Darbarīkam neizmantojiet pārmērīgu slodzi, jo tas var bloķēt motoru un apstādināt darbarīku.

Griešana, zāģēšana un ciklēšana

⚠UZMANĪBU:

- Nevirziet darbarīku bez griežmalas ar spēku kādā ekspluatācijas virzienā (piemēram, pret vienu malu). Tas var sabojāt darbarīku.

► Att.11

Uz apstrādājamā materiāla novietojiet darba instrumentu. Pēc tam virziet darbarīku uz priekšu tā, lai nepalēninās darba instrumenta ātrums.

PIEZĪME:

- Spēka vai pārmērīga spiediena lietošana darbarīkam var mazināt tā efektivitāti.
- Pirms griešanas sākšanas orbitālās kustības ātrumu ieteicams iestatīt diapazonā no 4 līdz 6.
- Pienācīgi tīriet darbarīku, lai izņemtu zāģēšanas putekļus. Tas palielina darba efektivitāti.
- Diska zāģis ir piemērots garas, taisnas līnijas zāģēšanai.

Pulēšana

⚠ UZMANĪBU:

- Koka pulēšanai atkārtoti neizmantojiet smilšpapīru, kas izmantots metāla pulēšanai.
- Neizmantojiet nodilušu smilšpapīru vai smilšpapīru bez smilts.

► Att.12

Ar smilšpapīru pulējiet apstrādājamo materiālu.

PIEZĪME:

- Ieteicams izmantot apstrādājamā materiāla paraugu, lai noteiktu pareizu orbitālās kustības ātrumu, kas piemērots jūsu darbam.
- Izmantojiet smilšpapīru ar vienādu smilts graudu lielumu, līdz ir pabeigta visa apstrādājamā materiāla pulēšana. Ja izmanto smilšpapīru ar atšķirīgu smilts graudu lielumu, var neiegūt kvalitatīvu apdari.

Putekļu savācējs (papildpiederums)

- **Att.13:** 1. Sprauslas savilces apskava
2. Putekļsūcēja uzgalis 3. Putekļu savācējs 4. Filca gredzens 5. Starpliņa 6. Piespiedskrūve 7. Caurumi darbarīkā 8. Izvirzījumi uz sprauslas savilces apskavas

- Uzstādiēt putekļu sprauslas un putekļu savācēju.
- Uzstādiēt sprauslas savilces apskavas uz darbarīka tā, lai tās izvirzījumi ievietotos caurumos uz darbarīka, to nostiprinot.
- Novietojiet filca gredzenu un pulēšanas bloku uz putekļu savācēja un piestipriniet tos ar darba instrumenta montāžas skrūvi.

► Att.14

Ja vēlaties, lai ekspluatācija būtu tīrāka, darbarīkam pievienojiet putekļsūcēju. Pie putekļu savācēja (papildpiederums) pievienojiet putekļsūcēja šļūteni.

APKOPE

⚠ UZMANĪBU:

- Pirms darbarīka pārbaudes vai apkopes vienmēr pārliecinieties, ka darbarīks ir izslēgts un akumulatora kasetne ir izņemta.
- Nekad neizmantojiet gāzoliņu, benzīnu, atšķaidītāju, spirtu vai līdzīgus šķidrumus. Tas var radīt izbalēšanu, deformāciju vai plaisas.

Lai uzturētu izstrādājuma DROŠĪBU un UZTICAMU darbību, remonts, oglekļa suku pārbaude un maiņa, jebkāda cita apkope vai regulēšana jāveic Makita pilnvarotiem apkopes centriem, vienmēr izmantojot Makita rezerves daļas.

PAPILDU PIEDERUMI

⚠ UZMANĪBU:

- Šādi piederumi un rīki tiek ieteikti lietošanai ar šajā pamācībā aprakstīto Makita instrumentu. Jebkādu citu piederumu un rīku izmantošana var radīt traumu briesmas. Piederumu vai rīku izmantojiet tikai tā paredzētajam mērķim.

Ja jums vajadzīga palīdzība vai precīzāka informācija par šiem piederumiem, vērsieties savā tuvākajā Makita apkopes centrā.

- Segmentu zāģa asmens
- Diska zāģa asmens
- Iezāģēšanas zāģa asmens
- Skrāpis (cietais)
- Skrāpis (elastīgais)
- Robots segmentu asmens
- Parastais savienojumu grieznis
- Smagā metāla noņēmējs
- Smagā metāla segmentu zāģa asmens
- Smagā metāla pulēšanas plāksne
- Dimanta segmentu zāģa asmens
- Pulēšanas bloks
- Adapters
- Abrazīvs papīra trijstūris (sarkans / balts / melns)
- Plīša trijstūris (vidējs / raupjš / bez smiltīm)
- Plīša trijstūris pulēšanai
- Seššķautņu uzgriežņu atslēga
- Putekļu savācējs
- Makita oriģinālais akumulators un lādētājs

PIEZĪME:

- Daži sarakstā norādītie izstrādājumi var būt iekļauti instrumenta komplektācijā kā standarta piederumi. Tie dažādās valstīs var būt atšķirīgi.

SPECIFIKACIJOS

Modelis	DTM41	DTM51
Virpesių per minutę	6 000 - 20 000 (min ⁻¹)	
Svyravimo kampas, kairėn/dešinėn	1,6 ° (iš viso 3,2 °)	
Bendras ilgis	326 - 340 mm	
Neto svoris	1,9 - 2,3 kg	2,0 - 2,4 kg
Nominali įtampa	Nuol. sr. 14,4 V	Nuol. sr. 18 V

- Atliekame tęsinius tyrimus ir nuolat tobuliname savo gaminius, todėl čia pateikiamos specifikacijos gali būti keičiamos be įspėjimo.
- Skirtingose šalyse specifikacijos gali skirtis.
- Svoris gali priklausyti nuo priedo (-ų), įskaitant akumuliatoriaus kasetę. Lengviausias ir sunkiausias deriniai pagal EPTA 2014 m. sausio mėn. procedūrą yra parodyti lentelėje.

Tinkama akumuliatoriaus kasetė ir (arba) įkroviklis

Akumuliatoriaus kasetė	Nuol. sr. 14,4 V modelis	BL1415N / BL1430 / BL1430B / BL1440 / BL1450 / BL1460B
	Nuol. sr. 18 V modelis	BL1815N / BL1820 / BL1820B / BL1830 / BL1830B / BL1840 / BL1840B / BL1850 / BL1850B / BL1860B
Įkroviklis		DC18RC / DC18RD / DC18RE / DC18SD / DC18SE / DC18SF

- Atsižvelgiant į gyvenamosios vietos regioną, kai kurios pirmiau nurodytos akumuliatoriaus kasetės ir įkrovikliai gali būti neprieinami.

⚠️ ĮSPĖJIMAS: Naudokite tik akumuliatoriaus kasetes ir įkroviklius, kurie nurodyti anksčiau. Naudojant bet kurias kitas akumuliatoriaus kasetes ir įkroviklius, gali kilti sužeidimo ir gaisro pavojus.

Numatytojų paskirtis

Šis įrankis skirtas medienai, plastikui, gipsui, spalvotiems metalams pjauti bei pjautyti ir detalėms (pvz., negrūdinto plieno vinims ir kabėms) tvirtinti. Jis taip pat skirtas apdirbti minkštas sienines plyteles, o taip pat sausai šlifuoti ir grandyti nedidelius paviršius. Jis ypač tinka pakraščiams apdirbti ir lygiems pjūviams atlikti.

Triukšmas

Tipiškas A svertinis triukšmo lygis nustatytas pagal EN62841:

Darbo režimas: šlifavimas

Modelis DTM41

Garso slėgio lygis (L_{pA}): 76 dB (A)
Paklaida (K): 3 dB (A)

Dirbant triukšmo lygis gali viršyti 80 dB (A).

Modelis DTM51

Garso slėgio lygis (L_{pA}): 77 dB (A)
Paklaida (K): 3 dB (A)

Dirbant triukšmo lygis gali viršyti 80 dB (A).

Darbo režimas: pjovimas įleidžiamųjų pjūvių pjovimo disku

Modelis DTM41

Garso slėgio lygis (L_{pA}): 80 dB (A)
Garso galios lygis (L_{WA}): 91 dB (A)
Paklaida (K): 3 dB (A)

Modelis DTM51

Garso slėgio lygis (L_{pA}): 81 dB (A)
Garso galios lygis (L_{WA}): 92 dB (A)
Paklaida (K): 3 dB (A)

Darbo režimas: pjovimas segmentiniu pjovimo disku

Modelis DTM41

Garso slėgio lygis (L_{pA}): 77 dB (A)
Paklaida (K): 3 dB (A)

Dirbant triukšmo lygis gali viršyti 80 dB (A).

Modelis DTM51

Garso slėgio lygis (L_{pA}): 76 dB (A)
Paklaida (K): 3 dB (A)

Dirbant triukšmo lygis gali viršyti 80 dB (A).

Darbo režimas: grandymas

Modelis DTM41

Garso slėgio lygis (L_{pA}): 78 dB (A)
Paklaida (K): 3 dB (A)

Dirbant triukšmo lygis gali viršyti 80 dB (A).

Modelis DTM51

Garso slėgio lygis (L_{pA}): 80 dB (A)
Garso galios lygis (L_{WA}): 91 dB (A)
Paklaida (K): 3 dB (A)

Dėvėkite ausų apsaugas

Vibracija

Vibracijos bendroji vertė (trijų ašių vektorinė suma) nustatyta pagal EN62841:

Modelis DTM41

Darbo režimas: šlifavimas
Vibracijos emisija (a_h): 3,0 m/s²
Paklaida (K): 1,5 m/s²

Modelis DTM51

Darbo režimas: šlifavimas
Vibracijos emisija (a_h): 3,0 m/s²
Paklaida (K): 1,5 m/s²

Modelis DTM41

Darbo režimas: pjovimas įleidžiamųjų pjūvių pjovimo disku

Vibracijos emisija (a_h): 7,0 m/s²

Paklaida (K): 1,5 m/s²

Modelis DTM51

Darbo režimas: pjovimas įleidžiamųjų pjūvių pjovimo disku

Vibracijos emisija (a_h): 7,0 m/s²

Paklaida (K): 1,5 m/s²

Modelis DTM41

Darbo režimas: pjovimas segmentiniu pjovimo disku

Vibracijos emisija (a_h): 4,5 m/s²

Paklaida (K): 1,5 m/s²

Modelis DTM51

Darbo režimas: pjovimas segmentiniu pjovimo disku

Vibracijos emisija (a_h): 4,5 m/s²

Paklaida (K): 1,5 m/s²

Modelis DTM41

Darbo režimas: grandymas

Vibracijos emisija (a_h): 5,0 m/s²

Paklaida (K): 1,5 m/s²

Modelis DTM51

Darbo režimas: grandymas

Vibracijos emisija (a_h): 5,5 m/s²

Paklaida (K): 1,5 m/s²

PASTABA: Paskelbtasis vibracijos emisijos dydis nustatytas pagal standartinį testavimo metodą ir jį galima naudoti vienam įrankiui palyginti su kitu.

PASTABA: Paskelbtasis vibracijos emisijos dydis taip pat gali būti naudojamas preliminariai įvertinti vibracijos poveikį.

⚠️ ĮSPĖJIMAS: Faktiškai naudojant elektrinį įrankį, keliamos vibracijos dydis gali skirtis nuo paskelbtojo dydžio, priklausomai nuo būdų, kuriais yra naudojamas šis įrankis.

⚠️ ĮSPĖJIMAS: Siekiant apsaugoti operatorių, būtina įvertinkite saugos priemones, remdamiesi vibracijos poveikio įvertinimu esant faktinėms naudojimo sąlygoms (atsižvelgdami į visas darbo ciklo dalis, pavyzdžiui, ne tik kiek laiko įrankis veikia, bet ir kiek kartų jis yra išjungiamas bei kai jis veikia be apkrovų).

EB atitikties deklaracija

Tik Europos šalims

EB atitikties deklaracija yra pridedama kaip šio instrukcijų vadovo A priedas.

Bendrieji įspėjimai dirbant elektriniais įrankiais

⚠️ ĮSPĖJIMAS: Perskaitykite visus saugos įspėjimus, instrukcijas, iliustracijas ir techninius duomenis, pateiktus kartu su šiuo elektriniu įrankiu. Nesilaikant visų toliau išvardytų instrukcijų galima patirti elektros smūgį, gali kilti gaisras ir (arba) galima sunkiai susižaloti.

Išsaugokite visus įspėjimus ir instrukcijas, kad galėtumėte jas peržiūrėti ateityje.

Terminas „elektrinis įrankis“ pateiktuose įspėjimuose reiškia į maitinimo tinklą jungiamą (laidinį) elektrinį įrankį arba akumuliatoriaus maitinamą (belaidį) elektrinį įrankį.

SAUGOS ĮSPĖJIMAI DĖL AKUMULIATORINIO DAUGIAFUNKCIO ĮRANKIO NAUDOJIMO

1. Šis elektrinis įrankis skirtas pjauti, pjaustyti, galąsti ir šlifuoti. Skaitykite visus prieš šio elektrinio įrankio pridėtus saugos įspėjimus, nurodymus, iliustracijas ir techninius reikalavimus. Nesilaikant toliau pateiktų nurodymų, gali kilti elektros smūgio, gaisro ir (arba) sužeidimo pavojus.
2. Atlikdami darbus, kurių metu pjovimo dalis galėtų užkliudyti nematomą laidą arba savo paties laidą, laikykite elektrinius įrankius už izoliuotų paviršių. Pjovimo daliai prisilietus prie „gyvo“ laido, neizoliuotos metalinės elektrinio įrankio dalys gali sukelti elektros smūgį ir nutrenkti operatorių.
3. Žnyplėmis ar kitu praktišku būdu įtvirtinkite ir paremkite ruošinį ant stabilios platformos. Laikant ruošinį rankomis arba prispaudus prie kūno, jis yra nestabilus, todėl galite prarasti jo kontrolę.
4. Būtinai naudokite apsauginius akinius. Įprastiniai akiniai ar akiniai nuo saulės NĖRA apsauginiai akiniai.
5. Nepjunkite vinių. Prieš dirbdami apžiūrėkite, ar ruošinyje nėra vinių, ir jas išimkite.
6. Tvirtai laikykite įrankį.
7. Prieš įjungdami jungiklį, patikrinkite, ar darbo įrankis neličia ruošinio.
8. Žiūrėkite, kad rankos būtų kuo toliau nuo judamųjų dalių.
9. Nepalikite veikiančio įrankio. Naudokite įrankį tik laikydami rankomis.
10. Prieš išimdami geležtę iš ruošinio, būtinai išjunkite ir palaukite, kol ji visiškai sustos.
11. Nelieskite darbo įrankio arba ruošinio iškart po naudojimo; jie gali būti itin karšti ir nudeginti odą.
12. Be reikalo nenaudokite įrankio be apkrovos.
13. Atsižvelgdami į apdirbamą medžiagą ir darbo pobūdį, būtinai užsidėkite kaukę, saugančią nuo dulkių / respiratorių.
14. Kai kuriose medžiagose esama cheminių medžiagų, kurios gali būti nuodingos. Saugokitės, kad neįkvėptumėte dulkių ir nesiliestumėte oda. Laikykites medžiagų tiekėjo saugos duomenimis.
15. Šis įrankis nėra atsparus vandeniui, todėl nenaudokite vandens ant ruošinio paviršiaus.
16. Atlikdami šlifavimo darbus, tinkamai vėdinkite darbo patalpą.
17. Naudojant šį įrankį tam tikrų gaminių, dažų ir medžio šlifavimui, operatoriui gali kelti pavojų dulkes, kuriose yra pavojingų medžiagų. Naudokite tinkamas kvėpavimo takų apsauginės priemonės.
18. Prieš naudodami patikrinkite, ar diskas nėra įsikišęs ar sulūžęs. Įsikišimai ir lūžimai gali sužeisti.

19. Nenaudokite priedų, kurie nėra specialiai sukurti ir rekomenduojami įrankio gamintojo. Vien dėl to, kad padeda įmanoma pritaisyti prie jūsų elektrinio įrankio, tai negali užtikrinti saugios eksploatacijos.
20. Dėvėkite asmeninės apsaugos aprangą. Priklausomai nuo pritaikymo, naudokite apsauginį veido skydelį, tamsius arba apsauginius akinius. Kaip pridera, dėvėkite klausos apsaugos priemones, pirštines ir dirbtuvės prijuostę, sulaikančią smulkius abrazyvus arba ruošinio skeveldras. Akių apsauga turi sulaikyti skriejančias nuolaužas, susidariusias įvairių operacijų metu. Priešdukinė puskaukė arba respiratorius turi filtruoti dalelytes, susidariusias jums vykdant operacijas. Dėl intensyvaus ilgalaikio triukšmo galima prarasti klausą.
21. Laikykitės stebinčiuosiu toliu nuo darbo vietos. Kiekvienas, užeinantis į darbo vietą, turi dėvėti asmeninę apsaugos aprangą. Ruošinio ar sulūžusio priedo skeveldros gali nuskrieti toliau ir sužeisti asmenis už tuo metu vykdomos operacijos zonos.
22. Niekada nepadėkite šio elektrinio įrankio, kol jo priedas nėra visiškai sustojęs. Greitai besisukantis priedas gali užkabinoti paviršių ir jūs galite nebesuvaldyti elektrinio įrankio.
23. Nešant įrankį prie savo šono, jis privalo būti išjungtas. Kitaip priedas gali atsitiktinai užkabinoti jūsų drabužius ir jus sužaloti.
24. Nenaudokite elektrinio įrankio būdami netoliese degių medžiagų. Nuo kibirkščių degiosios medžiagos gali užsidegti.
25. Nenaudokite priedų, kuriems reikalingi skysti aušinimo skysčiai. Naudojant vandenį ar kitą skystį gali išitikti mirtina elektros trauma ar elektros smūgis.
26. Prieš ką nors darydami su įrankiu, visada patikrinkite, ar jis išjungtas, o laido kištukas - ištrauktas iš elektros lizdo, ir ar akumuliatorius išimtas.
27. Būtinai įsitikinkite, kad tvirtai stovite. Jei naudojate įrankį aukštai, įsitikinkite, kad apačioje nėra žmonių.
4. Jei elektrolitas pateko į akis, plaukite jas tyru vandeniu ir nedelsdami kreipkitės į gydytoją. Gali kilti regėjimo praradimo pavojus.
5. Neužtrumpinkite akumuliatoriaus kasetės:
 - (1) Nelieskite kontaktų degiomis medžiagomis.
 - (2) Venkite laikyti akumuliatoriaus kasetę kartu su kitais metaliniais daiktais, pavyzdžiui, vinimis, monetomis ir pan.
 - (3) Saugokite akumuliatoriaus kasetę nuo vandens ir lietaus.
- Trumpas jungimas akumuliatoriuje gali sukelti stiprią srovę, perkaitimą, galimus nudegimus ar net akumuliatoriaus gedimą.
6. Nelaikykite įrankio ir akumuliatoriaus kasetės vietoje, kur temperatūra gali pasiekti ar viršyti 50 °C.
7. Nedeginkite akumuliatoriaus kasetės, net jei yra stipriai pažeista ar visiškai susidėvėjusi. Ugnyje akumuliatoriaus kasetė gali sprogti.
8. Saugokite akumuliatorių nuo kritimo ir smūgių.
9. Nenaudokite pažeisto akumuliatoriaus.
10. Įdėtomis ličio jonų akumuliatorius taikomi Pavojingų prekių teisės akto reikalavimai. Komercinis transportas, pvz., trečiųjų šalių, prekių vežimo atstovų, turi laikytis specialaus reikalavimo ant pakuočių ir ženkinimo. Norėdami paruošti siūstiną prekę, pasitarkite su pavojingų medžiagų specialistu. Be to, laikykitės galimai išsamesnių nacionalinių reglamentų. Užklijuokite juosta arba padenkite atvirus kontaktus ir supakuokite akumuliatorių taip, kad jį pakuoje nejudėtų.
11. Vadovaukitės vietos įstatymais dėl akumuliatorių išmetimo.
12. Baterijas naudokite tik su „Makita“ nurodytais gaminiiais. Baterijas įdėjus į netinkamus gaminius gali kilti gaisras, gaminys pernelyg kaisti, kilti sprogimas arba pratekėti elektrolitas.

SAUGOKITE ŠIAS INSTRUKCIJAS.

▲PERSPĖJIMAS: Naudokite tik originalų „Makita“ akumuliatorių. Neoriginalaus „Makita“ arba pakeisto akumuliatoriaus naudojimas gali nulemti gaisrą, asmens sužalojimą ir pažeidimą. Tai taip pat panaikina „Makita“ suteikiamą „Makita“ įrankio ir įkroviklio garantiją.

SAUGOKITE ŠIAS INSTRUKCIJAS.

▲PERSPĖJIMAS: NELEISKITE, kad patogumas ir gaminio pažinimas (įgyjamas pakartotinai naudojant) susilpnintų griežtą saugos taisyklių, taikytinų šiam gaminiui, laikymąsi. Dėl NETINKAMO NAUDOJIMO arba saugos taisyklių nesilaikymo, kurios pateiktos šioje instrukcijoje galima rimtai susižeisti.

Svarbios saugos instrukcijos, taikomos akumuliatoriaus kasetei

1. Prieš naudodami akumuliatoriaus kasetę, perskaitykite visas instrukcijas ir perspėjimus ant (1) akumuliatorių įkroviklio, (2) akumuliatorių ir (3) akumuliatorių naudojančio gaminio.
2. Neardykite akumuliatoriaus kasetės.
3. Jei įrankio darbo laikas žymiai sutrumpėjo, nedelsdami nutraukite darbą su įrankiu. Tai gali kelti perkaitimo, nudegimų ar net sprogdimo pavojų.
1. Pakraukite akumuliatoriaus kasetę prieš jai visiškai išsikraunant. Visuomet nustokite naudoti įrankį ir pakraukite akumuliatoriaus kasetę, kai pastebite, kad įrankio galia sumažėjo.
2. Niekada nekraukite iki galo įkrautos akumuliatoriaus kasetės. Perkraunant trumpėja akumuliatoriaus eksploatacijos laikas.
3. Akumuliatoriaus kasetę kraukite esant kambario temperatūrai 10 - 40 °C. Prieš pradėdami krauti, leiskite įkaitusiai akumuliatoriaus kasetei atvėsti.
4. Įkraukite akumuliatoriaus kasetę, jei jos nenaudojate ilgą laiką (ilgiau nei šešis mėnesius).

VEIKIMO APRAŠYMAS

⚠️ PERSPĖJIMAS:

- Prieš pradėdami reguliuoti arba tikrinti įrankio veikimą, visuomet būtinai išjunkite įrankį ir išimkite akumuliatoriaus kasetę. Neišjungus įrankio ir neištraukus akumuliatoriaus kasetės, galima sunkiai susižeisti dėl atsitiktinio įrankio įjungimo.

Akumuliatoriaus kasetės uždėjimas ir nuėmimas

- **Pav.1:** 1. Mygtukas 2. Raudonas indikatorius 3. Akumuliatoriaus kasetė

⚠️ PERSPĖJIMAS:

- Prieš įdėdami arba išimdami akumuliatoriaus kasetę, visada išjunkite įrankį.
- Įdėdami arba išimdami akumuliatoriaus kasetę, tvirtai laikykite įrankį ir akumuliatoriaus kasetę. Jeigu įrankį ir akumuliatoriaus kasetę laikysite netvirtai, jie gali išskysti iš jūsų rankų ir sąlygoti įrankio bei akumuliatoriaus kasetės gedimą ir vartotojo sužalojimą.

Jei norite išimti akumuliatoriaus kasetę, ištraukite ją iš įrankio, stumdami mygtuką, esantį kasetės priekyje. Jeigu norite įdėti akumuliatoriaus kasetę, sutapdinkite liežuvelį ant akumuliatoriaus kasetės su grioveliu korpuso ir įstumkite į skirtą vietą. Įdėkite iki galo, kol spragtelėdama užsifiksuos. Jeigu matote raudoną indikatorius viršutinėje mygtuko pusėje, ji nėra visiškai užfiksuota.

⚠️ PERSPĖJIMAS:

- Akumuliatoriaus kasetę visada įkiškite iki galo, kol nebematysite raudono indikatorius. Priešingu atveju ji gali atsitiktinai iškristi iš įrankio, sužeisti jus ar aplinkinius.
- Nekiškite akumuliatoriaus kasetės į jėgą. Jeigu kasetė sunkiai lenda, ji kišama netinkamai.

Akumuliatoriaus apsaugos sistema (ličio jonų akumuliatorius su žvaigždutės ženklų)

- **Pav.2:** 1. Žvaigždutės ženklas

Ličio jonų akumuliatoriuose su žvaigždutės ženklų būna įrengta apsaugos sistema. Ši sistema automatiškai atjungia įrankio maitinimą, kad akumuliatorius tarnautų ilgiau. Įrankis automatiškai išsijungs darbo metu, esant vienai iš šių įrankio ir (arba) akumuliatoriaus darbo sąlygų:

- Perkrautas:

Įrankis naudojamas taip, kad jame neįprastai padidėja elektros srovė.

Tokiu atveju pastumkite įrankio stumdomą jungiklį išjungimo padėties „O (OFF)“ link ir nutraukite darbą, dėl kurio kilo įrankio perkrova. Jeigu įrankį vėl norite įjungti, pastumkite stumdomą jungiklį įjungimo padėties „I (ON)“ link.

Jeigu įrankis neįsijungia, reiškia perkrautas akumuliatorius. Tokiu atveju palaukite, kol akumuliatorius atvės, paskui vėl pastumkite stumdomą jungiklį įjungimo padėties „I (ON)“ link.

- Žema akumuliatoriaus įtampa:
Likusi akumuliatoriaus energija per maža ir įrankis negali veikti. Tokiu atveju išimkite akumuliatorių ir įkraukite jį.

Apsauga nuo perkaitimo

Kai įrankis būna perkrautas ir įrankio temperatūra pasiekia tam tikrą lygį, įrankis automatiškai išsijungia. Tokiu atveju palaukite, kol įrankis atvės, o paskui vėl įjunkite įrankį.

Likusios akumuliatoriaus galios rodymas

Tik akumuliatoriaus kasetėms su indikatoriumi

- **Pav.3:** 1. Indikatorius lemputės 2. Tikrinimo mygtukas

Paspauskite akumuliatoriaus kasetės tikrinimo mygtuką, kad būtų rodoma likusi akumuliatoriaus energija. Maždaug trims sekundėms užsidegs indikatorius lemputės.

Indikatorių lemputės			Likusi galia
Šviečia	Nešviečia	Blyksi	
			75 - 100 %
			50 - 75 %
			25 - 50 %
			0 - 25 %
			Įkraukite akumuliatorių.
			Galimai įvyko akumuliatoriaus veikimo triktis.

PASTABA: Rodmuo gali šiek tiek skirtis nuo faktinės energijos lygio – tai priklauso nuo naudojimo sąlygų ir aplinkos temperatūros.

Jungiklio veikimas

- **Pav.4:** 1. Stumdomas jungiklis

⚠️ PERSPĖJIMAS:

- Prieš įdėdami akumuliatoriaus kasetę į įrankį, visada patikrinkite, ar įrenginys yra išjungtas.

Norėdami įjungti įrankį, pastumkite stumdomą jungiklį įjungimo padėties „I (ON)“ link.

Norėdami įrankį išjungti, pastumkite stumdomą jungiklį išjungimo padėties „O (OFF)“ link.

Sukimosi greičio reguliavimas

► Pav.5: 1. Ratukas

Sukimosi greitį galima reguliuoti. Norėdami pakeisti sukimosi greitį, sukite ratuką nuo 1 iki 6. Didėnis skaičius reiškia didesnį sukimosi greitį. Nustatykite ratuką ties savo ruošiniui apdirbti tinkamu skaičiumi.

PASTABA:

- Ratuko negalima tiesiogiai nustatyti iš padėties 1 į padėtį 6 arba iš padėties 6 į padėtį 1. Sukant ratuką jėga, galima sugadinti įrankį. Keisdami ratuko sukimo kryptį, ratuką visada sukite pro kiekvieną tarpinį skaičių.

Indikacinė lemputė

► Pav.6: 1. Indikatoriaus lemputė

- Kai akumulatoriaus energija pradeda sekti, pradeda žybcioti kontrolinė lemputė.
- Kai dirbant akumulatoriaus energija ženkliai sumažėja, įrankis išsijungia ir maždaug 10 sekundžių šviečia kontrolinė lemputė.

Tokiu atveju ištraukite akumulatoriaus kasetę iš įrankio ir įkraukite ją.

SURINKIMAS

▲ PERSPĖJIMAS:

- Prieš darydami ką nors įrankiui visada patikrinkite, ar įrenginis išjungtas, o akumuliatorių kasetę - nuimta.

Darbo įrankio (pasirenkamo priedo) uždėjimas ir nuėmimas

▲ PERSPĖJIMAS:

- Neuždėkite darbo įrankio apverstai. Uždėjus darbo įrankį apverstai, galima sugadinti įrankį ir sunkiai susižeisti.
- Dėkite darbo įrankį tinkama kryptimi, atsižvelgdami į atliekamą darbą. Darbo įrankį galima montuoti bet koku 30 laipsnių kampu.

▲ PERSPĖJIMAS:

- Būkite atsargūs, uždarydami fiksavimo svirtį. Fiksavimo svirtis gali staigiai užsidaryti ir prispausti pirštą.
- Retkarčiais nuvalykite dulkes nuo fiksavimo svirties judamosios dalies ir patepkite ją tepalu. Antraip fiksavimo svirties judamojoje dalyje gali susikaupti dulkių, kurios gali trukdyti jai sklandžiai judėti.
- Nejunkite įrankio, kol svirtis atsidaro. Įrankis galis sugesti.

1. Visiškai atidarykite fiksavimo svirtį. Išsukite laikiklio varžtą.

► Pav.7: 1. Laikiklio varžtas 2. Fiksavimo svirtelė

2. Dėkite darbo įrankį (pasirenkamą priedą) ant įrankio jungės taip, kad įrankio jungės iškyšos būtų įkištos į darbo įrankyje esančias angas.

► Pav.8: 1. Laikiklio varžtas 2. Darbo įrankyje esančios angos 3. Ant įrankio antrbriaunio esančios iškyšos

3. Įkiškite laikiklio varžtą iki pat galo. Po to sugrąžinkite fiksavimo svirtį į jos pradinę padėtį.

► Pav.9

Jeigu naudojate šlifavimo darbo įrankį, darbo įrankį ant šlifavimo pado dėkite taip, kad jis atitiktų šlifavimo pado sukimosi kryptį.

Šlifavimo padas turi kabliuko ir kilputės tipo tvirtinimo sistemą, kuri leidžia lengvai ir greitai pritvirtinti šlifavimo popierių.

Kadangi šlifavimo popierius turi angas dulkių ištraukimui, šlifavimo popierių dėkite taip, kad šios šlifavimo popieriaus angos sutaptų su šlifavimo pado esančiomis angomis.

Norėdami nuimti šlifavimo popierių, pakelkite jo galą ir nuplėškite jį.

Jeigu norite išsukti laikiklio varžtą, atlikite montavimo veiksmus atvirkščia eilės tvarka.

► Pav.10: 1. Suderintuvas

Naudodami darbo įrankius, turinčius skirtingų tipų montavimo dalis, naudokite tinkamą adapterį (pasirenkamą priedą).

NAUDOJIMAS

▲ PERSPĖJIMAS:

- Prieš jungdami įrankį ir jį naudodami, rankas ir veidą laikykite atokiai nuo darbo įrankio.

▲ PERSPĖJIMAS:

- Neperkraukite įrankio, nes dėl pernelyg didelės apkrovos gali sustoti varikis ir įrankis gali išsijungti.

Pjaustymas, pjovimas ir grandymas

▲ PERSPĖJIMAS:

- Nestumkite įrankio jėga įrankio veikimo kryptimi (pvz., bet kurio šono link), kai nėra pjovimo krašto. Antraip įrankis gali būti sugadintas.

► Pav.11

Dėkite darbo įrankį ant ruošinio.

Paskui slinkite įrankį į priekį taip, kad darbo įrankio judėjimo greitis nemažėtų.

PASTABA:

- Naudojant jėgą arba pernelyg spaudžiant įrankį, gali sumažėti darbo efektyvumas.
- Prieš pradėdami pjauti, sukimosi greitį rekomenduojama 4–6 padėtyse.
- Tinkamai pašalinkite pjuvenas, naudodami ištraukimo įrankį. Taip padidinsite darbo našumą.
- Pjaunant ilgą tiesią liniją, rekomenduojama naudoti apvalų diską.

Šlifavimas

▲ PERSPĖJIMAS:

- Šlifavimo popieriaus, naudoto metalui šlifuoti, nenaudokite medienai šlifuoti.
- Nenaudokite nutrinto šlifavimo popieriaus arba šlifavimo popieriaus be smėlio.

► Pav.12

Pridėkite šlifavimo popierių prie ruošinio.

PASTABA:

- Rekomenduojama atlikti bandymą ant nereikalingo ruošinio, kad galima būtų nustatyti tinkamą sukimosi greitį, tinkamą jūsų darbui atlikti.
- Naudokite vienodo šurkštumo šlifavimo popierių, kol nušlifuosite visą ruošinį. Pakeitus šlifavimo popierių kitokio šurkštumo šlifavimo popieriumi, apdaila gali būti atlikta netinkamai.

Dulkių ištraukimo priedas (pasirenkamas priedas)

► **Pav.13:** 1. Antgalio laikiklis 2. Dulkių surenkamasis antgalis 3. Dulkių įtaiso priedas 4. Fetrinis žiedas 5. Kilimėlis 6. Laikiklio varžtas 7. Įrankyje esančios angos 8. Ant antgalio laikiklio esančios iškyšos

- Sumontuokite dulkių antgalius ir dulkių įtaiso priedą.
- Antgalio laikiklį ant įrankio dėkite taip, kad jo iškyšos įsitaisytų įrankyje esančiose angose ir jį įtvirtintų.
- Dėkite fetrinį žiedą ir šlifavimo padą ant dulkių įtaiso priedo, o paskui priveržkite juos darbo įrankio montavimo varžtu.

► Pav.14

Norėdami atlikti švarią pjovimo operaciją, prie šio įrankio prijunkite dulkių siurbį. Prijunkite dulkių siurblio žarną prie dulkių ištraukimo priedo (pasirenkamo priedo).

TECHNINĖ PRIEŽIŪRA

▲ PERSPĖJIMAS:

- Visuomet įsitikinkite, kad įrankis yra išjungtas ir akumuliatoriaus kasetė yra nuimta prieš atliekant apžiūrą ir priežiūrą.
- Niekada nenaudokite gazolino, benzino, tirpiklio, spirito arba panašių medžiagų. Gali atsirasti išblukimų, deformacijų arba įtrūkimų.

Kad gaminyt būtų SAUGUS ir PATIKIMAS, jį taisyti, apžiūrėti, keisti anglinius šepetėlius, atlikti techninės priežiūros darbus arba reguliuoti turi įgaliotasis kompanijos „Makita“ techninės priežiūros centras; reikia naudoti tik tai kompanijos „Makita“ pagamintas atsargines dalis.

PASIRENKAMI PRIEDAI

▲ PERSPĖJIMAS:

- Su šiame vadove aprašytu įrenginiu „Makita“ rekomenduojama naudoti tik nurodytus priedus ir papildomus įtaisus. Jeigu bus naudojami kito-kie priedai ar papildomi įtaisai, gali būti sužaloti žmonės. Priedus arba papildomus įtaisus naudokite tik pagal paskirtį.

Jeigu norite daugiau sužinoti apie tuos priedus, kreipkitės į artimiausią „Makita“ techninės priežiūros centrą.

- Segmentinis pjovimo diskas
- Apskritas pjovimo diskas
- Įleidžiamųjų pjūvių pjovimo diskas
- Grandiklis (standus)
- Grandiklis (lankstus)
- Dantytas segmentinis diskas
- Paprastas sujungimų pjoviklis
- HM šalintuvas
- HM segmentinis pjovimo diskas
- HM šlifavimo plokštelė
- Deimantinis segmentinis pjovimo diskas
- Šlifavimo padas
- Adapteris
- Šlifavimo popierius „Delta“ (raudonas / baltas / juodas)
- Multinas „Delta“ (vidutinio šurkštumo / šurkštus / be smėlio)
- Poliravimo fetras „Delta“
- Šešiakampis veržliaraktis
- Dulkių ištraukimo priedas
- Originalus „Makita“ akumulatorius ir kroviklis

PASTABA:

- Kai kurie sąrašė esantys priedai gali būti pateikti įrankio pakuotėje kaip standartiniai priedai. Jie įvairiose šalyse gali skirtis.

TEHNILISED ANDMED

Mudel	DTM41	DTM51
Võnkumiste arv ühe minuti kohta	6 000 - 20 000 (min ⁻¹)	
Võnkenurk, vasak/parem	1,6 ° (kokku 3,2 °)	
Kogupikkus	326 - 340 mm	
Netomass	1,9 - 2,3 kg	2,0 - 2,4 kg
Nimipinge	Alalisvool 14,4 V	Alalisvool 18 V

- Meie pideva uuringu- ja arendusprogrammi tõttu võidakse tehnilisi andmeid muuta ilma sellest ette teatamata.
- Tehnilised andmed võivad riigiti erineda.
- Kaal võib erineda olenevalt lisaseadistest, kaasa arvatud akukassetist. Kergeim ja raskeim kombinatsioon EPTA-protseduuri 01/2014 kohaselt on toodud tabelis.

Sobiv akukassett ja laadija

Akukassett	Alalisvool 14,4 V mudel	BL1415N / BL1430 / BL1430B / BL1440 / BL1450 / BL1460B
	Alalisvool 18 V mudel	BL1815N / BL1820 / BL1820B / BL1830 / BL1830B / BL1840 / BL1840B / BL1850 / BL1850B / BL1860B
Laadija	DC18RC / DC18RD / DC18RE / DC18SD / DC18SE / DC18SF	

- Mõned eespool loetletud akukassetid ja -laadijad ei pruugi olla teie riigis saadaval.

⚠ HOIATUS: Kasutage ainult ülalpool loetletud akukassette ja laadijaid. Muude akukassettide ja laadijate kasutamine võib tekitada vigastusi ja/või tulekahju.

Kasutusotstarve

Tööriist on ette nähtud puidu, plasti, kipsi, mitteraudmetallide (värviliste metallide) ja kinnitusvahendite (nt kõvendamata naelad ja klambrid) saagimiseks ja lõikamiseks. See on mõeldud ka pehmete seinaplaatide töötlemiseks, samuti väikeste pindade kuivlihvimiseks ja poleerimiseks. See sobib eriti hästi servade lähedal töötamiseks ja sukelduslõikamiseks.

Müra

Tüüpiline A-korrigeeritud müratase vastavalt EN62841:

Töörežiim: lihvimine

Mudel DTM41

Mürarõhutase (L_{pA}): 76 dB (A)

Määramatus (K): 3 dB (A)

Müratase töötamisel võib ületada 80 dB (A).

Mudel DTM51

Mürarõhutase (L_{pA}): 77 dB (A)

Määramatus (K): 3 dB (A)

Müratase töötamisel võib ületada 80 dB (A).

Töörežiim: lõikamine vertikaallettenihkega saekettaga

Mudel DTM41

Mürarõhutase (L_{pA}): 80 dB (A)

Müravõimsustase (L_{WA}): 91 dB (A)

Määramatus (K): 3 dB (A)

Mudel DTM51

Mürarõhutase (L_{pA}): 81 dB (A)

Müravõimsustase (L_{WA}): 92 dB (A)

Määramatus (K): 3 dB (A)

Töörežiim: lõikamine segmentsaekettaga

Mudel DTM41

Mürarõhutase (L_{pA}): 77 dB (A)

Määramatus (K): 3 dB (A)

Müratase töötamisel võib ületada 80 dB (A).

Mudel DTM51

Mürarõhutase (L_{pA}): 76 dB (A)

Määramatus (K): 3 dB (A)

Müratase töötamisel võib ületada 80 dB (A).

Töörežiim: kaapimine

Mudel DTM41

Mürarõhutase (L_{pA}): 78 dB (A)

Määramatus (K): 3 dB (A)

Müratase töötamisel võib ületada 80 dB (A).

Mudel DTM51

Mürarõhutase (L_{pA}): 80 dB (A)

Müravõimsustase (L_{WA}): 91 dB (A)

Määramatus (K): 3 dB (A)

Kandke kõrvakaitsmeid

Vibratsioon

Vibratsiooni koguväärtus (kolmeteljeliste vektorite summa) määratud vastavalt EN62841:

Mudel DTM41

Töörežiim: lihvimine

Vibratsioonitase (a_n): 3,0 m/s²

Määramatus (K): 1,5 m/s²

Mudel DTM51

Töörežiim: lihvimine

Vibratsioonitase (a_n): 3,0 m/s²

Määramatus (K): 1,5 m/s²

Mudel DTM41

Töörežiim: löikamine vertikaallettenihkega saekettaga

Vibratsioonitase (a_n): 7,0 m/s²

Määramatus (K): 1,5 m/s²

Mudel DTM51

Töörežiim: löikamine vertikaallettenihkega saekettaga

Vibratsioonitase (a_n): 7,0 m/s²

Määramatus (K): 1,5 m/s²

Mudel DTM41

Töörežiim: löikamine segmentidega saekettaga

Vibratsioonitase (a_n): 4,5 m/s²

Määramatus (K): 1,5 m/s²

Mudel DTM51

Töörežiim: löikamine segmentidega saekettaga

Vibratsioonitase (a_n): 4,5 m/s²

Määramatus (K): 1,5 m/s²

Mudel DTM41

Töörežiim: poleerimine

Vibratsioonitase (a_n): 5,0 m/s²

Määramatus (K): 1,5 m/s²

Mudel DTM51

Töörežiim: poleerimine

Vibratsioonitase (a_n): 5,5 m/s²

Määramatus (K): 1,5 m/s²

MÄRKUS: Deklareeritud vibratsiooniemissiooni väärtus on mõõdetud kooskõlas standardse testimismeetodiga ning seda võib kasutada ühe seadme võrdlemiseks teisega.

MÄRKUS: Deklareeritud vibratsiooniemissiooni väärtust võib kasutada ka mürataseme esmaseks hindamiseks.

⚠️HOIATUS: Vibratsioonitase võib elektritööriista tegelikkuses kasutamise ajal erineda deklareeritud väärtusest sõltuvalt tööriista kasutamise viisidest.

⚠️HOIATUS: Rakendage kindlasti operaatori kaitsmiseks piisavaid ohutusabinõusid, mis põhinevad hinnangulisel müratasemel tegelikul töösituatsioonis (võttes arvesse tööperioodi kõik osad nagu näiteks korrad, mil seade lülitatakse välja ja mil seade töötab tühikäigul, lisaks tööajale).

EÜ vastavusdeklaratsioon

Ainult Euroopa riikide puhul

EÜ vastavusdeklaratsioon sisaldub käesoleva juhendi Lisas A.

Üldised elektritööriistade ohutushoiatused

⚠️HOIATUS: Lugege läbi kõik selle elektritööriistaga kaasas olevad ohutushoiatused, juhised, joonised ja tehnilised andmed. Järgnevate juhiste eiramine võib põhjustada elektrilöögi, süttimise ja/või raske kehavigastuse.

Hoidke edaspidisteks viideteks alles kõik hoiatused ja juhtnöörid.

Hoiatuses kasutatud termini „elektritööriist“ all peetakse silmas elektriga töötavaid (juhtmega) elektritööriistu või akuga töötavaid (juhtmata) elektritööriistu.

JUHTMETA UNIVERSAALTÖÖRIISTA OHUTUSHOIATUSED

1. Antud elektritööriist on ette nähtud saagimiseks, löikamiseks, lihvimiseks ja poleerimiseks. Lugege kõiki ohutushoiatusi, juhiseid, illustreerimisi ja spetsifikatsioone, mis selle elektritööriistaga kaasa anti. Kõikidest allpool loetletud juhistest mitte kinnipidamine võib põhjustada elektrišoki, tulekahju ja/või tõsiseid vigastusi.
2. Hoidke elektritööriistu isoleeritud haardepindadest, kui töötate kohas, kus lõiketera võib sattuda kokkupuutesse varjatud juhtmatega. Pingestatud juhtmega kokkupuutesse sattunud lõiketera võib pingestada elektritööriista metalloosi, mille tagajärjel võib seadme kasutaja saada elektrilöögi.
3. Kasutage klambreid või muid otstarbekohaseid vahendeid töödeldava detaili kinnitamiseks ja toetamiseks stabiilsele alusele. Töödeldava detaili hoidmine käte abil või vastu oma keha jätab selle ebakindlasse asendisse ja võib põhjustada kontrolli kaotamise.
4. Kasutage alati kaitseprille või ohutusprille. Tavised prillid või päikesepillid EI OLE kaitseprillid.
5. Vältige naeltesse sisselõikamist. Kontrollige, kas töödeldavas detailis on naelu ja eemaldage need enne tööoperatsiooni teostamist.
6. Hoidke tööriista kindlalt käes.
7. Veenduge, et rakenduse tööriist ei puuduta töödeldavat detaili enne lülitamist.
8. Hoidke käed liikuvatest osadest eemal.
9. Ärge jätke tööriista käima. Käivitage tööriist ainult siis, kui hoiate seda käes.
10. Enne lõiketera eemaldamist töödeldavast detailist lülitage tööriist alati vooluvõrgust välja ja oodake, kuni lõiketera on lõplikult seiskunud.
11. Ärge puutuge rakenduse tööriista ega töödeldavat detaili vahetult peale puurimist; need võivad olla väga kuumad ja põhjustada põletushaavu.
12. Ärge käitage tööriista tarbetult koormamata olekus.
13. Kasutage alati õiget tolumaski/respiraatorit, mis vastab materjalile ja rakendusele, millega töötate.
14. Mõned materjalid võivad sisaldada mürgiseid aineid. Rakendage meetmeid tolmu sissehingamise ja nahaga kokkupuute vältimiseks. Järgige materjali tarnija ohutusalasest teavet.
15. Tööriist ei ole veekindel, seetõttu ärge kasutage töödeldava detaili pinnal vett.
16. Lihvimise teostamisel ventileerige piisavalt oma tööpiirkonda.
17. Tööriista kasutamine teatud toodete, värvikihide ja puidu lihvimisel võib kasutaja jätta ohtlikke aineid sisaldava tolmu kätte. Kasutage sobivaid hingamisteede kaitsevahendeid.
18. Enne kasutamist veenduge, et lihvketal pole pragusid ning see pole murdunud. Praod või murdumine võivad põhjustada kehavigastuse.

19. Ärge kasutage tarvikuid, mis pole tootja poolt selle tööriista jaoks spetsiaalselt välja töötatud. Tarviku elektritööriista kinnitamise võimalus ei taga veel sellele ohutut tööd.
20. Kandke isikukaitsevahendeid. Olenevalt teostatavast tööst kandke näokaitset, ohutusprille või kaitseprille. Vajaduse korral kandke kõrvaklappe, kaitsekindaid ja tööpõlle, mis kaitseb teid lihvimispuru ja töödeldava detaili kildude eest. Kaitseprillid peavad suutma tõkestada erinevate operatsioonide käigus tekkinud lenduvat prügi. Tolmumask või respiraator peavad suutma filtreerida töö käigus tekkinud osakesi. Pikaajaline viibimine kõrge intensiivsusega müra käes võib põhjustada kuulmise halvenemist.
21. Hoidke kõrvalseisjad tööalast turvalises kauguses. Kõik, kes sisenevad tööalasse, peavad kandma kaitsevarustust. Töödeldava detaili või tarvikute osakesed võivad eemale lennata ja põhjustada vigastusi ka väljaspool vahetut tööala.
22. Ärge pange elektritööriista kunagi maha enne, kui tarviku liikumine pole täielikult peatunud. Pöörlev tarvik võib pinnal liikumist jätkata, põhjustades elektritööriista väljumise teie kontrolli alt.
23. Ärge käitage elektritööriista sel ajal, kui kannate seda. Juhuslik kokkupuude tarvikuga võib põhjustada riietuse kinnijäämise selle külge, tõmmates tarviku teie kehasse.
24. Ärge kasutage seadet tuleohtlike materjalide lähedal. Need materjalid võivad sädemetest süttida.
25. Ärge kasutage tarvikuid, mis nõuavad jahutusvedelikke. Vee või teiste vedelate jahutusvahendite kasutamine võib põhjustada surmava elektrilöögi või -soki.
26. Kandke alati hoolt selle eest, et tööriist oleks enne igasuguseid hooldustöid välja lülitatud ja akukassett eemaldatud.
27. Veenduge alati, et teie jalgealune oleks kindel. Kui töotate kõrguses, siis jälgige, et teist allpool ei viibiks inimesi.
4. Kui elektrolüüti satub silma, siis loputage silma puhta veega ja pöörduge koheselt arsti poole. Selline õnnetus võib põhjustada pimedaksjäämist.
5. Ärge tekitage akukassettis lühist:
 - (1) Ärge puutuge klemme elektrijuhtidega.
 - (2) Ärge hoidke akukassetti tööriistakasti koos metallsemetega, nagu naelad, mündid jne.
 - (3) Ärge tehke akukassetti märjaks ega jätke seda vilma kätte.

Aku lühis võib põhjustada tugevat elektrivoolu, ülekuumenemist, põletusi ning ka seadet tõsiselt kahjustada.

6. Ärge hoidke tööriista ja akukassetti kohtades, kus temperatuur võib tõusta üle 50 °C.
7. Ärge põletage akukassetti isegi siis, kui see on saanud tõsiselt vigastada või on täiesti kulunud. Akukassett võib tules plahvatada.
8. Olge ettevaatlik, ärge laske akul maha kukkuda ja vältige lööke.
9. Ärge kasutage kahjustatud akut.
10. Sisalduvatele liitium-ioonakudele võivad kohaldada ohtlike kaupade õigusaktide nõuded. Kaubanduslikul transportimisel, näiteks kolmandate poolte või transpordiettevõtete poolt, tuleb järgida pakendil ja siltidel toodud erinõudeid. Transportimiseks ettevalmistamisel on vajalik pidada nõu ohtliku materjali eksperdiga. Samuti tuleb järgida võimalike riiklike regulatsioonide üksikasjalikumaid nõudeid. Katke teibiga või varjake avatud kontaktid ja pakendage aku selliselt, et see ei saaks pakendis liikuda.
11. Järgige kasutuskõlbatuks muutunud aku käitlemisel kohalikke eeskirju.
12. Kasutage akusid ainult Makita heaks kiidetud toodetega. Akude paigaldamine selleks mitte ettenähtud toodetele võib põhjustada süttimist, ülemäärast kuumust, plahvatamist või elektrolüüdi lekkimist.

HOIDKE JUHEND ALLES.

⚠ HOIATUS: ÄRGE laske mugavusel või toote kasutamisharjumustel (mis on saadud korduva kasutuse jooksul) asendada vankumatut toote ohutuseeskirjade järgimist. VALE KASUTUS võib käesoleva kasutusjuhendi ohutusnõuete eiramine võib põhjustada tõsiseid vigastusi.

Akukassettiga seotud olulised ohutusjuhised

1. Enne akukassetti kasutamist lugege (1) akulaadid, (2) akul ja (3) seadmel olevad juhtnöörid ja hoiatused läbi.
2. Ärge võtke akukassetti lahti.
3. Kui tööaeg järsult lüheneb, siis lõpetage kohe kasutamine. Edasise kasutamise tulemuseks võib olla ülekuumenemisoht, võimalikud põletused või isegi plahvatus.

HOIDKE JUHEND ALLES.

⚠ ETTEVAATUST: Kasutage ainult Makita originaalakusid. Mitte Makita originaalakude või muudetud akude kasutamine võib põhjustada akude süttimise, kehavigastuse ja kahjustuse. Samuti muudab see kehtetuks Makita tööriista ja laadija Makita garantii.

Vihjeid aku maksimaalse kasutaja tagamise kohta

1. Laadige akukassetti enne selle täielikku tühjenemist. Kui märkate, et tööriist töötab väiksema võimsusega, peatage töö ja laadige akukassetti.
2. Ärge laadige täielikult laetud akukassetti. Ülelaadimine lühendab akude kasutusiga.
3. Laadige akukassetti toatemperatuuril 10 °C - 40 °C. Enne laadimist laske kuunenud akukassetti maha jahtuda.
4. Kui te ei kasuta akukassetti kauem kui kuus kuud, laadige see.

FUNKSIONAALNE KIRJELDUS

⚠ HOIATUS:

- **Kandke alati hoolt selle eest, et tööriist oleks enne selle reguleerimist või talitluse kontrollimist välja lülitatud ning akukassett eemaldatud.** Kui tööriist ei ole välja lülitatud ja akukassett ei ole eemaldatud, võib see lõppeda ootamatust käivitumisest põhjustatud tõsise vigastusega.

Akukasseti paigaldamine või eemaldamine

► **Joon.1:** 1. Nupp 2. Punane näidik 3. Akukassett

⚠ ETTEVAATUST:

- Lülitage tööriist alati enne akukasseti paigaldamist või eemaldamist välja.
- **Hoidke tööriista ja akukassetti kindlalt käes, kui paigaldate või eemaldate akukassetti.** Kui eirata nõuet tööriista ja akukassetti hoidmise kohta, võivad need käest libiseda ja maha kukkudes puruneda ja põhjustada kehavigastusi.

Akukasseti eemaldamiseks libistage see tööriista küljest lahti, vajutades kasseti esiküljel paiknevat nuppu alla. Akukasseti paigaldamiseks joondage akukasseti keel korpuse soonega ja libistage kassett oma kohale. Paigaldage kassett alati nii kaugelt, et see lukustuks klõpsatusega oma kohale. Kui näete nupu ülaosas punast osa, pole kassett täielikult lukustunud.

⚠ ETTEVAATUST:

- Paigaldage akukassett alati täies ulatuses nii, et punast osa ei jääks näha. Vastasel korral võib kassett tööriistast välja kukkuda ning vigastada Teid või läheduses viibivaid isikuid.
- Ärge rakendage jõudu akukasseti paigaldamisel. Kui kassett ei lähe kergesti sisse, pole see õigesti paigaldatud.

Aku kaitsesüsteem (tähe märgisega liitiumioonaku)

► **Joon.2:** 1. Tähe märgis

Tähe märgisega liitiumioonakud on varustatud kaitsesüsteemiga. Süsteem lülitab tööriista toitevoolu automaatselt välja, et pikendada aku eluiga.

Tööriist seiskub käitamise ajal automaatselt, kui tööriista ja/või aku kohta kehtivad järgmised tingimused.

- Ülekoormus.

Tööriista kasutatakse viisil, mis põhjustab toitevoolu tugevuse tõusu lubatust kõrgemale. Sellisel juhul libistage tööriista liugurlüliti asendi „O“ (VÄLJAS) poole ja lõpetage töö, mis põhjustas tööriista ülekoormuse. Taaskäivitamiseks libistage liugurlüliti uuesti asendi „I“ (SEES) poole. Kui tööriist ei käivitu, on aku üle kuumenenud. Sellisel juhul laske akul maha jahtuda enne, kui libistate liugurlüliti uuesti asendi „I“ (SEES) poole.

- Madal akupinge.

Aku jääkmahutvus on liiga väike ja tööriist ei hakka tööle. Sellisel juhul eemaldage aku ja laadige seda.

Ülekoormemiskaitse

Kui tööriist on ülekoormatud ja tööriista temperatuur on saavutanud teatud taseme, siis tööriist seiskub automaatselt. Sellises olukorras laske tööriistal enne selle uuesti sisselülitamist maha jahtuda.

Aku jääkmahutavuse näit

Ainult näidikuga akukassettidele

► **Joon.3:** 1. Märgulambid 2. Kontrollimise nupp

Akukasseti järelejäädud mahutavuse kontrollimiseks vajutage kontrollimise nuppu. Märgulambid süttivad mõneks sekundiks.

Märgulambid			Jääkmahutavus
Pöleb	Ei pöle	Vilgub	
			75 - 100%
			50 - 75%
			25 - 50%
			0 - 25%
			Laadige akut.
			Akul võib olla tõrge.

MÄRKUS: Näidatud mahutavus võib veidi erineda tegelikust mahutavusest olenevalt kasutustingimustest ja ümbritseva keskkonna temperatuurist.

Lüliti funktsioneerimine

► **Joon.4:** 1. Liugurlüliti

⚠ ETTEVAATUST:

- Kontrollige alati enne akukasseti paigaldamist, et tööriist oleks välja lülitatud.

Tööriista käivitamiseks libistage liugurlüliti asendi „I“ (SEES) suunas.

Tööriista seiskamiseks libistage liugurlüliti asendi „O“ (VÄLJAS) suunas.

Ringikujulise liikumise kiiruse reguleerimine

► Joon.5: 1. Valimisketas

Ringikujulise liikumise kiirus on reguleeritav. Ringikujulise liikumise kiiruse muutmiseks keerake valimisketast 1 ja 6 vahel. Mida suurem on number, seda suurem on ringikujulise liikumise kiirus. Seadke valimisketas enne töö alustamist töödeldava detaili jaoks sobivale numbrile.

MÄRKUS:

- Valimisketast ei saa keerata otse numbrilt 1 numbrile 6 ja numbrilt 6 numbrile 1. Valimisketta suhtes jõu rakendamine võib kahjustada tööriista. Valimisketta suuna muutmisel keerake ketast alati niimoodi, et läbite kõiki vahepealseid numbreid.

Märgutuli

► Joon.6: 1. Märgutuli

- Aku tühjenemisel hakkab indikaatorlamp vilkuma.
- Kui aku laetuse tase on väga madal, siis tööriist seiskub ja indikaatorlamp jääb umbes kümneks sekundiks põlema.

Sellisel juhul eemaldage akukassett tööriistast ja laadige seda.

KOKKUPANEK

⚠ETTEVAATUST:

- Kandke alati hoolt selle eest, et tööriist oleks enne igasuguseid hooldustöid välja lülitatud ja akukassett eemaldatud.

Rakenduse tööriista (valikuline lisavarustus) paigaldamine või eemaldamine

⚠HOIATUS:

- Ärge paigaldage rakenduse tööriista tagurpidi. Rakenduse tööriista paigaldamine tagurpidi võib kahjustada tööriista ja põhjustada raske kehavigastuse.
- Paigaldage rakenduse tööriist õiges suunas vastavalt oma tööle. Rakenduse tööriista saab paigaldada iga 30-kraadise nurga all.

⚠ETTEVAATUST:

- Olge lukustushoova sulgemisel ettevaatlik. Lukustushoob võib äkitselt sulguda ja teie sõrme pigistada.
- Eemaldage lukustushoovalt aeg-ajalt tolm ja määrige selle liikuvat osa. Vastasel juhul võib tolm koguneda lukustushoova liikuvale osale ja takistada selle sujuvat liikumist.
- Ärge käivitage tööriista sel ajal, kui hoob on avatud. See võib tööriista kahjustada.

- Avage lukustushoob täielikult. Eemaldage hoidiku polt.

► Joon.7: 1. Hoidiku polt 2. Lukustushoob

- Paigaldage rakenduse tööriist (valikuline lisatarvik) tööriista äärikule selliselt, et tööriista ääriku eenduvad osad asetuvad rakenduse tööriistas olevatesse avadesse.

► Joon.8: 1. Hoidiku polt 2. Rakenduse tööriistas olevad augud 3. Tööriista ääriku eenduvad osad

- Lükake hoidiku polt lõpuni sisse. Seejärel viige lukustushoob esialgsesse asendisse tagasi.

► Joon.9

Kui kasutate lihvimisrakenduse tööriista, kinnitage rakenduse tööriist lihttalla külge niimoodi, et see ühtib lihttalla suunaga.

Lihvtallal on takjakinnitussüsteem, mis võimaldab lihv-paberi hõlpsat ja kiiret paigaldamist.

Lihvtallal on takjakinnitussüsteem, mis võimaldab lihv-paberi hõlpsat ja kiiret paigaldamist. Kuna lihv-paberitel on augud tolmu eemaldamiseks, siis kinnitage lihv-paber selliselt, et lihv-paberis olevad augud ühtiksid lihttallas olevate aukudega. Lihv-paberi eemaldamiseks tõstke selle ots üles ja tõm- make lihv-paber lahti.

Hoidiku poldi eemaldamiseks järgige paigaldamise protseduuri vastupidises järjekorras.

► Joon.10: 1. Adapter

Kui kasutate rakenduse tööriistu, millel on erinevat tüüpi paigaldusseksioonid, siis kasutage õiget adapterit (valikuline lisatarvik).

TÖÖRIISTA KASUTAMINE

⚠HOIATUS:

- Enne tööriista käivitamist ja töötamise ajal hoidke oma käsi ja nägu rakenduse tööriistast eemal.

⚠ETTEVAATUST:

- Ärge rakendage tööriistale liiga suurt koormust, sest see võib põhjustada mootori lukustumise ja tööriista seiskumise.

Lõikamine, saagimine ja lihvimine

⚠ETTEVAATUST:

- Ärge liigutage tööriista jõuga edasi tööriista rakenduse suunas (nt mõlema külje poole), kui lõikeserv puudub. See võib tööriista kahjustada.

► Joon.11

Asetage rakenduse tööriist töödeldavale detailile. Seejärel lükake tööriista edasi niimoodi, et rakenduse tööriista liikumine ei aeglustuks.

MÄRKUS:

- Tööriistale jõu või liiga suure surve avaldamine võib vähendada jõudlust.
- Enne lõikamist on soovitatav, et seadistaksite ringikujulise liikumise kiiruse vahemikku 4–6.
- Eemaldage saepuru, tõmmates tööriista piisavalt. See suurendab töö efektiivsust.
- Saeketast soovitatakse kasutada pika sirge joone lõikamiseks.

Lihvimine**⚠ETTEVAATUST:**

- Ärge kasutage puidu lihvimiseks lihvpaperit, millega lihvisite metalli.
- Ärge kasutage kulunud või abrasiivpulbrita lihvpaperit.

► Joon.12

Pange lihvpaper vastu töödeldavat detaili.

MÄRKUS:

- Soovitame, et katsetaksite ringikujulise liikumise kiirust töödeldava detaili materjalist proovitükil, et määrata kindlaks sobiv kiirus oma töö jaoks.
- Kasutage sama teralisusega lihvpaperit seni, kuni terve töödeldav detail on lihvitud. Lihvpaperi väljavahetamine teise teralisusega lihvpaperi vastu ei pruugi tagada head viimistlust.

Tolmueemaldusseadme ühendusdetail (valikuline lisatarvik)

- Joon.13:** 1. Otsaku rihm 2. Tolmuotsak 3. Tolmueemaldusseadme ühendusdetail 4. Vildist rõngas 5. Tugiketas 6. Hoidiku polt 7. Tööriistas olevad augud 8. Eenduvad osad otsaku rihmal

- Paigaldage tolmu otsaku ja ühendusdetail.
- Paigaldage otsaku rihm tööriistale niimoodi, et selle eenduvad osad asetuksid selle kinnitamiseks tööriistas olevatesse aukudesse.
- Paigaldage vildist rõngas ja lihtald tolmueemaldusseadme ühendusdetaili külge ja seejärel kinnitage need rakenduse tööriista paigalduspoldiga.

► Joon.14

Kui soovite puhtamalt töötada, ühendage tööriista külge tolmuimeja. Ühendage tolmuimeja volik tolmueemaldusseadme (valikuline lisavarustus) ühendusdetaili külge.

HOOLDUS**⚠ETTEVAATUST:**

- Kandke alati enne kontroll- või hooldustoimingute teostamist hoolt selle eest, et tööriist oleks välja lülitatud ja akukassett korpuse küljest eemaldatud.
- Ärge kunagi kasutage bensini, vedeldit, alkoholi ega midagi muud sarnast. Selle tulemuseks võib olla luitumine, deformatsioon või pragunemine.

Toote OHUTUSE ja TÖÖKINDLUSE säilimiseks tuleb vajalikud remonttööd, süsiharja kontrollimine ja väljavahetamine ning muud hooldus- ja reguleerimistööd lasta teha Makita volitatud teeninduskeskustes. Alati tuleb kasutada Makita varuosi.

VALIKULISED TARVIKUD**⚠ETTEVAATUST:**

- Neid tarvikuid ja lisaseadiseid on soovitatav kasutada koos Makita tööriistaga, mille kasutamist selles kasutusjuhendis kirjeldatakse. Muude tarvikute ja lisaseadiste kasutamisega kaasneb vigastada saamise oht. Kasutage tarvikuid ja lisaseadiseid ainult otstarvetel, milleks need on ette nähtud.

Saate vajadusel kohalikust Makita teeninduskeskusest lisateavet nende tarvikute kohta.

- Segmentidega saeketas
- Saeketas
- Vertikaallettenihkega saeketas
- Kaabits (jäik)
- Kaabits (elastne)
- Hammastega segmenttera
- Tavaline vuugilõikur
- HM eemaldusseade
- HM segmentidega saetera
- HM lihvimisplaat
- Segmentidega teemantsaeketas
- Lihvtald
- Adapter
- Kolmnurkne lihvpaper (punane / valge / must)
- Kolmnurkne villast poleerimisketas (keskmine / kare / abrasiivpulbrita)
- Kolmnurkne poleerimisvilt
- Kuuskantvõti
- Tolmueemaldusseadme ühendusdetail
- Makita algupärane aku ja laadija

MÄRKUS:

- Mõned nimekirjas loetletud tarvikud võivad kuuluda standardvarustusse ning need on lisatud tööriista pakendisse. Need võivad riikide lõikes erineda.

ТЕХНИЧЕСКИЕ ХАРАКТЕРИСТИКИ

Модель	DTM41	DTM51
Колебаний в минуту	6 000 - 20 000 (мин ⁻¹)	
Угол отклонения, влево/вправо	1,6 ° (3,2 ° в сумме)	
Общая длина	326 - 340 мм	
Вес нетто	1,9 - 2,3 кг	2,0 - 2,4 кг
Номинальное напряжение	14,4 В пост. Тока	18 В пост. Тока

- Благодаря нашей постоянно действующей программе исследований и разработок указанные здесь технические характеристики могут быть изменены без предварительного уведомления.
- Технические характеристики могут различаться в зависимости от страны.
- Масса может отличаться в зависимости от дополнительного оборудования. Обратите внимание, что блок аккумулятора также считается дополнительным оборудованием. В таблице представлены комбинации с наибольшим и наименьшим весом в соответствии с процедурой EPTA 01/2014.

Подходящий блок аккумулятора и зарядное устройство

Блок аккумулятора	Модель 14,4 В пост. тока	BL1415N / BL1430 / BL1430B / BL1440 / BL1450 / BL1460B
	Модель 18 В пост. тока	BL1815N / BL1820 / BL1820B / BL1830 / BL1830B / BL1840 / BL1840B / BL1850 / BL1850B / BL1860B
Зарядное устройство	DC18RC / DC18RD / DC18RE / DC18SD / DC18SE / DC18SF	

- В зависимости от региона проживания некоторые блоки аккумуляторов и зарядные устройства, перечисленные выше, могут быть недоступны.

⚠ОСТОРОЖНО: Используйте только перечисленные выше блоки аккумуляторов и зарядные устройства. Использование других блоков аккумуляторов и зарядных устройств может привести к травме и/или пожару.

Назначение

Инструмент предназначен для распиливания и резки древесины, пластика, гипса, цветных металлов и элементов крепления (например, незакаленные гвозди и скобы). Он также предназначен для работы с мягкой стеновой плиткой, а также для сухой шлифовки и зачистки небольших поверхностей. Он особенно удобен при работе рядом с краем и обрезке заподлицо.

Шум

Типичный уровень взвешенного звукового давления (A), измеренный в соответствии с EN62841:

Рабочий режим: Шлифование

Модель DTM41

Уровень звукового давления (L_{рА}): 76 дБ (A)

Погрешность (K): 3 дБ (A)

Уровень шума при выполнении работ может превышать 80 дБ (A).

Модель DTM51

Уровень звукового давления (L_{рА}): 77 дБ (A)

Погрешность (K): 3 дБ (A)

Уровень шума при выполнении работ может превышать 80 дБ (A).

Рабочий режим: Резка диском для врезного распила

Модель DTM41

Уровень звукового давления (L_{рА}): 80 дБ (A)

Уровень звуковой мощности (L_{вА}): 91 дБ (A)

Погрешность (K): 3 дБ (A)

Модель DTM51

Уровень звукового давления (L_{рА}): 81 дБ (A)

Уровень звуковой мощности (L_{вА}): 92 дБ (A)

Погрешность (K): 3 дБ (A)

Рабочий режим: Резка сегментным диском

Модель DTM41

Уровень звукового давления (L_{рА}): 77 дБ (A)

Погрешность (K): 3 дБ (A)

Уровень шума при выполнении работ может превышать 80 дБ (A).

Модель DTM51

Уровень звукового давления (L_{рА}): 76 дБ (A)

Погрешность (K): 3 дБ (A)

Уровень шума при выполнении работ может превышать 80 дБ (A).

Рабочий режим: Зачистка

Модель DTM41

Уровень звукового давления (L_{рА}): 78 дБ (A)

Погрешность (K): 3 дБ (A)

Уровень шума при выполнении работ может превышать 80 дБ (A).

Модель DTM51

Уровень звукового давления (L_{рА}): 80 дБ (A)

Уровень звуковой мощности (L_{вА}): 91 дБ (A)

Погрешность (K): 3 дБ (A)

Используйте средства защиты слуха

Вибрация

Суммарное значение вибрации (сумма векторов по трем осям) определяется по следующим параметрам EN62841:

Модель DTM41

Рабочий режим: шлифовка

Распространение вибрации (a_h): 3,0 м/с²

Погрешность (K): 1,5 м/с²

Модель DTM51

Рабочий режим: шлифовка

Распространение вибрации (a_h): 3,0 м/с²

Погрешность (K): 1,5 м/с²

Модель DTM41

Рабочий режим: резание с помощью диска для врезного распила

Распространение вибрации (a_h): 7,0 м/с²

Погрешность (K): 1,5 м/с²

Модель DTM51

Рабочий режим: резание с помощью диска для врезного распила

Распространение вибрации (a_h): 7,0 м/с²

Погрешность (K): 1,5 м/с²

Модель DTM41

Рабочий режим: Резка сегментным диском

Распространение вибрации (a_h): 4,5 м/с²

Погрешность (K): 1,5 м/с²

Модель DTM51

Рабочий режим: Резка сегментным диском

Распространение вибрации (a_h): 4,5 м/с²

Погрешность (K): 1,5 м/с²

Модель DTM41

Рабочий режим: зачистка

Распространение вибрации (a_h): 5,0 м/с²

Погрешность (K): 1,5 м/с²

Модель DTM51

Рабочий режим: зачистка

Распространение вибрации (a_h): 5,5 м/с²

Погрешность (K): 1,5 м/с²

ПРИМЕЧАНИЕ: Заявленное значение распространения вибрации измерено в соответствии со стандартной методикой испытаний и может быть использовано для сравнения инструментов.

ПРИМЕЧАНИЕ: Заявленное значение распространения вибрации можно также использовать для предварительных оценок воздействия.

⚠ОСТОРОЖНО: Распространение вибрации во время фактического использования электроинструмента может отличаться от заявленного значения в зависимости от способа применения инструмента.

⚠ОСТОРОЖНО: Обязательно определите меры безопасности для защиты оператора, основанные на оценке воздействия в реальных условиях использования (с учетом всех этапов рабочего цикла, таких как выключение инструмента, работа без нагрузки и включение).

Декларация о соответствии ЕС

Только для европейских стран

Декларация о соответствии ЕС включена в руководство по эксплуатации (Приложение А).

Общие рекомендации по технике безопасности для электроинструментов

⚠ОСТОРОЖНО: Ознакомьтесь со всеми представленными инструкциями по технике безопасности, указаниями, иллюстрациями и техническими характеристиками, прилагаемыми к данному электроинструменту. Несоблюдение каких-либо инструкций, указанных ниже, может привести к поражению электрическим током, пожару и/или серьезной травме.

Сохраните брошюру с инструкциями и рекомендациями для дальнейшего использования.

Термин "электроинструмент" в предупреждениях относится ко всему инструменту, работающему от сети (с проводом) или на аккумуляторах (без провода).

ПРАВИЛА ТЕХНИКИ БЕЗОПАСНОСТИ ПРИ ОБРАЩЕНИИ С БЕСПРОВОДНЫМ УНИВЕРСАЛЬНЫМ ИНСТРУМЕНТОМ

1. Данный электроинструмент предназначен для распиливания, резки, шлифовки и зачистки. Ознакомьтесь со всеми представленными инструкциями по технике безопасности, указаниями, иллюстрациями и техническими характеристиками, прилагаемыми к данному инструменту. Несоблюдение всех инструкций, указанных ниже, может привести к поражению электрическим током, пожару и/или серьезной травме.
2. Если при выполнении работ существует риск контакта режущего инструмента со скрытой электропроводкой, держите электроинструмент за специально предназначенные изолированные поверхности. Контакт с проводом под напряжением приведет к тому, что металлические детали инструмента также будут под напряжением, что приведет к поражению оператора электрическим током.
3. Для фиксации разрезаемой детали на устойчивой поверхности используйте зажимы или другие соответствующие приспособления. Никогда не держите распиливаемые детали в руках и не прижимайте их к телу, так как это не обеспечит устойчивого положения детали и может привести к потере контроля над инструментом.
4. Всегда надевайте защитные очки или защитную маску для лица. Обычные или солнцезащитные очки НЕ ЯВЛЯЮТСЯ защитными очками.
5. Избегайте попадания режущего инструмента на гвозди. Перед пилением осмотрите деталь и убедитесь в отсутствии гвоздей.
6. Крепко держите инструмент.

7. Перед включением выключателя убедитесь, что приспособление не касается детали.
8. Руки должны находиться на расстоянии от движущихся деталей.
9. Не оставляйте работающий инструмент без присмотра. Включайте инструмент только тогда, когда он находится в руках.
10. Перед извлечением полотна из детали всегда выключайте инструмент и ждите остановки движения полотна.
11. Сразу после окончания работ не прикасайтесь к приспособлению или детали. Они могут быть очень горячими, что приведет к ожогам кожи.
12. Без необходимости не эксплуатируйте инструмент без нагрузки.
13. Всегда используйте соответствующую пылезащитную маску/респиратор для защиты дыхательных путей от пыли разрезаемых материалов.
14. Некоторые материалы могут содержать токсичные химические вещества. Примите соответствующие меры предосторожности, чтобы избежать вдыхания или контакта с кожей таких веществ. Соблюдайте требования, указанные в паспорте безопасности материала.
15. Данный инструмент не является водонепроницаемым, поэтому не следует использовать воду на поверхности обрабатываемой детали.
16. При выполнении шлифовки обеспечьте хорошую вентиляцию места работ.
17. Использование данного инструмента для шлифовки некоторых материалов, краски и древесины может привести к воздействию на пользователя пыли, содержащей опасные вещества. Используйте соответствующие средства защиты дыхания.
18. Перед использованием убедитесь, в отсутствии трещин или разломов в платформе. Трещины или разломы могут привести к травме.
19. Не используйте принадлежности других производителей, не рекомендованные производителем данного инструмента. Даже если принадлежность удастся закрепить на инструменте, это не обеспечит безопасность эксплуатации.
20. Надевайте средства индивидуальной защиты. В зависимости от выполняемой операции надевайте предохранительный щиток для лица, защитные очки или защитную маску. При необходимости используйте средства защиты слуха, перчатки и рабочий фартурк, способный защитить от маленьких фрагментов абразива или заготовки. Средства защиты глаз должны быть способны остановить осколки, разлетающиеся при различных операциях. Противопылевая маска или респиратор должны задерживать частицы, образующиеся при работе. Продолжительное воздействие громкого шума может привести к потере слуха.
21. Посторонние должны находиться на безопасном расстоянии от рабочего места. Любой приближающийся к рабочему месту должен предварительно надеть индивидуальные средства защиты. Осколки заготовки или сломавшейся принадлежности могут разлетаться и причинить травму даже на значительном удалении от рабочего места.
22. Не кладите инструмент, пока принадлежность полностью не остановится. Врачающаяся насадка может коснуться поверхности, и вы не удержите инструмент.
23. Не включайте электроинструмент во время переноски. В результате случайного контакта приспособление может зацепить одежду и нанести серьезную травму.
24. Не используйте инструмент вблизи горючих материалов. Эти материалы могут воспламениться от искр.
25. Не используйте принадлежности, требующие жидкостного охлаждения. Использование воды или других охлаждающих жидкостей может привести к поражению электротоком.
26. Перед выполнением каких-либо работ с инструментом обязательно убедитесь, что он выключен и отключен от сетевой розетки, или что с него снята аккумуляторная батарея.
27. При выполнении работ всегда занимайте устойчивое положение. При использовании инструмента на высоте убедитесь в отсутствии людей внизу.

СОХРАНИТЕ ДАННЫЕ ИНСТРУКЦИИ.

⚠ОСТОРОЖНО: НЕ ДОПУСКАЙТЕ, чтобы удобно или опыт эксплуатации данного устройства (полученный от многократного использования) доминировали над строгим соблюдением правил техники безопасности при обращении с этим устройством. **НЕПРАВИЛЬНОЕ ИСПОЛЬЗОВАНИЕ** инструмента или несоблюдение правил техники безопасности, указанных в данном руководстве, может привести к тяжелой травме.

Важные правила техники безопасности для работы с аккумуляторным блоком

1. Перед использованием аккумуляторного блока прочитайте все инструкции и предупреждающие надписи на (1) зарядном устройстве, (2) аккумуляторном блоке и (3) инструменте, работающем от аккумуляторного блока.
2. Не разбирайте аккумуляторный блок.

3. Если время работы аккумуляторного блока значительно сократилось, немедленно прекратите работу. В противном случае, может возникнуть перегрев блока, что приведет к ожогам и даже к взрыву.
4. В случае попадания электролита в глаза промойте их обильным количеством чистой воды и немедленно обратитесь к врачу. Это может привести к потере зрения.
5. Не замыкайте контакты аккумуляторного блока между собой:

- (1) Не прикасайтесь к контактам какими-либо токопроводящими предметами.
- (2) Не храните аккумуляторный блок в контейнере вместе с другими металлическими предметами, такими как гвозди, монеты и т. п.
- (3) Не допускайте попадания на аккумуляторный блок воды или дождя.

Замыкание контактов аккумуляторного блока между собой может привести к возникновению большого тока, перегреву, возможным ожогам и даже поломке блока.

6. Не храните инструмент и аккумуляторный блок в местах, где температура может достигать или превышать 50 °C (122 °F).
7. Не бросайте аккумуляторный блок в огонь, даже если он сильно поврежден или полностью вышел из строя. Аккумуляторный блок может взорваться под действием огня.
8. Не роняйте и не ударяйте аккумуляторный блок.
9. Не используйте поврежденный аккумуляторный блок.
10. Входящие в комплект литий-ионные аккумуляторы должны эксплуатироваться в соответствии с требованиями законодательства об опасных товарах.
При коммерческой транспортировке, например, третьей стороной или экспедитором, необходимо нанести на упаковку специальные предупреждения и маркировку.
В процессе подготовки устройства к отправке обязательно проконсультируйтесь со специалистом по опасным материалам. Также соблюдайте местные требования и нормы. Они могут быть строже.
Закройте или закрепите разомкнутые контакты и упакуйте аккумулятор так, чтобы он не перемещался по упаковке.
11. Выполняйте требования местного законодательства относительно утилизации аккумуляторного блока.
12. Используйте аккумуляторы только с продукцией, указанной Makita. Установка аккумуляторов на продукцию, не соответствующую требованиям, может привести к пожару, перегреву, взрыву или утечке электролита.

▲ВНИМАНИЕ: Используйте только фирменные аккумуляторные батареи Makita. Использование аккумуляторных батарей, не произведенных Makita, или батарей, которые были подвергнуты модификациям, может привести к взрыву аккумулятора, пожару, травмам и повреждению имущества. Это также автоматически аннулирует гарантию Makita на инструмент и зарядное устройство Makita.

Советы по обеспечению максимального срока службы аккумулятора

1. Заряжайте блок аккумуляторов перед его полной разрядкой. Обязательно прекратите работу с инструментом и зарядите блок аккумуляторов, если вы заметили снижение мощности инструмента.
2. Никогда не подзаряжайте полностью заряженный блок аккумуляторов. Перезарядка сокращает срок службы аккумулятора.
3. Заряжайте блок аккумуляторов при комнатной температуре в 10 - 40 °C (50 - 104 °F). Перед зарядкой горячего блока аккумуляторов дайте ему остыть.
4. Зарядите ионно-литиевый аккумуляторный блок, если вы не будете пользоваться инструментом длительное время (более шести месяцев).

СОХРАНИТЕ ДАННЫЕ ИНСТРУКЦИИ.

ОПИСАНИЕ ФУНКЦИОНИРОВАНИЯ

⚠ ОСТОРОЖНО:

- Перед регулировкой или проверкой инструмента обязательно убедитесь, что он выключен и его аккумуляторный блок снят. Несоблюдение этого требования может стать причиной тяжелой травмы из-за случайного включения инструмента.

Установка или снятие блока аккумулятора

- Рис.1: 1. Кнопка 2. Красный индикатор 3. Блок аккумулятора

⚠ ВНИМАНИЕ:

- Обязательно выключайте инструмент перед установкой и извлечением аккумуляторного блока.
- При установке или снятии аккумуляторного блока надежно удерживайте инструмент и аккумуляторный блок. Иначе инструмент или аккумуляторный блок могут выскользнуть из рук, что может привести к травмам или повреждению инструмента и аккумуляторного блока.

Для снятия аккумуляторного блока нажмите кнопку на лицевой стороне и извлеките блок.

Для установки аккумуляторного блока совместите выступ блока с пазом в корпусе и задвиньте его на место. Устанавливайте блок до упора так, чтобы он зафиксировался на месте с небольшим щелчком. Если вы можете видеть красный индикатор на верхней части клавиши, аккумуляторный блок не полностью установлен на месте.

⚠ ВНИМАНИЕ:

- Обязательно устанавливайте аккумуляторный блок до конца, чтобы красный индикатор не был виден. В противном случае аккумуляторный блок может выпасть из инструмента и нанести травму вам или другим людям.
- Не прилагайте чрезмерных усилий при установке аккумуляторного блока. Если блок не двигается свободно, значит он вставлен неправильно.

Система защиты аккумуляторной батареи (ионно-литиевый аккумуляторный блок со звездочкой)

- Рис.2: 1. Звездочка

В ионно-литиевых аккумуляторных блоках со звездочкой предусмотрена система защиты. Она автоматически отключает питание для продления срока службы аккумуляторного блока.

Инструмент автоматически остановится во время работы при возникновении указанных ниже ситуаций:

- Перегрузка:
Из-за способа эксплуатации инструмент потребляет очень большое количество тока. В этом случае переместите сдвижной переключатель на инструменте в положение "O (OFF)" (Выкл.) и прекратите использование, повлекшее перегрузку инструмента. Затем снова переместите сдвижной переключатель в положение "I (ON)" (Вкл.) для повторного запуска. Если инструмент не включается, значит, перегрелся аккумуляторный блок. В этом случае дайте аккумулятору остыть, прежде чем снова перемещать сдвижной переключатель в положение "I (ON)" (Вкл.).
- Низкое напряжение аккумуляторной батареи:
Уровень оставшегося заряда аккумулятора слишком низкий и инструмент не работает. В этом случае снимите и зарядите аккумуляторный блок.

Защита от перегрева


















При перегрузке инструмента и повышении его температуры до определенного уровня инструмент автоматически отключается. В этом случае дайте инструменту остыть перед повторным включением.

Индикация оставшегося заряда аккумулятора

Только для блоков аккумулятора с индикатором

- Рис.3: 1. Индикаторы 2. Кнопка проверки

Нажмите кнопку проверки на аккумуляторном блоке для проверки заряда. Индикаторы загорятся на несколько секунд.

Индикаторы			Уровень заряда
			
			от 75 до 100%
			от 50 до 75%
			от 25 до 50%
			от 0 до 25%
			Зарядите аккумуляторную батарею.
			Возможно, аккумуляторная батарея неисправна.
			

ПРИМЕЧАНИЕ: В зависимости от условий эксплуатации и температуры окружающего воздуха индикация может незначительно отличаться от фактического значения.

Действие выключателя

► **Рис.4:** 1. Ползунковый переключатель

⚠ВНИМАНИЕ:

- Перед установкой блока аккумуляторной батареи в инструмент обязательно убедитесь, что инструмент выключен.

Для включения инструмента переместите сдвижной переключатель в положение "I (ON)" (Вкл.).

Для выключения инструмента переместите сдвижной переключатель в положение "O (OFF)" (Выкл.).

Настройка количества орбитальных ходов

► **Рис.5:** 1. Регулятор со шкалой

Количество орбитальных ходов можно регулировать. Чтобы изменить количество орбитальных ходов, поверните регулятор со шкалой в положение от 1 до 6. Чем выше число, тем будет больше орбитальных ходов. Предварительно установите регулятор со шкалой на число, необходимое для обрабатываемой детали.

ПРИМЕЧАНИЕ:

- Регулятор со шкалой невозможно мгновенно повернуть с 1 до 6 и с 6 до 1. Приложение усилий на регулятор может привести к повреждению инструмента. При изменении направления вращения регулятора обязательно прокрутите его через каждое промежуточное число.

Индикатор

► **Рис.6:** 1. Индикаторная лампа

- Когда оставшийся заряд аккумулятора станет небольшим, индикатор начинает мигать.
- Если оставшийся заряд аккумулятора станет критически низким, инструмент выключится во время эксплуатации и индикатор включится примерно на 10 секунд.

Снимите аккумуляторный блок с инструмента и зарядите его.

МОНТАЖ

⚠ВНИМАНИЕ:

- Перед проведением каких-либо работ с инструментом всегда проверяйте, что инструмент отключен, а блок аккумуляторов снят.

Установка или снятие приспособления (дополнительная принадлежность)

⚠ОСТОРОЖНО:

- Не устанавливайте приспособление в перевернутом положении. Несоблюдение данного требования может привести к повреждению инструмента и серьезным травмам оператора.
- Установите приспособление в правильном направлении в соответствии с проводимыми работами. Угол наклона приспособления регулируется с шагом 30 градусов.

⚠ВНИМАНИЕ:

- Соблюдайте осторожность при закрытии стопорного рычага. Стопорный рычаг может внезапно сложиться и защемить палец.
- Периодически очищайте от пыли и смазывайте подвижную часть стопорного рычага. В противном случае в подвижной части стопорного рычага может скопиться пыль, которая будет мешать его движению.
- Не включайте инструмент с открытым рычагом. Это может привести к поломке инструмента.

1. Полностью откройте стопорный рычаг. Затем извлеките фиксирующий болт.

► **Рис.7:** 1. Фиксирующий болт 2. Рычаг блокировки

2. Установите приспособление (дополнительная принадлежность) на фланец инструмента так, чтобы выступы на фланце инструмента совпали с отверстиями в приспособлении.

► **Рис.8:** 1. Фиксирующий болт 2. Отверстия в приспособлении 3. Выступы на фланце инструмента

3. Вставьте фиксирующий болт до упора. Затем верните стопорный рычаг в исходное положение.

► **Рис.9**

При использовании шлифовального приспособления установите его на шлифовальный фланец так, чтобы оно соответствовало направлению движения фланца. На шлифовальном фланце предусмотрена застёжка «липучка», которая позволяет быстро и удобно установить наждачную бумагу.

Так как в наждачной бумаге есть отверстия для удаления пыли, установите бумагу таким образом, чтобы отверстия на бумаге совпали с отверстиями на фланце.

Для снятия наждачной бумаги поднимите ее за край и отделите.

Чтобы извлечь фиксирующий болт, выполните процедуру установки в обратной последовательности.

► **Рис.10:** 1. Переходник

При использовании приспособлений с установочными узлами разного типа применяйте соответствующий адаптер (поставляется отдельно).

ЭКСПЛУАТАЦИЯ

⚠ ОСТОРОЖНО:

- Перед запуском инструмента и во время эксплуатации лицо и руки оператора должны не находиться рядом с приспособлением.

⚠ ВНИМАНИЕ:

- Не прилагайте излишних усилий на инструмент – это может привести к блокировке электродвигателя и остановке инструмента.

Резка, распиливание и зачистка

⚠ ВНИМАНИЕ:

- Не прилагайте чрезмерных усилий при перемещении инструмента в направлении его работы (например, в одну из сторон) без режущей кромки. Это может привести к повреждению инструмента.

► Рис.11

Установите приспособление на деталь. Затем перемещайте инструмент вперед, чтобы не замедлять движения приспособления.

ПРИМЕЧАНИЕ:

- Приложение излишних усилий на инструмент может снизить эффективность работы.
- Для резки материалов перед началом работ рекомендуется установить количество орбитальных ходов на значение 4 - 6.
- Регулярно удаляйте опилки из инструмента. Это повышает эффективность работы.
- Круглый диск рекомендуется использовать для длинных прямолинейных разрезов.

Шлифование

⚠ ВНИМАНИЕ:

- Для шлифовки древесины запрещается повторно использовать наждачную бумагу, которая применялась для шлифовки металла.
- Запрещается использовать изношенную наждачную бумагу или бумагу без абразивной крошки.

► Рис.12

Поместите наждачную бумагу на деталь.

ПРИМЕЧАНИЕ:

- Рекомендуется использовать образец материала для определения необходимого количества орбитальных ходов.
- На протяжении процесса шлифования детали используйте наждачную бумагу одной и той же зернистости. Замена наждачной бумаги на бумагу другой зернистости может ухудшить качество работы.

Насадка для удаления пыли (дополнительное приспособление)

- Рис.13: 1. Насадка 2. Пылесборный патрубок 3. Пылезащитное приспособление 4. Фетровое кольцо 5. Опорная пластина 6. Фиксирующий болт 7. Отверстия в инструменте 8. Выступы на насадке

- Установите пылесборные насадки и пылезащитное приспособление.
- Для надежной фиксации установите насадку на инструмент так, чтобы ее выступы совпали с отверстиями на инструменте.
- Установите фетровое кольцо и шлифовальный фланец на пылезащитное приспособление, а затем зафиксируйте их установочным болтом приспособления.

► Рис.14

Для обеспечения чистоты при работе подключите пылесос к инструменту. Подсоедините шланг пылесоса к насадке для удаления пыли (дополнительное приспособление).

ТЕХОБСЛУЖИВАНИЕ

⚠ ВНИМАНИЕ:

- Перед проведением проверки или работ по техобслуживанию, всегда проверьте, что инструмент выключен, а блок аккумуляторов вынут.
- Запрещается использовать бензин, лигроин, растворитель, спирт и т.п. Это может привести к изменению цвета, деформации и появлению трещин.

Для обеспечения БЕЗОПАСНОСТИ и НАДЕЖНОСТИ изделия ремонт, проверка и замена угольных щеток и любые другие работы по техобслуживанию или регулировке должны осуществляться в уполномоченных сервис-центрах Makita с использованием запасных частей только производства компании Makita.

ДОПОЛНИТЕЛЬНЫЕ ПРИНАДЛЕЖНОСТИ

⚠ ВНИМАНИЕ:

- Эти принадлежности или насадки рекомендуются использовать вместе с вашим инструментом Makita, описанным в данном руководстве. Использование каких-либо других принадлежностей или насадок может представлять опасность получения травм. Используйте принадлежность или насадку только по указанному назначению.

Если вам необходимо содействие в получении дополнительной информации по этим принадлежностям, свяжитесь со своим местным сервис-центром Makita.

- Сегментный режущий диск
- Круглый режущий диск
- Режущий диск для врезного распила
- Шабер (жесткий)
- Шабер (гибкий)
- Зубчатый сегментный диск
- Режущий инструмент общего назначения для швов
- Приспособление для удаления НМ
- Сегментный режущий диск НМ
- Шлифовальная пластина НМ
- Алмазный сегментный режущий диск
- Шлифовальный фланец
- Адаптер
- Треугольная шлифовальная шкурка (красная / белая / черная)
- Треугольный кусок ткани с ворсом (средний / грубый / без абразивных частиц)
- Треугольный кусок полировочного войлока
- Шестигранный ключ
- Насадка для удаления пыли
- Оригинальный аккумулятор и зарядное устройство Makita

ПРИМЕЧАНИЕ:

- Некоторые элементы списка могут входить в комплект инструмента в качестве стандартных приспособлений. Они могут отличаться в зависимости от страны.

Makita Europe N.V. Jan-Baptist Vinkstraat 2,
3070 Kortenberg, Belgium

Makita Corporation 3-11-8, Sumiyoshi-cho,
Anjo, Aichi 446-8502 Japan

www.makita.com

885329D988
EN, SV, NO, FI, LV,
LT, ET, RU
20170728