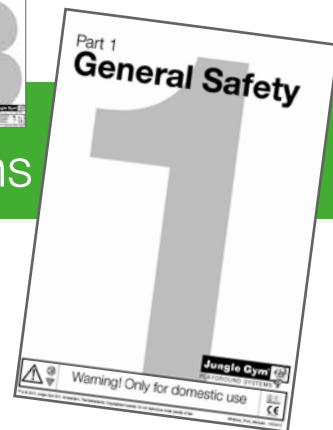
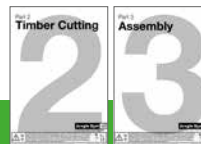


Part 1

General Safety

Instructions



en	Safety instructions	el	Υποδείξεις ασφαλείας	pt	Ogólne wskazówki dotyczące bezpieczeństwa
de	Sicherheitshinweise	is	Almennar öryggisleiðbeiningar	ro	Instrucțiuni generale privind siguranța
fr	Instructions de sécurité	it	Indicazioni per la sicurezza	ru	инструкция по безопасности
nl	Veiligheidsvoorschriften	lv	Vispārīgas drošības norādes	sk	Všeobecné bezpečnostné pokyny
bg	Общи правила за техника на безопасност	lt	Bendri saugos nurodymai	sl	Splošna varnostna navodila
es	Instrucciones de seguridad	hr	bezpečnostni instrukce	fi	Turvallisuusohjeet
cs	bezpečnostní instrukce	hu	Általános biztonsági utasítások	sv	Säkerhetsinstruktioner
da	Sikkerhedsinstruktioner	no	Sikkerhetshenvisninger	tr	Genel Güvenlik Talimatları
et	Üldised ohutusalsased juhised	pl	Bezpečnostni instrukce	ja	一般的安全説明書

Jungle Gym® 

BACKYARD PLAYGROUNDS



Warning! Only for domestic use





Proof of Purchase

Playset information



Name Play set
Name des Spielgerätes
Nom de jouet
Naam speeltoestel

Kind of timber used
Art des gebrauchten Holzes
Genres de bois utilisé
Gebruikte houtsoort

Kind of ground surface material
Material der Bodenbedeckung
Matériau de surfaces absorbant les chocs
Soort schokabsorberend materiaal

Extra modules/ accessories
Extra Module / Zubehör
Modules / accessoires Supplémentaire
Extra modules/ accessoires

Point of sale address
Adresse der Verkaufsstelle
l'Adresse du point de vente
Adres verkooppunt

Date of purchase / Kaufdatum
Date d'achat / Aankoopdatum



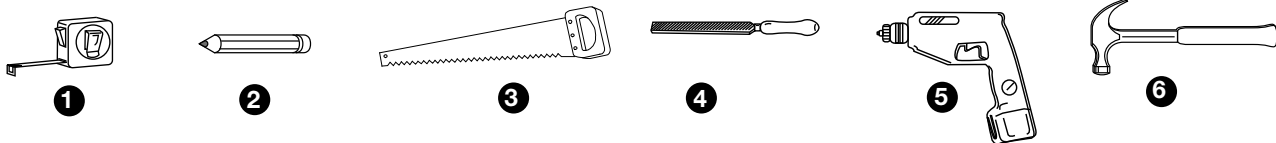
Photo / Foto



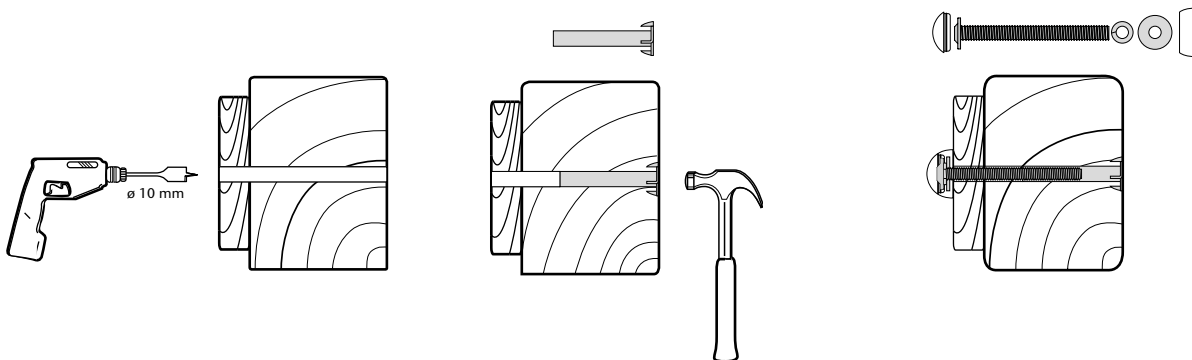
1



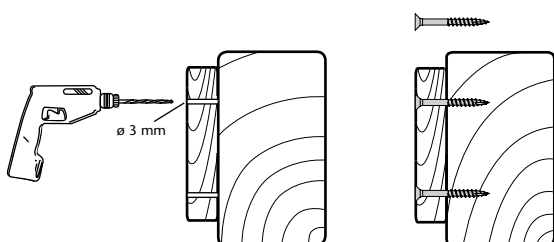
2



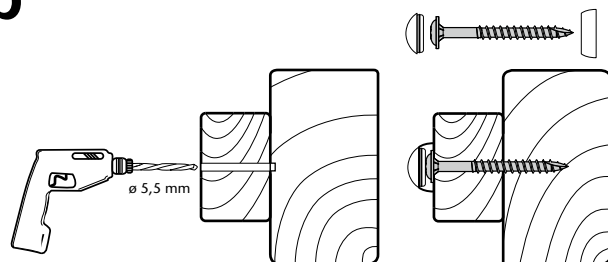
3



4a



4b



GENERAL SAFETY INSTRUCTIONS

Congratulations on the purchase of this Jungle Gym® Do It Yourself kit. With this Jungle Gym® kit we are confident that you will be able to build a safe play set that will provide pleasure for your children for many years.

Jungle Gym® kits contain specially developed hardware. This material is designed with great care and with the safety of your children as a first matter of importance. The hardware has no sharp angles or protruding parts and is protected against all kinds of weather. All the parts in the kits are designed according to the EN 71-1,-2,-3, -8 & -9 (European Safety Standard) for domestic use, on the condition that the playground equipment is assembled and used properly in accordance with the manual. Do not deviate from these plans or alter the design.

Warnings. Only for domestic use. Only for outdoor use. Maximum user weight is 50 Kg. Not suitable for children under three years. Suitable for children from three to ten years.

This product is intended only for domestic use. Usage in a public setting such as a park, playground or school is a misuse of the product and may result in premature wear and also serious injury.

Carefully read these assembly instructions before you start with the assembly and save these instructions for future reference.

SAFETY INSTRUCTIONS

Choice of timber

- The quality of your set will depend greatly on the quality of the timber that you buy. The money you save on lower quality wood will be lost quickly in aggravation while building and will result in a less attractive and satisfying finished product.
- The top beam that supports the swings should be picked with extra care. You can test the integrity of the beam by laying it with both ends on for example two crates. Let someone help you to balance and then jump up approximately 4" (10 cm). The caused impact on the beam is approximately the same as an applied weight of 200 Kg. If the beam does not break or crack, it is suited as a top beam. A slight bending of the beam is normal. Be careful not to cause personal injury.
- Hardwood will give a higher level of resistance against insect damage and wood rot than soft wood. Soft wood should always be treated before use outside. The following timber is suited for building your play set:
 - Timber with a natural resistance against wood rot and insect damage, e.g. Larix, Robinia, tropical hardwood, European hardwood, oak, chestnut, red cedar, red wood.
- Pressure treated timber.
 - Check with your timber dealer for rot and insect resistant species.
- Treat all sawed surfaces and ends with an outdoor wood preservative to prevent the wood from rotting; even when pressure treated wood is being used.
- Pay extra attention to parts that make contact with the ground.
- Treat all counter sunk holes and holes for the Rope ladder or Climbing rope with stain.

Safe play area

- Place the playset on an unpaved steady surface, such as grass or a solid layer of sand. Do not install your play set over concrete, gravel, asphalt, or any other hard surface.
- The ground surface must be level. Installing your play set on sloping ground can cause it to lean or "rack". This leaning puts additional stress on all connections and joints and in time will cause those connections to loosen and fail.
- The safe play area refers to a zone extending 6' (200 cm) beyond the play set on all sides. A fall onto a hard surface can result in serious injury. Install the ground cover in the safe play zone. The following is a list of recommended ground covers.

Suggested material	Minimum uncompressed depth
Double shredded bark mulch	20" (50 cm)
Uniform wood chips	20" (50 cm)
Fine gravel	20" (50 cm)
Fine sand	20" (50 cm)
Grass	

- Remove all tripping hazards such as rocks, stumps, roots etc. from the safe play area.
- The safe play area must be free of all structures, fences, garage, house, overhanging branches, laundry lines, electrical wires and other obstacles to ensure safe play.
- Do not situate your play set in the direction of walks or gangways.
- Any edging used to contain the ground cover must be beyond the safe play area (Landscape timbers or other edgings).

Safe installation

- Children should stay out of the work area until the safe play area is cleared of obstacles, the play set has been completely installed, all hardware has been tightened and checked, and all tools and other items that don't belong in the play area have been picked up.
- When building this play set, at least two adults are required for lifting and holding beams, frames or other heavy assemblies in position before bolting or screwing.
- Check all the parts and group them systematically within reach. Compare these with the parts list.
- Wear proper clothing and safety equipment (e.g. safety glasses, dust mask and gloves) when you saw, drill, grind, stain or assemble the play set, especially when working with pressure treated timber.
- Follow the manufacturers' safety recommendations for the tools and equipment you use.
- Do not stand on the platform until the play set has been completely assembled; use a stepladder if you can not reach high enough.
- Avoid assembling your gym in poor weather conditions.
- The play set must be securely anchored to prevent the play set from turning over or shoving. If soil conditions permit stakes to be pulled out easily, cementing is required. Be sure that the ground anchors do not stick out of the ground because children can trip

over them.

- After assembly be sure to use a metal saw to cut off any protruding threaded ends of bolts and other fasteners. Remove any sharp edges with a metal file.
- To prevent splinters, sand the wood with a piece of sandpaper. Also smooth all corners with sandpaper or a metal file to a radius of 1/8" (3 mm).
- Do not attach extra items to this gym set, such as ropes, chains, heavy cord or other items.
- Do not combine products of other manufacturers with Jungle Gym® products because they may create safety hazards.
- Only use the Rope Locks™ in combination with Jungle Gym® swing hooks. Do not use the Rope locks™ for other purposes, such as mountain climbing or pulling loads.
- The screw thread of the Swing Hook LS must be screwed into the wood fully and tight against the cross beam. It is important that you align the Swing Hook in the proper position. An improperly installed or misaligned swing hook will break or pull out and cause injury!
- The distance between swinging accessories (for example a swing seat) and the ground should be at least 14" (35 cm).
- The distance between an accessory and the frame, should be at least 12" (30 cm).
- The distance between the Swing Hooks should be 18" (45 cm).
- The distance between swinging accessories should be 18" (45 cm).
- A Climbing rope or a Rope ladder always has to be secured at both top and bottom, because the free-hanging Rope could cause serious injury or death due to strangulation. Ropes should not be capable of looping back on themselves.

INSPECTION AND MAINTENANCE

To ensure the safety of the users of the play set, the play set has to be subjected to the safety inspections mentioned below once at the beginning of each season and further twice monthly during the usage season. If the maintenance checks are not carried out regularly the activity toy could overturn or otherwise become a hazard.

Wood components

- Inspect for splinters and possible other structural defects.
- Maintain the set with periodic applications of exterior wood preservative to prevent wood rot. Do not use paint or other finishes that can cause a slippery surface.

Hardware

- Check all hardware to be sure it is tight. Caution: over-tightened hardware crushes the fibres of the wood resulting in split-boards.
- Check the remaining hardware, brackets and swing hooks also for rust, which can have affect on the strength. Replace when necessary.
- Check the ground anchors to be sure that they are secured. If necessary, reposition or replace.
- Check all coverings for bolts and sharp edges and replace when required.

Accessories (if appropriate)

- Check Rope Locks™ to be sure they are properly installed onto the Jungle Gym® swing hooks. To check the Rope Locks HC, hang with your full bodyweight onto each individual swing rope for a couple of seconds. The Rope Locks SC can be checked by sitting on the accessory with your full bodyweight for a couple of seconds. Replace when necessary. If any squeaking occurs, the Rope Locks HC can be moistened with water or vegetative oil such as olive oil.
- Check swing seats and bars for integrity and check swing ropes for fraying or extreme creation of fibre. To examine the rope, open the strands of the Rope where any fraying has occurred and securely check whether the filaments are broken. Check safety belt of baby swing. Replace when necessary.
- Check the attachment of the slide onto the platform for any openings in which for instance clothing or strings from hooded jackets can get stuck which results in entangling.
- All accessories can be cleaned with warm water and a mild detergent. Heavily dirty slides can be cleaned with a high pressure cleaner. (Be careful not to damage the slide surface and timber.)

Safe play area

- Check if the shock-absorbing surface isn't compressed too much, loosen if necessary. Fill up any holes, for example under swing seats.
- Check the play set stability.
- Check the environment for direct danger like overhanging branches, laundry lines, loose materials.

Environmental protection

Wood parts of play sets should never be disposed of by burning. Dispose of all metal parts so as not to create a hazard. You should never burn pressure treated, stained or painted timber yourself, because of environmental pollution. Take it to your local disposal site.

SAFE PLAY

Attention:

- On site adult supervision must be provided for children of all ages and at all times.
- Teach the children to play safe.
- Dress children appropriately. Avoid accessories, clothing with drawstrings, loose fitting clothes and strangled items placed around the neck, which could become entangled or snagged on equipment. Also bike helmets should be taken off before playing on playground equipment.
- Last but not least: use common sense to avoid any possible unsafe situations.
- Jungle Gym® products are designed for use by children age 3 to 10 years old, unless indicated differently.

Safe play (fig. 1)

- Equipment should not be played upon in wet weather conditions because of potentially slippery surfaces, in periods of frost, even the softest ground can change into a very hard surface. Accessories should be removed and taken indoors when temperatures drop below 0° C (32° F).
- Using the playground or the accessories in any other manner than the way intended could lead to damage or, even injury. Do not twist or wrap swings, chains, ropes or any other accessories. Twisting will reduce the strength of the accessories and may cause entrapment.
- Caution children not to:
 - Jump off swings while they are in motion
 - swing empty seats or other empty accessories
 - swing at an angle
 - hang upside down from any part of the gym set
 - grasp or stop another child on any moving equipment
 - walk close to, in front of, between or behind moving accessories
- Caution children to sit in the centre of the swings with their full weight on the seats. Only one child per each planned occupant seat should be allowed. A standard tower: maximum 3 children are allowed to play on the play set with a maximum weight of 110 pounds (50 kg) each. A standard tower in combination with a swing: maximum 5 children are allowed to play on the play set with a maximum weight of 110 pounds (50 kg) each.
- Climbing on top of the roof or on top of the Module must not be permitted. Serious injuries can result from falls.
- The play area must be free of all structures and obstacles.
- Each open area on a platform increases the risk of possible accidents. The risk can be significantly reduced with the addition of safety features like handles, safety bars and fence boards.
- Do not allow children to go down the slide in any other manner than sitting. Avoid southern sunlight exposure to the slide. All components may become hot when exposed to direct sunlight. Make sure the play set is not hot before allowing children to play. If necessary the play set can be cooled down with water, dry the play set before using. Do not spray water on the slide to increase speed as children slide too fast, which can cause injury.
- Do not attach anything to the play set that is not approved by Jungle Gym. Some examples of items NOT approved are dog runs, clothes lines, electrical devices, loose ropes or chains etc.

Required tools (fig. 2)

- Tape measure
- Pencil
- Hack/ wood saw
- Wood- & metal file
- Electric drill
- Hammer

Standard bolt connections (fig. 03)

- Drill a hole of ϕ 10 mm in the parts to be fastened.
- Drive the barrel of the weld nut into the hole with a hammer. The barrel of the weld nut should be inside the wood.
- Place the lock washer over the shank of the bolt, followed by the flat washer and bottom part of the boltcap. Start preliminary tightening of bolt into the weld nut by hand before using the 13 mm socket in your electric drill to tighten each bolt until the spring action of the lock washer is fully compressed between the head of the bolt and the flat washer. Close the bolt protection cap with it's top.
- If the bolt appears to be too short, we advise to counter drill the upper part of the hole in the thickest part of the wood with the ϕ 22 mm drill, to a depth of 15 mm or more, so the bolt will be sunk after assembly. Treat the hole with stain. Because the bolt head is recessed now, there is no need to use the bolt protection cap.
- If the bolt appears too long, it is necessary to remove the protruding end by cutting it off using a metal saw. If any sharp edges appear, use a file.

Pilot holes (fig. 4a+4b)

In order to prevent the wood from splitting, drilling pilot holes are recommended for all screws. These pilot holes should be 10 mm shorter than the length of the screws.

Wood screws (fig. 4a)

- Drill ϕ 3 mm pilot holes for wood screws.
- It is very important to make certain that the tops of all screws are flush with the surface of the wood and there are no protruding sharp edges.

XL Stealth™ fasteners (fig. 4b)

- For a XL Stealth™ first drill a hole ϕ 5 mm through both parts to be fastened.
- Place the flat washer and bottom part of the bolt cap over the shank of the screw. Place screw in hole and use the T40 bit in your electric drill to tighten. Close the bolt protection cap with its top.

Caution: do not over tighten bolts and screws!

When hardwood is being used it may be necessary to drill pilot holes with a larger diameter, depending on the density of the wood.

040_805_GSL_en_0300_20120911_nA

ALLGEMEINE SICHERHEITSHINWEISE

Wir gratulieren Ihnen zum Kauf Ihres Jungle Gym® Selbstbausatzes. Mit dem Erwerb dieses Jungle Gym® Selbstbausatzes können Sie innerhalb kurzer Zeit ein sicheres Spielgerät bauen, das jahrelange Spielfreude garantiert.

Jungle Gym® Sätze beinhalten speziell entwickelte Befestigungssysteme. Diese wurden mit größter Sorgfalt entwickelt, wobei die Sicherheit Ihrer Kinder stets im Vordergrund stand. Die Befestigungssysteme haben weder scharfe Kanten noch herausstehende Teile und sind gegen jede Form von Witterungseinflüssen geschützt. Die verwendeten Materialien entsprechen den Anforderungen der Europäischen Normen EN 71-1,-2,-3, -8 & -9 für den privaten Gebrauch. Eine sachgerechte Montage und Anwendung wird vorausgesetzt. Weichen Sie nicht von der Montageanleitung ab, und verändern Sie nichts am Design des Spielgerätes.

Achtung. Nur für den Hausgebrauch. Nur für Benutzung im Freien. Maximales Gewicht des Benutzers: 50 kg. Nicht für Kinder unter drei Jahren geeignet. Geeignet für Kinder von drei bis zehn Jahren.

Dieses Produkt ist ausschließlich für den Privatgebrauch – und nicht für den öffentlichen Gebrauch – hergestellt worden.

Lesen Sie diese Montageanleitung sorgfältig durch, bevor Sie mit dem Aufbau beginnen. Heben Sie diese Montageanleitung für eventuelle Anpassungen zu einem späteren Zeitpunkt auf.

SICHERHEITSHINWEISE

Die Auswahl des Holzes

- Die Qualität Ihres Spielgeräts hängt u. a. von der gewählten Holzqualität ab. Einsparungen durch den Kauf einer minderwertigen Holzqualität können den Bau erschweren und gehen auf Kosten der Qualität des Spielgerätes und der damit verbundenen Sicherheit und Freude.
- Der oberste Balken sollte mit besonderer Sorgfalt ausgewählt werden. Die Stabilität kann getestet werden, indem man die beiden Enden des Balkens auf zwei andere Balken legt. Steigen Sie auf den Balken, der getestet werden soll und lassen Sie sich von jemandem stützen, so daß Sie circa 10 cm hochspringen können ohne die Balance zu verlieren. Dieser Sprung entspricht in etwa einer Belastung von 200 kg. Hält der Balken den Sprung aus, kann er als oberster Balken verwendet werden. Ein leichtes Beugen des Balkens ist normal. Seien Sie vorsichtig beim Testen.
- Hartholz hat ein höhere Resistenzklasse gegen Pilzbefall, Schimmelbildung und Fäulnis als Weichholz. Weichhölzern müssen vor dem verbauen entsprechend behandelt sein um im Außenbereich aufgestellt werden zu dürfen. Die folgenden Hölzer sind zum Bau geeignet:
 - Holz mit natürlicher Resistenz gegen Fäulnis und Beschädigung durch Insekten, z.B. Robinia, Harthölzer, Eiche, Kastanie und rote Zeder.
 - Kesseldruckimprägniertes Holz.
- Behandeln Sie alle Schnittflächen und Kopfstücke des Holzes mit Lasur, auch bei bereits imprägniertem Holz.
- Besonders sorgfältig sollten die Teile behandelt werden, die mit dem Boden in Kontakt kommen.
- Ebenso sollten Sie eingelassene Löcher für Schrauben, Strickleitern und Kletterseile mit Lasur behandeln.

Sicherheitsbereich

- Legen Sie das Spielgerät auf einer ungepflastert stabilen Oberfläche, wie Gras oder einer festen Schicht aus Sand. Stellen Sie den Spielturn nicht auf Beton, Zierkies, Asphalt oder andere harte Flächen auf.
- Der Untergrund muß eben sein, ansonsten würden Verbindungen zu sehr belastet werden, und sie könnten sich auf Dauer lösen oder brechen.
- Der sogenannte Sicherheitsbereich sieht einen Abstand von 200 cm vom Spielgerät nach allen Seiten hin vor. Ein Sturz auf harten Boden kann schwere Verletzungen zur Folge haben. Sorgen Sie für einen weichen Boden innerhalb der Sicherheitszone. Die folgenden Untergründe empfehlen wir Ihnen:

Vorgeschlagenes Material	Tiefe (unverdichtet)
Borke	50 cm
Holzschnitzel	50 cm
feiner Kies	50 cm
feiner Sand	50 cm
Gras	

- Der Sicherheitsbereich muss frei von jeglichen Behinderungen wie Zäunen, Garagen, Häusern, Wäscheleinen und Elektrokabeln sein.
- Stellen Sie das Gerät nicht an Wegen oder Durchgängen auf.
- Wenn Sie z.B. Bahnschwellen oder Balken benutzen, um einem Verschieben des stoßdämpfenden Materials vorzubeugen, so müssen diese außerhalb des Sicherheitsbereichs liegen.

Sicherheitsmaßnahmen beim Aufbau

- Sorgen Sie dafür, dass sich während des Aufbaus keine Kinder in der Nähe des Arbeitsplatzes aufhalten, bis das Gerät fertig montiert ist. Sie es auf Stabilität und Sicherheit geprüft haben und der Arbeitsplatz vollständig aufgeräumt ist.
- Das Spielgerät sollte von zwei Erwachsenen aufgebaut werden, da schwere Teile aufgerichtet und zum Verschrauben in Position gehalten werden müssen.
- Überprüfen Sie alle Teile, sortieren Sie sie und vergewissern Sie sich, dass kein Teil fehlt.
- Tragen Sie angemessene Schutzkleidung (z. B. Sicherheitsbrille, Staubmaske und Handschuhe).
- Folgen Sie bei der Verwendung von Werkzeugen den Sicherheitsempfehlungen des Herstellers.
- Treten Sie nicht auf die Plattform bevor das Spielgerät komplett aufgebaut ist. Benützen bei Bedarf ein Trittleiter.
- Um ein Kippen oder Verschieben des Spielturns zu verhindern, muß dieser mit Grundankern im Boden befestigt werden. Sollte der Boden nicht fest genug sein, gießen Sie die Grundanker in

Beton ein. Achten Sie darauf, daß die Anker vollständig im Boden verschwinden. Kinder könnten sich ansonsten daran verletzen.

- Entfernen Sie am Ende des Aufbaus mit einer Metallsäge alle her- vorstehenden Gewindeenden von Schrauben und anderen Befestigungselementen. Bearbeiten Sie alle scharfen Kanten mit einer Metallfeile.
- Zur Vermeidung möglicher Holzsplitter schmirgeln Sie alle Ecken und Kanten mit einem Stück 80 Grind starkem Schmirgelpapier zu einem Radius von 3 mm.
- Bringen Sie keine zusätzlichen Elemente, wie z.B. Seile, Ketten, schwere Teile oder Ähnliches an.
- Kombinieren Sie Ihr Jungle Gym® Spielgerät nicht mit Produkten anderer Firmen.
- Verwenden Sie in Kombination mit dem original Jungle Gym® Schaukelhaken ausschließlich Rope Locks™. Verwenden Sie die Rope Locks™ nicht für andere Zwecke wie z.B. zum Klettersport oder zum Ziehen von Lasten.
- Das Gewinde des Swing Hook LS muss völlig in das Holz hineingeschraubt werden und eng am Querbalken anliegen. Es ist wichtig, dass der Swing Hook korrekt angebracht wird, da er sonst brechen oder sich lösen kann und eine Verletzungsgefahr darstellt.
- Der Abstand zwischen einem Schaukelement (z.B. einem Schaukelsitz) und dem Boden muß mindestens 35 cm betragen.
- Der Abstand zwischen einem Schaukelement und dem Rahmen sollte mindestens 30 cm betragen.
- Der Abstand zwischen mehreren Schaukelementen sollte 45 cm betragen.
- Kletterseile und Strickleitern müssen immer oben und unten befestigt sein, ansonsten könnte das freie Ende des Seils zu einer Schlinge geknotet werden, in der sich Kinder leicht verfangen oder erwürgen könnten.

INSPEKTION UND PFLEGE

Um die Sicherheit der Benutzer zu garantieren, muß das Gerät vor jeder Spielsaison einmal und während der Spielsaison mindestens zweimal im Monat nach den unten angeführten Punkten geprüft werden. Die Wartungsüberprüfungen müssen regelmäßig durchgeführt werden. Andernfalls kann das Aktiv-Spielzeug umfallen oder auf andere Weise zur Gefährdung werden.

Holzteile

- Kontrollieren Sie das Holz auf Splitter und andere strukturelle Defekte.
- Regelmäßiges Streichen des Gerätes mit einer Außenbeize auf Ölbasis schützt vor Verwitterung. Verwenden Sie keine Farbe, die eine rutschige Oberfläche entstehen lassen könnte. Auf keinen Fall darf das Gerät lackiert werden.

Befestigungsmaterialien

- Als Sicherheitsmaßnahme sollten alle Muttern und Schrauben auf ihre Festigkeit hin überprüft werden. Zu fest angezogene Befestigungsmaterialien lassen das Holz zersplittern und brechen.
- Kontrollieren Sie die Befestigungsmaterialien, Beschläge und Schaukelhaken auch auf Roststellen, die die Stabilität des Gerätes beeinträchtigen könnten. Im Zweifelsfall ersetzen Sie die Teile.
- Überprüfen Sie, dass die Bodenverankerungen sicher sind. Ersetzen Sie diese gegebenenfalls.

Zubehör

- Prüfen Sie, dass die Rope Locks™ korrekt an den Jungle Gym® Schaukelhaken befestigt sind. Die Rope Locks HC™ können Sie kontrollieren, indem Sie sich einige Sekunden lang mit Ihrem vollen Gewicht an jedes Schaukelseil hängen. Ersetzen Sie die Teile falls notwendig. Die Rope Locks SC™ können Sie kontrollieren indem Sie sich einige Sekunden lang auf das Gerät setzen. Falls ein Quietschen auftreten sollte, können Sie die Rope Locks HC™ mit Wasser oder einem pflanzlichen Öl, z.B. Olivenöl einschmieren.
- Kontrollieren Sie die Schaukelsitze und Trapeze auf Ribbildung und Brüche. Kontrollieren Sie die Seile auf Ausfransung und Zerfaserung. Um ein Seil genau zu begutachten, sollten Sie die Stränge dort, wo sie ausgefranst sind, öffnen und die einzelnen Stränge des Seils auf ihre Festigkeit hin untersuchen. Prüfen Sie den Sicherheitsgurt der Babyschaukel. Wenn nötig oder im Zweifel austauschen.
- Kontrollieren Sie die Verbindung der Rutsche mit dem Untergrund und stellen Sie sicher, dass keine Spalten vorhanden sind. Seile könnten in ihnen stecken bleiben, was zu Verletzungen führen kann.
- Reinigung: Alle Elemente können mit Wasser und einem milden Haushaltsreiniger von Schmutz befreit werden. Starker Schmutz auf der Rutsche kann mit einem Hochdruckreiniger entfernt werden. Die Oberfläche der Rutsche und das Holz dürfen dabei nicht beschädigt werden.

Sicherheitsbereich

- Kontrollieren Sie den Untergrund regelmäßig unter dem Gesichtspunkt der Falldämpfung. Prüfen Sie, dass das Material, das den Boden bildet, weich ist. Lockern Sie es gegebenenfalls auf und füllen Sie Löcher unter Schaukeln mit Erde.
- Kontrollieren Sie die Stabilität des Gerätes.
- Prüfen Sie die direkte Umgebung des Gerätes nach Gefahren wie Äste, Wäscheleinen und herumliegende Gegenstände.

Umweltschutz

- Bei Entsorgung des Gerätes sind alle Metallteile zu entfernen und das Holz zur örtlichen Abfalldeponie zu bringen. Imprägniertes wie behandeltes Holz darf aus Gründen der Umweltverschmutzung nicht selbst verbrannt werden.

SICHERHEIT BEIM SPIEL

Achtung:

- Aufsicht durch einen Erwachsenen vor Ort ist für Kinder aller Altersgruppen jederzeit erforderlich.
- Unterrichten Sie die Kinder in der sicheren Anwendung der Geräte.
- Ziehen Sie Ihren Kindern geeignete Kleidung zum Spielen an. Vermeiden Sie jegliche Form von modischem Zubehör (z.B. Schals, Uhren, Schnüre usw.) und sehr weit sitzende Kleidung, die sich am Spielgerät verfangen könnte. Fahrradhelme sollten vor dem Spielen

ebenfalls abgesetzt werden.

- Versuchen Sie nicht zuletzt, jeder denkbaren Gefahr vorzubeugen.
- Jungle Gym® Produkte sind für Kinder von 3 bis 10 Jahren entwickelt, es sei denn, etwas anderes ist angegeben.

Sicherheit beim Spiel (bild 1)

- Bei nassem Wetter sind die Geräte feucht und rutschig und somit nicht zum Spielen geeignet. Auch bei Frost kann sich ein weicher Boden in einen harten Untergrund verwandeln. Bei Temperaturen unter 0° C sollten Sie das Zubehör abnehmen und im Haus aufbewahren.
- Die Spielgeräte und das Zubehör dürfen nur zweckentsprechend benutzt werden. Bei Mißachtung kann es zu Beschädigungen und Verletzungen kommen. Achten Sie darauf, dass Schaukeln, Ketten, Tauen oder anderes Zubehör nicht verdreht werden. Dadurch würden die Materialien strapaziert werden, und es kann außerdem zu Einklemmungen von Körperteilen kommen.
- Kinder sollten niemals:
 - beim Schaukeln abspringen
 - leere Schaukeln oder anderes Zubehör schwingen lassen
 - schräg Schaukeln
 - über Kopf vom Klettergerüst herab hängen
 - andere Schaukelnde Kinder festhalten oder stoppen
 - vor, hinter oder zwischen beweglichen Spielelementen laufen oder spielen
- Kinder sollten immer mit ihrem vollen Gewicht in der Mitte der Schaukel sitzen. Es ist nur ein Kind pro vorhandenem Sitz erlaubt. Bei einem Standard-Kletterturm können maximal 3 Kinder – mit einem Höchstgewicht von 50 kg je Kind – zugleich auf dem Turm spielen. Bei einem Kletterturm, der mit einer Schaukel kombiniert ist, können maximal 5 Kinder – mit einem Höchstgewicht von 50 kg je Kind – zugleich auf dem Turm spielen.
- Lassen Sie Kinder niemals auf Dächer der Türme und die obere Leiter des Moduls klettern. Ein Sturz aus grösserer Höhe kann Verletzungen verursachen.
- Der Spielbereich muss frei von jeglichen Hindernissen sein.
- Nicht gesicherte Bereiche an der Plattform stellen ein Unfallrisiko dar. Dieses Unfallrisiko wird durch das Anbringen von Handgriffen, Sicherheitsstützen oder Geländern verringert.
- Kinder sollten nur im Sitzen rutschen. Vermeiden Sie direkte Sonneneinstrahlung auf die Rutsche. Alle Teile des Spielgerätes können bei direkter Sonneneinstrahlung sehr heiß werden. Stellen Sie sicher, daß das Spielgerät nicht heiß ist, bevor Sie Ihre Kinder darauf spielen lassen. Falls notwendig kann das Spielgerät mit kaltem Wasser abgekühlt und danach abgetrocknet werden. Spritzen Sie kein Wasser auf die Rutsche um die Spielfreude zu erhöhen. Kinder würden dann zu schnell rutschen und könnten sich verletzen.

Erforderliches Werkzeug für den Aufbau (bild 2)

- Maßband, 2 Bleistift, 3 Handsäge, 4 Winkelmaß,
- Bohrmaschine, 6 Hammer

Anbringen von Schrauben und Muttern (bild 3)

- Bohren Sie ein Loch von 10 Millimetern Durchmesser in die Teile, die zusammengefügt werden sollen.
- Schlagen Sie den Zylinder der Mutter mit einem Hammer in das Loch. Der Zylinder der Mutter sollte ganz im Holz versinken. Platzieren Sie die Sicherheitsdichtung über den Schaft der Schraube, darüber die Abstandsscheibe und das Unterteil der Schutzkappe. Drehen Sie die Schraube zunächst mit der Hand in die Mutter. Ziehen Sie sie anschließend mit der 13-mm-Nuss mit Hilfe Ihrer elektrischen Bohrmaschine fest, bis die Sicherung der Sicherheitsdichtung vollkommen zwischen dem Kopf der Schraube und der Abstandsscheibe festgezogen ist. Schließen Sie die Schutzkappe mit der vorgesehenen Abdeckung.
- Sollte sich herausstellen, dass die Schraube zu kurz ist, raten wir, den oberen Teil des Lochs im dicksten Teil des Holzes mit einem 22-mm-Bohrfutter auf eine Tiefe von circa 15 mm aufzu-bohren, so dass die Schraube nach dem Zusammenfügen ganz im Holz verschwindet. Behandeln Sie die Öffnung mit Holzfarbe. Da die Schraube nun versenkt ist, wird die Abdeckkappe nicht mehr benötigt.
- Ist die Schraube zu lang, schneiden Sie das Gewinde mit einer Metallsäge ab und glätten Sie alle scharfen Kanten mit einer Metallfeile.

Vorböhen der Löcher (bild 4a+4b)

Damit das Holz nicht zersplittert, raten wir Ihnen, alle Löcher für die Schrauben vorzubohren. Diese Löcher müssen 10 mm kürzer als die Schrauben selbst sein. Werden Sechskant-Holzschrauben verwandt, sollte man ein Loch mit einem Durchmesser von 10 mm vorbohren.

Holzschrauben (bild 4a)

- Bohren Sie für Holzschrauben Löcher mit einem Durchmesser von 3 Millimetern vor.
- Es ist von größter Wichtigkeit, dass die Köpfe aller Schrauben bündig mit der Oberfläche des Holzes abschließen, und dass keine scharfen Kanten entstehen.

XL Stealth™ Holzschrauben (bild 4b)

- Für XL Stealth™ Holzschrauben bohren Sie zunächst ein Loch mit einem Durchmesser von 5 Millimetern in beide Teile, die aneinander zu bringen sind.
- Platzieren Sie die Abstandsscheibe und das Unterteil der Schutzkappe auf den Schaft der Schraube. Stecken Sie die Schraube in das Loch und ziehen Sie sie mit einer T-40 bit und mit Hilfe Ihrer Bohrmaschine fest. Schließen Sie die Schutzkappe mit der Abdeckung.

Vorsicht: Überdrehen Sie die Schrauben und Muttern nicht!

Bei Gebrauch von Hartholz kann es notwendig sein mit einem größerem Durchmesser vor zu bohren, je nach Intensität des Holzes.

040_805_GSI_de_0300_20120911_nA

SIKKERHEDSINSTRUKTIONER

Tillykke med dit nye Jungle Gym® -samlesæt. Med Jungle Gym®-samlesættet kan du på kort tid bygge en sikker legeplads til glæde for børnene i mange år fremover.

Jungle Gym®-samlesættet omfatter specielt udviklede dele, som er designet med stor vægt på børnenes sikkerhed. Delene har ingen skarpe hjørner eller fremstående dele og er endvidere modstandsdygtige over for al slags vejr. Udstyret er godkendt efter EU-standarden for legeplads til privat brug, EN 71-1,-2,-3,-8 & -9, forudsat at legepladsen samles og anvendes i overensstemmelse med denne vejledning. Følg derfor nøje vejledningen, og ændr ikke på designet.

Advarslar. Kun til privat brug. Kun til udendørs brug. Maksimum brugervægt er 50 Kg. Ikke egnet til børn under 3 år. Velegnet til børn fra 3 til 10 år.

Produktet er udelukkende beregnet til brug ved en familiehuse i villakvarterer. Hvis legepladsen bygges på offentlige arealer, er der helt klart tale om misbrug af produktet.

Læs byggevejledningen nøje, inden du påbegynder arbejdet.

SIKKERHEDSFORSKRIFTER

■ Anbefalet træ og tilskæring

- Legepladsens kvalitet afhænger af træets kvalitet. De penge, der kan spares ved køb af træ i en ringere kvalitet, vil i længden give flere udgifter, og samtidig vil forventningerne ikke blive indfriet.
- Udvælg topbjælken til en gynges med ekstra stor omhu. Bjælkens styrke kan testes på følgende måde: Læg bjælken således, at begge ender for eksempel hviler på hver sin kasse, og stig op på den. Brug en anden person som støtte og hop ca. 10 cm i vejret. Den herved frembragte belastning på bjælken svarer til en vægt på ca. 200 kg. Hvis bjælken kan holde til belastningen, er den velegnet som topbjælke. Det er normalt, at bjælken kan bøjes en anelse. Sorg for, at andre mennesker ikke kommer til skade, når bjælken testes.
- Hårdttræ er mere modstandsdygtigt over for insektangreb og råd end blødt træ. Blødt træ skal altid behandles, før det anvendes udendørs. Følgende træsorter er velegnede til bygning af legepladsen:
- Træ med en naturlig modstandsdygtighed over for råd og insektangreb, f.eks. lærketræ, Robinia, tropisk og europæisk hårdttræ, eg, kastanje og rød ceder.
- Trykimpregneret træ
- Behandl alle savede overflader og ender med et træbeskyttelsesmiddel beregnet til udendørs brug, så træet ikke rådner. Trykimpregneret træ skal også påføres et træbeskyttelsesmiddel.
- Vær især opmærksom på de dele, som har kontakt med jorden.
- Behandl også alle undersøgnede huller og hullerne til rebstigen eller klatrerobot med et træbeskyttelsesmiddel.

■ Sikkerhedszone

- Placer legesæt på en ikke asfalteret stabil underlag, såsom græs eller et fast lag af træ. Anbring ikke legepladsen på asfalt, grus, beton eller andre hårde underlag.
- Jordoverfladen skal være plan. Hvis legepladsen opstilles på hældende grund, er der risiko for, at den begynder at hælde eller "trække sig skæv". Hvis legepladsen begynder at hælde, belastes alle forbindelser og sammenføjninger yderligere, og med tiden vil disse løse sig og svigte.
- Sikkerhedszonen strækker sig 200 cm ud fra legepladsen til alle sider. Fald på sådanne underlag kan føre til person skade. Anbring om nødvendigt et absorberende underlag af løst materiale, f.eks.:

træflis	50 cm
fint grus	50 cm
groft sand	50 cm
træspåner	50 cm
græs	

- I sikkerhedszonen må der ikke forefindes nogen former for konstruktioner, hegn, garager, ude, overhængende grene, torresnore, elledninger eller andre genstande, der kan ned-sætte sikkerheden.
- Opstil legepladsen, så den ikke står i vejen for stier eller gennemgange.
- Gem byggevejledningen til senere brug.

■ Safe installation

- Børn bør ikke opholde sig i arbejdsområdet, før sikkerhedszonen er ryddet for alle forhindringer, legepladsen er færdigbygget, alle skruer m.v. er strammet og kontrolleret, og alle redskaber og øvrige genstande, der ikke hører hjemme på legeområdet, er samlet op.
- Det kræver mindst to personer at bygge legepladsen, da der skal holdes og løftes under selve opbygningen.
- Kontrollér alle delene, og grupper dem, så de ligger inden for rækkevidde. Sammenlign delene i kassen med de dele, der er anvist i vejledningen, og kontrollér, at disse stemmer overens.
- Benyt passende tøj samt sikkerhedsudstyr (f.eks. sikkerhedsbriller, støvmaske og handsker), når De saver, borer eller bygger.
- Følg denne sikkerhedsanvisning angående anvendt værktøj og tilbehør.
- Undlad at stå på platformen, før legepladsen er færdigbygget. Brug en stige, hvis der er for højt op.
- Legepladsen fastgøres i jorden med jordankre for at undgå, at den vælter eller forskydes. Hvis jorden ikke er stærk nok, skal jordankrene støbes i beton. Sørg for, at jordankrene ikke stikker op, så man kan falde over dem.
- Når legepladsen er bygget, fjernes eventuelle fremstående dele, såsom bolte og andre beslag, med en metalsav. Afrund alle skarpe kanter med en metalfil.
- For at undgå splinter slibes træet med sandpapir. Alle hjørner og kanter afrundes med sandpapir eller en fil.
- Der må ikke monteres ekstra tilbehør på legepladsen såsom reb og kæder.

- Jungle Gym® må ikke kombineres med produkter fra andre producenter, da det nedsætter sikkerheden.
- Anvend kun RopeLocks™ sammen med gyngekroge fra Jungle Gym®. RopeLocks™ må ikke anvendes til andre formål såsom bjergbestigning, hejsning eller slæbning.
- Gevindet på LS-gyngekrogen skal skrues helt ind i træet, så den strammes op mod tværbjælken. Det er vigtigt at justere gyngekrogen, så den sidder korrekt. En forker monteret eller justeret gyngekrog kan knække eller arbejde sig ud af træet og dermed forårsage skade!
- Afstanden mellem gynges (f.eks. sædet) og jorden skal være mindst 35 cm.
- Den indbyrdes afstand mellem gyngerne og stativet skal mindst være 30 cm.
- Afstanden mellem gyngekroge bør være 45 cm
- Afstanden mellem gynges o.lign. bør være 45 cm.
- Klatretov og rebstiger skal altid fastgøres både foroven og forned. I modsat fald skal den frie ende knyttes til et galgetov.

KONTROL OG VEDLIGEHOLDELSE

Af sikkerhedshensyn skal legepladsen kontrolleres ved brugtagning og derefter to gange om måneden i sæsonen. Kontrollen skal omfatte nedenstående punkter. Hvis der ikke foretages vedligeholdelseskontrol med jævne mellemrum, kan dette aktivitetslegetøj tippe eller på anden måde udgøre en fare for omgivelserne.

■ Vigtige trækomponenter

- Undersøg legepladsen for splinter og eventuelle fejl i konstruktionen.
- For at beskytte træværket og undgå revner og råd som følge af fugt anbefales det, at der jævnligt vedligeholdes med træbeskyttelse. Dette gælder også imprægneret træ. Det er kundens ansvar at vedligeholde træværket. Anvend ikke maling eller en anden behandling, der kan gøre overfladen glat.

■ Beslag

- Kontrollér, at alle skruer og møtrikker er spændt tilstrækkeligt. Vær opmærksom på, at strukturen i træet ikke ødelægges. Overspændte møtrikker og beslag kan forårsage ødelæggelser i træet.
- Kontrollér de øvrige beslag samt bøjler og gyngekroge for rust, som kan nedbryde materialet. Hvis De er i tvivl, skal beslagene udskiftes.
- Kontrollér, at jordankrene er sikrede. Juster eller udskift dem efter behov.

■ Tilbehør

- Kontrollér, at rebbeslagene (RopeLocks™) til gyngen er monteret korrekt. RopeLocks HC efterprøves ved at hænge i hvert enkelt tov i nogle sekunder. RopeLocks SC kontrolleres ved at belaste dem med din fulde vægt i nogle sekunder. Udskift efter behov. Hvis rebbeslagene (RopeLocks HC) piber, kan de fugtes med vand eller vegetabilsk olie, såsom olivenolie.
- Kontrollér, at sæderne på gyngen og trapezeringen er intakte. Undersøg, om rebet er nedslidt, eller om der er opstået ekstrem fiberdannelse som følge af vridning af gyngerne, ved at åbne tovet på slidtagedstedet, så fibrene kan kontrolleres for brud. Udskift rebet, hvis du er i tvivl.
- Kontrollér fastgørelsen af glidebanen til platformen for revner, hvor f.eks. snore til hætter kan sætte sig fast, og i værste fald medføre kvælning.
- Tilbehøret rengøres med et mildt rengøringsmiddel. Hvis rutschebanen er meget snavset, kan den rengøres med en højtryksrensers. Pas på, at rutschebanens overflade ikke beskadiges.

■ Sikkerhedszone

- Kontrollér jævnligt underlagets absorberende virkning.
- Kontrollér legepladsens stabilitet.
- Kontrollér de nærmeste omgivelser for faremomenter, f.eks. overhængende grene, torresnore og løstliggende materialer.

■ Miljøbeskyttelse

- Hvis legepladsen kasseres, fjernes alle metaldele og træet deponeres på den lokale forbrændingsanstalt. Af hensyn til miljøet må du ikke selv afbrænde de imprægnerede dele.

LEG SIKKERT

■ Vær opmærksom på følgende:

- Der bør altid være en voksen i nærheden, når børnene leger – uanset deres alder.
- Lær børnene at lege sikkert på legepladsen.
- Jungle Gym® er produceret til børn i alderen 3 til 10 år, med mindre andet er angivet.
- Børnenes påklædning bør være egnet til udendørs leg. Undgå løst hængende tøj og tilbehør med snore, som kan hænge fast i legeredskabet.
- Sidst, men ikke mindst: Brug fornuften, og vær opmærksom på farlige situationer.

■ Leg sikkert (ill. 1)

- 1 Legepladsen bør ikke anvendes i vådt vejr og i frostvejr, da overfladen kan være glat. Selv den blødeste sne kan blive til hård is. Tilbehøret bør opbevares indendørs, når temperaturen falder til under 0° C.
- 2 Anvendelse af legeplads og tilbehør udover det anbefalede kan forårsage ting- eller personskade. Gynges, kæder, reb og andet tilbehør må ikke vrides eller vikles, da dette reducerer tilbehørets styrke og levetid og kan medføre, at børnene sidder fast.
- 3 Advar børnene om ikke at
 - hoppe af gyngen under bevægelse;
 - svinge en tom gynges eller andet tilbehør;
 - gynges på tværs;
 - hænge på hovedet på dele af legepladsen;
 - stoppe eller hive i et andet barn, som er i bevægelse;

- gå for tæt på, foran, imellem eller bag ved legetøj i bevægelse.
- 4 Børnene bør sidde midt på gyngen med deres fulde vægt på sædet. Der må ikke være flere børn på legepladsen, end den er beregnet til. På et almindeligt klatretårn må der højst lege tre børn samtidig på maks. 50 kg hver. På et klatretårn kombineret med en gynges må der højst lege fem børn samtidig på 50 kg hver.
 - 5 At klatre eller hænge på klatrestativet kan forårsage alvorlige skader ved fald.
 - 6 Legeområdet skal holdes fri for alle genstande og forhindringer.
 - 7 En åben platform øger risikoen for ulykker. Risikoen reduceres ved at montere sikkerhedsudstyr som f.eks. håndtag, sikkerhedsremmer og afskærmning.
 - 8 Rutschebanen må kun anvendes i siddende stilling. Tilbehøret kan blive varmt, når det påvirkes af direkte sollys. Sorg derfor altid for, at tilbehøret ikke er for varmt, inden børnene begynder at lege, f.eks. ved at nedkøle det med koldt vand og derefter tørre det. Sprøjt ikke vand på rutschebanen for at gøre det sjovere. Farten bliver derved for stor, hvilket kan forårsage personskade.

■ Anbefalet værktøj til opbygning (ill. 02)

- 1 Målebånd
- 2 Blyant
- 3 Håndsav
- 4 Træ- og metalfil..
- 5 Børemaskine
- 6 Hammer

■ Standardboltsamling (ill. 3)

- Bor et ø10 mm hul ø i de dele, der skal samles.
- Slå en svejsemøtrik ned i hullet med en hammer. Den frem-springende krave på svejsemøtrikken skal være helt nede i træet.
- Anbring først låseskiven og derefter den flade skive og den nederste del af beskyttelseshætten på bolten. Skru indledningsvis bolten i med hånden, så den sidder fast i svejsemøtrikken. Stram derefter hver enkelt bolt ved hjælp af en elektrisk børemaskine og en 13 mm bit, indtil låseskivens fjedervirkning er helt neutraliseret mellem bolthovedet og den flade skive. Sæt den øverste del af beskyttelseshætten på skruen.
- Hvis bolten er for kort, anbefales det at undersøge den øverste del af hullet i den tykkeste del af træet ved hjælp af et Ø22 mm bor til en dybde af 15 mm eller mere, så bolten er forsænket efter montage. Behandl hullet med bejds. Da bolthovedet nu er forsænket, er det ikke nødvendigt at sætte beskyttelseshætten på bolten.
- If the bolt appears too long, it is necessary to remove the protruding end by cutting it off using a metal saw. If any sharp edges appear, use a file.
- Hvis bolten er for lang, skal det fremspringende stykke fjernes ved hjælp af en metalsav. Fil eventuelle skarpe kanter.

■ Pilotuller (ill. 4a+4b)

For at forhindre træet i at flække anbefales det at bore pilotuller til alle skruer. Pilotullerne bør være 10 mm kortere end skruernes længde.

■ Træsruer (ill. 4a)

- Bor ø3 mm pilotuller til træsruerne.
- Det er meget vigtigt at sørge for, at alle skruehovederne er i niveau med træet, og at der ikke er nogen fremtrædende skarpe kanter.

■ XL Stealth™ franske skruer (ill. 4b)

- For at isætte en XL Stealth™ fransk skrue skal der først bores et ø5 mm hul gennem begge de dele, der skal samles.
- Anbring den flade skive og den nederste del af beskyttelseshætten på skruen. Anbring skruen i hullet, og stram den med en elektrisk børemaskine med en T40 bit. Sæt den øverste del af beskyttelseshætten på skruen.

Forsigtig: Undlad at overstramme bolte og skruer!

Når man anvender hårdt-træ, kan det være nødvendigt at forfore med en større diameter, afhængig af træets densitet (massefylde).

040_805_GSI_da_0300_20120911_nRA

SIKKERHETSINSTRUKSJONER

Gratulerer med din anskaffelse av Jungle Gym® lekeapparat. Med dette "gjør det selv" settet , kan du enkelt og raskt bygge et sikkert stativ som vil bli meget populært hos dine barn i mange år fremover.

Jungle Gym® sett inneholder spesielt utviklet beslag og festemateriell. Alle delene er designet med stor omtanke på barns sikkerhet. Det er ingen skarpe kanter eller utstikkende deler. Materialene er sikre uansett vær og temperatur. Alle delene i settet er produsert og godkjent i henhold til EN 71-1,-2,-3, -8 & -9 (ESS - European Safety Standard) for privat bruk, under forutsetning av at lekeapparatet monteres, og brukes i henhold til monteringsanvisningen. Ikke foreta avvik fra monteringsanvisningen, eller forsøk å endre design.

Advarsel. Kun for privat bruk. Kun for bruk utendørs. Maksimumsvekt for brukeren er 50 kg. Ikke egnet for barn under tre år. Egnet for barn fra tre til ti år.

Dette produktet er hensiktsmessig å bruke for enkelthustander. All offentlig bruk av dette apparatet betegnes som misbruk.

Les nøye gjennom manualen før du starter monteringen. Ta vare på disse instruksjonene for eventuell bruk i fremtiden.

SIKKERHETSINSTRUKSJONER

■ Valg av trevirke

- Kvaliteten på settet reflekteres i kvaliteten på trevirket du benytter. De pengene du eventuelt sparer på å kjøpe trevirke av lavere kvalitet, forsvinner raskt i irritasjon, under byggingen av stativet, og vil gi langt mindre glede.
- Spesielt viktig er det at bærebjelken (tværligger) på huskestativet er av god kvalitet. En god bærebjelke bør tåle ca. 200 kg. Legg bjelken mellom to bærepunkter og hopp ca 10 cm høyt på bjelken.
- Vær oppmerksom på at det er normalt med noe "bøy" på bjelken uten at dette forringes kvaliteten. Hvis bjelken ikke sprekker er den sterk nok.
- Trevirket må være motstandsdyktig mot insektskader og råte. Vi anbefaler trykkimpregnert trevirke eller hardtre. Følgende trevirke er egnet for lekestativet:
 - Tropisk hardtre, Europeisk hardtre, Eik, Rød cedar
 - Trykkimpregnert trevirke.
- Spesielt viktig er det for trykkimpregnert trevirke at det behandles med olje der hvor det er boret eller sagt. Deler som er i direkte kontakt med bakken, bør også behandles ekstra godt med olje.
- Alle hus og fresespor som er foretatt i trevirke må behandles med impregnering, for ikke å svekke kvaliteten på trevirket.

■ Trygt lekeområde

- Plasser lekesett på en fast dekke jevn overflate, for eksempel gress eller et solid lag av sand. Monter ikke stativet på hardt underlag (betong, asfalt m.m.) da et fall på dette underlaget kan forårsake store skader.
- Grunnen hvor apparatet skal stå bør være plant. Hvis apparatet monteres på ujevnt underlag kan dette forårsake bevegelser i apparatet, og over tid forringe kvaliteten og sikkerheten.
- Et trygt lekeområde betyr at det skal være en sikkerhetssone på 200 cm rundt hele lekeapparatet. Fyll den støtdempende beskyttelsen i hele sikkerhetssonen. Dersom det er nødvendig, installer en egen støtdempende beskyttelse på bakken som for eksempel:

dobbelt oppskjært fuktig bark	dybde på 50 cm
trellis	dybde på 50 cm
fin sand	dybde 50 cm
fin grus	dybde 50 cm
gress	

- I sikkerhetssonen må det ikke være steiner, gjenstander, gjerder, garasje, hus, overhengende grener fra trær, klessnorer, elektriske ledninger eller andre ting som kan gjøre det farlig å bruke lekeapparatet.
- Stativet bør heller ikke monteres i nærheten av gangvei og lignende.
- Eventuelle fysiske avgrensninger for å holde sand etc. på plass, eller gjerder rundt lekeplassen, må monteres på sikker avstand fra lekeapparat, slik at disse ikke kommer i konflikt, og kan skape farlige situasjoner for barna under lek.

■ Sikker montering

- Barn bør holde seg borte fra plassen til stativet er ferdig montert og alle løse deler er ryddet bort.
- Det kreves minst to personer for å bygge stativet. Det tar ca 1 time å montere et huskestativ, og ca 4 timer å montere et klatretårn.
- Kontroller alle delene, og se at det er riktig antall i henhold til anvisningen.
- Benytt hensiktsmessige klær og sikkerhetsutstyr (arbeidsbriller, støvmaske og hansker), når du sager, driller, maler eller monterer stativet, spesielt viktig hvis du arbeider med trykkimpregnerte materialer.
- Følg produsentens sikkerhetsanbefalinger for verktøy og utstyr.
- Ikke stå på plattformen for apparatet er komplett ferdigmontert. Bruk stige hvis du ikke rekker høyt nok.
- Stativet må forankres forskriftsmessig til bakken for å unngå at det beveger seg under lek. Benytt Jungle Gym® Forankringsbolter for å unngå dette. Hvis grunnen er myk, bør forankring støpes i bakken. Påse at forankring ikke stikker over bakken, slik at barna ikke kan skade seg på dem.
- Etter montering, bør en metallsg (baufil) benyttes for å kutte bort utstikkende deler fra bolter og annet festemateriell.
- Benytt sandpapir eller annet slipemateriale for å fjerne splinter, eller ujevne kanter i trevirket. Puss også endestokker og andre skarpe kanter bort fra trevirket.
- Ikke fest annet tilbehør til stativet som for eksempel kjetting, wire. Benytt heller ikke utstyr fra andre merker enn Jungle Gym på stativet, da dette kan forringe sikkerheten.
- Kombiner ikke produkter fra andre produsenter med Jungle

- Gym® produkter, da dette vil kunne minske sikkerheten.
- Ved evt. Montering av andre tau eller lignende, bør Jungle Gym® Taulås benyttes, sammen med Jungle Gym® Swing Hook.
- Huske-tauret på huske-kroken (Swing Hook LS) må skrus helt inn i trevirket, slik at det kommer helt inn til tværbjelken
- Avstanden fra huske (eller tilsvarende bevegelige apparater), og ned til underlaget bør være min. 35 cm.
- Avstanden mellom huske og til ramme bør være min. 30 cm.
- Avstanden mellom huske-krokene skal være 45 cm.
- Avstanden mellom huskene/gyngene skal være 45 cm.
- Et klatretau bør sikres (festes) i begge ender, for å unngå at barn klemmes eller kveles i tauet.

INSPEKSJON OG VEDLIKEHOLD

For å ivareta sikkerheten på lekeapparatet, må apparatet ha ettersyn i begynnelsen av hver bruksesong, og 2 ganger pr. måned under sesongen. Hvis vedlikeholdet ikke utføres regelmessig, kan leketøyet velte eller på annen måte utgjøre en fare.

■ Trevirke

- Sjekk for splinter eller potensielle svakheter i trevirket.
- Ivareta trevirket med oljeimpregnering eller liknende for å unngå råte og/eller uttørring. Benytt ikke blank maling som gir glatt overflate.

■ Beslag og festemateriell

- Kontroller at alle bolter og skruer sitter godt fast. (NB! Dersom bolter og lignende strammes for hardt kan dette forårsake at trevirket splintres.
- Kontroller at det ikke forekommer rust på noe av festemateriell. Bytt hvis nødvendig.
- Kontroller at festene i bakken sitter godt – slik at de ikke kan løsne. Hvis de er løse, må du flytte festene i bakken, eller lage nye fester.

■ Tilbehør

- Sjekk taulåser, at disse sitter forskriftsmessig fast. Heng med full kropsvekt i tauene for å kontrollere at tauene ikke sklir ut av feste. Heng opp nye tau dersom de gamle er slitt. Hvis taulåsene knirker, kan de fuktet med vann eller vegeta bilsk olje, som f.eks. olivenolje.
- sjekk huskeseter og bjelker for helhet og sjekk husketau for slitasje i fibrene. For å gi god bedømmelse på kvaliteten til tauet, sjekk der fibrene er slitt for å se om de trådene i tauet er odeltag. Sjekk sikkerhetsbeltet på baby-husken. Erstatt ved behov.
- Kontroller festet for rutsjebanen, at denne ikke har sprekker eller gliper, som kan forårsake at barna kan henge seg fast med tøy, seler etc.
- Alle artikler kan rengjøres med varmt vann, og eventuell en mild såpe og svamp kan benyttes. Dersom noen av artiklene er spesielt skitne, kan høytrykksspyler benyttes.

■ Trygt lekeområde

- Påse at underlaget ikke er hardpakket. Dette bør løses opp. Spesielt under huskene er det vanlig at det dannes seg "groper". Disse bør fylles igjen med støtdempende materiale.
- Kontroller stativets stabilitet.
- Kontroller omgivelsene for overhengende grener, tørketau m.m.

■ Miljøvern

- Brenn ikke resterende trevirke på stedet. Det er spesielt miljø farlig og ulovlig å brenne behandlet trevirke, da spesielt trykkimpregnert trevirke. Impregnert avfall bør leveres til nærmeste avfallsdepot.

SIKKER LEK

NB

- Stativet må overvåkes av voksen person under bruk.
- Lær barna å leke sikkert
- Jungle-Gym er konstruert for barn i alderen 3-10 år, med mindre annet er indikert.
- Påse at barna er kledd hensiktsmessig. Strikk og løse artikler kan feste seg i apparatet og forårsake skade.
- Sist men ikke minst; bruk sunn fornuft, og påse at barna ikke blir utsatt for farlige situasjoner.

■ Sikker lek (ill 1)

- 1 Apparatet bør ikke benyttes i fuktig vær eller frost, da det kan forekomme glatte overflater på stativet.T.o.m. det mykeste underlaget kan bli hardt når det er kaldt. Stativets tilbehør bør demonteres og tas Innendørs ved temperaturer under 0 gr. C.
- 2 Benytt ikke apparatets tilbehør til annet enn hva det er beregnet for. Delene kan skades, og defekte deler kan forårsake skader. Ikke vri eller bøy husker, kjettinger, tau eller annet tilbehør. Slik behandling kan forårsake redusert kvalitet på tilbehøret, og forårsake skader.
- 3 Barn bør ikke:
 - hoppe av husker i bevegelse.
 - Huske tomme husker eller andre huske-artikler
 - Huske utenom normalvinkel.
 - Henge opp/ ned fra stativet.
 - Gripe eller stoppe andre barn som er i bevegelse i apparatet.
 - Være foran eller bak artikler som er i bevegelse.
- 4 Oppfordre barna til å sitte midt på huskesetet, med full vekt på setet. Det bør ikke være mer enn et barn på hvert sete, klatretau, eller taustige av gangen. På et klatrestativ bør det ikke være mer enn 3 barn av gangen, med totalvekt på max. 50 kg. hver. Et klatrestativ med tilleggsmontert huskestativ bør ikke benyttes av mer enn 5 barn med maksvekt på 50 kg., samtidig.
- 5 Barn bør ikke klatre eller henge fra stativets bærekonstruksjon (ramme), da barna kan skade seg ved fall.
- 6 Lekeområdet må være fritt for alle slags gjenstander og hindringer.
- 7 Hvert usikrede (åpne) steder på et klatrestativ øker risikoen for skade. Sikkerheten reduseres ved å montere håndtak, gelender m.m.
- 8 Ikke tillatt barna å benytte rutsjebanen i annet enn sittende

stilling. Unngå at rutsjebanen utsettes for sterkt sollys, da denne kan oppvarmes og barn kan brenne seg. Påse at denne ikke er overopphetet for bruk. Hvis nødvendig kan rutsjebanen kjøles ned med vann. Tork stativet for bruk.

■ Nødvendig verktøy (ill. 2)

- 1 Målbånd
- 2 Blyant
- 3 Stikksag
- 4 Tre og metall fil
- 5 Elektrisk drill (evt. Kraftig batteridril)
- 6 Hammer

■ Standard bolt-koblinger (ill. 3)

- Bor et hull med ø 10 mm i de delene som skal festes.
- Slå gjengestykket (mottaksmutteren) inn i trevirket.
- Tre sprenskiven på bolten, og deretter, bolthetten, og til sist sokkelen for boltdekslet. Begynn å dra til bolten inn i mottaksmutteren for hånd, og fortsett med en 13 mm fastskelbitset i din elektriske drill for å dra til hver bolt, helt til sprenskiven er fullstendig presset mellom hodet på bolten og planskiven. Lukk beskyttelseshetten på bolten med hetten.
- Hvis det viser seg at bolten er for kort, anbefaler vi å bore i motsatt retning i den øverste delen av hullet i den tykkeste delen av trevirket, med et bor på ø22 mm, til en dybde på 15 mm eller mer, slik at bolten vil synke inn etter monteringen. Mal over det hullet som oppstår. Ettersom bolten nå er freset inn trenger du ikke bruke bolt-beskyttelses-hetten.
- Hvis det dannes skarpe Utstikkere benytt metall-fil for å fjerne dette.

■ Forbore (ill 4a-4b)

For å unngå at trevirket skal sprekke, forbore for montering. Du bør ikke forbore mer enn 10 mm kortere enn skruens lengde, for å sikre at skruen får tak i trevirket.

■ Treskruer (ill. 4a)

- Bor ø3 mm pilot-hull for treskruer.
- Det er svært viktig å kontrollere at toppen på alle skruer går jevnt med overflaten på trevirket, slik at det ikke er noen skarpe kanter som stikker fram.

■ XL Stealth™ gjennomgående skruer (ill. 4b)

- For XL Stealth™ gjennomgående skruer må du først bore et hull ø5 mm gjennom boltene som skal festes.
- Tre planskiven og sokkelen for boltdekslet på bolten. Plasser skruen i hullet, og skru med T40 fastnokkelbitset i din elektriske drill for å dra til. Lukk beskyttelseshetten på bolten med toppen.

Viktig: Ikke dra til boltene og skruene for hardt!

Hvis du burker hardtre, anbefaler vi å forbore med tykkere diameter, avhengig av tettheten (hardheten) på trevirket.

040_805_GSI_no_0100_20101018_nA

SÄKERHETSINSTRUKTIONER



Gratulerar till köpet av en gör-det-själv-sats från Jungle Gym®. Med Jungle Gym®-satsen kan du bygga en säker lekplats på kort tid: ett garanterat glädjeämne för dina barn under många år.

Jungle Gym®-satserna är speciellt framtagna. Materialet är omsorgsfullt utvecklat med barnens säkerhet för ögonen. Materialet har inga vassa kanter eller delar som sticker fram och det har behandlats för att stå emot väder och vind. Alla delar i satsen uppfyller kraven enligt EN 71-1,-2,-3, -8 & -9 (European Safety Standard) för privat bruk, under förutsättning att lekplatsutrustningen byggs och används enligt instruktionsboken. Följ instruktionsboken och ändra inte på byggkonstruktionerna.

SV

Varningar. Endast för hemmabruk. Endast för användning utomhus. Den maximala användarvikten är 50 kg. Inte lämplig för barn under tre år. Lämplig för barn mellan tre och tio år.

Produkten är avsedd endast för privat bruk. Montering för offentlig bruk eller på offentlig plats är ett påtagligt missbruk av produkten.

Läs igenom instruktionerna noggrant innan du börjar bygga. Spara de här bygginstruktionerna för framtida bruk.

SÄKERHETSINSTRUKTIONER

■ Val av virke

- Din klätterställnings kvalitet bygger på virkeskvaliteten du köper. Pengarna som du sparar på virke av lägre kvalitet förlorar du snabbt i frustration medan du bygger och resultatet blir en produkt som inte uppfyller förväntningarna lika bra.
- Gungans toppbjälke ska väljas med extra omsorg. Du kan testa bjälkens hållfasthet genom att lägga den med ändarna på till exempel två backar. Be någon hjälpa dig att hålla balansen och hoppa sedan ca 1 dm upp i luften. Påfrestningen på bjälken blir då ungefär som 200 kg ren vikt. Om bjälken varken knäcks eller spricker, är den lämplig som toppbjälke. Det är normalt att bjälken böjs något. Var försiktig så att ingen skadas.
- Följande virke är lämpligt för att bygga din lekplats:
 - Virke med en naturlig resistens mot träröta och insektsskador, t.ex. Robinia, tropiskt hårdträ, europeiskt hårdträ, ek, kastanj, röd ceder.
 - Tryckbehandlat virke.
- Behandla alla sägtytor och ändrar med utomhus lasyr för att förhindra träröta, även om du använder tryckbehandlat virke.
- Var extra noggrann med delarna som rör vid marken.
- Behandla även alla nersänkta hål och hål för repstegar eller klätterrep med lasyr.

■ Safe play area

- Placera Playset på en obelagda och stadigt underlag, exempelvis gräs eller ett fast skikt av sand. Bygg inte din lekplats på betong, grus, asfalt jord eller andra hårda ytor.
- Markytan måste vara jämn. Om du bygger lekplatsen på sluttande mark kan den luta och bli ostadig. Lutningen leder till att alla förbindelser och leder utsätts för högre påfrestningar, vilket så småningom kan leda till att de luckras upp och går sönder.
- Säker lektyta refererar till en zon som är mer än 200 cm för själva lekställningen på alla sidor. Fall på hårda ytor kan leda till svåra skador. Installera marktäckning i den säkra lekzonen. Här följer en lista över marktäckande material som rekommenderas.

Föreslaget material	okomprimerat djup
Barknull	50 cm
Tråflisor	50 cm
Fin grus	50 cm
Fin sand	50 cm
Gräs	

- Den säkra lektytan ska vara fri från närmaste byggnad eller hinder, såsom staket, garage, hus, låga grenar, tvättlinor eller elektriska ledningar.
- Placera inte din lekplats i riktning mot trottoarer eller gångar.
- Eventuella kanter runt marktäcket måste ligga utanför det säkra lekområdet. (t.ex. plankor)

■ Säker installation

- Barn bör inte vistas i byggområdet förrän alla verktyg och annat som används vid byggandet är borttagna och lekplatsen är helt monterad med åtdragna och kontrollerade skruvar och bultar.
- Det krävs minst två personer vid lekplatsbygget för att lyfta och hålla i bjälkar, ställningar och andra tunga tillbehör som ska fästas med bultar eller skruvas fast. Det tar en timme att bygga en gungställning och upp till fyra timmar att bygga ett klättertorn.
- Kontrollera delarna och gruppera dem systematiskt så att du har dem inom räckhåll. Jämför dem med listan över delar.
- Använd rätt kläder och säkerhetsutrustning (t.ex. skyddsglasögon, munskydd och handskar) när du säger, borrar, slipar, betsar eller sätter ihop lekplatsen - framför allt när du arbetar med tryckbehandlat virke.
- Följ tillverkarens säkerhetsrekommendationer för verktygen och utrustningen du använder.
- Stå inte på plattformen förrän lekplatsen är komplett ihopsatt; använd stege om du inte når högt nog.
- Lekplatsen måste förankras säkert för att ställningen inte ska kunna välta eller skaka. Om marken är så lös att pålar lätt kan ryckas upp, behövs cementering. Se till att inga markankare sticker upp ur marken eftersom barn lätt kan snubbla över dem.
- När du satt ihop lekplatsen, bör du använda en metallsåg för att säga av alla utstickande gånggade ändrar av bultar och andra fästnanordningar. Slipa bort alla vassa kanter med en metallfil.
- Sandpappra träet för att förebygga flisor. Slåta även till alla hörn med sandpapper eller en metallfil till en radie på 3 mm.
- Sätt inte fast ytterligare föremål, såsom rep, kedjor, tjocka snören eller dylikt, på den här lekplatsen.
- Kombinera inte produkter från andra tillverkare med Jungle Gym®-produkter. Det kan äventyra säkerheten.
- Använd bara RopeLocks™ tillsammans med gungkrokar från Jungle Gym®. Använd inte RopeLocks™ för andra syften, till

exempel bergsklättring eller att dra tunga laster.

- Skruvöglan till Swing Hook LS ska skruvas helt in i och dikt mot tvärbjälkens trä. Det är viktigt att Swing Hook öglorna sitter i linje och i korrekt läge. En felaktig montering eller öglor som inte sitter i linje kan gå sönder, dras ut eller på annat sätt förorsaka skador!
- Avståndet mellan gungtillbehör (t.ex. en gungsits) och marken bör vara minst 35 cm.
- Avståndet mellan två gungor eller mellan gunga och ställningsram bör vara minst 30 cm.
- Avståndet mellan Swing Hook öglorna ska vara 45 cm.
- Avståndet mellan gungtillbehören ska vara 45 cm.
- Klätterrep och repstegar måste alltid fästas både upptill och nertill eftersom ett fritt hängande rep kan knytas till en snara och barn kan fastna och kvävas.

KONTROLL OCH UNDERHÅLL

För användarsäkerhetens skull måste lekplatsen säkerhetsgranskas enligt nedan - en gång i början av säsongen och ytterligare två gånger per månad under användningssäsongen. Om underhållskontrollerna inte utförs regelbundet kan lekplatsen välta eller på annat sätt bli farlig.

■ Träkomponenter

- Kontrollera flisor och eventuella andra defekter i träets struktur.
- Underhåll ställningen genom att betsa den utvändigt regelbundet för att förebygga träröta. Använd inte målarfärg som kan göra ytan hal.

■ Monteringsmaterial

- Kontrollera alla monteringsdelar så att de är ordentligt åtdragna. Varning: Skruvar och bultar som dras åt för hårt krossar träets fibrer och leder till att det spricker.
- Kontrollera även rost, som kan påverka styrkan hos övriga material, beslag och gungkrokar. Byt ut dem vid behov.
- Kontrollera markankaren för att försäkra dig om att de är säkrade. Byt ut eller flytta om nödvändigt.

■ Tillbehör (vid behov)

- Kontrollera RopeLocks™ så att de sitter rätt på Jungle Gym®-gungkrokarna. För att kontrollera RopeLocks HC, hänger du dig med hela din kroppsvikt på varje enskilt gungrep i några sekunder. RopeLocks SC kan kontrolleras genom att man sitter på tillbehöret med hela sin kroppsvikt i några sekunder. Byt ut om nödvändigt.
- Om det hörs gnissel, kan man fukta RopeLocks HC med vatten, eller vegetabilisk olja så som olivolja.
- Kontrollera stabiliteten hos gungsitsar och bjälkar och kontrollera att gungrepen inte börjat trasas sönder eller luckras upp i fibrer. För att bättre bedöma repets tillstånd, kan du dra isär det där det är slitit och titta noga om fibrerna är avslitna. Kontrollera babygungans säkerhetsbälte. Byt ut det vid behov.
- Kontrollera rutschbanans fäste mot plattformen så att ingenting sticker upp som till exempel kapuschongsnören kan fastna i - vilket kan leda till kvävning.
- Alla tillbehör kan rengöras med varmt vatten och ett mildt rengöringsmedel. Svårt nersmutsade rutschbanor kan rengöras med högttryck stvätt. Var försiktig så att du inte skadar rutschbanans ytskikt.

■ Safe play area

- Kontrollera att det stötdämpande markskiktet inte är alltför komprimerat. Luckra upp det om det behövs. Fyll i eventuella hål, till exempel under gungsitsar.
- Kontrollera ställningens stabilitet.
- Kontrollera riskmomentet i omgivningen, t ex låga grenar, tvättlinor, lösa material.

■ Miljöskydd

Trädelar av lekplatser bör aldrig tändas när de kastas. Gör dig av med alla metalldelar på ett säkert sätt. Man får inte bränna tryckbehandlat, betsat eller målat virke själv eftersom det är miljööförligt. Ta med det till din lokala miljöstation.

SÄKER LEK

■ Obs:

- Vuxna måste övervaka leken på plats. Det gäller barn i alla åldrar och vid alla tillfällen.
- Lär barnen att leka säkert.
- Klä barnen rätt. Undvik accessoarer och kläder med dragnören och stora kläder, som kan fastna eller rivas sönder på utrustningen.
- Sist men inte minst: Använd sunt förnuft för att undvika eventuella faromoment.
- Jungle Gym®-produkter är avsedda för barn i åldrarna 3-10 år, om inte annat anges.

■ Säker lek (ill. 1)

- Utrustningen bör inte lekas på vid våt väderlek eftersom ytorna kan bli hala. Vid frost kan även den mjukaste mark förvandlas till en mycket hård yta. Tillbehör ska tas av och förvaras inomhus när temperaturen underskrider 0° C (32° F).
- Om lekplatsen eller tillbehören används på något annat sätt än det de är avsedda för, kan det leda till material- eller personskador. Snurra och vrid inte gungor, kedjor, rep eller andra tillbehör. Att snurra dem gör tillbehören mindre hållbara och kan leda till kvävning.
- Säg till barnen att inte:
 - hoppa ner från gungor som är i rörelse
 - gunga tomma gungsitsar eller andra tomma tillbehör
 - gunga snett
 - hänga upp och ner från någon del av ställningen.
 - ta tag i eller hejda ett annat barn på ett tillbehör som rör sig
 - gå nära, framför, mellan eller bakom tillbehör som rör sig
- Säg till barnen att sitta mitt på gungorna, med hela sin vikt på sitsarna. Platser bör användas som beräknat av tillverkaren, av ett barn i taget. Ett standardtorn: max 3 barn får leka på

ställningen. Maxvikten per barn är 50 kg. Ett standardtorn kombinerat med en gunga: max 5 barn får leka på ställningen. Maxvikten per barn är 50 kg.

- Man bör inte låta barn klättra eller hänga på själva ställningsramen. Fall kan leda till svåra skador.
- Lekytan ska vara fri från alla typer av föremål eller hinder.
- Varje öppen yta på en plattform ökar olycksrisken. Risken kan minska avsevärt genom att man sätter upp säkerhetsutrustning, såsom handtag, säkerhetsräcken och brädor.
- Låt inte barnen åka rutschbana på något annat sätt än sittande. Undvik att utsätta rutschbanan för solljus söderifrån. Alla delar kan bli varma när de utsätts för solljus. Kontrollera att lekplatsen inte är varm innan du låter barnen leka. Om det behövs, kan ställningen kylas av med vatten. Torka den innan den används. Spruta inte vatten på rutschbanan för att öka lekglädjen. Barnen åker då för fort och det kan leda till skador.

■ Verktyg som krävs (ill. 2)

- Måttband
- Blyertspenna
- Metallsåg
- Trå- och metallfil
- Elektrisk bormaskin
- Hammare

■ Standardbultkopplingar (ill. 3)

- Borra ett 10 mm hål i de delar som ska monteras.
- Driv in den svetsade mutterhylsan i hålet med en hammare. Den utskjutande hylsan på den svetsade muttern ska vara inne i träet.
- Placera låsbrickan över bultens skaft följd av planbrickan och den undre delen av bultöverfallet. Dra åt bulten i den svetsade muttern för hand innan du använder en 13 mm hylsa i din elektriska skruvdragare för att dra åt bultarna tills låsbrickorna är så hårt komprimerade mellan bultöverudet och planbrickan att de är helt plana. Stäng bultöverfallets överdel.
- Om bulten verkar för kort rekommenderar vi att du borrar upp den övre delen av hålet, i den tjockaste delen av träet, med ett 22 mm borr till ett djup på 15 mm eller mer så att bulten sjunker ner efter montering. Stryk lasyr i det borrade hålet. Eftersom bulten nu är nersänkt behöver överfallet inte användas.
- Om bulten verkar för lång, måste den överskjutande biten klippas av. Om det bildas några vassa kanter, använder du en fil.

■ Förbörning (ill. 4a + 4b)

För att träet inte ska splittras, bör du alltid förborra innan du skruvar. De här förborrade hålen är 10 mm kortare än skruven.

■ Träskruv (ill. 4a)

- Borr 3mm för träskruv.
- Det är viktigt att skruvkallen är inte sticker upp ovanför träytan, samt att den ej har några skarpa uppstickande kanter.

■ XL Stealth™ träskruv med rund skalle (ill. 4b)

- För XL Stealth™ träskruvarna med rund skalle borras ett 65 mm hål genom båda delarna som ska sättas fast.
- Placera en planbricka och den undre delen av bultöverfallet på skruvskaftet. Placera skruven i hålet och använd en T40 hylsa och en elektrisk skruvdragare. Stäng bultöverfallet med den övre delen.

Varning: dra inte åt skruvarna och bultarna för hårt!

När man använder hårdträ kan det vara nödvändigt att borra hålen något större beroende på träets densitet.

040_805_GSL_sv_0300_20120911_n1A

MANUFACTURERS LIMITED WARRANTY

Subject to normal use this product is guaranteed by Jungle Gym®, to the original purchaser for a period of 2 years from date of purchase, on the following conditions:

- That those defects are attributable to flaws or defects in materials or manufacturing defect.
- That the directions of both part 1, 2 and 3 of our instruction manual have been thoroughly observed and followed.
- That the products only have been used for the construction of play sets for single-family residential purposes.

■ This limited warranty does not cover:

- The labour or cost of labour for replacement of the defective item.
- The cost of freight for replacement part after the initial 30 day period.
- Any incidental or consequential damages.
- Items damaged due to vandalism, neglect, improper usage, improper installation, normal wastage, extreme weather conditions or other abnormal conditions.
- Cosmetic defects that do not affect the structural integrity of the unit.
- Cases of fading of colours or minor deviations that cannot be technically anticipated or prevented are generally accepted in trade.
- Any modifications added to components and accessories.

■ Warranty procedure

Within a 30-day period Jungle Gym will replace defective merchandise free of charge, provided that the defective part be returned for inspection, freight collect. Jungle Gym will return the part freight prepaid. After the 30-day period, return the defective part freight prepaid and Jungle Gym will ship it back to you freight collect. The place of purchase must be contacted for authorization to return the defective part. No merchandise will be accepted without prior written approval from Jungle Gym. All returns must be accompanied by a dated proof of purchase. In cases when a defective part is returned to Jungle Gym, please ensure that the part is protected against transport damage.

■ Customer responsibilities

- It is the customer's responsibility to perform regular inspections and maintenance to ensure that the product is not prematurely ageing. These inspections and maintenance are mentioned in this manual.
- The customer has to take all precautions to safeguard the safety of the children.

Jungle Gym disclaims all other representations and warranties of any kind, expressed or implied, in fact or in law, including, without limitation, the implied warranty of merchantability and the implied warranty of fitness for a particular purpose.

The statement above does not affect a consumer's statutory rights. Because some jurisdictions in some countries do not permit the exclusion or limitations set forth above, they may not apply in all cases. Jungle Gym® reserves the right to make changes in materials and design without prior notice.

040_805_LMW_en_0100_20071018_nIA

FABRIEKSGARANTIE

Jungle Gym® garandeert de door haar geleverde componenten voor fabrieksfouten gedurende een periode van 2 jaar na aankoopdatum. Dit geldt alleen voor de eerste eigenaar, onder de volgende voorwaarden:

- De defecten worden veroorzaakt door materiaal- of fabrieksfouten.
- De aanwijzingen in deel 1, 2 en 3 van de handleiding zijn nauwgezet opgevolgd.
- De componenten zijn slechts gebruikt voor het bouwen van een speeltoestel voor particulier gebruik.

■ Deze garantiebepaling sluit aanspraak in de volgende gevallen uit:

- Loonkosten ontstaan door vervanging van een defect onderdeel.
- Gevolgschade door gebruikmaking van het toestel.
- Schade als gevolg van vandalisme, oneigenlijk gebruik, verkeerde montage of installatie, slijtage door nalatig onderhoud of slijtage dat als normaal kan worden beschouwd, extreme weersomstandigheden en andere abnormale omstandigheden.
- Verkeuren of afwijkingen van ondergeschikte aard die technisch niet te voorkomen zijn en volgens het handelsgebruik algemeen worden aanvaard.
- Indien er veranderingen gedaan zijn aan onderdelen of accessoires.

■ Aanspraak maken op garantie:

Binnen de periode van 30 dagen zal Jungle Gym het defecte onderdeel kosteloos vervangen, mits het kapotte onderdeel terug wordt gezonden voor inspectie. Na de periode van 30 dagen is de klant verantwoordelijk voor evt. portokosten.

Neem vóór het terugsturen van een onderdeel altijd contact op met het verkooppunt voor toestemming. Zonder schriftelijke toestemming met autorisatienummer van Jungle Gym aan het verkooppunt wordt het teruggestuurde onderdeel niet geaccepteerd. Zonder aankoopbewijs wordt het teruggestuurde onderdeel niet geaccepteerd. Als u het te vervangen artikel verzendt, moet het van een verpakking zijn voorzien waarbij transportschade niet mogelijk is.

■ Verantwoordelijkheden van de eigenaar

- De eigenaar van het toestel dient zelf periodieke controles uit te voeren en onderhoud te plegen om voortijdige slijtage te voorkomen. De inspectie en onderhoud van het toestel wordt beschreven in deze handleiding.
- De eigenaar moet alle mogelijke voorzorgsmaatregelen nemen om de veiligheid van de kinderen te waarborgen.

Deze garantiebepalingen doen geen afbreuk aan de wettelijke rechten van de klant volgens de geldende nationale wetgeving.

Jungle Gym® behoudt zich het recht voor om wijzigingen in ontwerp, handleiding of uitvoering aan te brengen zonder dit vooraf kenbaar te maken.

040_805_LMW_nl_0100_20071018_nIA

INGESCHRÄNKTE GARANTIE DES HERSTELLERS

Bei sachgemäßer Behandlung hat der Käufer auf dieses Produkt von Jungle Gym® eine Garantie von 2 Jahre ab dem Zeitpunkt des Kaufes. Die Voraussetzungen für die Garantie sind:

- Dass die Defekte auf Materialfehler oder Herstellungsfehler zurückgehen
- Dass alle in Teil 1, 2 und Teil 3 der Anleitung aufgeführten Vorschriften beachtet und befolgt wurden.
- Dass die Produkte für den Bau von Spiel-Sets verwendet wurden, die von einem einzigen Ein-Familien-Haushalt genutzt werden

■ Diese eingeschränkte Garantie beinhaltet nicht:

- die Arbeitszeit für das Ersetzen von defekten Teilen
- den Schadensersatz bei Schäden, die durch Defekte her vorgefallen wurden
- den Ersatz von Teilen, die durch Vandalismus, Missachtung, unsachgemäße Behandlung, unkorrekten Aufbau, normale Abnutzung oder Abnutzung durch nachlässige Pflege, extreme Wetterbedingungen oder sonstige abnormale Bedingungen beschädigt worden sind.
- Verfärbungen oder sonstige unwesentliche Abweichungen die technisch nicht zu verhindern sind und im allgemeinen Handelsgebrauch anfallen können.
- den Ersatz von defekten Teilen, wenn Elemente oder Zubehör verändert wurden.

■ Vorgehensweise bei Anspruch auf Garantie

Innerhalb einer Frist von 30 Tagen ersetzt Jungle Gym® kostenlos defekte Ware. Voraussetzung ist das Einschicken der defekten Ware. Die Gebühr zahlt der Empfänger Jungle Gym®. Jungle Gym® übernimmt ebenfalls die Frachtkosten für das Zusenden der Ersatzware. Nach der 30-Tage-Frist übernehmen Sie als Kunde die gesamten Frachtkosten. Senden Sie die defekte Ware an Jungle Gym®. Jungle Gym® sendet Ihnen die Ersatzware zu, die Frachtkosten gehen zu Lasten des Kunden. Die Verkaufsstelle muss vor dem Einsenden der defekten Ware kontaktiert werden und ihr Einverständnis für das Einsenden des defekten Teiles geben. Ohne die schriftliche Zustimmung und die Zuteilung einer Berechtigungsnummer von Jungle Gym® an die Verkaufsstelle wird keine Ware von Jungle Gym® angenommen. Alle Reklamationen müssen von einer datierten Quittung begleitet werden. Wenn Sie den reklamierten Artikel versenden, muß die Verpackung so gewahrt werden, dass Transportschäden Ausgeschlossen sind.

■ Kundenverantwortung

- Es obliegt der Verantwortung des Benutzers, die Geräte zu pflegen und regelmäßige Inspektionen durchzuführen, um zu gewährleisten, dass das Produkt nicht frühzeitig altert. Die Richtlinien für die Pflege und die Inspektionen werden in dieser Anleitung erläutert.
- Der Benutzer ist dazu angehalten, alle Vorkehrungen zu treffen, um die Sicherheit der Kinder zu gewährleisten.

Diese Aussage beeinträchtigt nicht die statutarischen Rechte des Kunden. In Ländern, in denen die Rechtsprechung Ausnahmen und Begrenzungen, wie sie oben erwähnt werden, nicht zulässt, sind diese wirkungslos. Jungle Gym® behält sich vor, ohne vorherige Ankündigung Änderungen hinsichtlich des Materials und des Designs vorzunehmen.

040_805_LMW_de_0100_20071018_nIA

ОГРАНИЧЕНА ГАРАНЦИЯ НА ПРОИЗВОДИТЕЛИТЕ

Jungle Gym® дава гаранция за продукта на първоначалния купувач за срок от 2 години, считано от датата на закупуването, при следните условия:

- дефекти на изделето, предизвикани от некачествени материали или производствени дефекти.
- при стриктно спазване на указанията, намиращи се в част 1,2 и 3 на това ръководство.
- продуктите се използват само за изграждане на игрово съоръжение за еднофамилна къща.

■ Тази ограничена гаранция не покрива:

- труд или стойността на труда за замяна на дефектните възли.
- никакви странични или косвени загуби.
- увреждания на възлите, настъпили в резултат на вандализъм, неадекватна, неправилна употреба, неправилно съглобяване, нормално износване, екстремални атмосферни условия и ненормални условия.
- никакви допълнителни подобрения на компоненти и уреди

■ Прилагане на гаранцията

В рамките на 30 дни дефектната стока се заменя от Jungle Gym® безплатно при условие, че купувачът върне дефектната част за проверка, като стойността на превоза му се осребрява. Jungle Gym® връща предварително заплатената стойността за превоз. След 30 дни купувачът връща дефектната част, като заплати превоза, и Jungle Gym® я изпраща обратно като осребрява на купувача транспортните разходи. При връщане на дефектната част е необходимо купувача да се свърже с търговската точка за получаване на разрешение. Никаква стока не се приема преди Jungle Gym да издаде писмено съгласие със съответния номер на търговския пункт, където е направена първоначалната покупка. При връщането частта трябва да бъде съпроводена от документ, удостоверяващ датата на покупка.

■ Задължения на потребителя

- Потребителят е задължен редовно да извършва проверки и поддръжка на изделето, за да осигури нормален срок на експлоатация на изделето. Начин за проверките и поддръжката са посочени в настоящото ръководство.
- Потребителят трябва да вземе всички предпазни мерки за осигуряване на безопасността на децата.

Горното положение не оказва влияние върху законните права на потребителя. Горуказаните изключения или ограничения не могат да се прилагат във всички случаи по причина, че те са в разрез с законодателствата на някои държави.

Jungle Gym® си запазва правото да променя материалите и конструкцията без предварително уведомяване.

040_805_LMW_bg_0100_20071018_nIA

GARANTIE DE FABRICATION

Jungle Gym® vous assure une garantie de 2 années après l'achat sur les défauts dû à une erreur de fabrication. Celle-ci est valable pour le premier propriétaire, sous les conditions suivantes:

- Les défauts sont à l'origine d'un erreur de fabrication.
- Les indications dans le manuel doivent être scrupuleusement suivies.
- Les pièces détachées doivent être utilisés uniquement pour le montage d'un jeu d'enfants à l'usage privé.

■ La garantie ne couvre pas:

- Les charges salariales pour le remplacement d'une pièce cassée.
- Des dégâts de suite de l'usage du portique.
- Des dégâts suite à des actes de vandalisme, négligence, usage non précédemment décrit, montage ou installation ne suivant pas les recommandations prescrites, usage suite à une négligence dans l'entretien, ou une usure qui peut être considérée comme normale, intempéries extrêmes et autres circonstances anormales.
- Décolorations ou anomalies de type secondaires qui ne peuvent être prévus techniquement et qui commercialement sont acceptées en général
- Tout changement de pièces ou d'accessoires.

■ Demande de SAV

Jungle Gym remplacera la pièce cassée sans frais dans les 30 jours suivant l'achat, à condition que la pièce cassée soit renvoyée (contre remboursement) pour inspection. Après la période de 30 jours, le client est responsable pour les frais de port éventuels. Avant de renvoyer la pièce, prenez toujours contact avec votre point de vente pour obtenir leur accord avant expédition. Sans leur accord écrit avec un numéro d'autorisation de Jungle Gym donné au point de vente, la pièce renvoyée ne sera pas acceptée. Lorsque vous renvoyez l'article, il doit être emballé de manière à ce que aucun dégât ne soit possible durant le transport.

■ Responsabilités du propriétaire

- C'est à la responsabilité du propriétaire du jeu d'enfants de contrôler régulièrement et d'entretenir le portique afin d'éviter une usure précoce. Ces inspections et entretien sont décrits précédemment dans ce manuel.
- Le propriétaire doit prendre chaque précaution afin d'assurer la sécurité des enfants.

La description ci-dessus n'affecte en rien les droits principaux du consommateur. En effet selon les pays, la législation ne permet pas d'imposer certaines restrictions, dans ce cas présent elles ne seront pas applicables.

Les produits de Jungle Gym seront fournis sous réserve des changements techniques et des changements de modèles.

040_805_LMW_fr_0100_20071018_nIA

GARANTÍA LIMITADA DE LOS FABRICANTES

Conforme a uso normal este producto está garantizado por Jungle Gym® al comprador original por un periodo de 2 años a partir de la fecha de la compra, en las condiciones siguientes:

- Que esos defectos sean atribuibles a grietas o a defectos en el materiales o al defecto de producción.
- Que las direcciones de la parte 1, 2 y 3 de nuestro manual de instrucción se hayan observado y seguido a fondo.
- Que los productos se hayan utilizado solamente para los que la construcción del juego fija para los propósitos residenciales unifamiliares.

■ Esta garantía limitada no cubre:

- La mano de obra o el costo de la mano de obra en caso de sustitución piezas con defectos.
- Cualquier daño fortuito o consiguiente.
- Los artículos dañados debido al vandalismo, a la negligencia, al uso incorrecto, a la instalación incorrecta, al despilfarro normal, a las condiciones atmosféricas extremas o a otras condiciones anormales.
- Cualquier modificación agregada a los componentes y a los accesorios.

■ Procedimiento de la garantía

Dentro del periodo de 30 días Jungle Gym® sustituirá la mercancía defectuosa gratuitamente, a condición de que la pieza defectuosa sea devuelta para la inspección, enviado por flete a cobrar. Jungle Gym® volverá la pieza con flete pagado por adelantado. Después del periodo de 30 días, devuelve la pieza defectuosa por flete pagado en adelantado y Jungle Gym® la enviará de nuevo a usted con flete a cobrar. En el lugar de la compra se debe entrar en contacto para pedir la autorización para que vuelvan la pieza defectuosa.

No se aceptará ninguna mercancía sin la aprobación escrita anterior de la tienda de compra original, cual contendrá un número de la autorización. Todas las devoluciones se deben acompañar por una prueba de la fecha de la compra.

■ Responsabilidades del cliente

- Es la responsabilidad del cliente realizar inspecciones y mantenimiento regulares para asegurarse de que el producto no está envejeciendo prematuramente. Estas inspecciones y el mantenimiento se mencionan en este manual.
- El cliente debe tener toda la precaución de garantizar la seguridad de los niños. La declaración arriba no afecta los derechos estatutarios de un consumidor.

Debido a algunas jurisdicciones en algunos países no permiten la exclusión o las limitaciones dispuestas arriba, no pueden aplicarse en todos los casos.

Jungle Gym® se reserva el derecho de realizar cambios en materiales y de diseños sin previo aviso.

040_805_LMW_es_0100_20071018_nIA

ZARUCNI PODNIMKY

Pri normalním používání má kupující na produkt Jungle Gym® záruku 2 roky od data prodeje. Předpokládá pro uplatnění záruky jsou:

- ze díly s materiálovou nebo výrobní vadou budou předloženy
- ze byly splněny všechny pokyny dílu 1, 2 a 3 návodu
- ze výrobek byl používán pouze v jedné domácnosti

■ Tato záruka se nevztahuje na:

- na práci s výměnou vadného dílu
- na náhradu škody, která vznikla defektem
- na díly poškozené vandalizmem, nesprávným užíváním, nesprávnou instalací, normálním opotřebením, extrémními klimatickými podmínkami a jinými abnormálními podmínkami.
- na výměnu dílu, jestliže bylo změněno prisluslenství

■ Postup při uplatnění reklamace

- ve lhůtě do 30 dnů výměni Jungle Gym® bezplatně defektní díly. Předpokladem je zaslat defektní díly. Poplatky platí příjemce. Jungle Gym® přebírá náklady na přepravu pro zaslání náhradního zboží.

Po 30 dnech lhůte převezmete jako zákazník náklady na dopravu. Posle defektní zboží Jungle Gym® u. Junglr Gym vám posle náhradní díl, náklady na dopravu jdou na vrub zákazníka. Prodejní místo musí být odeslátelem defektního zboží kontaktováno a musí být dan souhlas k odeslání defektního dílu. Bez písemného souhlasu prodejního místa a jim přiděleného císla nebude zadný díl Jungle Gym® em přijat. Všechny reklamace musí doprovázen datovaný ucet.

■ Odpovědnost zákazníka

- Je zákazníkova zodpovědnost provadet udržbu a pravidelne prohlidky, aby se ujistil, ze výrobek predcasne nestarne. Pokyny pro udržbu a kontroly jsou uvedeny v tomto návodu.
- Uživateli je povinnen provadet vsechna opatreni, aby bylo dosazeno bezpecnosti deti.

Tento návod nezkracuje statutární práva zákazníka. V zemích, ve kterých má právní vyklad výjimky a omezení, jak jsou vyše popsány, tyto nepřipouští a jsou neucinne.

Jungle Gym® si vyhrazuje právo zavadet materialove a designove zmeny.

040_805_LMW_cs_0100_20071018_nia

ΠΕΡΙΟΡΙΣΜΕΝΗ ΕΓΓΥΗΣΗ ΤΗΣ ΚΑΤΑΣΚΕΥΑΣΤΡΙΑΣ ΕΤΑΙΡΙΑΣ

Το παρόν προϊόν καλύπτεται από την εγγύηση της κατασκευάστριας εταιρίας Jungle Gym®, εφόσον γίνεται κανονική χρήση αυτού, για μια περίοδο 2 χρόνια από την ημερομηνία αγοράς υπό τις ακόλουθες προϋποθέσεις:

- Η οποιαδήποτε βλάβη οφείλεται σε ελάττωμα των υλικών ή κακή κατασκευή.
- Οι οδηγίες των μερών 1, 2 και 3 αυτού του εγχειριδίου έχουν ακολουθηθεί πιστά.
- Ότι τα προϊόντα έχουν χρησιμοποιηθεί μόνο για την κατασκευή της παιδικής χαράς στο χώρο του σπιτιού.
- **Η παρούσα περιορισμένη εγγύηση δεν καλύπτει:**
 - Τις εργασίες ή τα εργατικά σε περίπτωση αντικατάστασης του ελαττωματικού εξαρτήματος.
 - Οποιαδήποτε τυχαία ζημιά.
 - Καταστροφές σε εξαρτήματα εξαιτίας βανδαλισμού, αμέλειας, ακατάλληλης χρήσης, κακής εγκατάστασης, φυσικής φθοράς, ακραία καιρικά φαινόμενα ή άλλες μη φυσιολογικές συνθήκες.
 - Οποιοδήποτε μετατροπές στα εξαρτήματα ή τα αξεσουάρ.
- **Διαδικασία εκμετάλλευσης της εγγύησης**

Μέσα σε 30 ημέρες, η εταιρία Jungle Gym® θα αντικαταστήσει το ελαττωματικό προϊόν χωρίς χρέωση, με την προϋπόθεση ότι το ελαττωματικό μέρος θα επιστραφεί για έλεγχο με τα έξοδα αποστολής πληρωτέα από τον παραλήπτη. Η εταιρία Jungle Gym θα επιστρέψει το επιδιορθωμένο μέρος με δική της χρέωση. Μετά από την έλευση 30 ημερών, η αποστολή του ελαττωματικού μέρους θα γίνεται με χρέωση του αποστολέα, τον οποίο βαρύνουν και τα έξοδα επιστροφής. Θα πρέπει επίσης να γίνει επαφή με το κατάστημα που έγινε η αγορά ώστε να δοθεί εξουσιοδότηση επιστροφής του ελαττωματικού μέρους. Κανένα προϊόν δεν θα γίνεται δεκτό χωρίς να δοθεί προηγούμενη έγκριση από την εταιρία Jungle Gym® στο κατάστημα που πραγματοποιήθηκε η αγορά του προϊόντος, το οποίο και φέρει αριθμό εξουσιοδότησης. Όλες οι επιστροφές θα πρέπει να συνοδεύονται από απόδειξη ημερομηνίας αγοράς.

■ Διαδικασία εκμετάλλευσης της εγγύησης

- Είναι υποχρέωση του πελάτη να ελέγχει και να συντηρεί τακτικά το προϊόν προκειμένου να διασφαλίσει την αποφυγή πρώιμης φθοράς. Ο ενδεδειγμένος τρόπος ελέγχου και συντήρησης περιγράφεται σε αυτό το εγχειρίδιο.
- Ο πελάτης οφείλει να λάβει όλες τις απαραίτητες προφυλάξεις που αφορούν στην ασφάλεια των παιδιών.

■ Υποχρέωση του πελάτη

- Είναι υποχρέωση του πελάτη να ελέγχει και να συντηρεί τακτικά το προϊόν προκειμένου να διασφαλίσει την αποφυγή πρώιμης φθοράς. Ο ενδεδειγμένος τρόπος ελέγχου και συντήρησης περιγράφεται σε αυτό το εγχειρίδιο.
- Ο πελάτης οφείλει να λάβει όλες τις απαραίτητες προφυλάξεις που αφορούν στην ασφάλεια των παιδιών.

Η παραπάνω δήλωση δεν καθιστά τα νόμιμα δικαιώματα του πελάτη επισφαλής. Επειδή οι νόμοι κάποιων χωρών δεν επιτρέπουν τις απαγορεύσεις ή τους περιορισμούς που περιγράφονται εδώ, υπάρχει περίπτωση αυτοί να μην ισχύουν σε όλες τις περιπτώσεις.

Η εταιρία Jungle Gym® διατηρεί το δικαίωμα να προβεί σε αλλαγές στα υλικά ή στον σχεδιασμό του προϊόντος χωρίς προηγούμενη ειδοποίηση.

040_805_LMW_el_0100_20101018_nia

PRODUCENTENS BEGRÆNSEDE GARANTI

Under forudsætning af, at legepladsen er anvendt på normal vis, yder Jungle Gym® den oprindelige køber 2 år garanti fra købstidspunktet på delene i Jungle Gym® samlesættest og ud fra følgende betingelser:

- Defekterne skyldes fejl eller mangler i materialer eller udførelse.
- Anvisningerne i både del 1, 2 og 3 af denne byggevejledning er fulgt nøje.
- Produkterne er udelukkende anvendt til konstruktion af legepladser til privat brug.

■ Den begrænsede garanti dækker ikke:

- Arbejde eller arbejdsomkostninger i forbindelse med udskriftningen af den defekte del.
- Tilfældige skader eller følgeskader.
- Dele, der er blevet beskadiget som følge af hærværk, manglende pleje, forkert brug, forkert montering, normalt slid, ekstreme vejrforhold eller andre usædvanlige omstændigheder.
- Ændringer udført på dele og tilbehør.

■ Garantiprocedure

Jungle Gym® påtager sig inden for en periode på 30 dage at erstatte defekte varer uden beregning, forudsat at kunden returnerer den defekte del for nærmere undersøgelser (fragten betales af Jungle Gym®). Jungle Gym® godtgør eventuelt forudlagte fragtomkostninger. Hvis der er gået mere end 30 dage, skal kunden returnere den defekte del for egen regning, hvorefter Jungle Gym® returnerer den, ligeledes for kundens regning. Det påhviler kunden at kontakte den forretning, hvor legepladsen er blevet købt, for at få tilladelse til at returnere den defekte del. Jungle Gym® accepterer ingen returvarer, medmindre Jungle Gym® først har givet den forretning, hvor legepladsen er blevet købt, tilladelse hertil. Denne tilladelse skal indeholde et autorisationsnummer. Alle returvarer skal ledsages af et dateret kobsbevis.

■ Kundeansvar:

- Det er kundens ansvar at efterse og vedligeholde legepladsen regelmæssigt, så den ikke ældes for tidligt. Eftersyn og vedligeholdelse beskrives nærmere i denne manual.
- Kunden skal tage alle forholdsregler for at sikre børnenes sikkerhed.

Ovennævnte erklæring påvirker ikke kundens lovmæssige rettigheder. Eftersom enkelte retskredse i visse lande ikke accepterer ovennævnte ansvarsfraskrivelse eller begrænsninger, gælder de muligvis ikke i alle situationer.

Jungle Gym® forbeholder sig ret til at ændre materiale og design uden forudgående varsel.

040_805_LMW_da_0100_20071018_nia

TAKMÖRKUÐ ÁBYRGÐ FRAMLEIÐANDA

Jungle Gym® ábyrgist þessa vöru gagnvart kaupanda í 2 ár frá söluþegi sé leiktækid notað á eðlilegan hátt miðað við eftirtalin skilyrði:

- Að um sé að ræða galla í efni eða framleiðslugalla
- Að leiðbeiningum í hluta 1, 2 og 3 hafi verið fylgt til hins ítrasta.
- Að leiktækid hafi einungis verið notað í afgirtum einkalöðum eða á lökudum svæðum.

■ Þessi takmarkaða ábyrgð gildir ekki um eftirfarandi:

- Vinnu við að skipta um gallaða íhluti.
- Afleitt tjón af völdum gallaðra íhluta.
- Skemmdra íhluta vegna óvandaðra vinnubrögða, vanrækslu, rangrar notkunar, rangrar samsetningar, eðlilegs slits, slæms veðurs eða annara óeðlilegra aðstæðna.
- Breytingar á íhlutum eða fylgihlutum.

■ Framkvæmd ábyrgðar

Innan 30 daga leggur Jungle Gym® til nýja íhluti í stað þess gallaða án endurgjalds, gegn því að gölluðum hlutum sé skilað til skoðunar, fragt greiðist af framleiðanda. Jungle Gym® greiðir flutningsgjald fyrir nýja íhluti. Viðskiptavinur snúi sér til söluáðila leiktækisins sem ákveður hvort gallaðir hlutir eru sendir til framleiðanda. Áður en gölluð vara er send til framleiðanda þarf að leggja fyrir skriflegt samþykki Jungle Gym® sem sendir móttökunúmer fyrir sendingunni. Kaupandi vörunnar framvisi sölukvittun.

■ Ábyrgð kaupanda

- Það er á ábyrgð kaupanda að framfylgja regulegu eftirliti og viðhaldi á leiktækinu til að tryggja eðlilega endingu þess. Þetta kemur fram í leiðbeiningunum.
- Kaupandi ber ábyrgð á öryggi barnanna sem nota leiktækid.

Lög og reglur í viðkomandi landi eru æðri ofangreindu.

Jungle Gym® áskilur rétt til breytinga á efni og hönnun leiktækjanna án fyrirvara.

040_805_LMW_is_0100_20101018_nia

TOOTJAPOLNE PIIRATUD GARANTII

Jungle Gym® annab esmaostjale käesoleva toote ettenähtud viisi kasutamise korral 2 aastat pikkuse garantii toote remontimiseks järgmistel tingimustel:

- avastatud vead on põhjustatud materjalidefektidest või ebaõigest valmistamisest;
- järgitud on kasutusjuhendi 1. 2. ja 3. osas toodud juhiseid;
- toodet on kasutatud mängukompleksi ehitamiseks üheperearamu tarbeks.

■ Piiratud garantii ei kompenseeri järgmisi kulusid:

- tööjõukulu defektse toote väljavahetamiseks;
- üksikuid milliseid juhuslikke või kaudseid kahjusid;
- kahjusid, mis tekkisid vandalismi, hooletuse, ebaõige kasutamise, ebaõige paigaldamise, tavalise kulumise, ilmastikumõjude või muude mittetavapärase tingimuste tõttu;
- toote modifitseerimise tehtud kulutusi.

■ Garantiprotseduur

Jungle Gym® vahetab defektse toote tasuta välja 30 päeva jooksul, kui toode tagastatakse kontrollimiseks koos makstud saatekuludega. Jungle Gym® tagastab toote koos saatekulude tasumisega. Pärast 30 päeva möödumist tagastage defektne toode koos saatekuludega ning Jungle Gym® saadab selle tagasi tasuta saatekuludega. Defektse toote tagastamisel tuleb ostukohast eelnevalt saada tagasisaamist lubav kinnitus. Ühtegi toodet ei võeta vastu ilma Jungle Gym® i kirjaliku autoriseerimisnumbril sisaldava kinnitusega, mis saadetakse ostukohta. Kõigi tagastatud toodetega tuleb kaasa anda ostukuupäevaga ostutšekk.

■ Kasutaja vastutus

- Kasutaja vastutab toote korrapärase kontrollimise ja hoolduse eest, mille eesmärgiks on ära hoida toote enneaegne vananemine. Nimetatud kontrolli ja hooldust on kirjeldatud käesolevas kasutusjuhendis.
- Kasutaja peab rakendama kõiki ettevaatusabinõusid laste ohutuse tagamiseks.

Ülaloodu ei piira mingil viisil kasutaja seaduslikke õigusi. Kuna mõnes riigis pole ülaltoodud erandid või piirangud lubatud, siis ei pruugi need alati rakenduda.

Jungle Gym® jätab endale õiguse teha muudatusi materjalides ja konstruktsioonis eelneva hoiatusega.

040_805_LMW_et_0100_20071018_nia

GARANZIA DEL COSTRUTTORE

Jungle Gym® garantisce i componenti forniti da eventuali difetti di fabbricazione per la durata di 2 anni dalla data d'acquisto. Ciò vale esclusivamente per il primo proprietario e a condizione che:

- i difetti siano dovuti a difetti dei materiali o a difetti di fabbricazione.
- E' importante che le istruzioni riportate nel presente manuale sia nella parte 1, 2 che nella 3 siano state seguite scrupolosamente.
- i componenti siano stati utilizzati esclusivamente per la costruzione di attrezzatura da gioco ad uso privato.

■ La presente garanzia esclude qualsiasi rivendicazione nei casi di:

- costi di manodopera derivanti dalla sostituzione di un elemento difettoso;
- danni indiretti derivanti dall'utilizzo dell'attrezzo;
- danni causati da atti vandalici, uso improprio, installazione o montaggio erroneo, normaleusura, condizioni climatiche estreme ed altre circostanze anomale; qualora si fossero apportate delle modifiche ad elementi o accessori;

■ Come ricorrere alla garanzia

In un periodo di 30 gg Jungle Gym® sostituirà il pezzo difettato gratuitamente a condizione che il pezzo venga ritornato alla casa madre per un'ispezione, trasporto a carico del destinatario. Jungle Gym® restituirà il prezzo prepagato dal trasporto. Dopo 30 giorni dal ritorno del pezzo difettoso con consegna prepagata, spedisce indietro il pezzo. Il punto vendita deve essere contattato per autorizzare il ritiro del componente difettoso. Nessun pezzo verrà ritirato senza autorizzazione scritta della Jungle Gym® al punto vendita originario dell'acquisto, il quale conterrà un numero di autorizzazione. Tutti i ritorni devono essere accompagnati da un documento datato comprovante l'acquisto.

■ Responsabilità del proprietario

- Il proprietario dell'attrezzo è tenuto ad effettuare i controlli periodici e la manutenzione al fine di evitare un'usura prematura. Le operazioni di controllo e di manutenzione sono descritte nella del presente manuale.
- Il proprietario deve adottare tutte le misure preventive al fine di garantire la sicurezza dei bambini.

Quanto sopra dichiarato non riguarda i diritti statutari del consumatore. In quanto alcune giurisdizioni di alcuni paesi non permettono l'esclusione o la limitazione di quanto dichiarato sopra, di conseguenza non di puo' applicare in tutti i casi

Jungle Gym® si riserva il diritto di apportare modifiche al progetto, al manuale o al modello senza darne comunicazione preventiva.

040_805_LMW_it_0100_20101018_nia

GARANTIA LIMITADA DO FABRICANTE

O produto é garantido pela Jungle Gym®, desde que utilizado em condições normais, num período de 2 anos desde a data da compra, nas seguintes circunstâncias:

- Os defeitos apresentados no artigo fornecido sejam provenientes do material ou do fabrico
- As instruções de montagem sejam rigorosamente cumpridas
- O kit destina-se única e exclusivamente à utilização familiar

■ A garantia do fornecedor não cobre

- O trabalho ou o custo do trabalho para a reposição do artigo defeituoso
- Alguns danos acidentais ou consequentes
- Danos causados ao equipamento por actos de vandalismo, negligência, utilização inadequada, instalação imprópria, condições atmosféricas extremas ou outras condições consideradas anormais, e modificações adicionadas aos componentes e aos acessórios do artigo fornecido

■ Procedimento da garantia

Num período de 30 dias a Jungle Gym® substituirá a mercadoria defeituosa livre de custos desde que o material defeituoso seja devolvido para verificação. O custo da devolução do artigo será restituído ao cliente no caso de se verificar o defeito. O cliente deve efectuar uma reclamação antes de devolver a mercadoria. Nenhuma devolução será aceite sem autorização prévia. Todas as devoluções devem ser acompanhadas pela prova de compra.

■ Responsabilidades do cliente

- É da responsabilidade do cliente executar inspecções e a manutenção regulares para se assegurar que o produto não esteja a envelhecer prematuramente. Estas inspecções e a manutenção são mencionadas neste manual.
- O cliente deverá inspecionar todos os componentes do parque que uma vez danificados, possam por em causa a segurança das crianças.

As indicações acima mencionadas não interferem nos direitos do consumidor. Porque em algumas jurisdições de alguns países não permitem a exclusão ou as limitações acima mencionadas, estas não se podem aplicar em todos os casos.

A Jungle Gym® reserva o direito de efectuar alterações e projectá-las sem aviso prévio.

040_805_LMW_pt_0100_20101018_n1A

GARANȚIE LIMITATĂ A PRODUCĂTORILOR

Supus unei utilizări normale, acest produs este garantat de Jungle Gym® cumpărătorului inițial pentru o perioadă de 2 ani de la data cumpărării, cu următoarele condiții:

- Ca defecțiunile respective să fie datorate unor crăpături sau defecte ale materialelor sau unor defecte de fabricație.
- Ca indicațiile pentru piesele 1, 2 și 3 din manualul cu instrucțiuni să fi fost respectate și urmate cu strictețe.
- Ca produsele să fi fost utilizate numai la asamblarea seturilor de joacă exclusiv pentru utilizarea domestică a acestora de către o singură familie.

■ Această garanție limitată nu acoperă:

- Manopera sau costul manoperei pentru înlocuirea articolului defect.
- Orice pagube materiale sau indirecte.
- Articole deteriorate din cauza vandalismlui, neglijenței, utilizării necorespunzătoare, instalării necorespunzătoare, uzurii normale, condițiilor climatice extreme sau a altor condiții anormale.
- Orice modificări efectuate în plus la componente și accesorii.

■ Procedura de garanție

În termen de 30 de zile, compania Jungle Gym® va înlocui gratuit produsele defecte, cu condiția ca piesele defecte să fie returnate pentru control, cu plata costurilor de transport. Jungle Gym® va returna piesa cu costul transportului preplătit. După o perioadă de 30 de zile, returnați piesa defectă cu costul transportului preplătit, iar Jungle Gym® vă va trimite înapoi piesa respectivă, cu plata costurilor de transport. Trebuie contactat magazinul de unde a fost cumpărat produsul pentru a obține autorizarea de returnare a piesei defecte. Nici un produs nu va fi acceptat fără aprobarea scrisă prealabilă a companiei Jungle Gym® acordată magazinului de unde a fost cumpărat inițial produsul, care va include un număr de autorizare. Toate produsele returnate trebuie însoțite de dovada datată a cumpărării acestora.

■ Responsabilitățile clientului

- Clientul este responsabil pentru efectuarea unor inspecții și operațiuni de întreținere periodice pentru a se asigura că produsul nu se uzează prematur. Aceste inspecții și operațiuni de întreținere sunt menționate în prezentul manual.
- Clientul trebuie să ia toate măsurile de precauție necesare pentru a garanta siguranța copiilor.

Declarația de mai sus nu afectează drepturile legale ale unui client. Datorită faptului că anumite jurisdicții din unele țări nu permit excluderea sau limitările stabilite mai sus, este posibil ca acestea să nu se aplice în toate cazurile.

Jungle Gym® își rezervă dreptul de a aduce modificări materialelor și designului fără o notificare prealabilă.

040_805_LMW_ro_0100_20101018_n1A

OBMEDZENÁ ZÁRUKA POSKYTOVANÁ VÝROBCOM

Za predpokladu normálneho použitia Jungle Gym® dáva záruku na tento výrobok prvému kupujúcemu na dobu 2 roky od dátumu predaja za nasledovných podmienok:

- Závady sú dôsledkom chýb materiálov, alebo výroby.
- Pokyny z časti 1, 2 a z časti 3 našej príručky boli kompletne dodržiavané a zachovávané.
- Výrobky boli používané pre stavbu ihriskovej konštrukcie pre prievné použitie v jednej rodine.

■ Táto obmedzená záruka sa nevzťahuje na:

- Prácu alebo náklady a za prácu, potrebnú na výmenu vadnej časti.
- Žiadne vedľajšie a následné škody.
- Položky poškodené vandalizmom, nedbalosťou, nesprávnym používaním, nesprávnou montážou, normálnym opotrebením, extrémnymi poveternostnými podmienkami, alebo inými abnormálnymi podmienkami.
- Akékoľvek dodatočné úpravy komponentov a príslušenstva.

■ Postup pri reklamácii

Do 30 dní Jungle Gym® vymení vadný tovar bezplatne za predpokladu, že vadná časť bude vrátená pre účel kontroly zaslaním na dobierku. Jungle Gym® súčiastku vráti s uhradením prepravných nákladov. Po uplynutí 30-dňovej doby vráťte vadnú časť a zašlite ju s úhradou prepravných nákladov; Jungle Gym® Vám ju zašle naspäť formou dobierky. Je potrebné spojiť sa s predajňou, kde bolo zariadenie zakúpené a získať súhlas k vráteniu vadnej časti. Žiadny tovar nebude prijatý bez predchádzajúceho písomného súhlasu od Jungle Gym® pre predajňu, ktorá výrobok predala prvému zákazníkovi. Tento súhlas bude obsahovať autorizačné číslo. Každé vrátenie vadných dielov musí byť doložené dokladom o zakúpení s dátumom zakúpenia.

■ Zodpovednosť zákazníka

- Zákazník je zodpovedný za vykonávanie pravidelných kontrol a údržby tak, aby nedošlo k predčasnému zastaraniu (znehodnoteniu) výrobku. Kontroly a údržba sú popísané v tejto príručke.
- Zákazník musí vykonať všetky opatrenia aby zaisťil bezpečnosť detí.

Hore uvedené prehlásenie neovplyvňuje zákonom stanovené práva zákazníka. Pretože niektoré zákonodarstvo v určitých krajinách nepovoľuje hore uvedené výnimky alebo obmedzenia, nie je možná ich aplikácia vo všetkých prípadoch.

Jungle Gym® si vyhradzuje právo na zmeny materiálov a konštrukcie bez predchádzajúceho upozornenia.

040_805_LMW_sk_0100_20101018_n1A

ОГРАНИЧЕННАЯ ГАРАНТИЯ ПРОИЗВОДИТЕЛЯ

При условии целевого использования Jungle Gym® предоставляет первоначальному покупателю данного изделия гарантию сроком на 2 года от даты покупки на следующих условиях:

- При условии, что такие дефекты связаны с дефектами или недостатками материалов или дефектами производства.
- При условии точного соблюдения и следования требованиям всех частей 1, 2 и 3 данной инструкции.
- При условии, что изделие использовалось только для строительства игрового комплекса для частного использования одной семьей.

■ Данная ограниченная гарантия не покрывает:

- Работу или стоимость работы по замене дефектного элемента.
- Стоимость доставки заменяемой детали по истечении изначального 30-дневного срока.
- Никакие побочные или косвенные убытки.
- Детали, поврежденные вследствие вандализма, небрежности, нецелевого использования, неправильной установки, естественного износа, экстремальных погодных условий или иных ненормальных условий.
- Косметические дефекты, не влияющие на структурную целостность изделия.
- Случаи выцветания краски или незначительных отклонений, которые не могли быть технически предусмотрены или предотвращены, и являются в целом приемлемыми в данной отрасли.
- Любые изменения, внесенные в компоненты и принадлежности.

■ Порядок гарантийного обслуживания

В течение 30-дневного периода Jungle Gym® бесплатно заменит дефектные изделия, при условии отправки дефектной детали для проверки с оплатой доставки получателем. Jungle Gym® возместит предоплаченные расходы по отправке детали. По истечении 30-дневного периода, возврат дефектных деталей осуществляется с оплатой доставки отправителем. Jungle Gym® отправит Вам замену с оплатой за счет получателя. Перед возвратом дефектной детали необходимо связаться с точкой продажи для предварительного согласования возврата. Никакие изделия не будут приняты без предварительного письменного одобрения от Jungle Gym®. Все возвраты должны сопровождаться датированным подтверждением покупки. В случае возврата дефектной детали в Jungle Gym®, необходимо обеспечить ее защиту от повреждений при перевозке.

■ обязанности клиента

- Обязанностью клиента является проведение регулярных проверок и обслуживания изделия для предотвращения его преждевременного износа. Процедура проверки и обслуживания описана в данной инструкции.
- Клиент должен принимать все меры для обеспечения безопасности детей.

Jungle Gym® отказывается от всех других представлений и гарантий, любого вида, явных или подразумеваемых, фактических или в силу закона, включая, без ограничения, подразумеваемую гарантию пригодности для продажи и подразумеваемую гарантию пригодности для определенной цели. Заявленное выше не затрагивает установленные законом права потребителя. Поскольку некоторые юрисдикции в некоторых странах не допускают применение сформулированных выше исключений или ограничений, они, в некоторых случаях могут быть неприменимы. Jungle Gym® оставляет за собой право вносить изменения в материалы и конструкцию без предварительного уведомления

040_805_LMW_ru_0100_20101018_n1A

VALMISTAJAN MYÖNTÄMÄ RAJOITETTU TAKUU

Normaalissa käytössä tätä tuotetta koskee Jungle Gym®:in myöntämä takuu tuotteen alkuperäiselle ostajalle 2 vuotta ajan ostopäivästä lukien. Takuuseen sovelletaan seuraavia ehtoja:

- Puutteet johtuvat materiaaliin tai valmistukseen liittyvistä virheistä.
- Käyttöohjeiden osien 1, 2 ja 3 ohjeisiin on tutustuttu ja niitä on noudatettu perusteellisesti.
- Tuotteita on käytetty ainoastaan leikkivälineiden rakentamiseen kotikäytössä.

■ Rajoitettu vastuu ei kata:

- Työvoimaa tai työvoimakustannuksia, jotka liittyvät virheellisen osan vaihtoon.
- Mitään satunnaisia tai seuraamusellisia vahinkoja.
- Vandalismin, huolimattomuuden, epäasianmukaisen käytön ja asennuksen, luonnollisen kulumisen, äärimmäisten sääolosuhteiden tai muiden poikkeavien olosuhteiden aiheuttamia vaurioita.
- Osien tai laitteiden muutoksia.

■ Takuukäsittely

Jungle Gym® vaihtaa viallisen tuotteen vaihtokorvikkeeksi 30 päivän kuluessa edellyttäen, että viallinen osa palautetaan tarkastusta varten rahti perillä-periaatteen mukaisesti. Jungle Gym® palauttaa osan rahtivapaasti. 30 päivän kuluessa viallinen osa voidaan palauttaa rahtivapaasti ja Jungle Gym® toimittaa osan lähettäjälle rahti perillä-periaatteen mukaisesti. Ostopaikkaan täytyy ottaa yhteyttä viallisen osan palauttamiseen liittyvän hyväksynnän saamiseksi. Alkuperäinen ostopaikka ei hyväksy tuotetta ilman Jungle Gym®:in edellyttävää ja hyväksyntänumeron sisältävää kirjallista suostumusta. Kaikkiin palautuksiin täytyy liittää päivätty ostitosite.

■ Asiakkaan vastuu

- Asiakkaan vastuulla on ennakoitujen tarkistusten ja huoltojen suorittaminen tuotteen ennaltaehkäisemiseksi.
- Kyseiset tarkastukset ja huollot on esitellyt käyttöohjeissa.
- Asiakkaan täytyy ryhtyä kaikkiin varotoimiin lasten turvallisuuden takaamiseksi.

Edellä esitetty ei vaikuta kuluttajan lainmukaisiin oikeuksiin. Koska joidenkin maiden lainsäädäntö ei hyväksy edellä esitettyjä poikkeuksia ja rajoituksia, niitä ei välttämättä voida soveltaa kaikissa tapauksissa.

Jungle Gym® pidättää oikeuden tehdä materiaaleja ja suunnittelua koskevia muutoksia ilman edeltävää ilmoitusta.

040_805_LMW_ru_0100_20101018_n1A

TILLVERKARENS BEGRÄNSADE GARANTI

Förutsatt att denna produkt används på normalt sätt lämnar Jungle Gym® garanti till den ursprungliga köparen under en period av 2 år från inköpsdagen med följande förutsättningar:

- Att dessa eventuella fel är att härröra till material- eller tillverkningsfel.
- Att både del 1, 2 och del 3 i våra instruktioner studerats noggrant och följts till punkt och pricka.
- Att produkten endast använts på det sätt den är avsedd för i ett enfamiljshem

■ Den begränsade garantin omfattar inte:

- Arbetet eller arbetskostnaden för att byta ut den defekta varan.
- Några som helst indirekta skador och följdskador.
- Delar skadade på grund av vandalisim, underlåtenhet, felaktig användning, felaktig montering, normal förlitning, extrema väderförhållanden eller andra onormala förhållanden.
- Några som helst ändringar av delar och tillbehör.

■ Garantiprocedur

Inom en 30-dagars period ersätter Jungle Gym® defekta delar utan kostnad förutsatt att de defekta delarna returneras för inspektion (mottagaren betalar frakten). Jungle Gym® returnerar delarna med frakten förbetald. Efter denna 30-dagars period kan defekta delar returneras med frakt förbetald och Jungle Gym® returnerar korrekta delar mot postförskott eller liknande. Kontakta alltid inköpsstället för att få tillåtelse att returnera de defekta delarna. Inga delar accepteras utan skriftligt godkännande från Jungle Gym® till platsen för det ursprungliga inköpet. Godkännandet ska innefatta ett godkännandenummer. Alla retur ska åtföljas av ett daterat inköpskvitto.

■ Kundens skyldigheter

- Kunden är skyldig att regelbundet kontrollera och underhålla produkten så att den inte slits ut i förtid. Kontroll och underhåll av produkten nämns i handbokens allmänna del.
- Kunden måste vidta alla säkerhetsåtgärder för att garantera barnens säkerhet.

Uttalandet ovan påverkar inte konsumentens lagstadgade rättigheter. Eftersom lagen i vissa länder inte tillåter uteslutningar eller begränsningar så som satta ovan kan det vara så att de inte är tillämpliga vid alla tillfällen.

Trädgårdsvirket som behövs och instruktioner för sågning.

040_805_LMW_sv_0100_20101018_n1A

ÜRETICILERIN LİMITLİ GARANTİSİ

Ürün, doğru kullanılması ve aşağıdaki koşulların yerine getirilmesi halinde Jungle Gym® tarafından satın alındığı tarihten itibaren 2 yıl boyunca garantilidir:

- Hata malzemenin veya üretimdeki bir aksaklıktan kaynaklanıyorsa,
- Kullanım klavuzununun 1., 2. ve 3. bölümleri eksiksiz anlaşılabilir ve uygulanmış ise,
- Ürün parçalarının sadece tek bir aile evinde/bahçesinde kullanılması üzere oyun seti yapılışında kullanılması halinde.

■ Limitli garanti aşağıdakileri kapsamaz:

- Hatalı ürünün işçiliği veya işçilik ücreti,
- Tesadüfi veya bağlantılı hasarlar,
- Şiddet, ihmâl, yanlış kullanım, normal aşınma, aşırı hava koşulları veya diğer anormal koşullar,
- Parçalara yapılmış herhangi bir modifikasyon.

■ Garanti prosedürü

Jungle Gym®, hatalı ürünün kontrol için geri gönderilmesi halinde (nakliye ücreti Jungle Gym® tarafından ödenecektir), bozuk ürünü ücretsiz olarak 30 gün içinde değiştirecektir. Jungle Gym® parçayı nakliye ücretini karşılayarak geri gönderecektir. Hatalı ürün, 30 gün geçtikten sonra gerigönderilirse, nakliye ücreti müşteri tarafından karşılanacaktır. Jungle Gym® ürünü geri gönderirken de nakliye ücretini karşılamayacaktır. Hatalı ürünün geri gönderilebilmesi için satın alınan yer ile iletişime geçilip onay alınması gereklidir. Onay numarasının da dahil edildiği yazılı onay olmadığı sürece Jungle Gym® hiçbir mali kabul etmeyecektir. İade edilen tüm ürünlerde onaylı satın alınma tarihinin de yazması gereklidir.

■ Müşterinin sorumlulukları

- Ürünün daha uzun kullanımabilmesini sağlamak için periyodik kontrolleri ve bakımı yapmak müşterinin sorumluluğudur. Kontrol ve bakımlar bu kullanım klavuzunda belirtilmiştir.
- Müşteri, çocukların güvenliğini sağlamak için tüm önlemleri almak zorundadır.

Yukarıdaki cümle, müşterinin yasal haklarını etkilemez. Bazı ülkelerdeki yargı makamları yukarıdaki limit ve kısıtlamaları kabul etmediği için, tüm davalarda geçerli sayılmazlar.

Jungle Gym® tüm malzeme ve tasarımlarda önceden bilgi vermeksizin değişiklik yapma hakkını saklı tutar.

040_805_LMW_tr_0100_20101018_n1A

メーカーの限定保証

本製品は、正常に使用され、下記の条件を満たす場合、ジャングルジムによって購入から2年未満、原購入者に対して保証されます:

- 欠陥が材料の欠陥または製造上の欠陥に起因すること
- 当社の取扱説明書の1, 2, 3部分の指示が完全に守られた場合
- 製品が単一の家庭の目的でプレイセットの構造に適した使用がなされた場合

■ 上記の限定保証は下記をカバーしません:

- 不良品の交換に必要とされる労力または労力のコスト
- 偶発的ないし間接的損害
- バンタリズム、不注意、不当な使用、不適切な設置、正常な損耗、異常気象または異常な状況に起因して損傷したもの
- ユニットの構造的な健全性に無関係な表面的な損傷
- 技術的に予想不可能または防止できないような色あせまたは軽微な傷は一般的に業界では許容されています。
- 製品に対する変更、またはジャングルジムが販売したものではない追加部品およびアクセサリ

■ 保証手続き

欠陥商品は30日間に限り無料でジャングルジムが交換します。ただし、欠陥商品は点検のために送料着払いで返品されることを条件とします。30日以降は、お客さまが送料を負担して返品し、ジャングルジムは送料着払いでお客さまに返送します。欠陥品の返品許可は、購入した店で入手してください。事前に返品許可(許可番号が記載されたもの)をジャングルジムが元々購入した店に与えていない商品は受取りを拒否されます。返品はすべて日付の入った購入証明が添付されなければなりません。欠陥品をジャングルジムに返品する場合は、部品が運送中に破損しないように保護してください。

■ お客さまの責任

- 製品が早期老化を発生しないように、定期的に点検とメンテナンスを実施することはお客さまの責任です。点検とメンテナンスは本説明書に記載されています。
- お客さまはお子さまの安全を守るべくあらゆる注意を払うものとします。

ジャングルジムはあらゆる種類の明示的または暗示的な、事実状のまたは法律上の、上記以外の表明および保証を拒否し、それには、無制限に、商品性に関する黙示の保証および特定の目的に対する黙示の保証を含むものとします。

上記の叙述はお客さまの制定法上の権利に影響を及ぼすものではありません。一部の国の裁判権は、上述のような除外または限定を許さないため、上記の叙述はすべての場合に適用されるわけではありません。

ジャングルジムは材料および設計を事前に通知することなく変更する権利を保留します。

040_805_LMW_jp_0100_20101018_n1A

